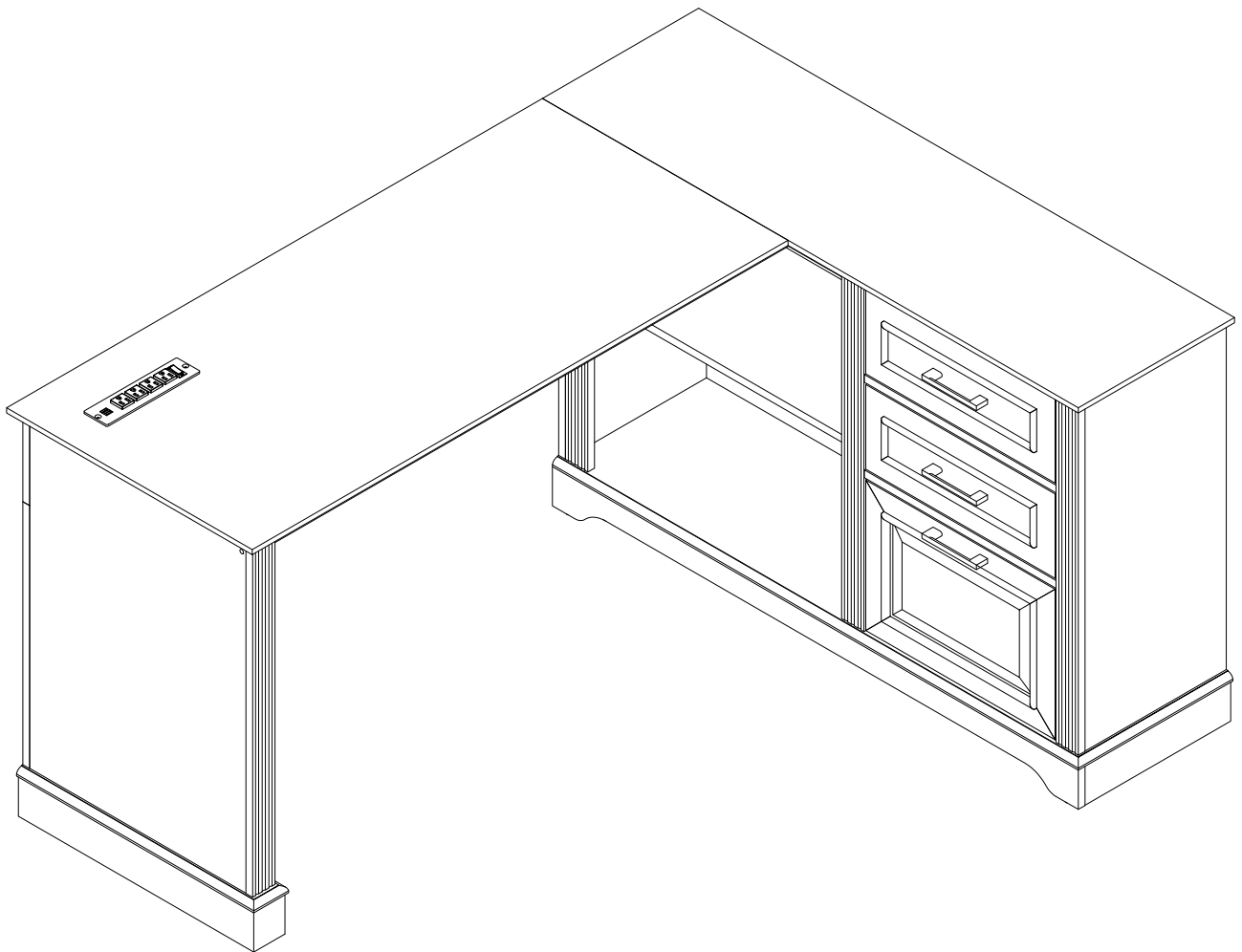
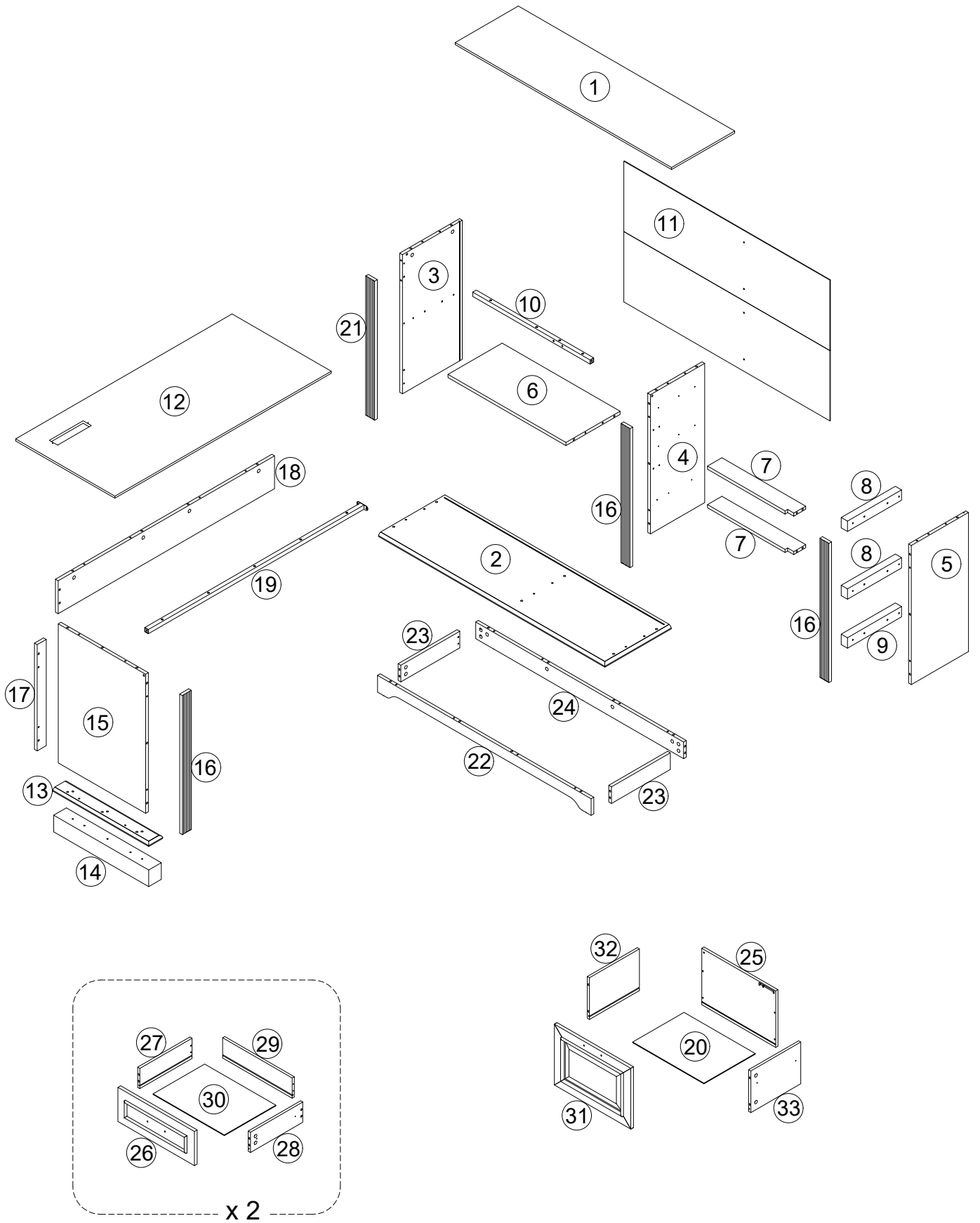






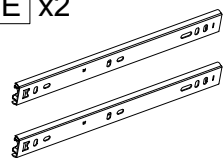
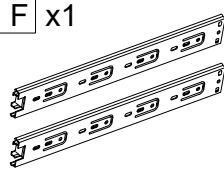
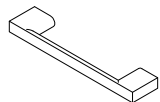


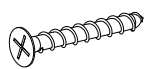

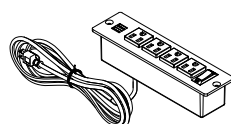


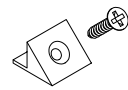
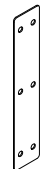
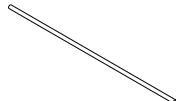
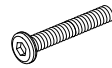

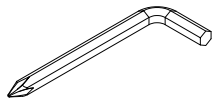
# Computer Desk

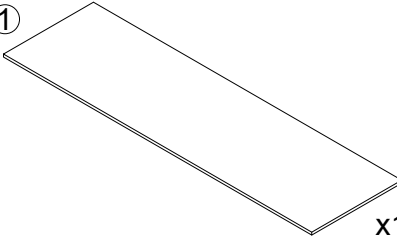
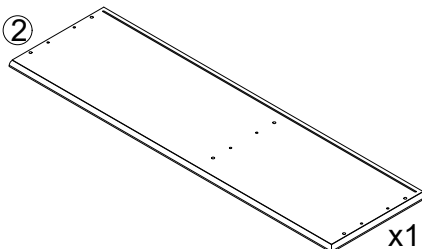

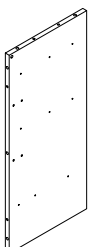
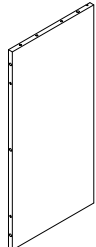
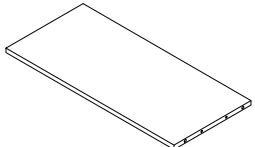
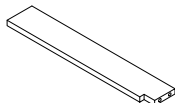
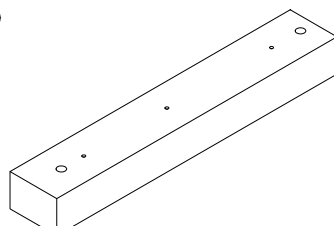
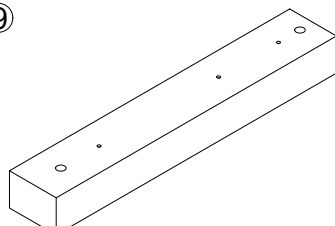


# ASSEMBLY INSTRUCTIONS

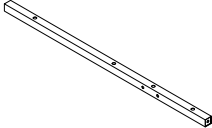
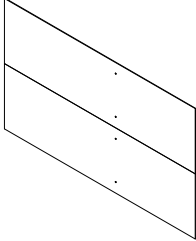
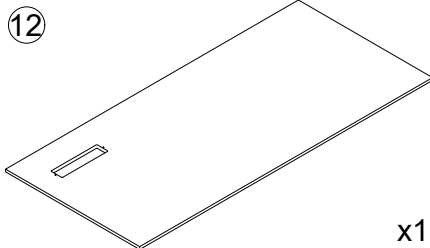
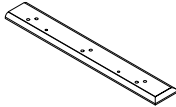
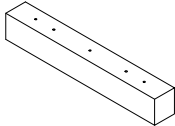
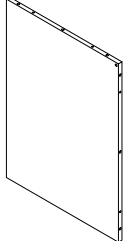
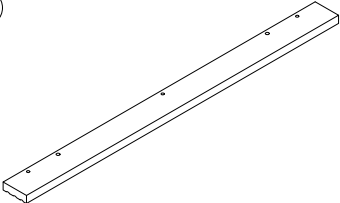

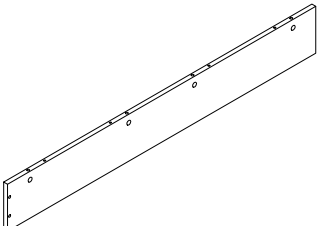
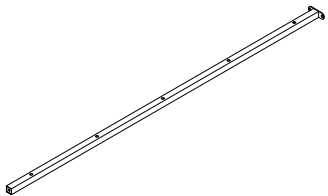
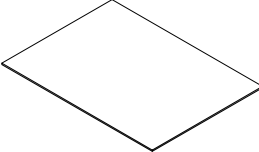
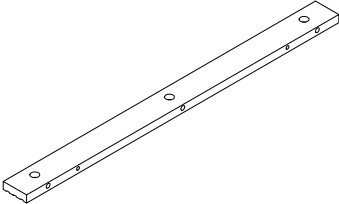
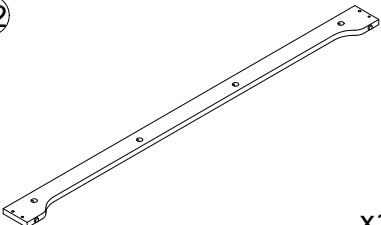
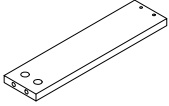
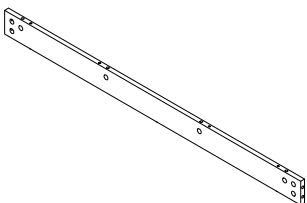
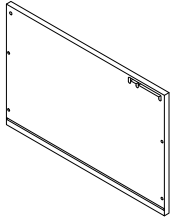
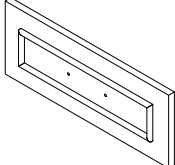
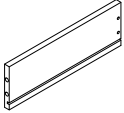
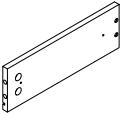
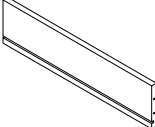
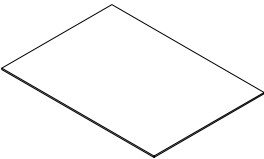


# ASSEMBLY INSTRUCTIONS

<p><b>A</b> x65+2</p>  <p>Ø6x35mm</p>	<p><b>B</b> x65+2</p>  <p>Ø15x10mm</p>	<p><b>C</b> x52+2</p>  <p>Ø7.8x30mm</p>	<p><b>D</b> x16+2</p>  <p>Ø7x38mm</p>	<p><b>E</b> x2</p>  <p>L=285mm</p>
<p><b>F</b> x1</p>  <p>L=290mm</p>	<p><b>G</b> x3</p> 	<p><b>H</b> x6+2</p>  <p>M4x18mm</p>	<p><b>I</b> x12</p> 	<p><b>J</b> x18+2</p>  <p>Ø8xØ4x35mm</p>
<p><b>K</b> x32+2</p>  <p>Ø7xØ3.5x12mm</p>	<p><b>L</b> x1</p> 	<p><b>M</b> x12+2</p>  <p>Ø8xØ4x12mm</p>	<p><b>N</b> x9+1</p>  <p>M6x30mm</p>	<p><b>O</b> x12</p> 
<p><b>P</b> x1</p> 	<p><b>Q</b> x2</p> 	<p><b>R</b> x3+1</p>  <p>M6x45mm</p>	<p><b>S</b> x2+1</p>  <p>M6x12mm</p>	

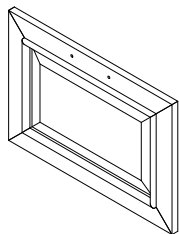
<p>①</p>  <p>x1</p>	<p>②</p>  <p>x1</p>	<p>③</p>  <p>x1</p>
<p>④</p>  <p>x1</p>	<p>⑤</p>  <p>x1</p>	<p>⑥</p>  <p>x1</p>
<p>⑦</p>  <p>x2</p>	<p>⑧</p>  <p>x2</p>	<p>⑨</p>  <p>x1</p>

# ASSEMBLY INSTRUCTIONS

<p>⑩</p>  <p>x1</p>	<p>⑪</p>  <p>x1</p>	<p>⑫</p>  <p>x1</p>
<p>⑬</p>  <p>x1</p>	<p>⑭</p>  <p>x1</p>	<p>⑮</p>  <p>x1</p>
<p>⑯</p>  <p>x3</p>	<p>⑰</p>  <p>x1</p>	<p>⑱</p>  <p>x1</p>
<p>⑲</p>  <p>x1</p>	<p>⑳</p>  <p>x1</p>	<p>㉑</p>  <p>x1</p>
<p>㉒</p>  <p>x1</p>	<p>㉓</p>  <p>x2</p>	<p>㉔</p>  <p>x1</p>
<p>㉕</p>  <p>x1</p>	<p>㉖</p>  <p>x2</p>	<p>㉗</p>  <p>x2</p>
<p>㉘</p>  <p>x2</p>	<p>㉙</p>  <p>x2</p>	<p>㉚</p>  <p>x2</p>

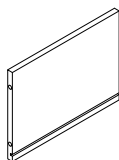
# ASSEMBLY INSTRUCTIONS

31



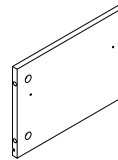
x1

32



x1

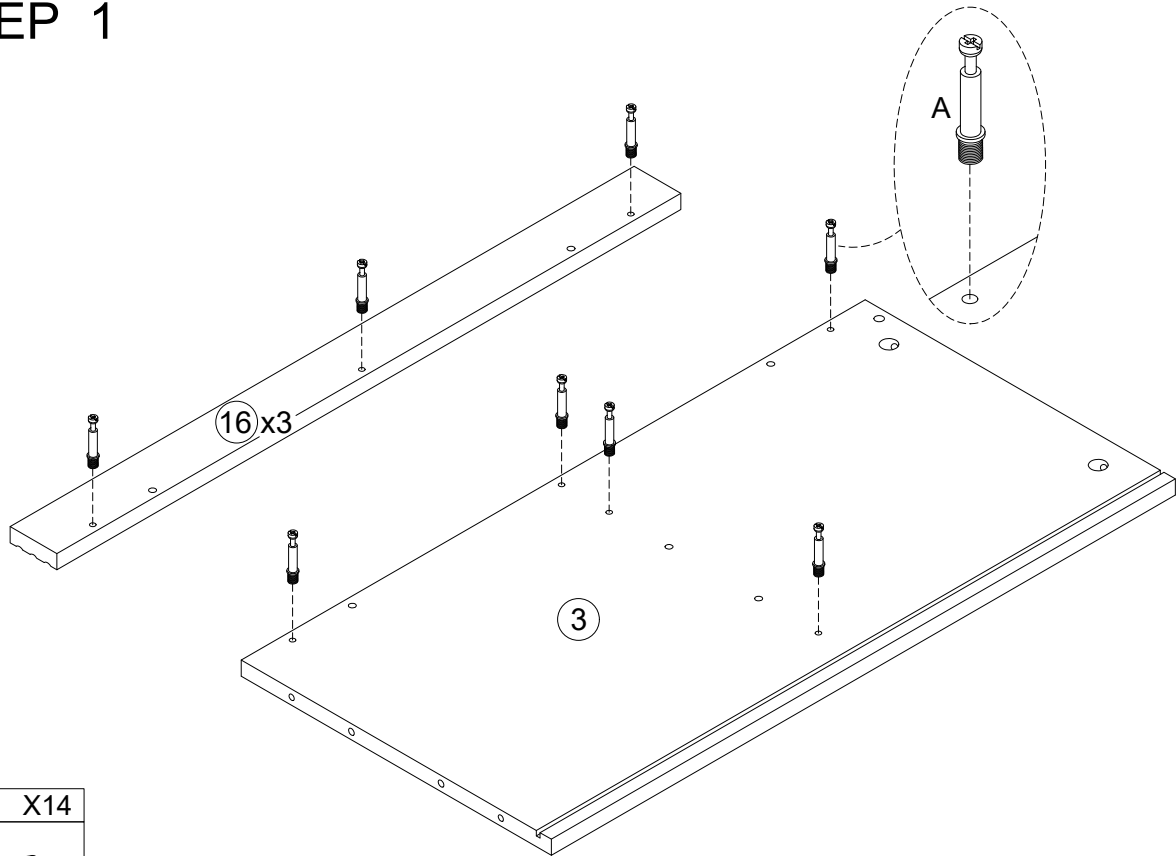
33

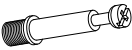


x1

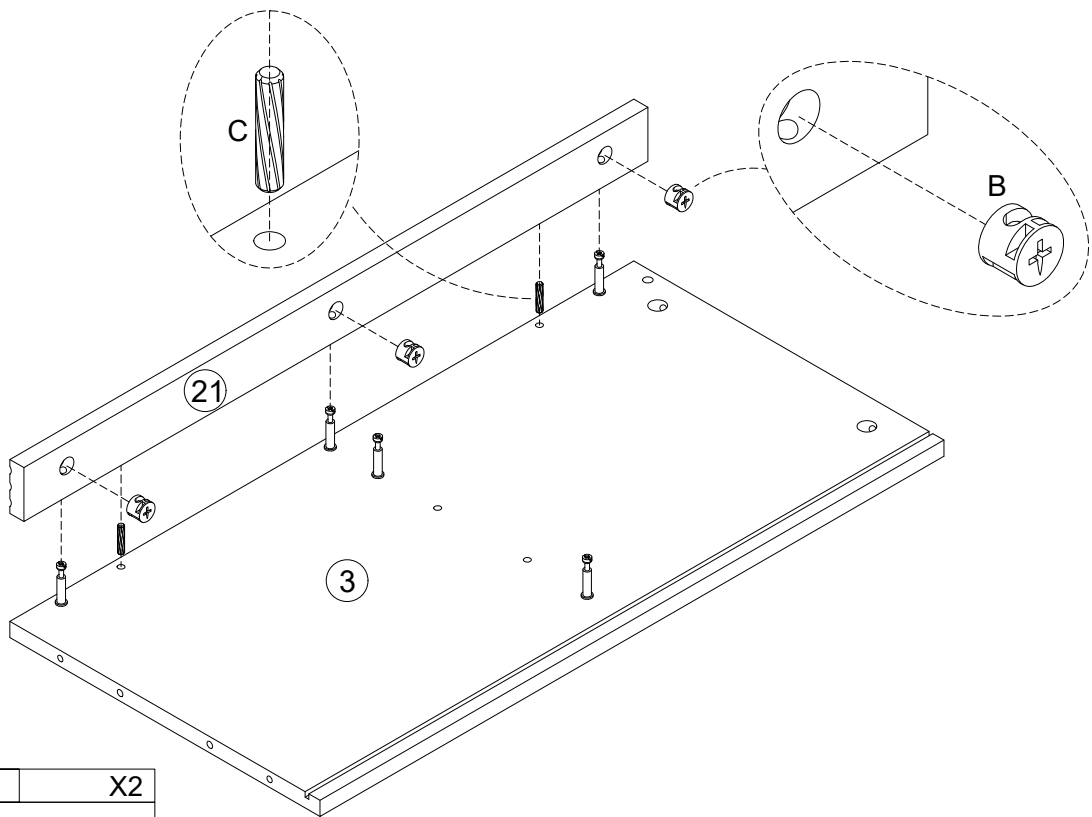
# INSTALLATION INSTRUCTION


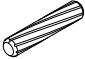
## STEP 1



A	X14
	
Ø6x35mm	

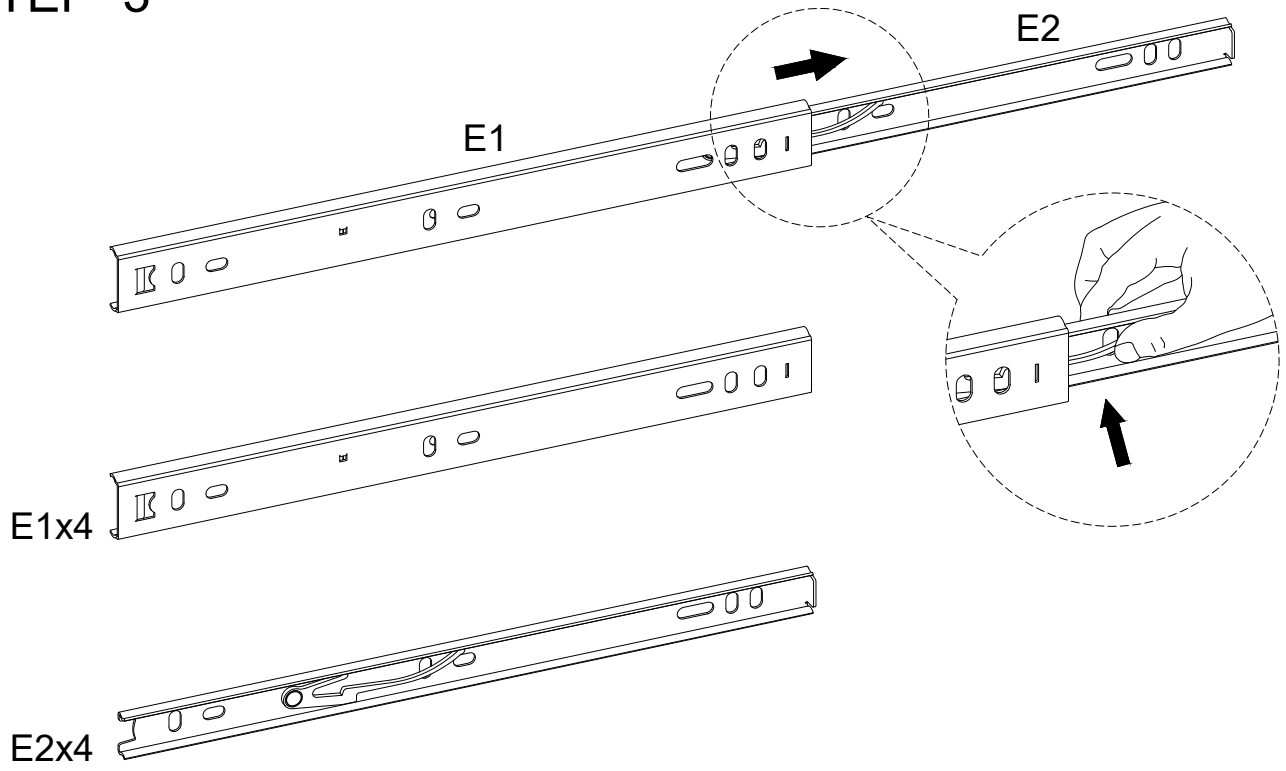
## STEP 2



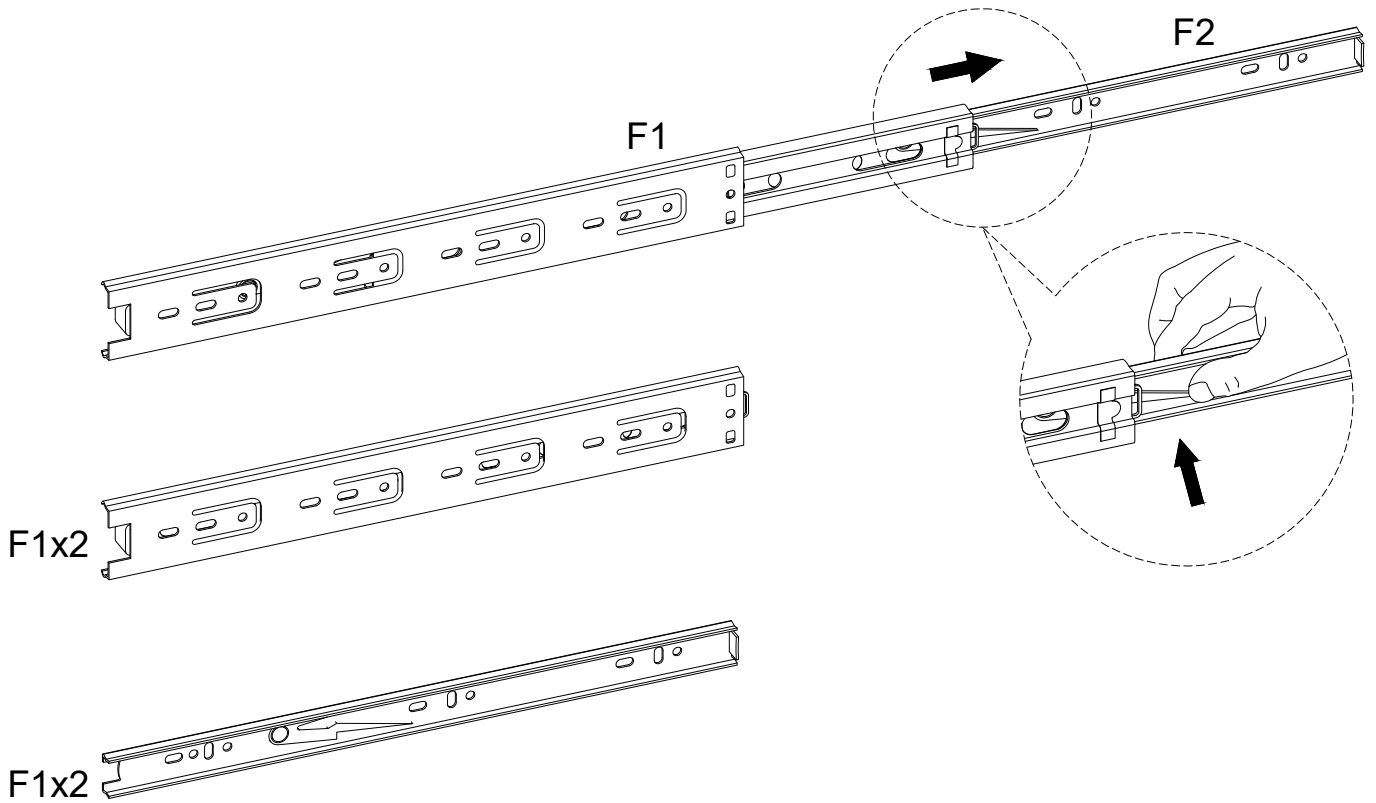
B	X3	C	X2
			
Ø15x10mm		Ø7.8x30mm	

# INSTALLATION INSTRUCTION

## STEP 3

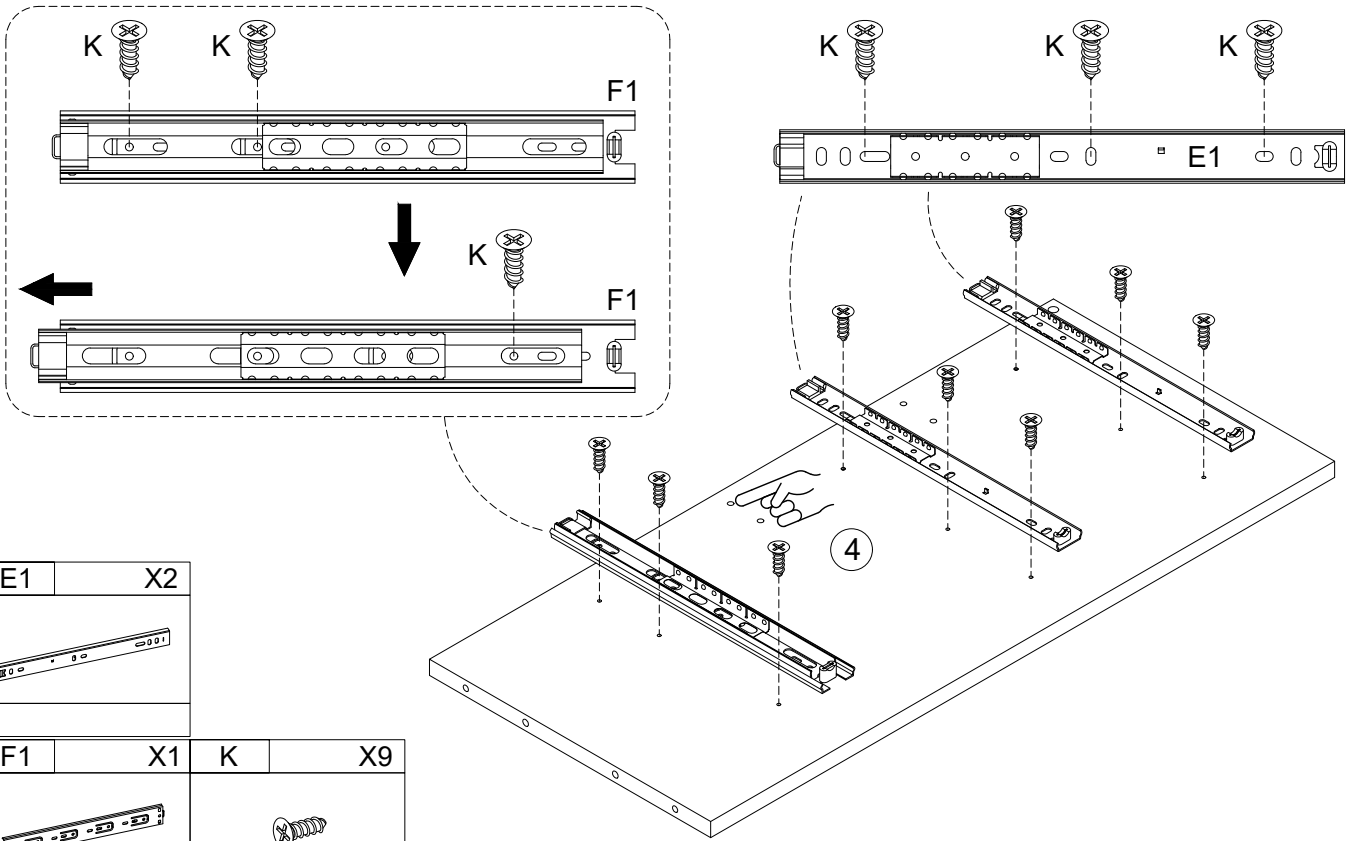


## STEP 4



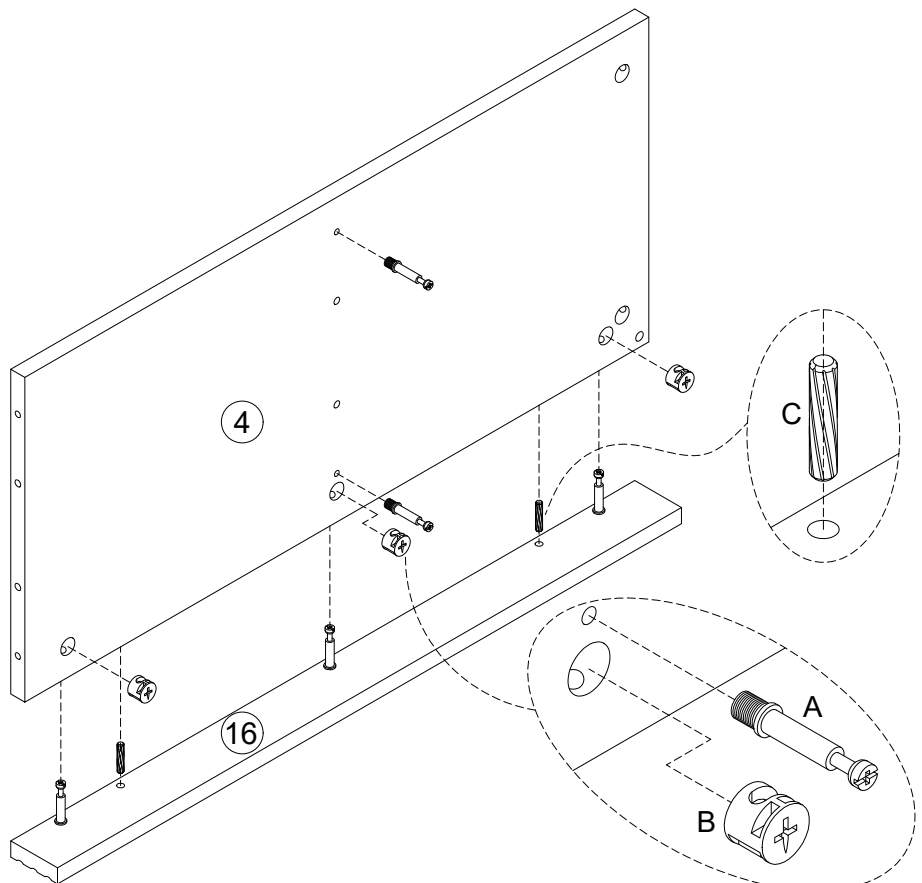
# INSTALLATION INSTRUCTION

## STEP 5



E1	X2		
F1	X1	K	X9
		Ø7xØ3.5x12mm	

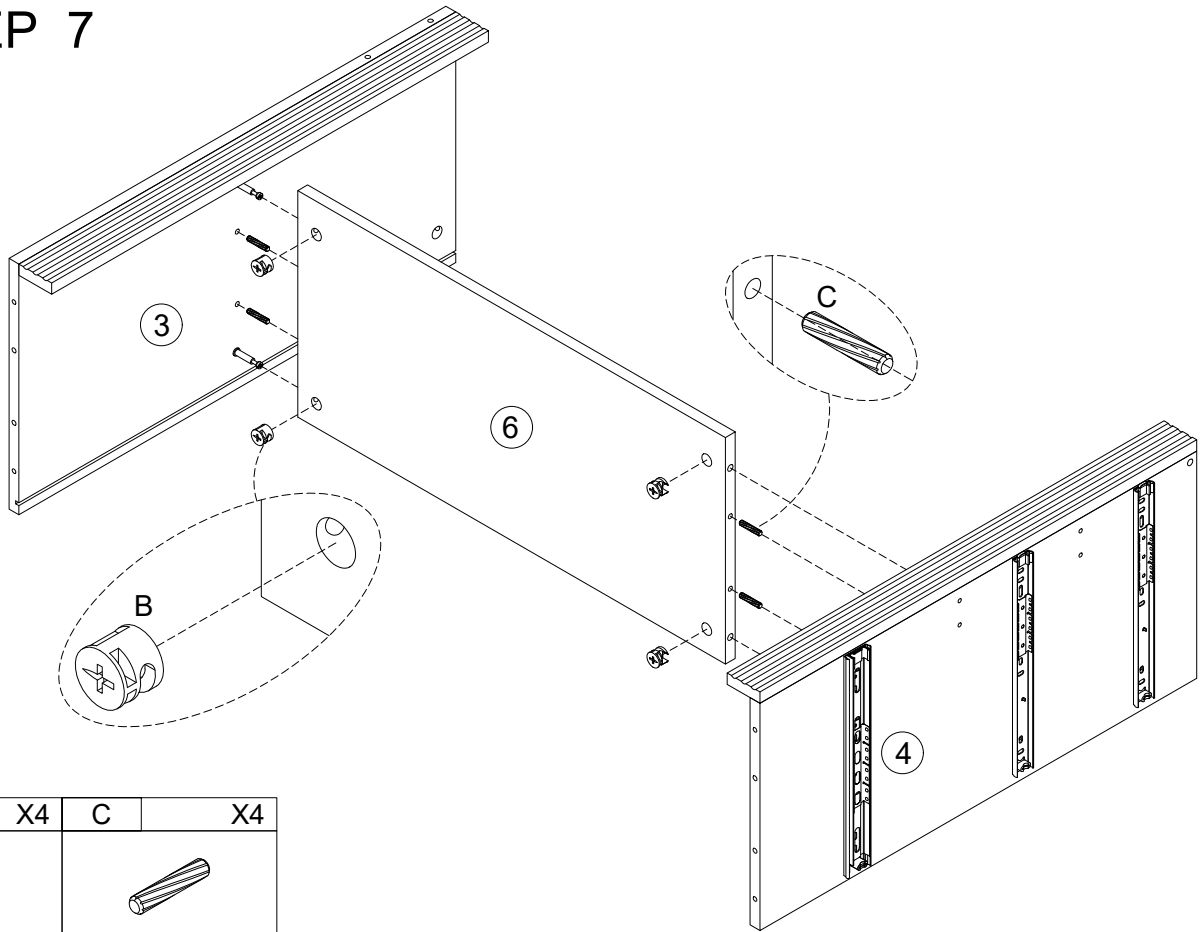
## STEP 6


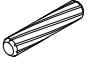


A	X2		
Ø6x35mm			
B	X3	C	X2
Ø15x10mm		Ø7.8x30mm	

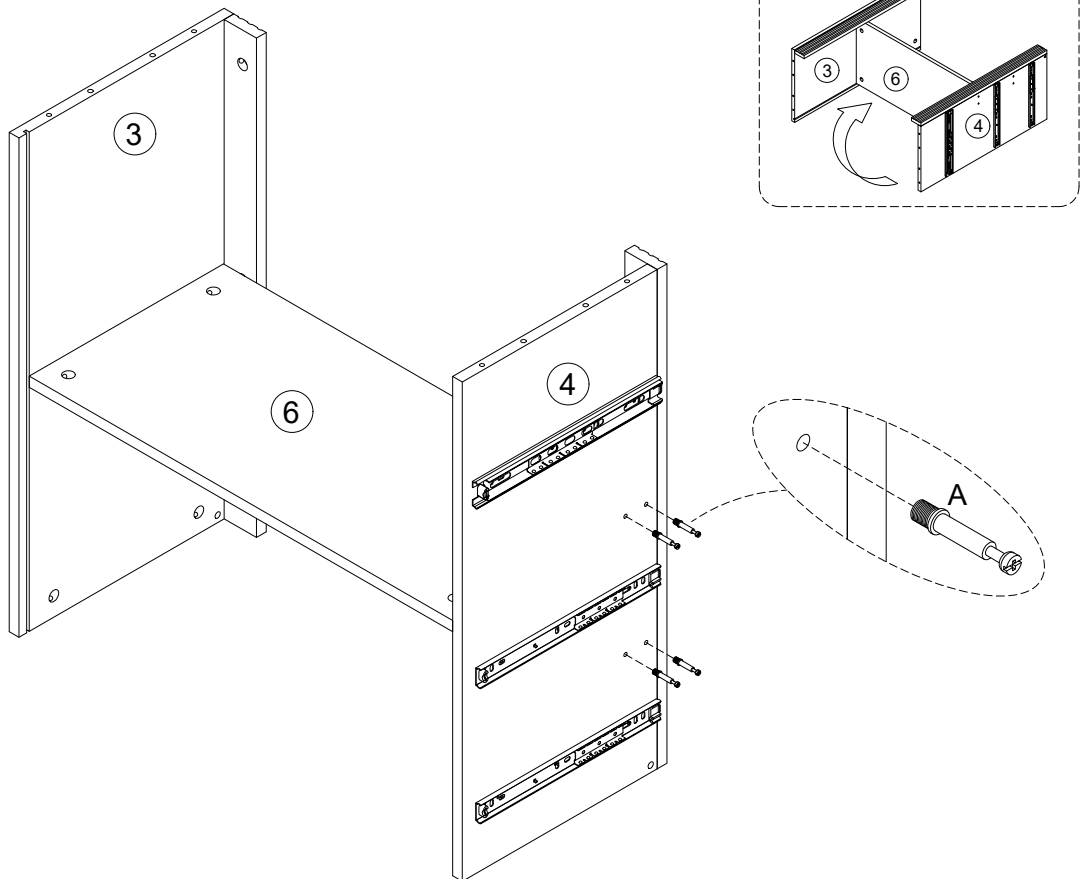
# INSTALLATION INSTRUCTION

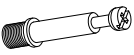
## STEP 7



B	X4	C	X4
			
Ø15x10mm		Ø7.8x30mm	

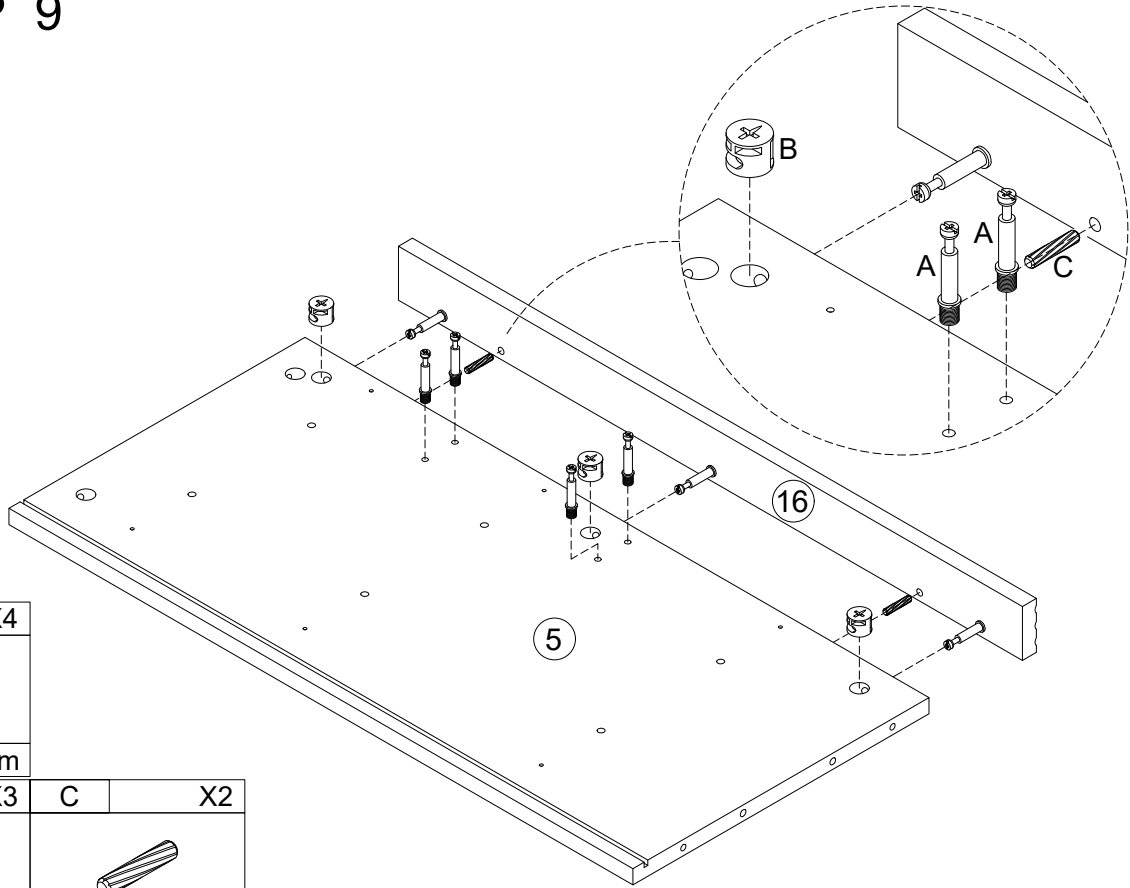
## STEP 8

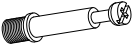

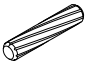


A	X4
	
Ø6x35mm	

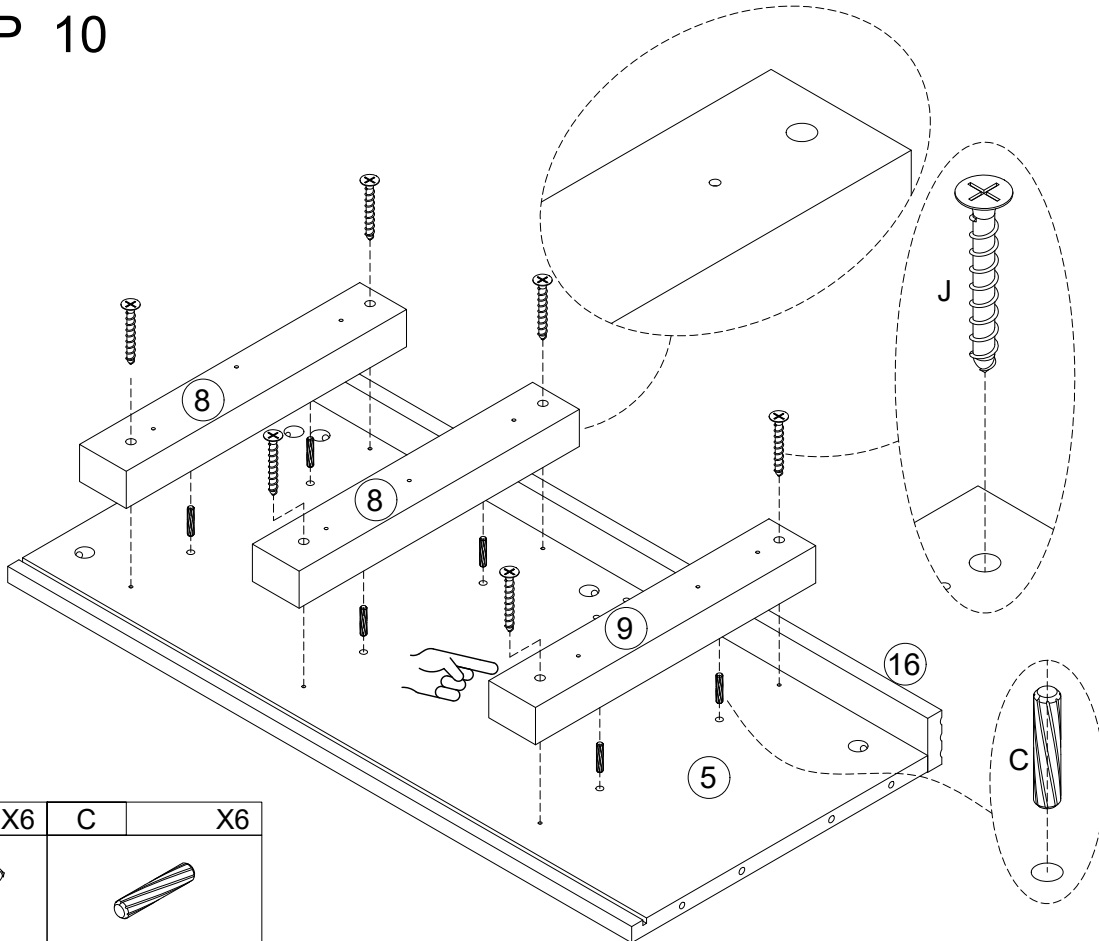
# INSTALLATION INSTRUCTION

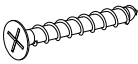
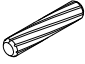
## STEP 9



A	X4		
			
Ø6x35mm			
B	X3	C	X2
			
Ø15x10mm		Ø7.8x30mm	

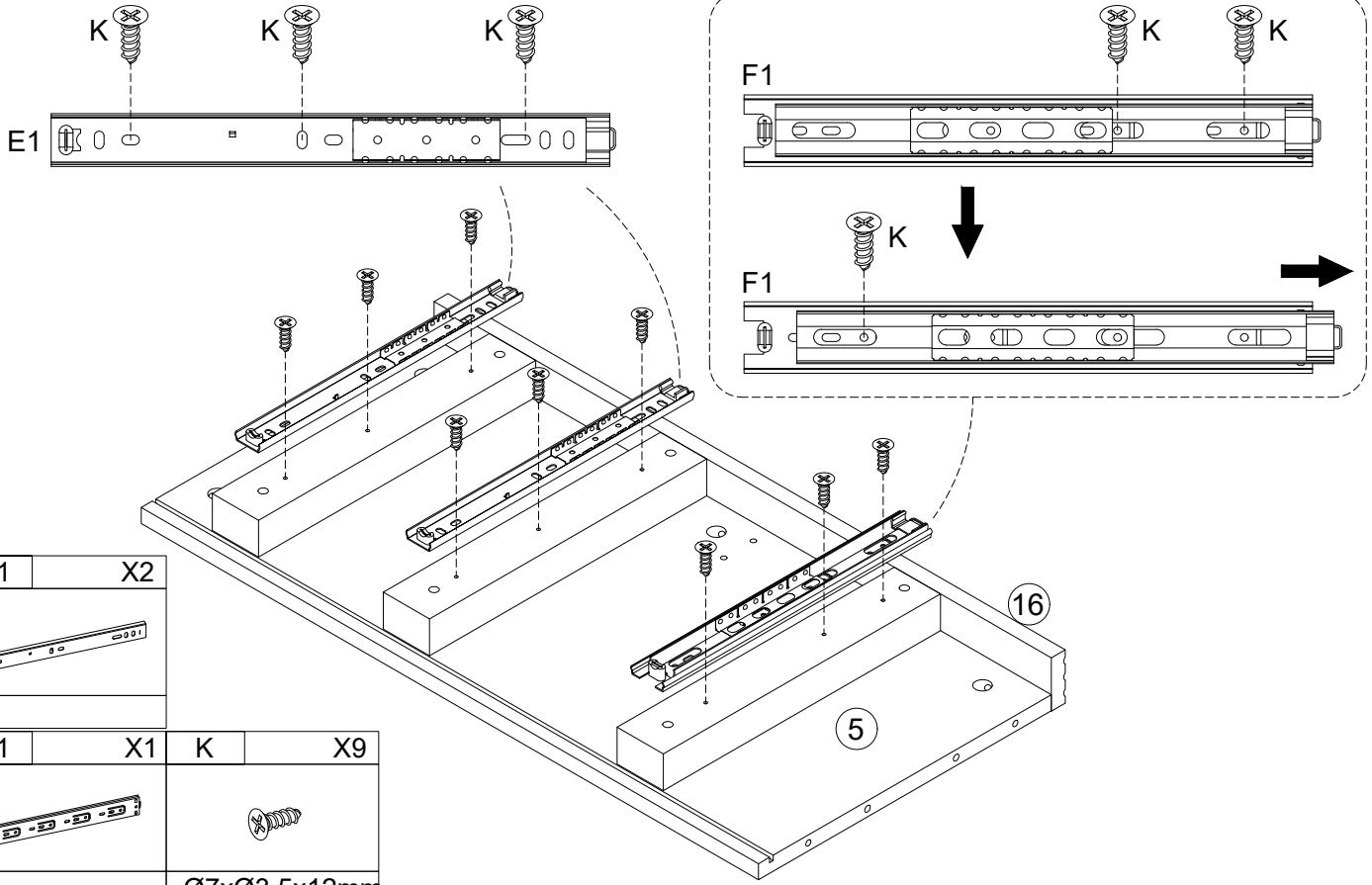
## STEP 10



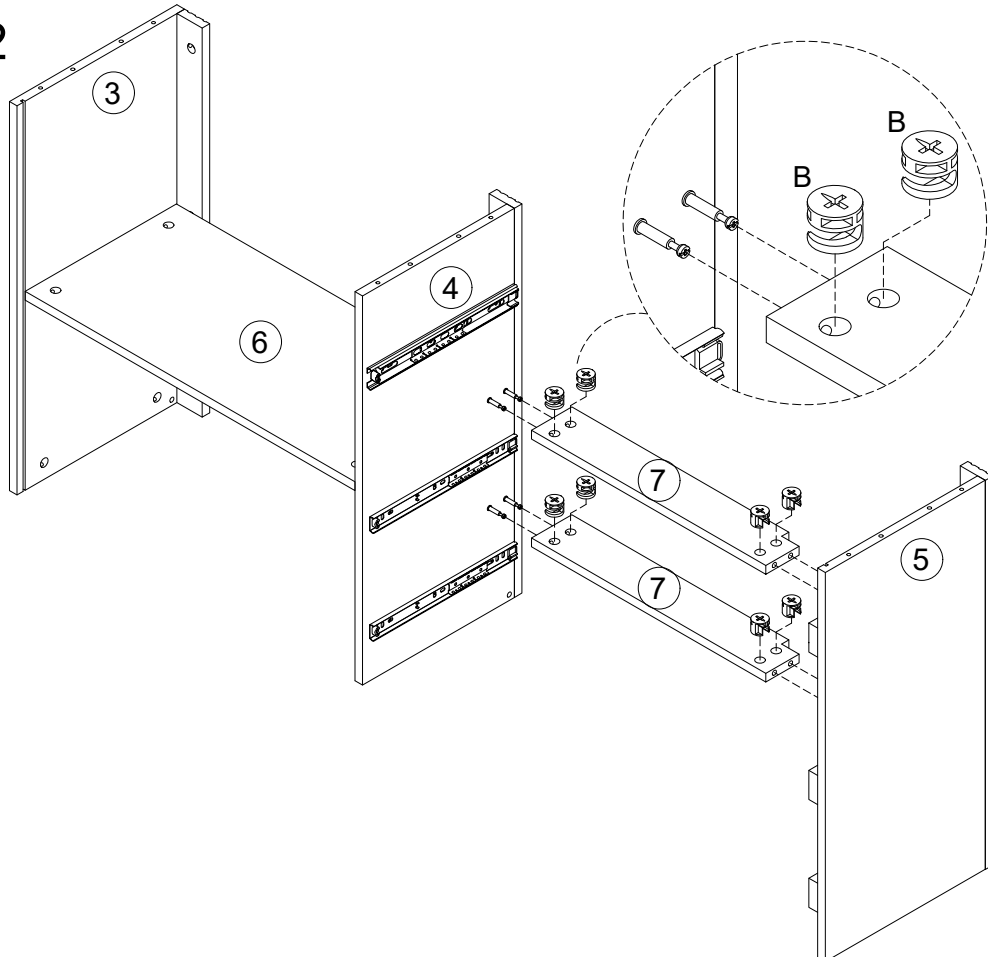
J	X6	C	X6
			
Ø8xØ4x35mm		Ø7.8x30mm	

# INSTALLATION INSTRUCTION

## STEP 11

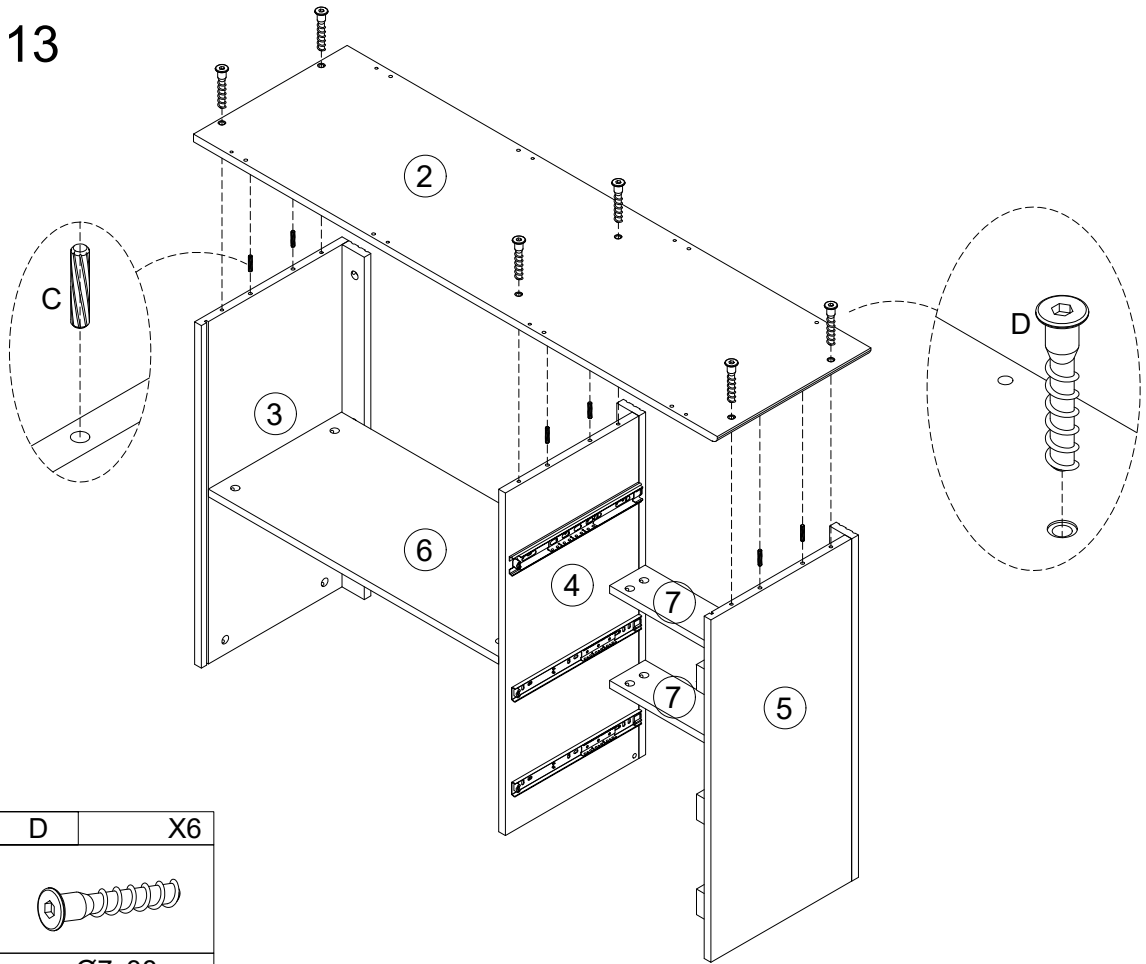


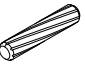

## STEP 12



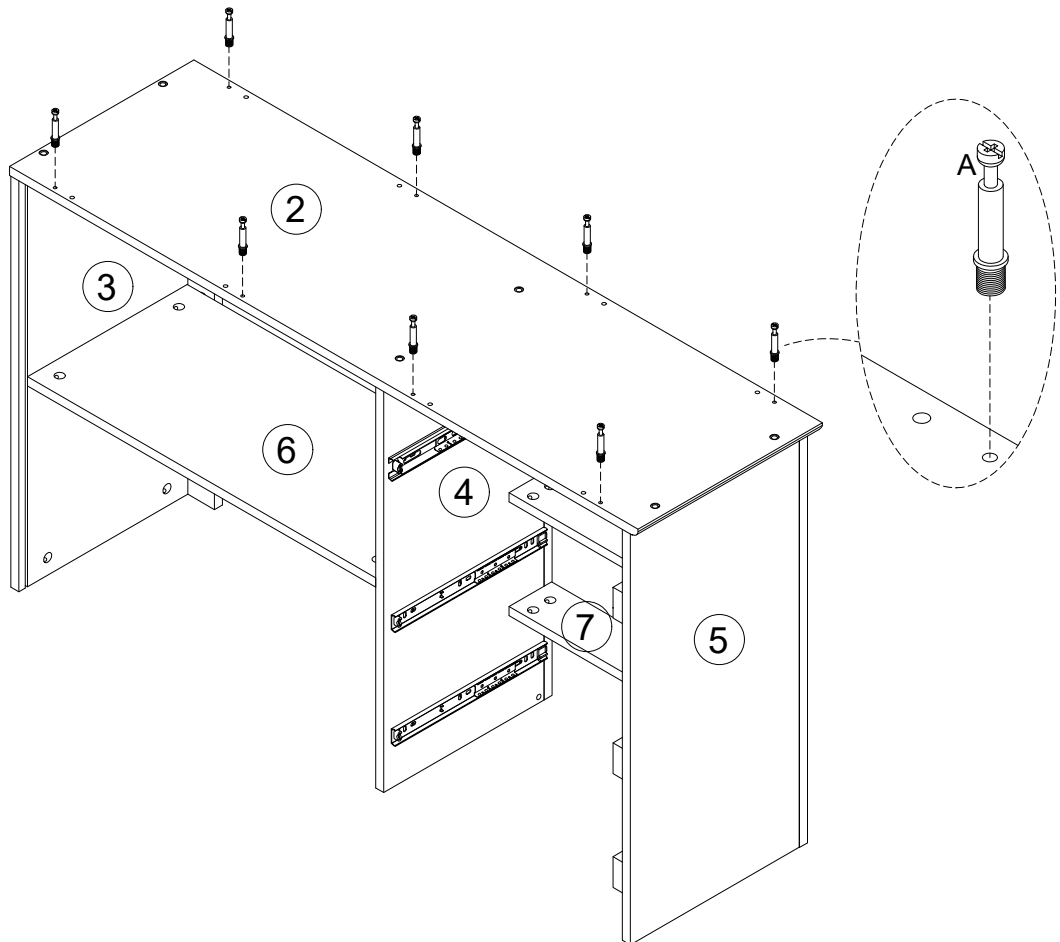
# INSTALLATION INSTRUCTION

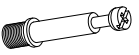
## STEP 13



C	X6	D	X6
			
Ø7.8x30mm		Ø7x38mm	

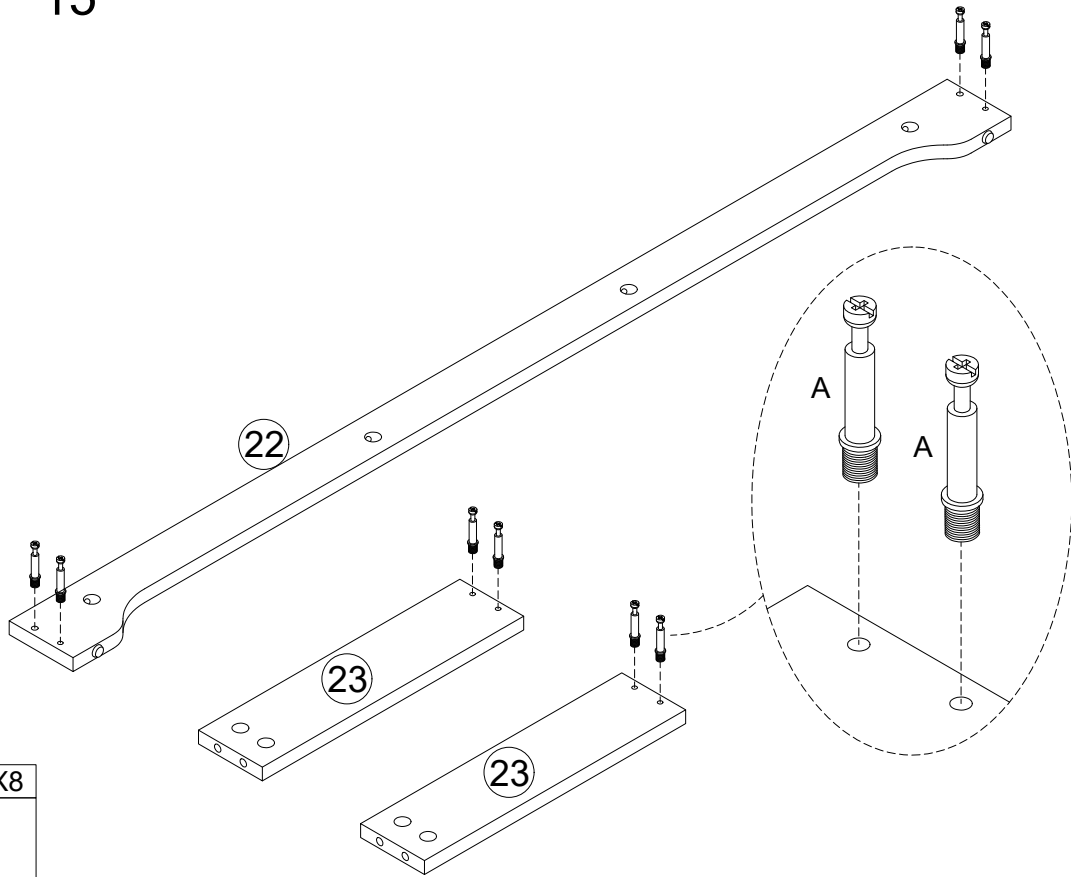
## STEP 14

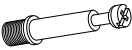


A	X8
	
Ø6x35mm	

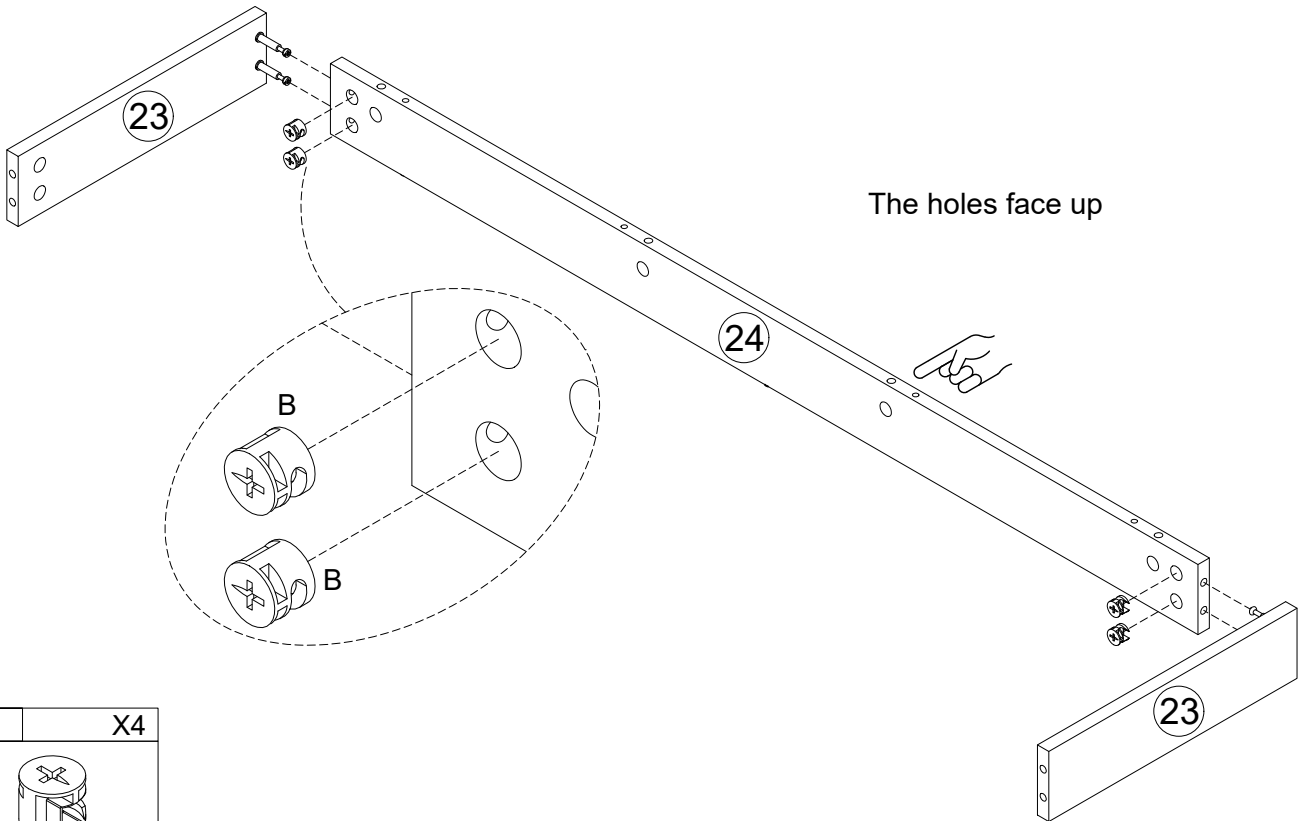
# INSTALLATION INSTRUCTION


## STEP 15



A	X8
	
Ø6x35mm	

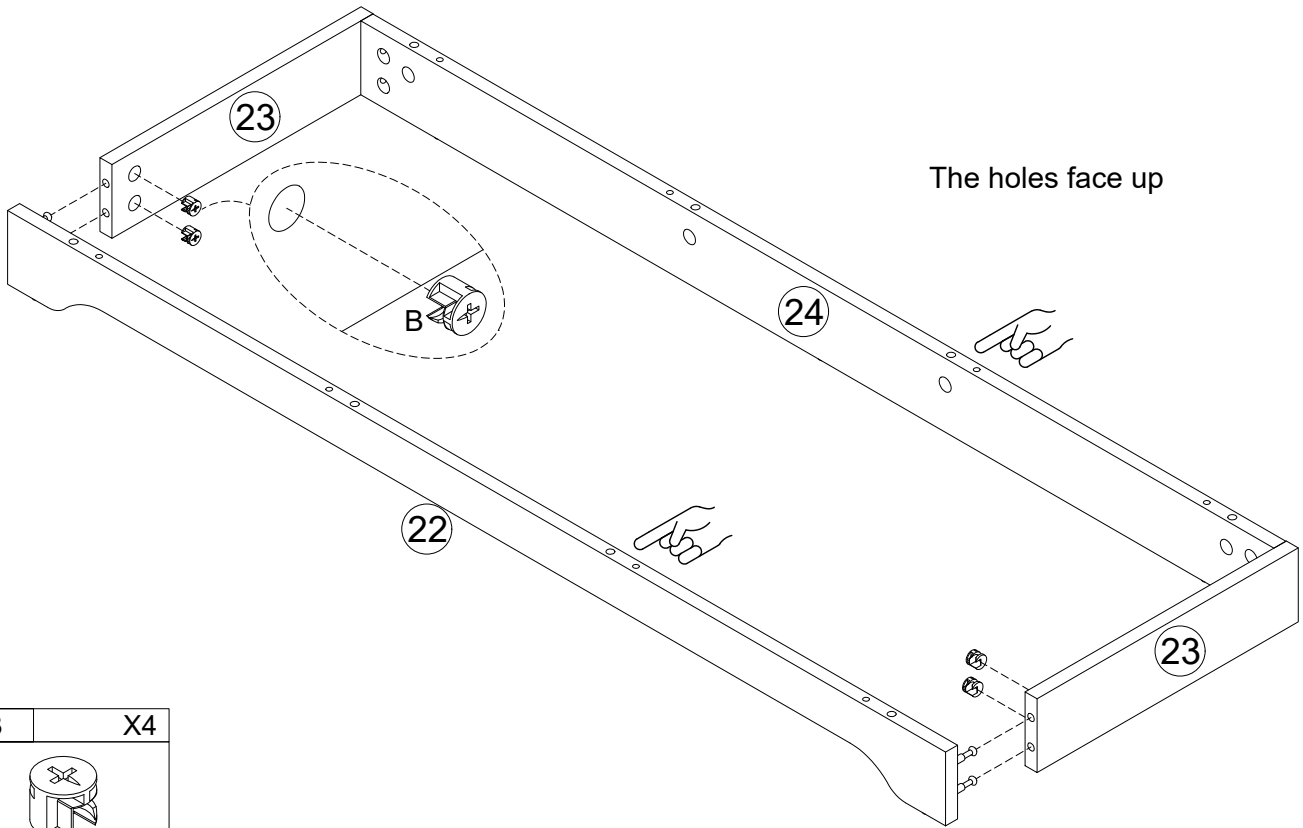
## STEP 16




B	X4
	
Ø15x10mm	

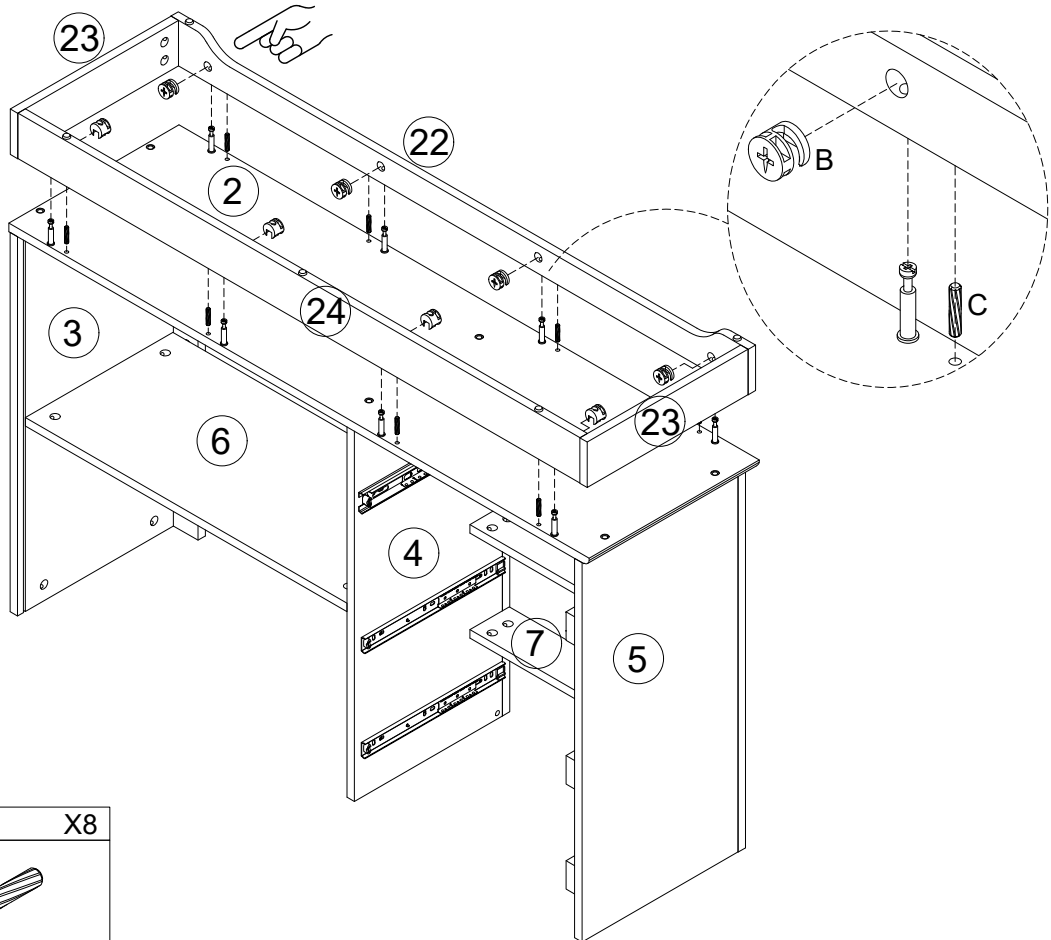
# INSTALLATION INSTRUCTION


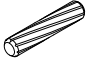
## STEP 17



B	X4
	
Ø15x10mm	

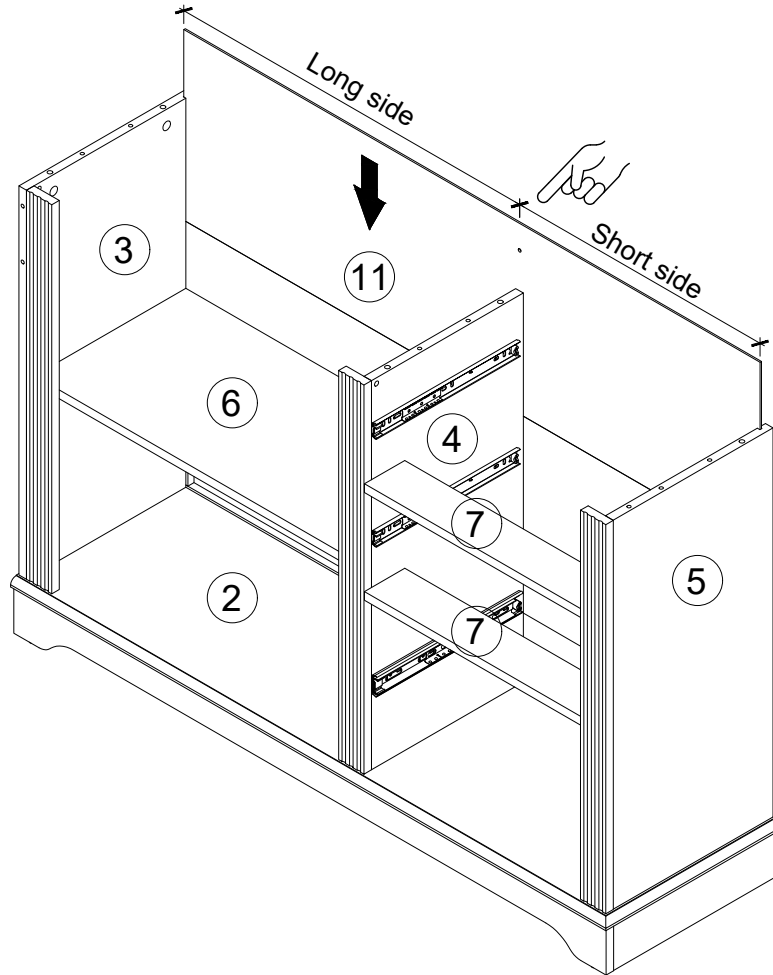
## STEP 18



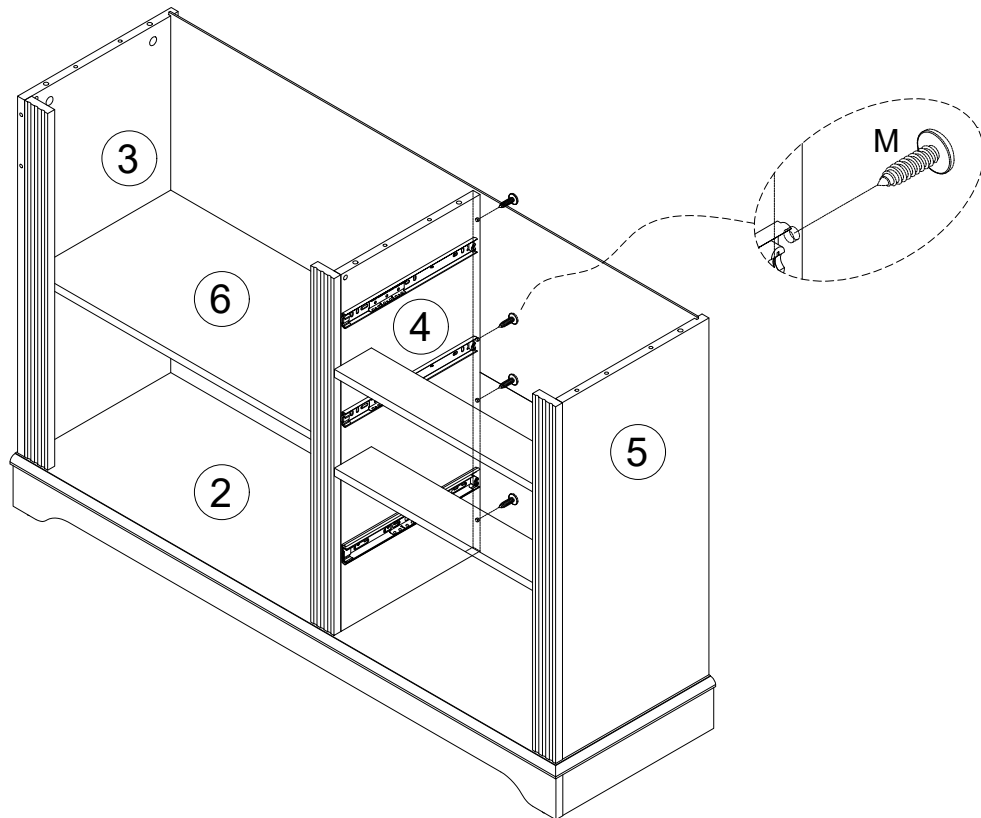
B	X8	C	X8
			
Ø15x10mm		Ø7.8x30mm	


# INSTALLATION INSTRUCTION

## STEP 19



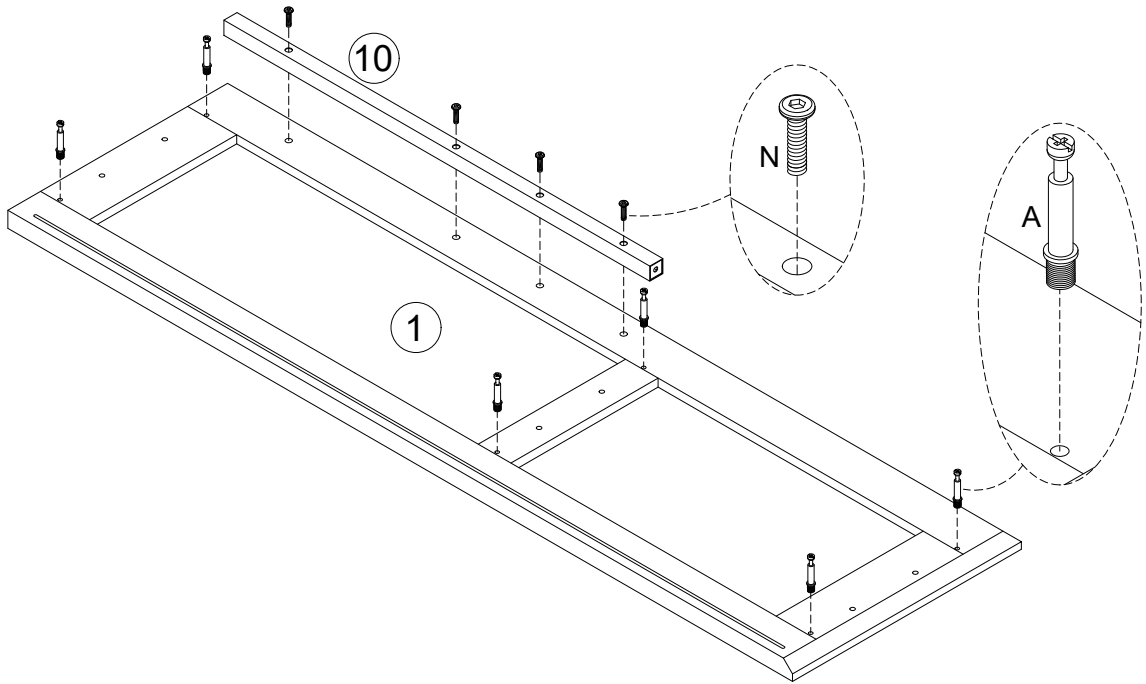
## STEP 20

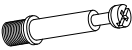



M	X4
	
Ø8xØ4x12mm	

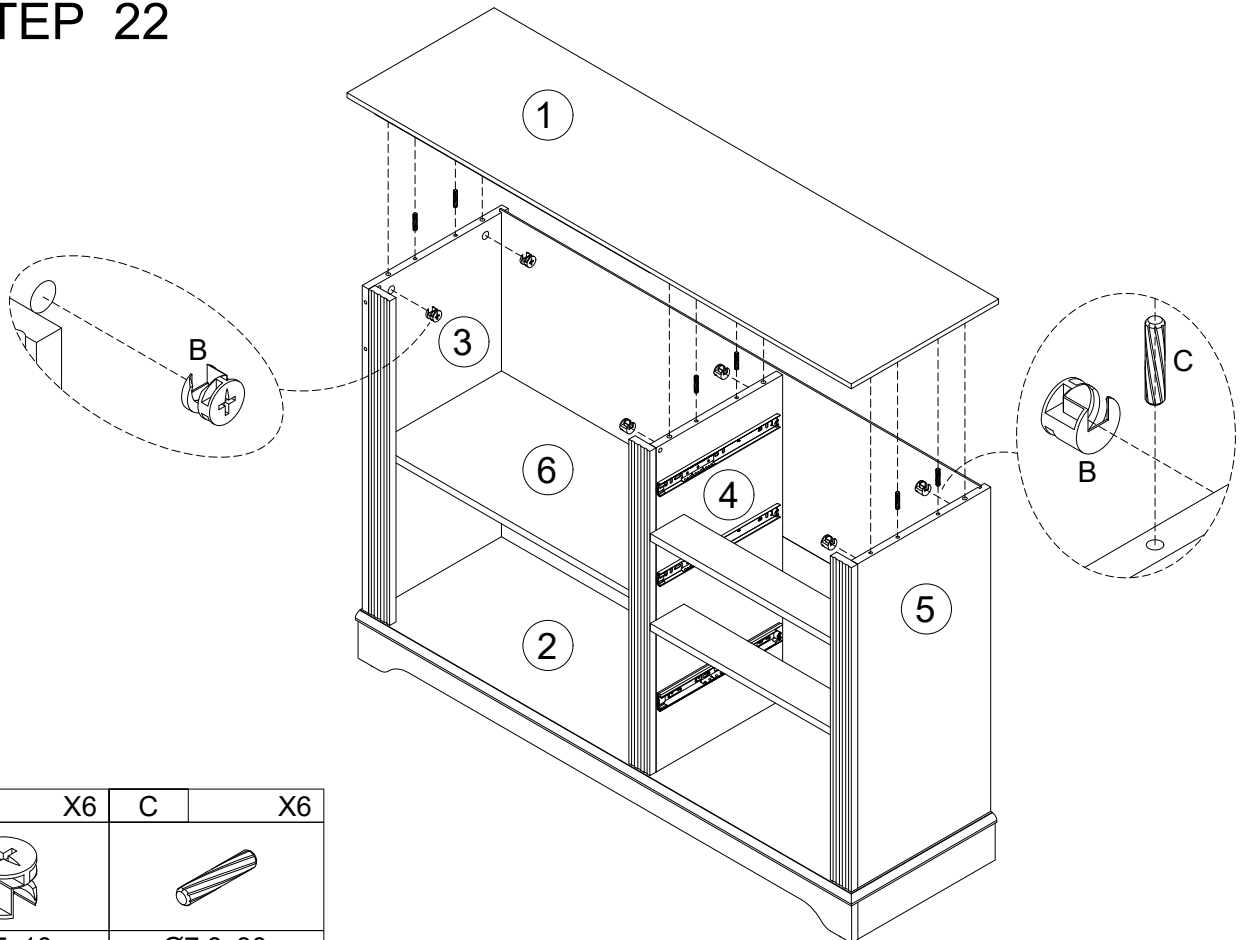
# INSTALLATION INSTRUCTION


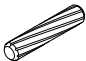
## STEP 21



A	X6	N	X4
			
Ø6x35mm		M6x30mm	

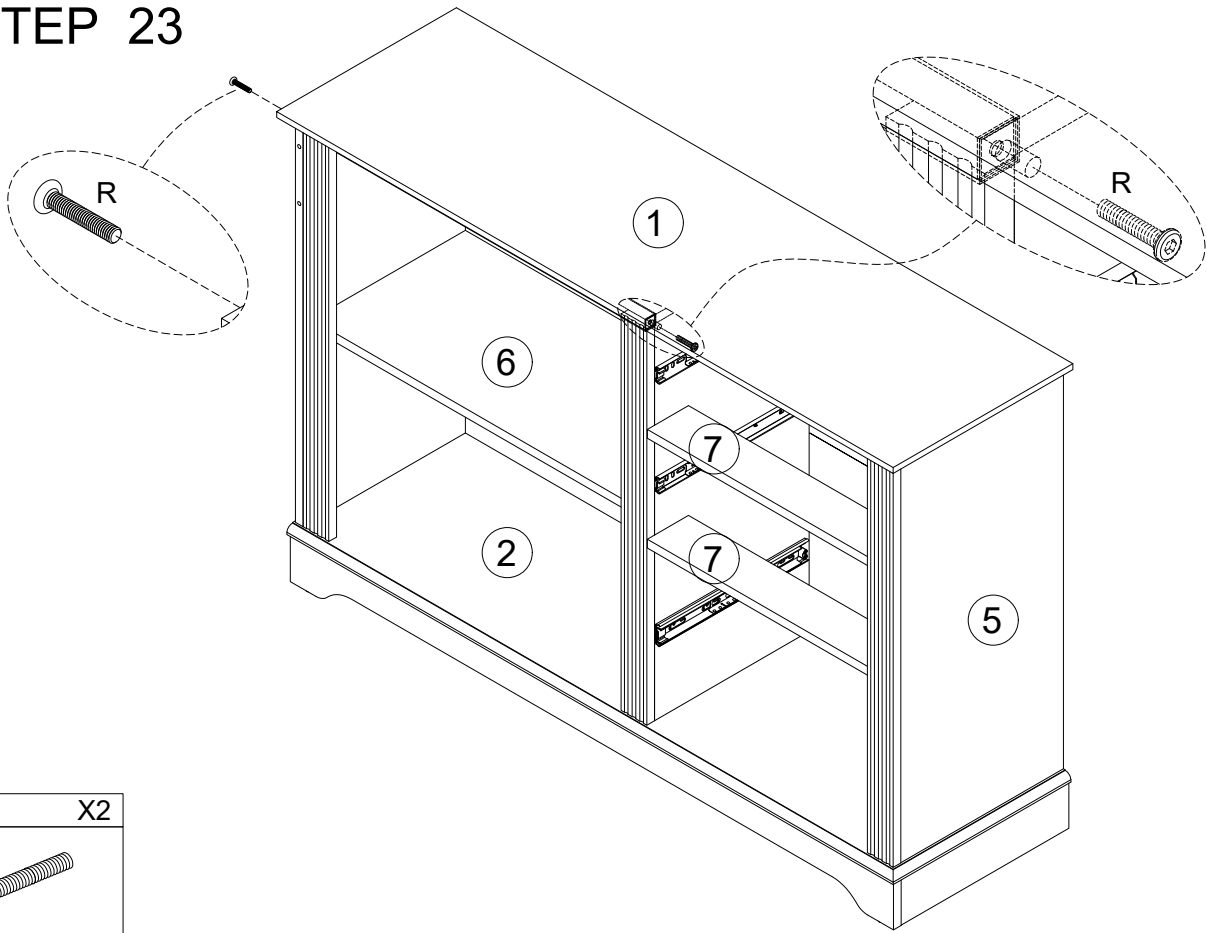
## STEP 22

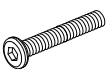


B	X6	C	X6
			
Ø15x10mm		Ø7.8x30mm	

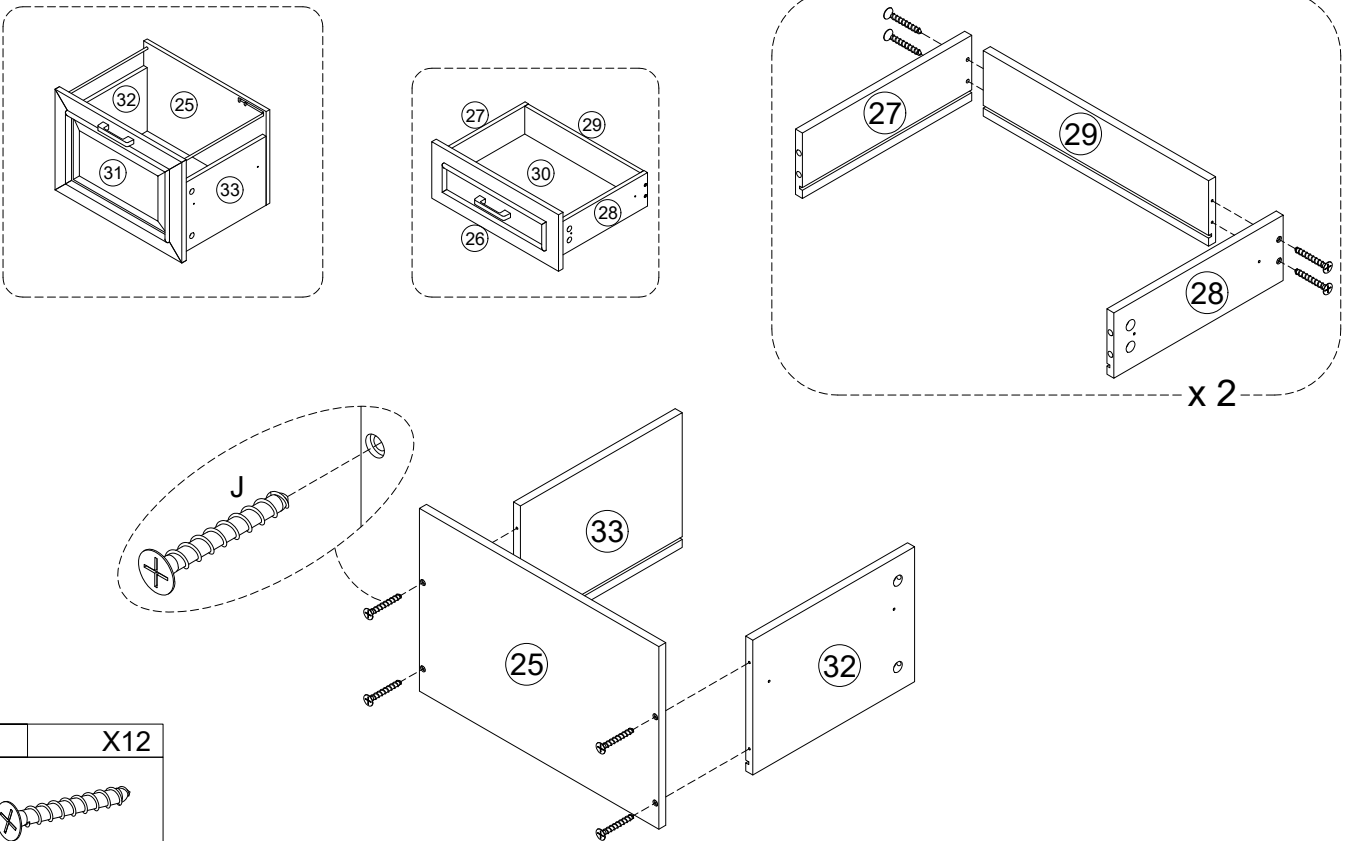
# INSTALLATION INSTRUCTION

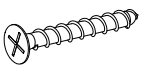
## STEP 23



R	X2
	
M6x45mm	

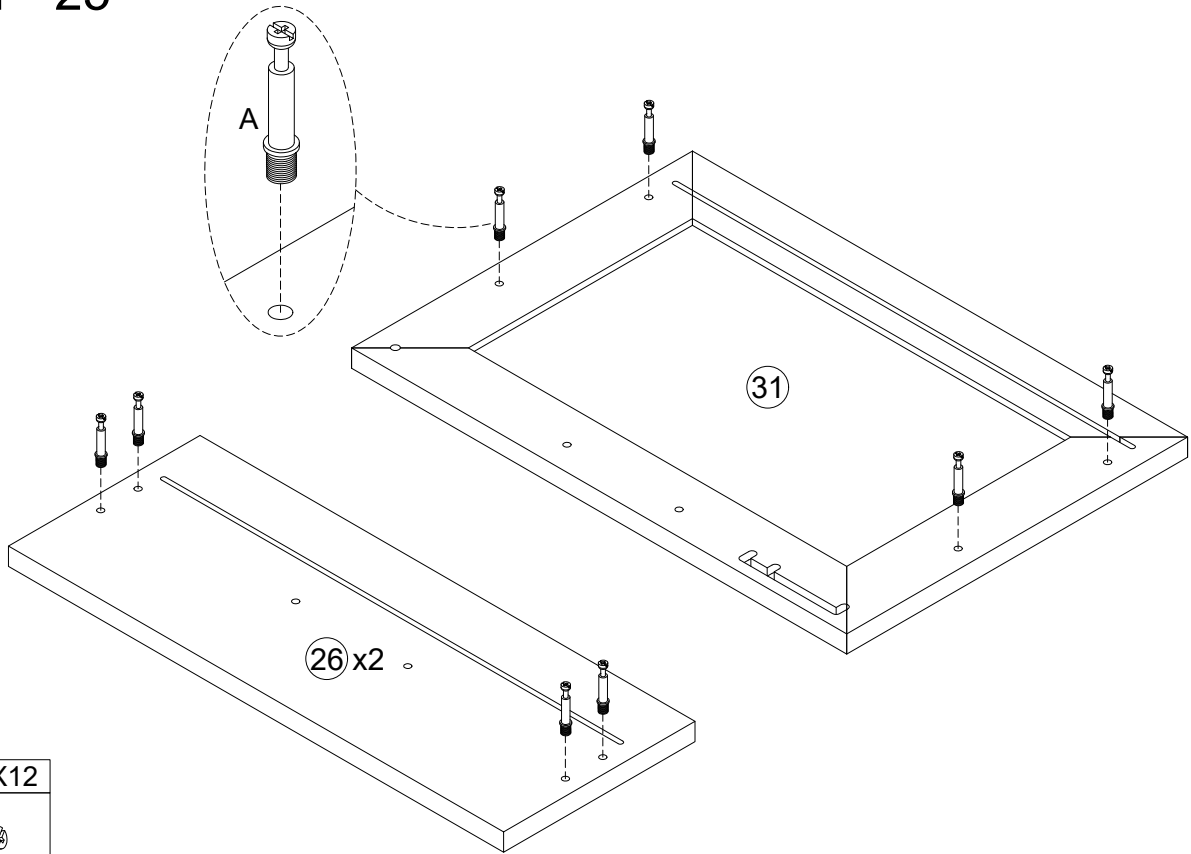
## STEP 24

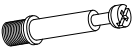


J	X12
	
Ø8xØ4x35mm	

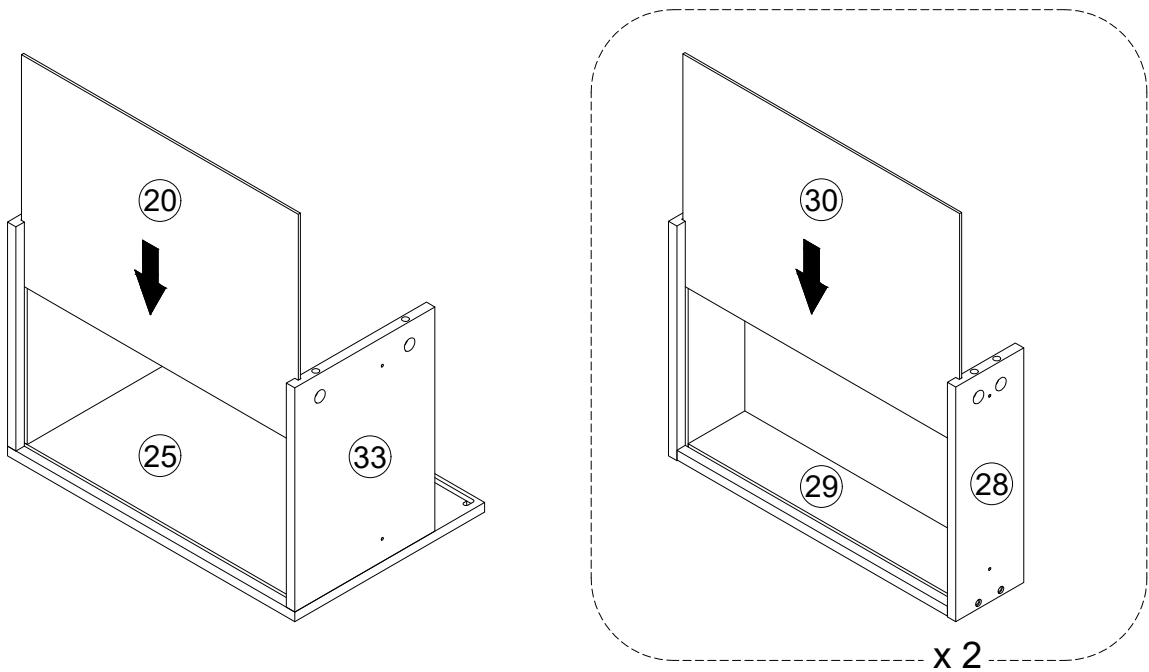
# INSTALLATION INSTRUCTION

## STEP 25



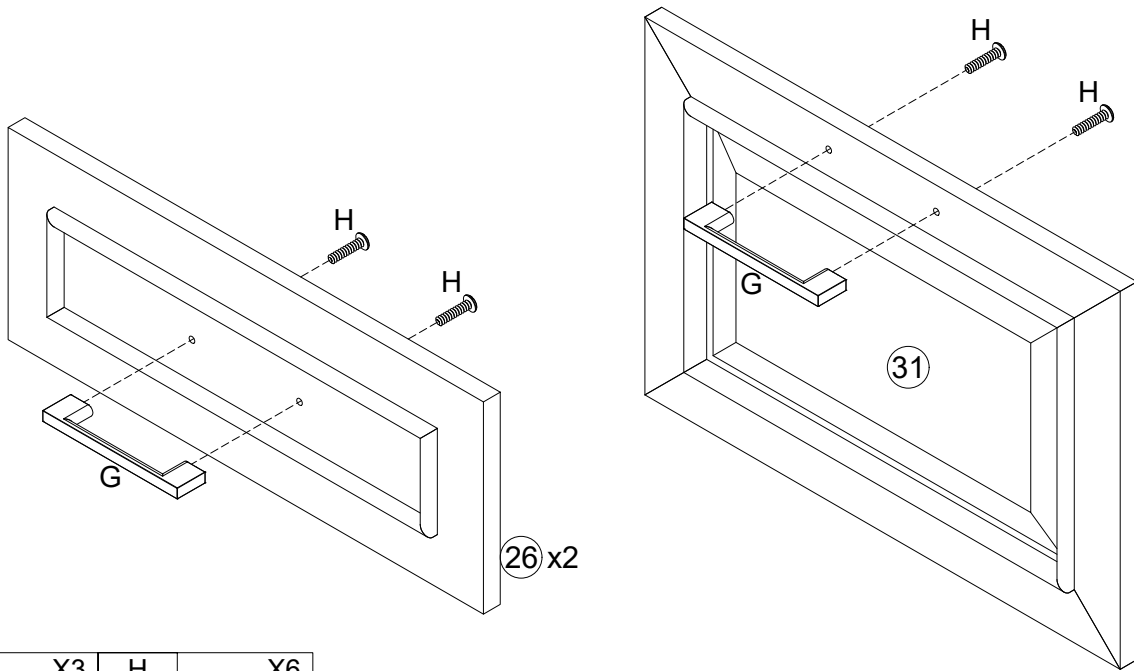
A	X12
	
Ø6x35mm	

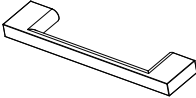

## STEP 26



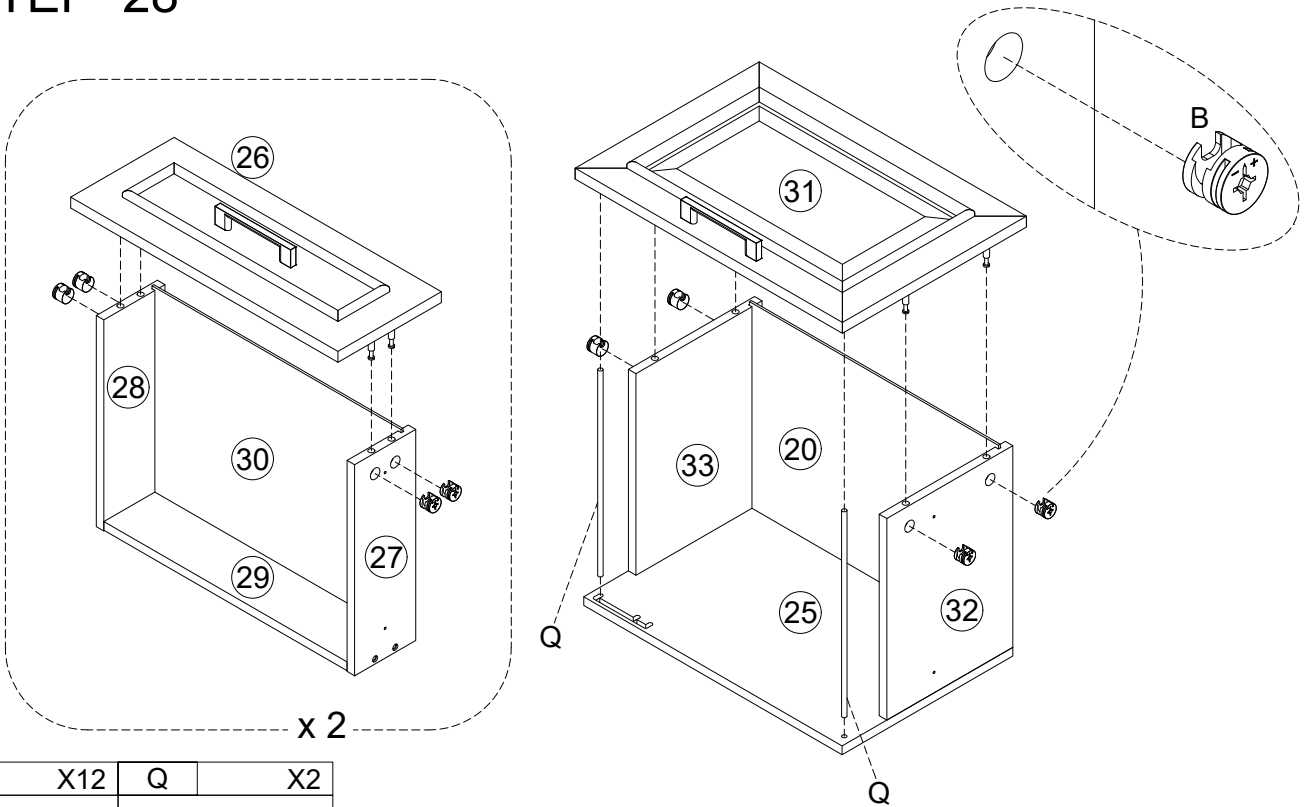
# INSTALLATION INSTRUCTION


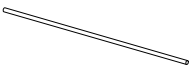
## STEP 27



G	X3	H	X6
			
		M4x18mm	

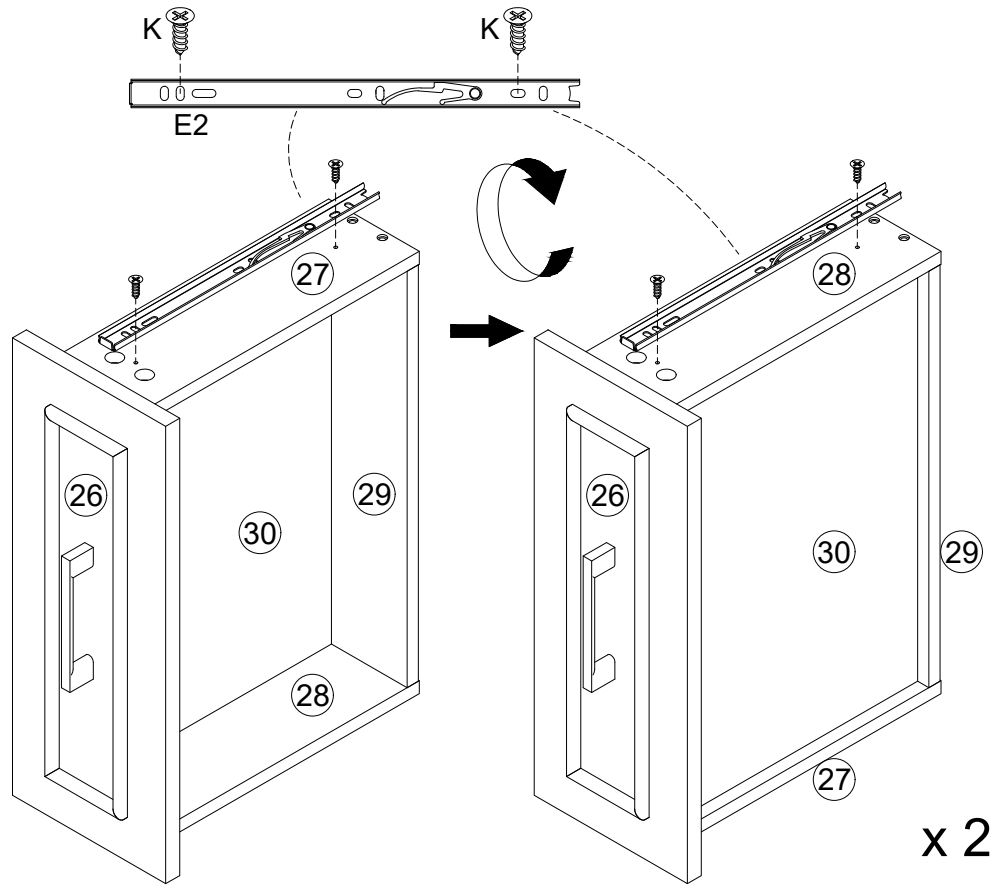
## STEP 28



B	X12	Q	X2
			
Ø15x10mm			

# INSTALLATION INSTRUCTION

## STEP 29



E2	X4
----	----



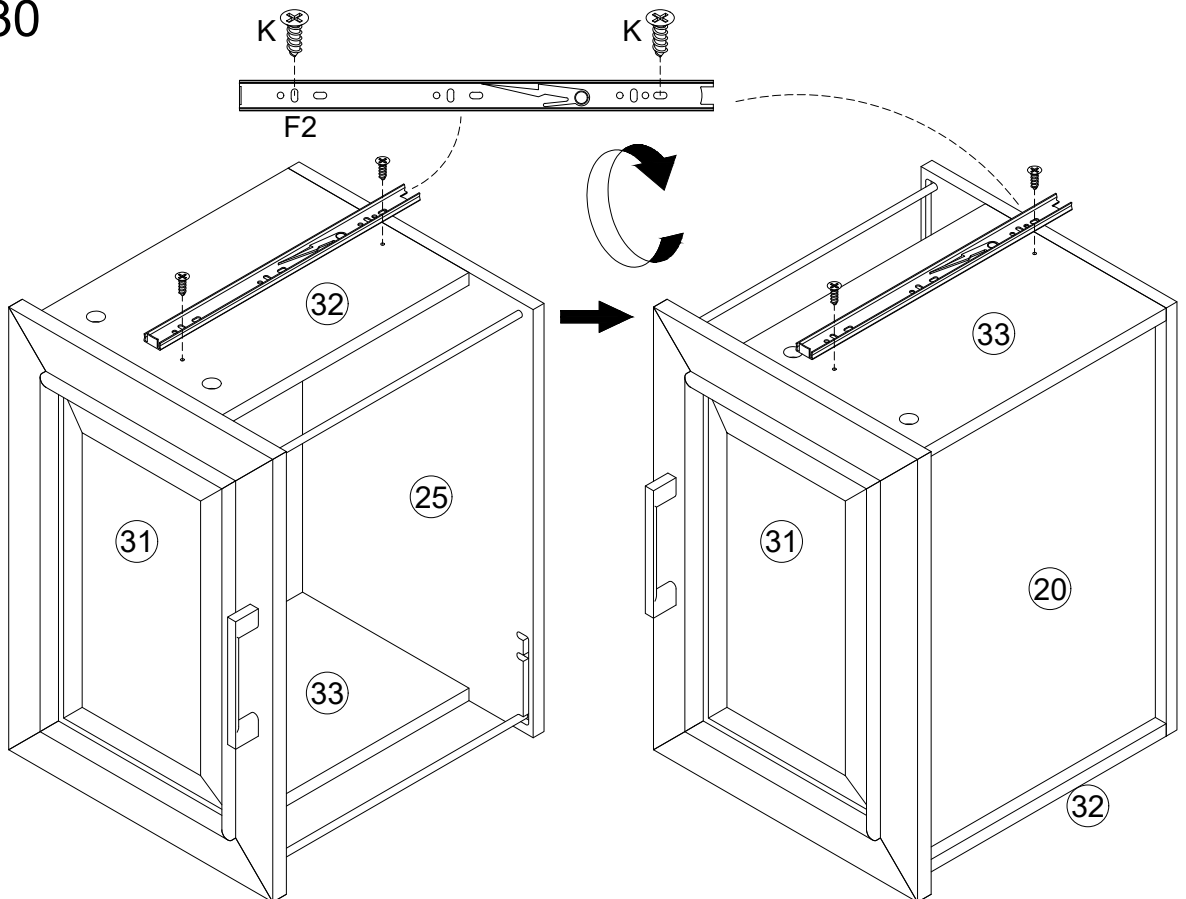
K	X8
---	----



Ø7xØ3.5x12mm

x 2

## STEP 30



F2	X2
----	----

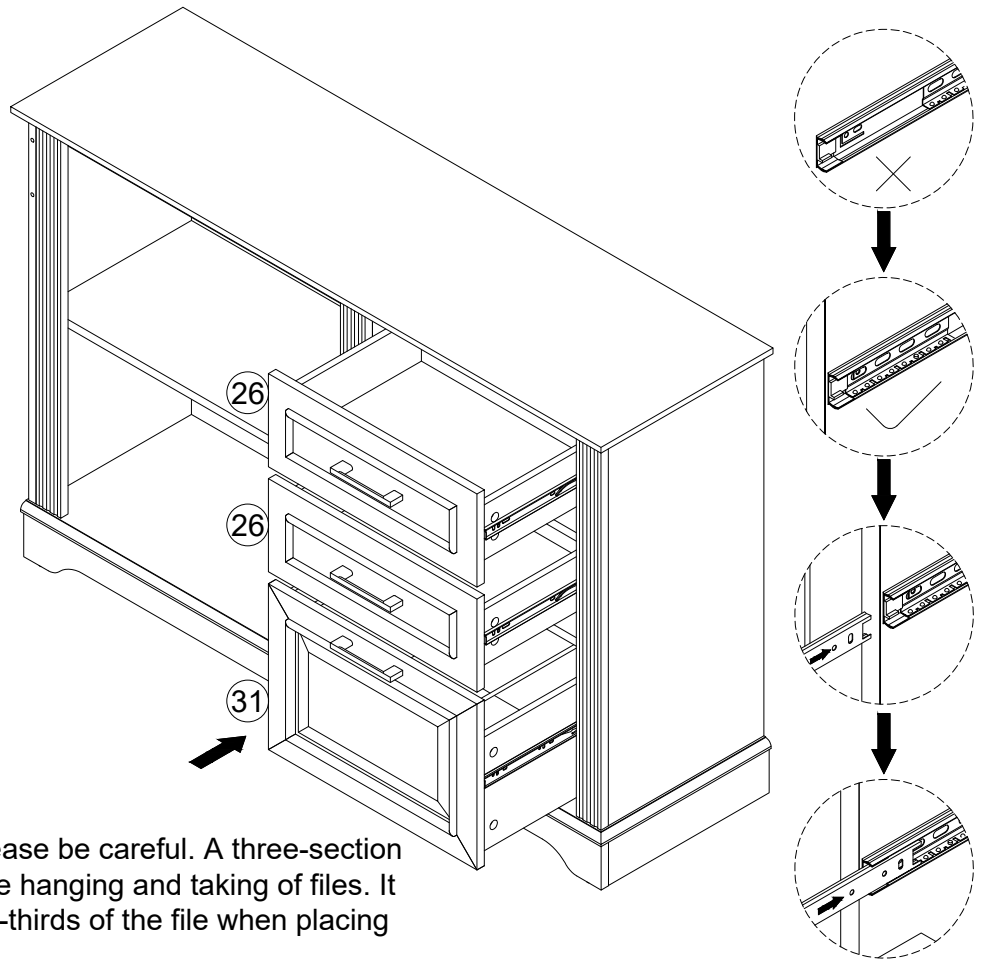


K	X4
---	----



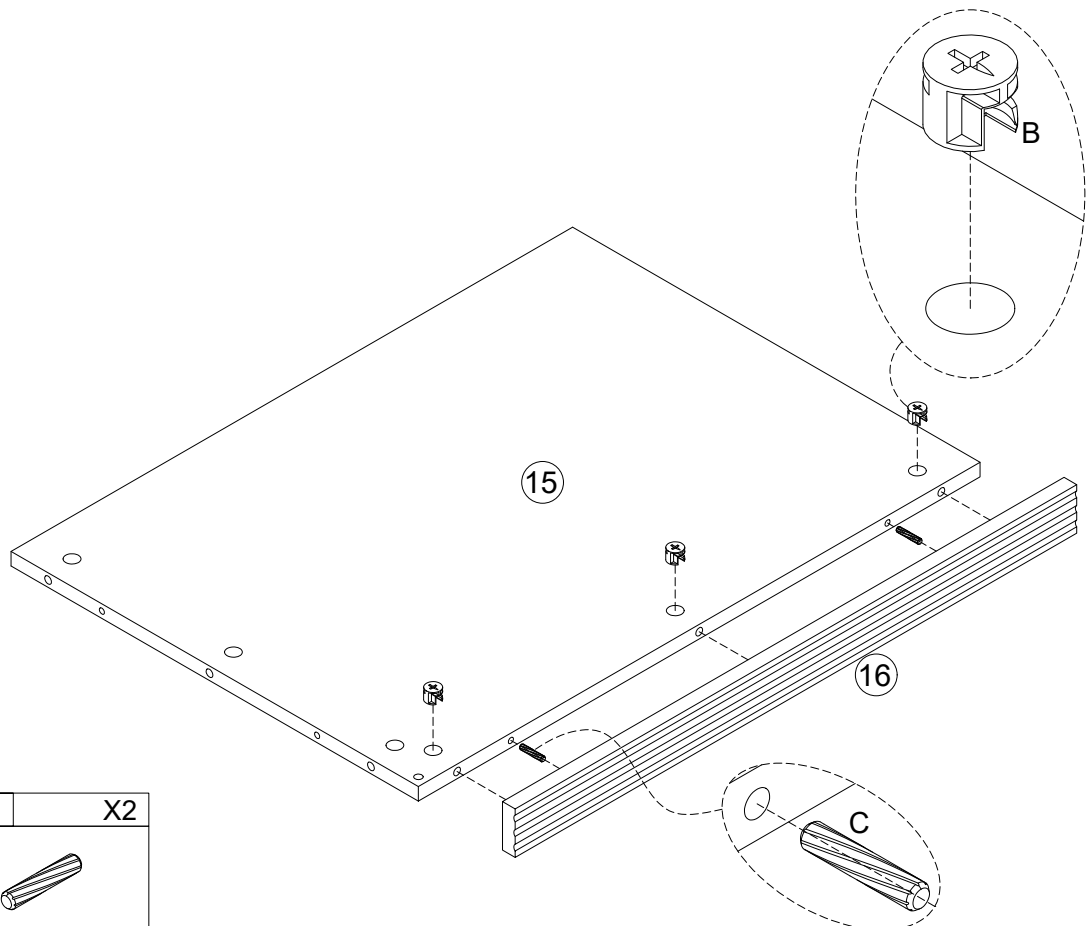
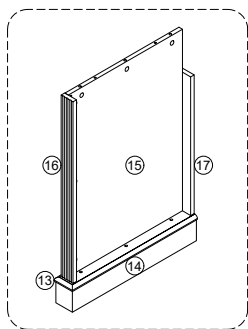
Ø7xØ3.5x12mm


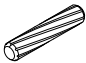
# STEP 31



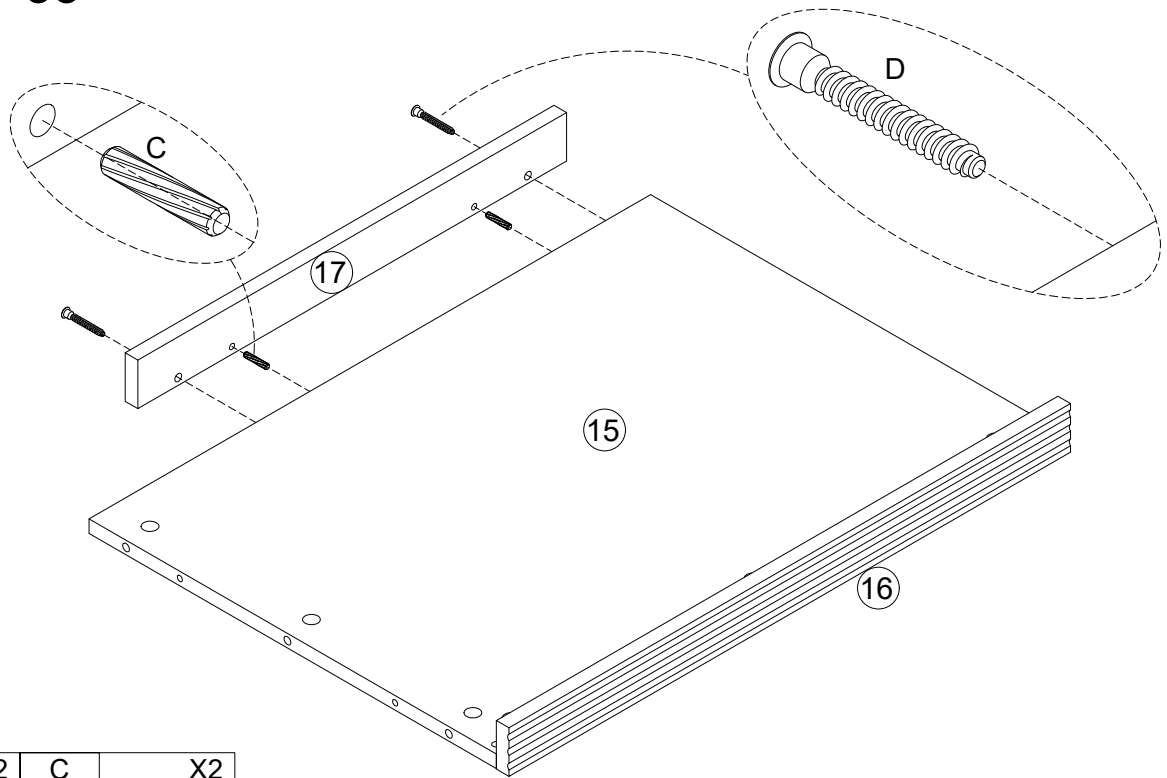
When pulling out large files, please be careful. A three-section guide rail is used to facilitate the hanging and taking of files. It is recommended to pull out two-thirds of the file when placing heavy objects.


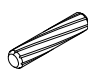
# STEP 32



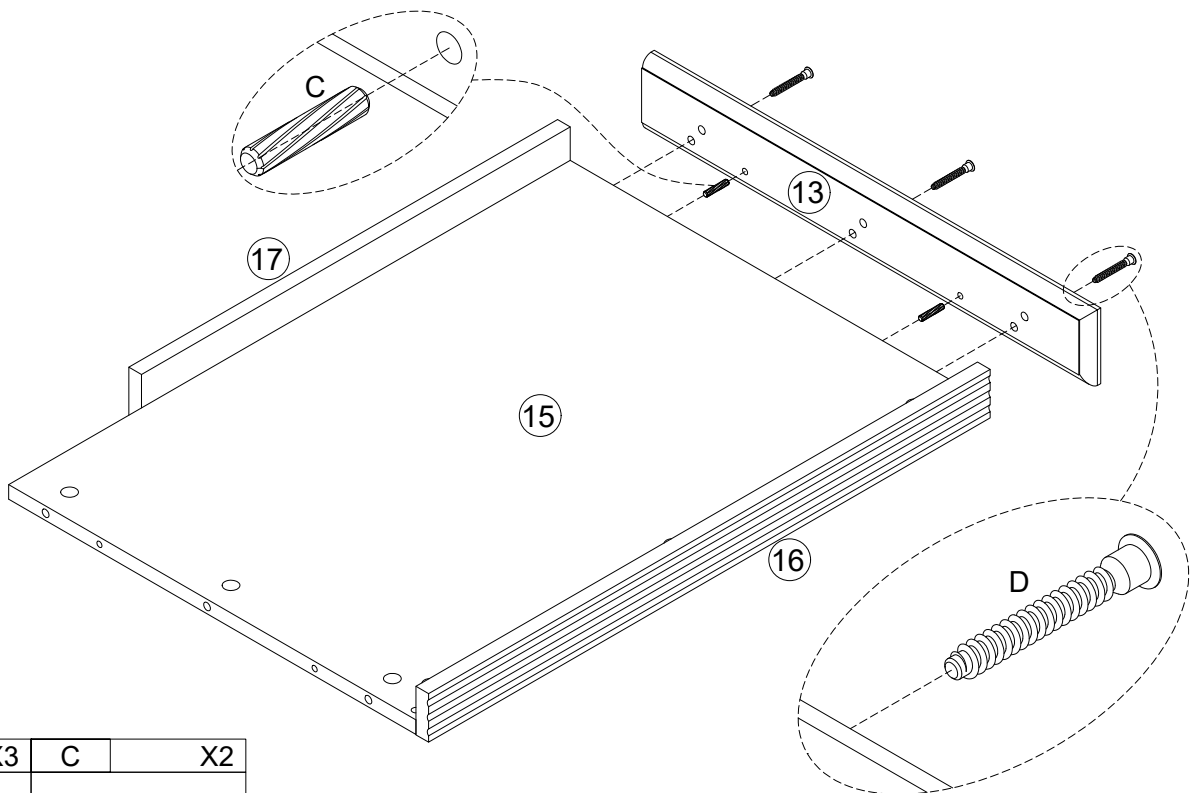
B	X3	C	X2
			
Ø15x10mm		Ø7.8x30mm	



# STEP 33



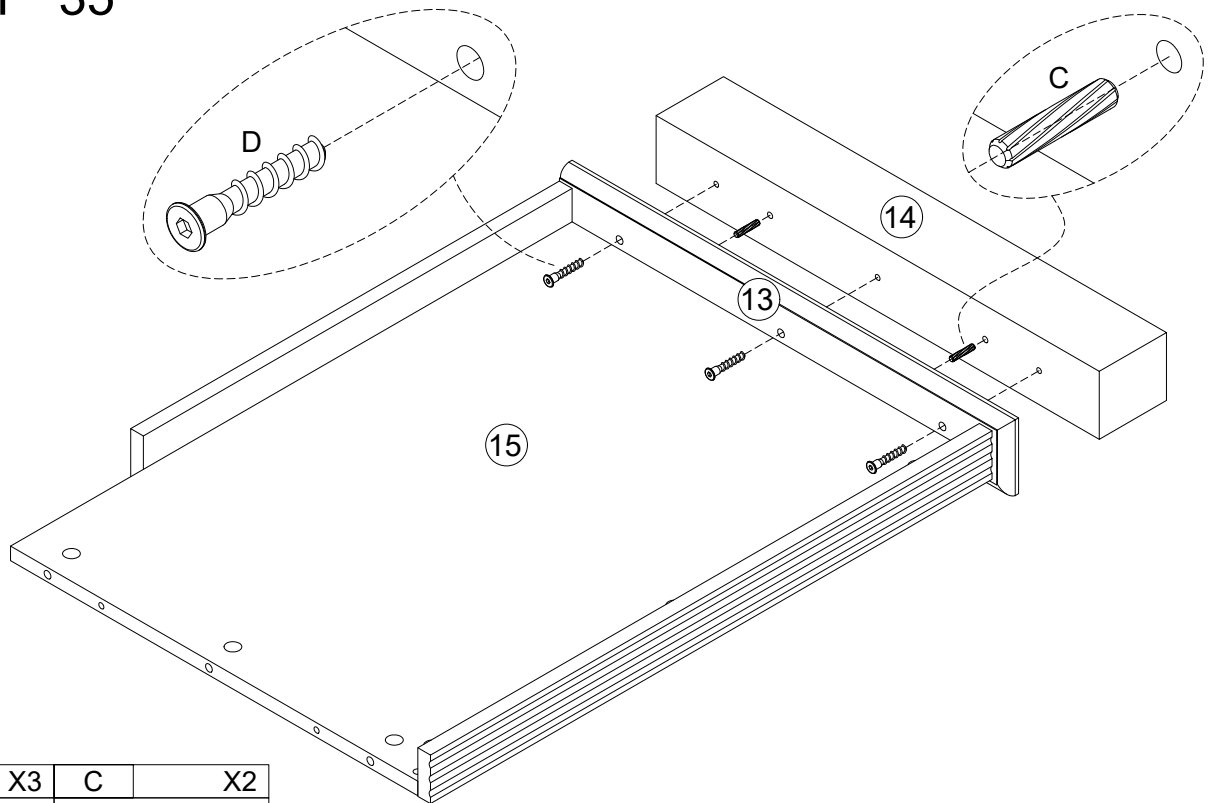
D	X2	C	X2
			
Ø7x38mm		Ø7.8x30mm	


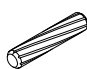
# STEP 34



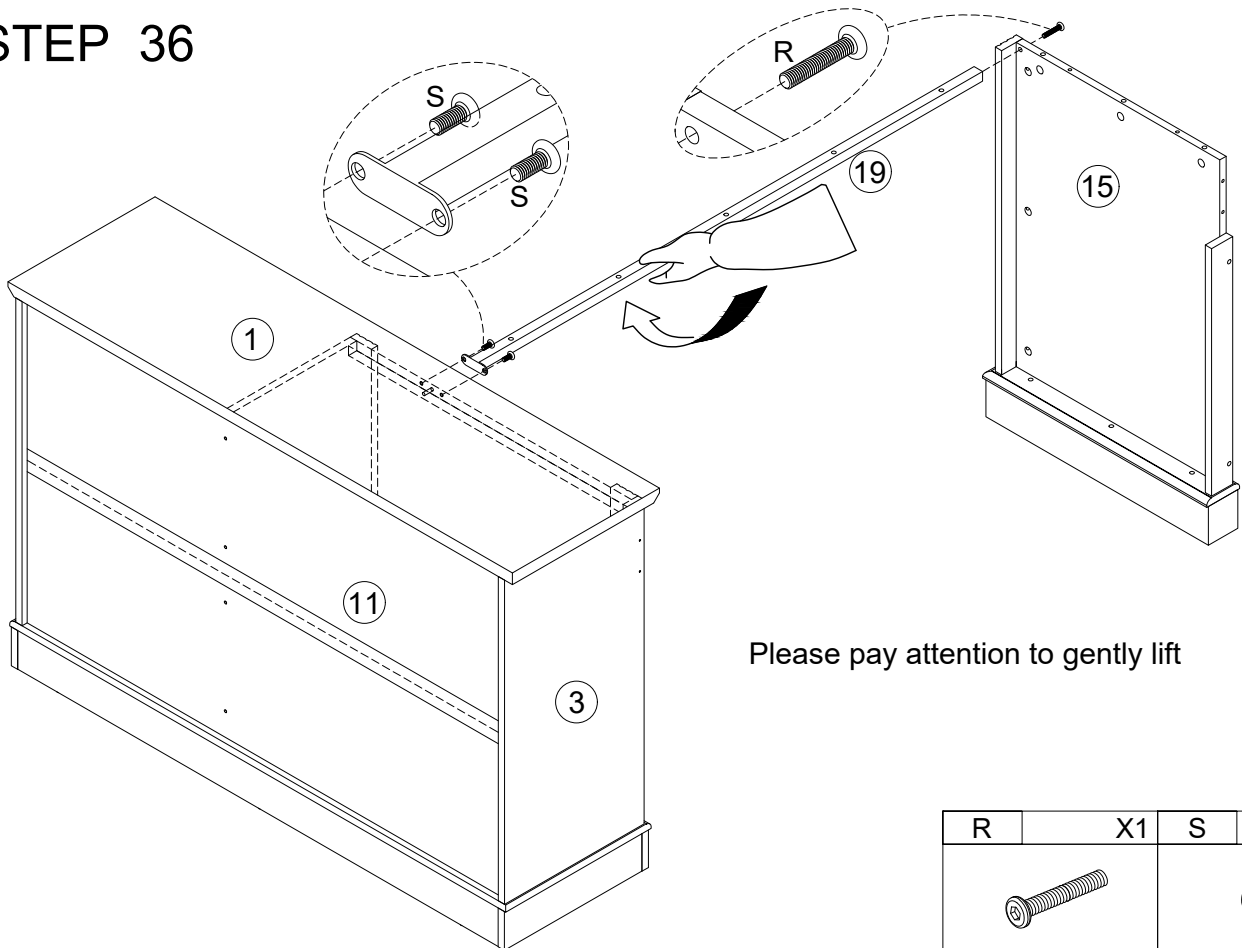
D	X3	C	X2
			
Ø7x38mm		Ø7.8x30mm	

# STEP 35

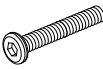



D	X3	C	X2
			
Ø7x38mm		Ø7.8x30mm	

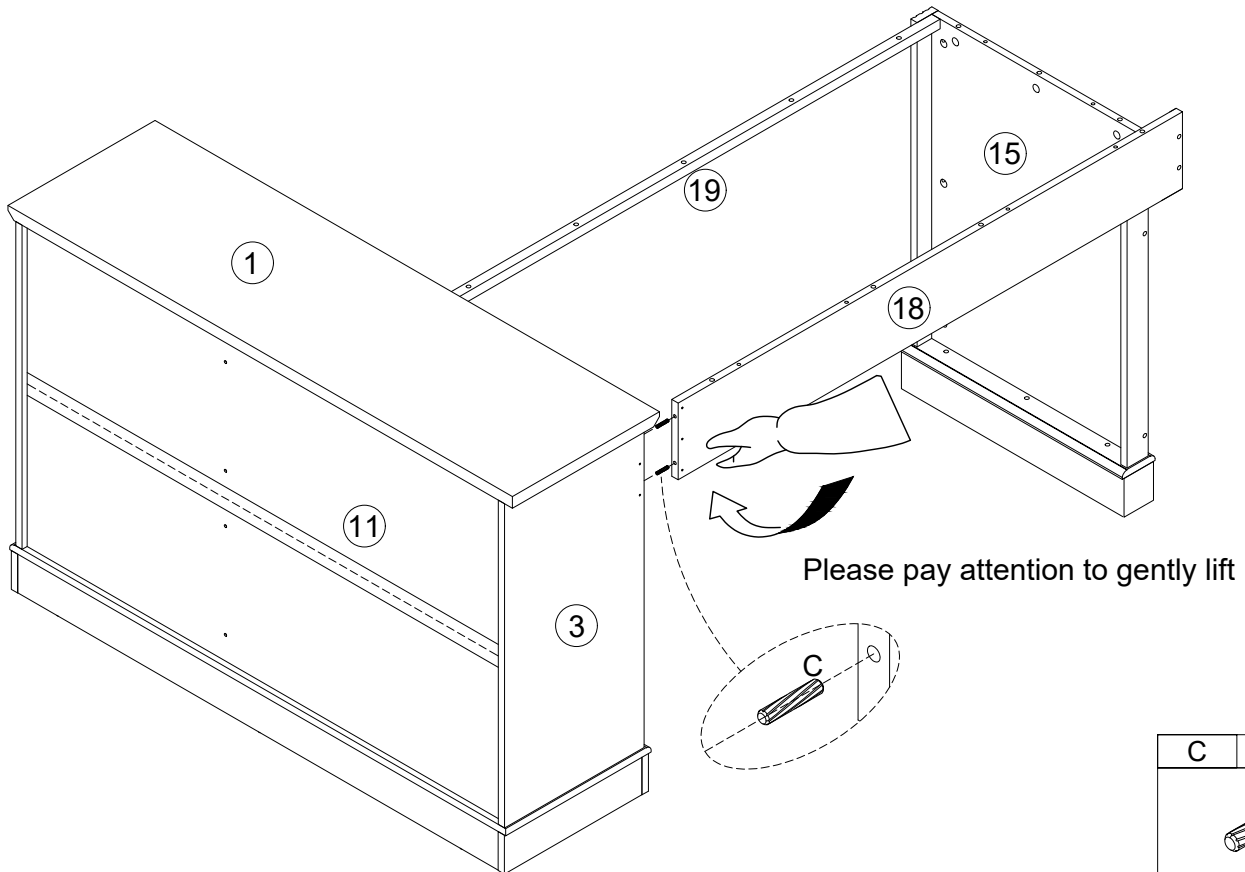
# STEP 36

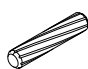


Please pay attention to gently lift

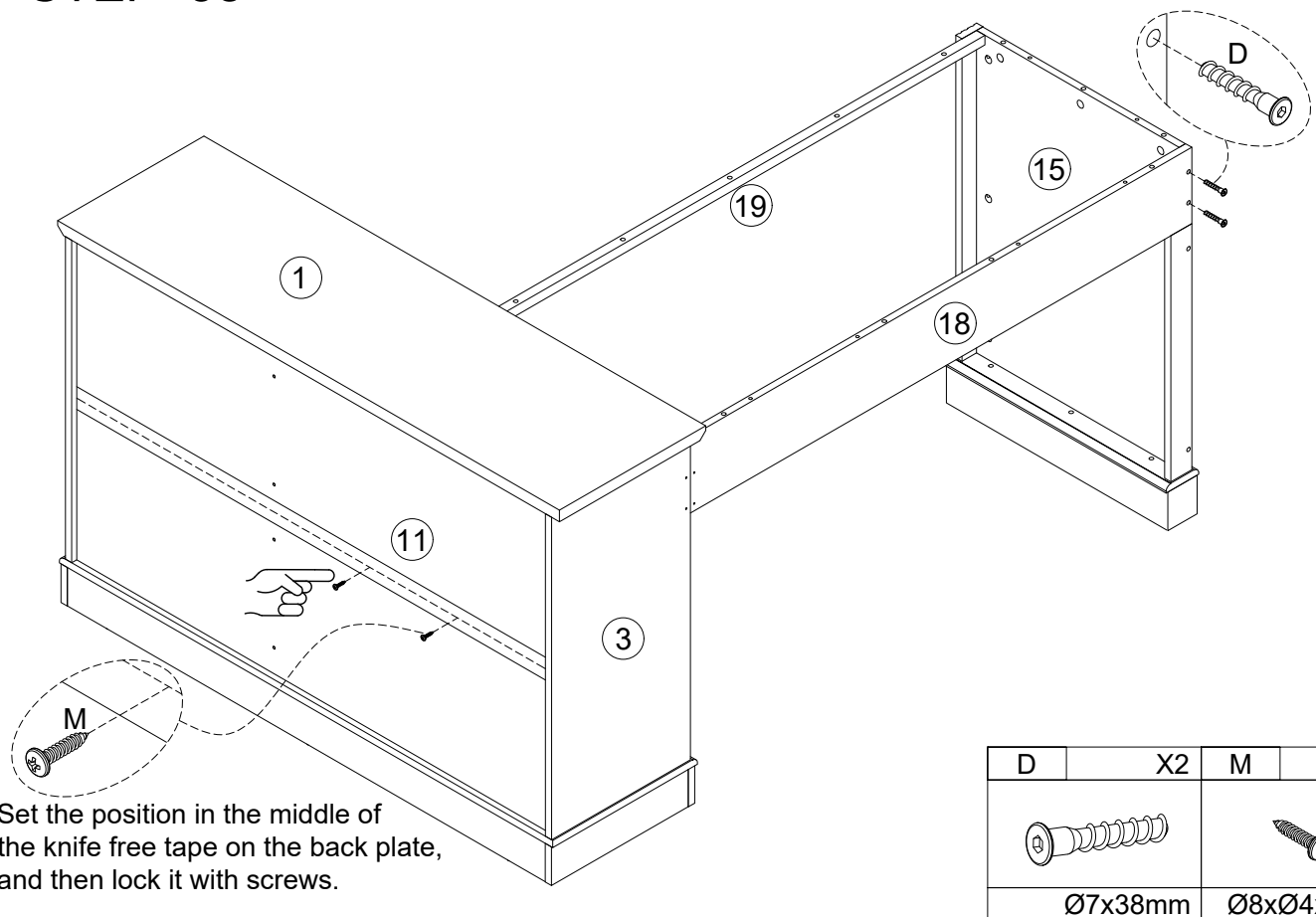
R	X1	S	X2
			
M6x45mm		M6x12mm	

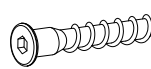

# STEP 37



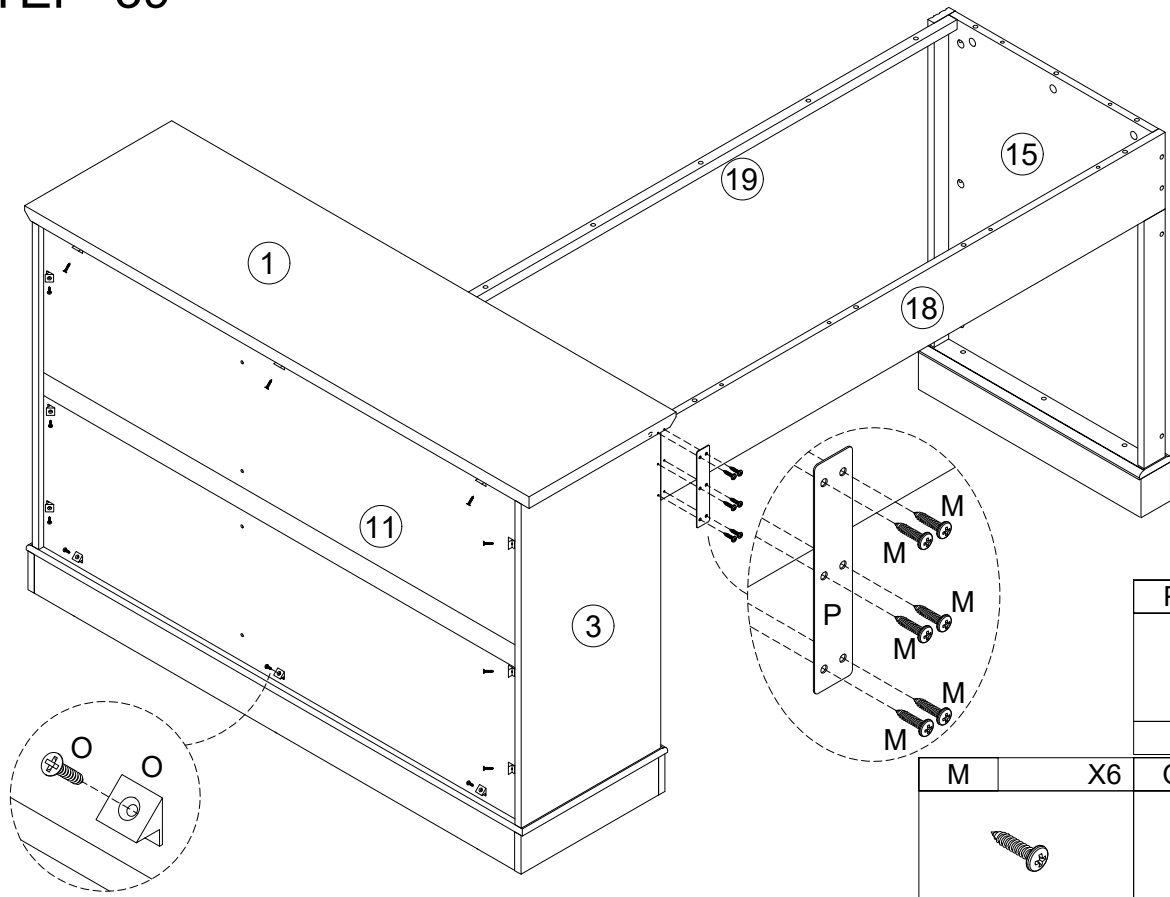
C	X2
	
Ø7.8x30mm	

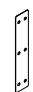

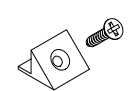
# STEP 38



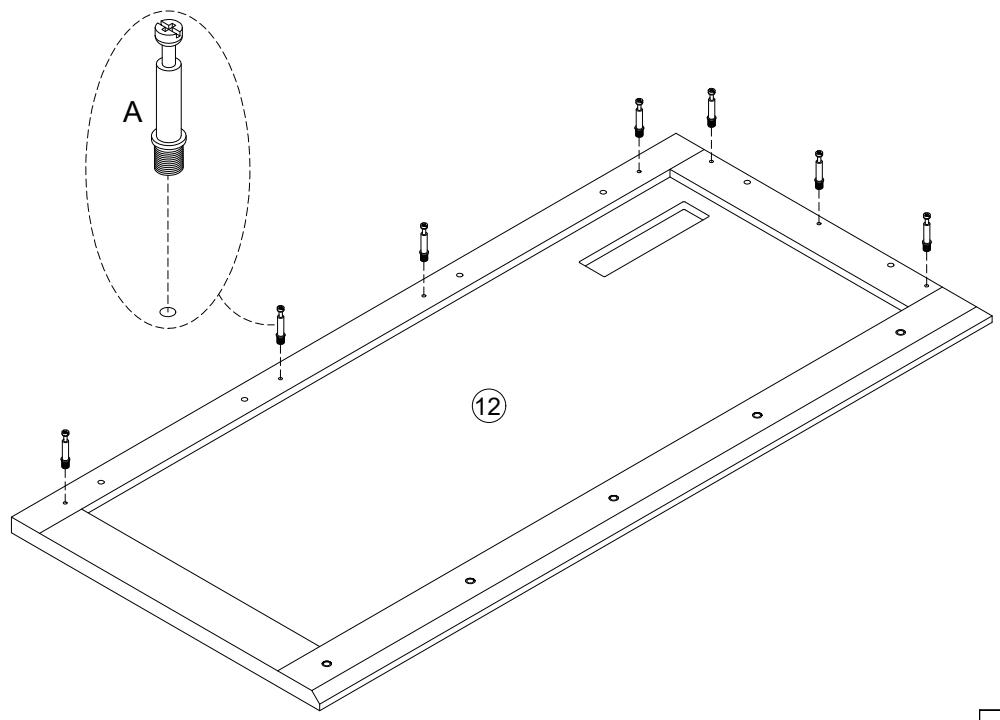
D	X2	M	X2
			
Ø7x38mm		Ø8xØ4x12mm	

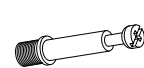
# STEP 39



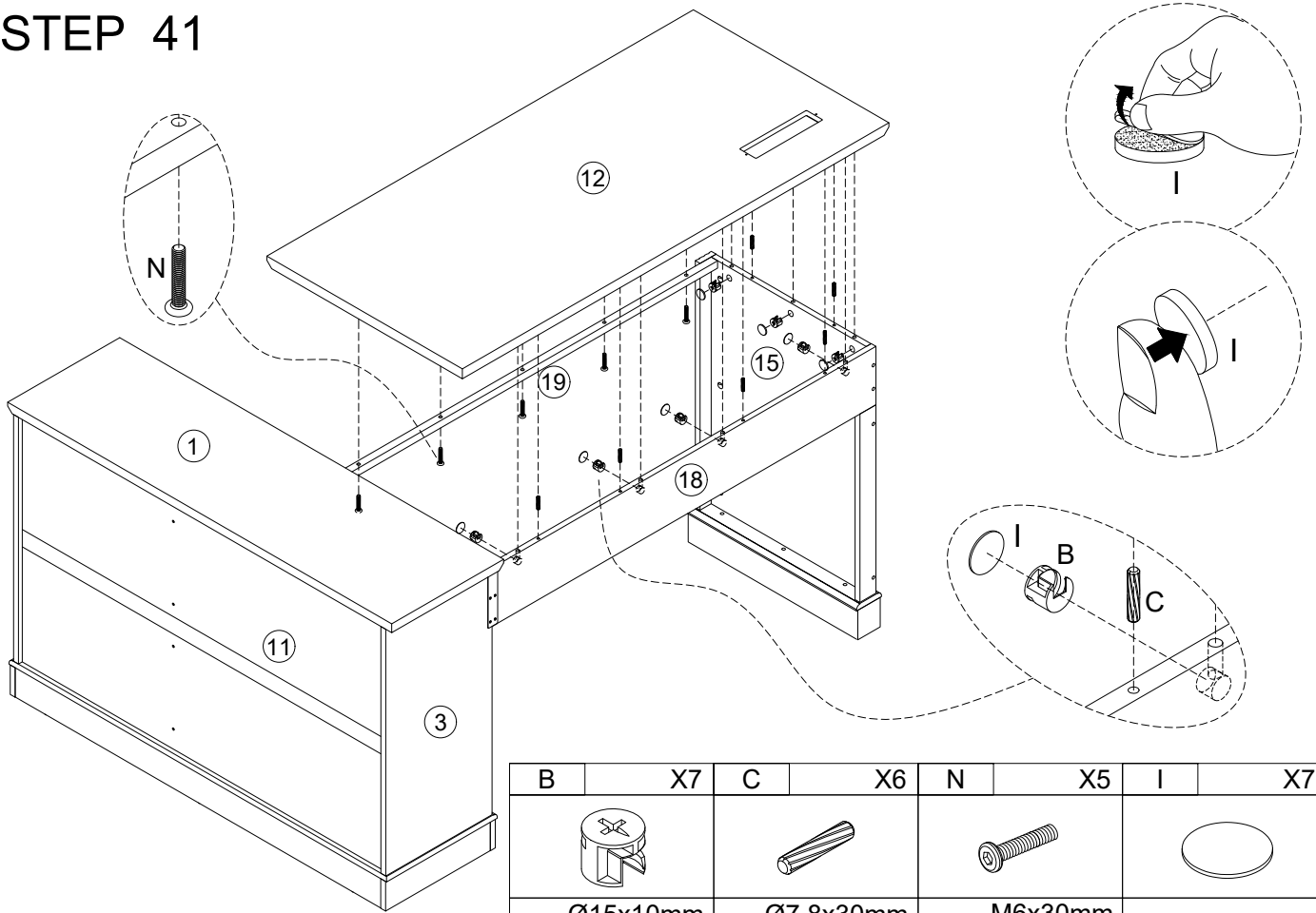
P	X1		
			
M	X6	O	X12
			
Ø8xØ4x12mm			

# STEP 40



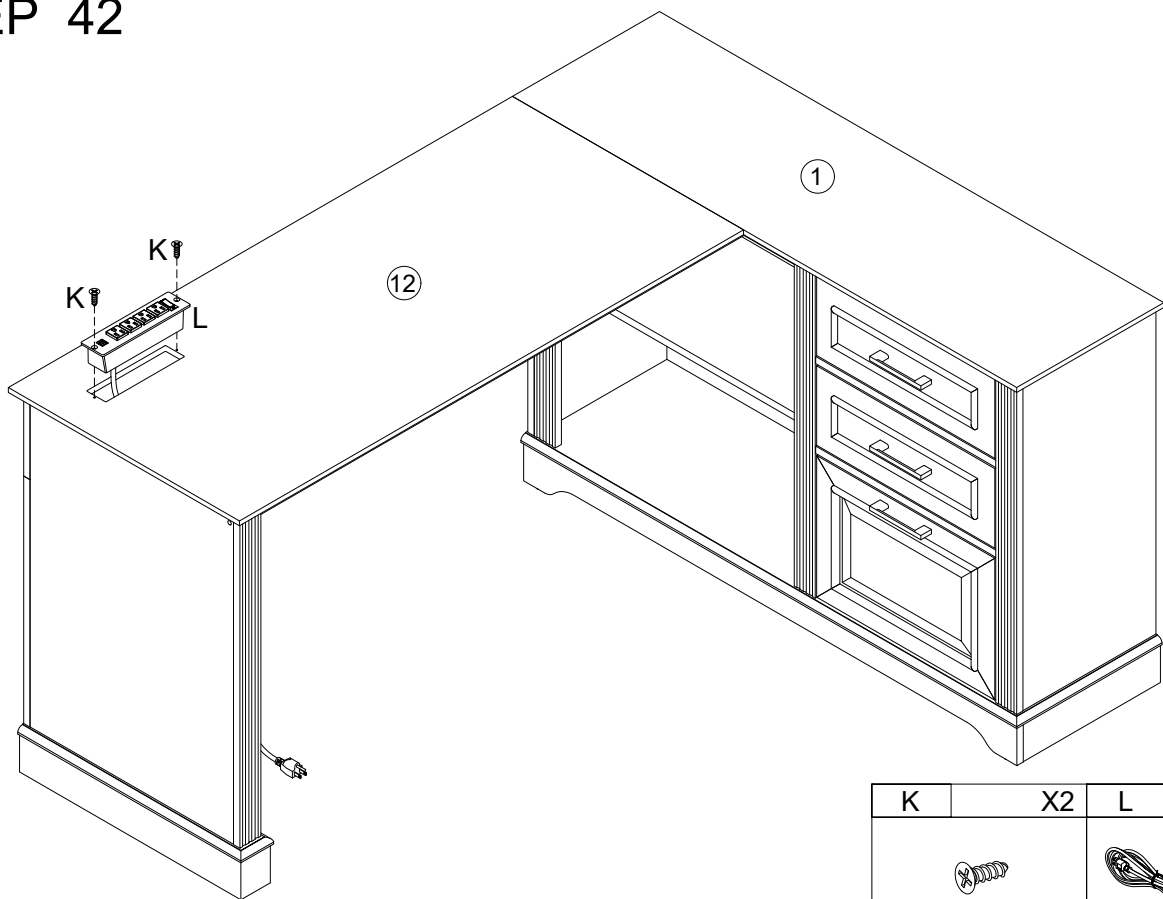
A	X7
	
Ø6x35mm	

# STEP 41



B	X7	C	X6	N	X5	I	X7
Ø15x10mm		Ø7.8x30mm		M6x30mm			

# STEP 42



K	X2	L	X1
Ø7xØ3.5x12mm			

STEP 43

