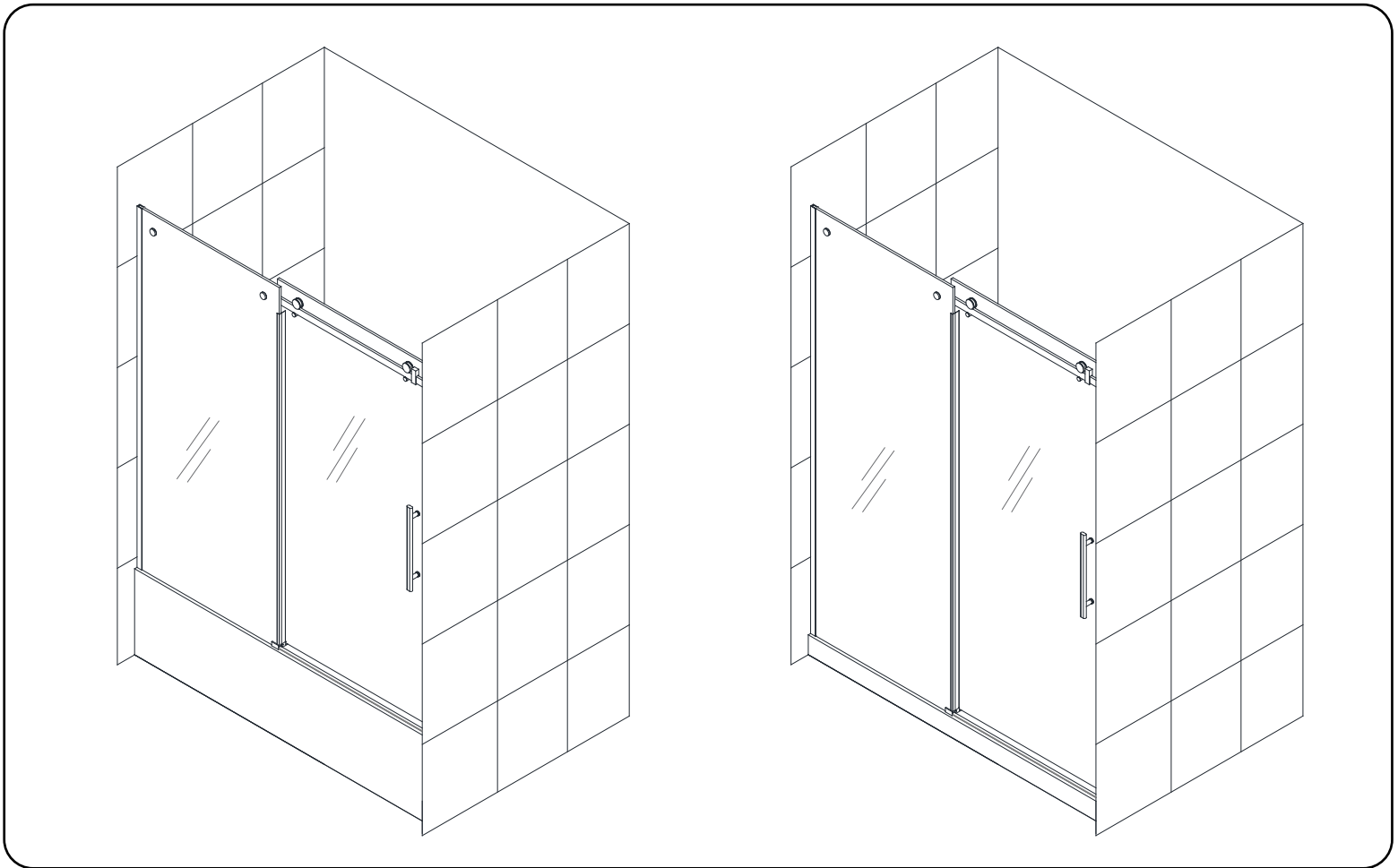


MINIMALIST BARN DOOR SHOWER AND TUB DOOR

SHOWER AND TUB DOOR INSTALLATION INSTRUCTIONS

IMPORTANT!

The manufacturer reserves the right to alter, modify or redesign products at any time without prior notice for the purpose of product improvement and customer experience.



This door is reversible.
Right-hand door installation shown.
Installation is the same for tub and shower models.

PLEASE REVIEW THIS ENTIRE MANUAL PRIOR TO INSTALLATION

Record the following purchase information for your records or in the event you need to contact the manufacturer.

Purchase Order Number _____

Store/Vendor Purchased From _____

Installation Date _____

OD Number (optional) _____
*found on the shipping box or label if available.

Installed By: _____

SKU Number _____

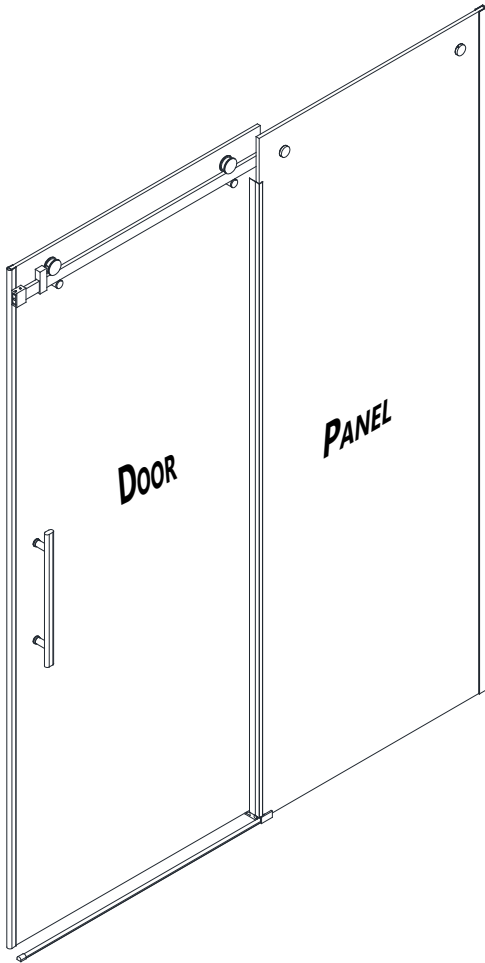
Table of Contents

Section title	Page #
Handing Information	2
Installing the Enclosure model	3
Troubleshooting and Maintenance Tips	4
Reinforcement Information	5
Preparation	6
Tools	7
Detailed Diagram of Shower Door Components	8
Parts List	9
Installation Steps	10-29
Vinyl Seals	25
SafeStop™ Bumper	26-27
Stoppers	28
Product Maintenance	30
Maintenance Checklist	31

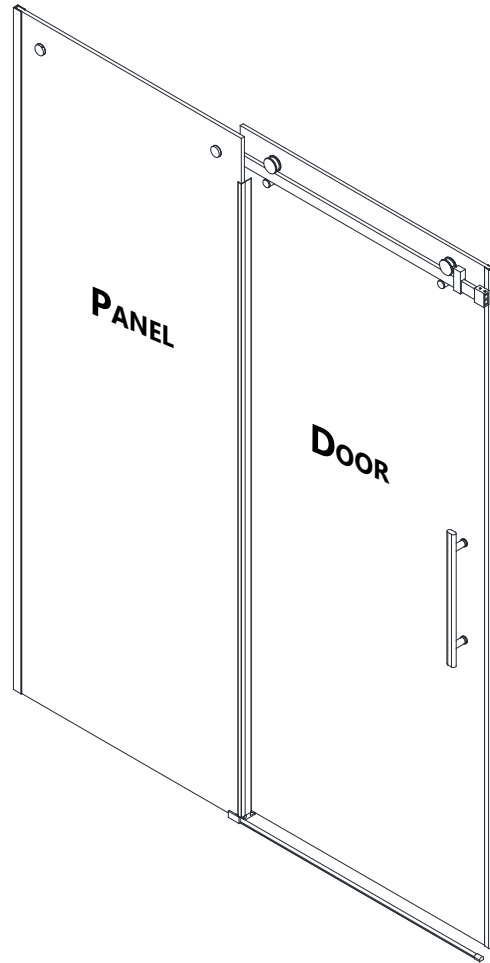
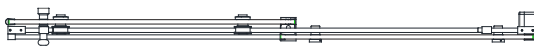


This product should be installed by someone familiar with the construction requirements for this type of product and the care necessary for the safe installation and operation of the product.

Handing Information



Left-Hand door installation



Right-Hand door installation



NOTE: This door is reversible for right or left-hand door installation. The right-hand door installation is shown as an example throughout this manual. For the left-hand door installation, simply begin on the opposite wall and reverse the orientation of the steps shown.

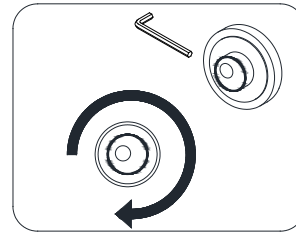


These instructions will show the installation of the shower door. Please follow the same steps for the installation of the tub door.

Troubleshooting and Maintenance Tips

Right Hand door installation shown as an example

Roller wheels adjusted as needed so that the bulb vinyl seal makes even contact with the wall from top to bottom



Rotate disk to adjust

Stopper properly positioned and tight -door stops well before handle can contact the panel glass when door is in the fully open position

Roller wheels tight with proper clearance beneath the door glass and guide block

Stopper properly positioned and tight so that the Door stops against the stopper and prevents the Door from making hard contact with the wall but allows the bulb vinyl to seal

Guide Rail bracket flush with wall and set screws tight

Guide Rail level

Guide Rail bracket flush with wall and set screws tight; Installation into a stud strongly recommended

Glass brackets tight

To secure the Stoppers (#05): Apply the Thread Lock adhesive to the threads of the set screws during the final installation. Fully tighten the set screws with the supplied Allen wrench.

Roller guards positioned properly and tight within 1/16" beneath guide rail

Panel Glass

Door Glass

Stopper

Handle tight

Bulb vinyl seal installed

Thread Lock Adhesive

Inspect bottom corners of door glass for damage. ****Units with damaged door glass should not be used until door glass has been replaced****

The bulb vinyl seal on the edge of the door makes even contact with the wall when the door is fully closed

Bumper is secured in position with 3M tape or screwed to the wall

* Stopper Locations as measured from the wall to the center of the stopper:

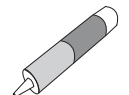
- Panel side: 4-3/4" (+/-) (but no less than 4-1/2")
- Door side: 4" (+/-) (depends on opening conditions)

Panel Glass sits flush on the threshold

Guide block screwed down and square with glass

Recommend to apply thread lock to:

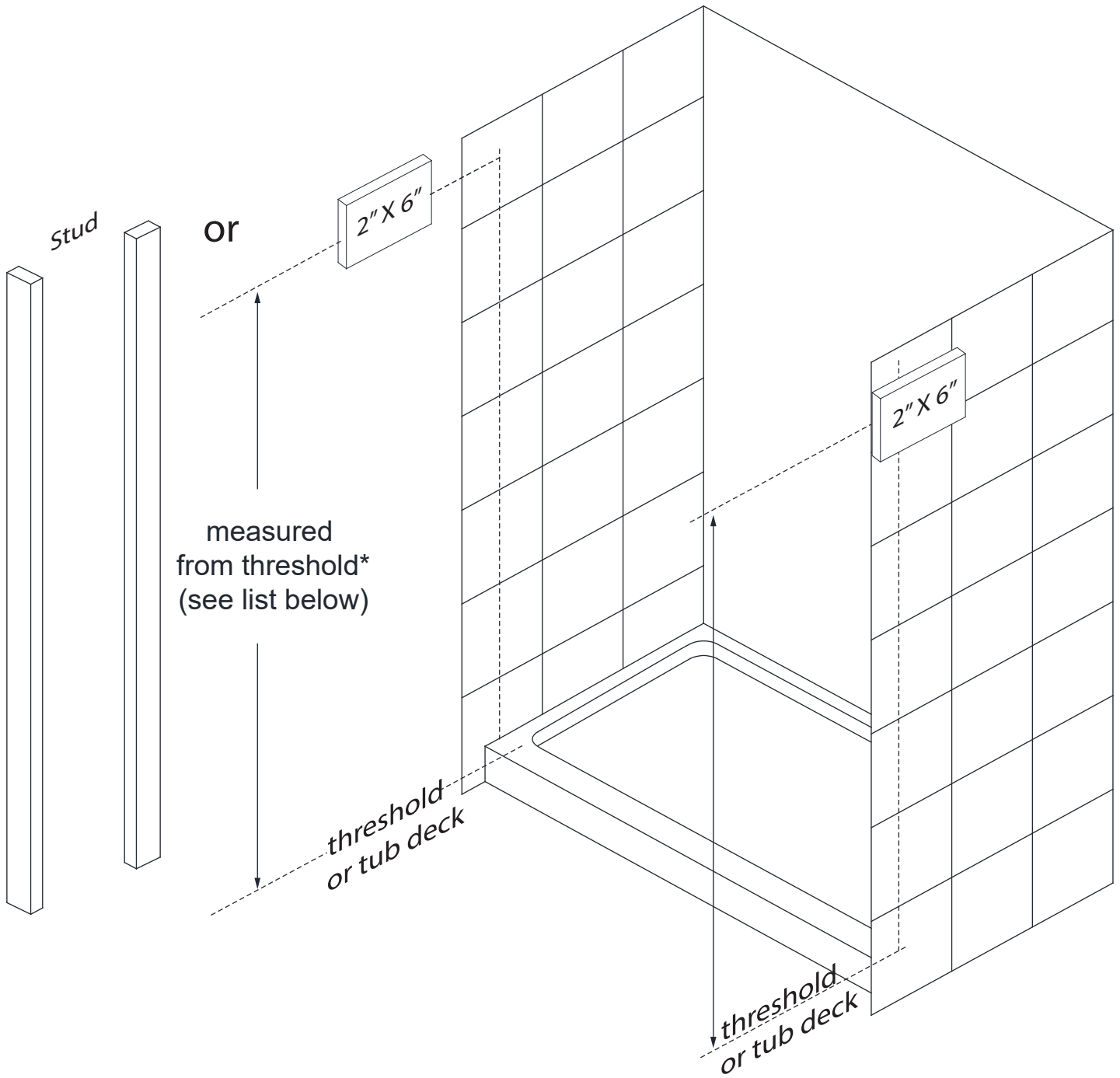
- Stopper set screws
- Roller guard bolts
- Wheel bolts
- Glass Bracket bolts



All rubber gaskets and sleeves installed properly between all hardware and glass to prevent glass to metal contact

Reinforcement for Heavy Glass frameless sliding shower door

Install studs OR install 2"x 6" wood blocking between the studs where the Guide Rail Brackets will attach to the wall



Preparation

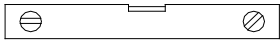
1. Prior to installation, examine all boxes and packages for shipping damage and compare the piece count with your packing slip. After opening all boxes and packages read this introduction carefully. Check that all of the needed parts are included in the package by checking off the components on the "Detailed Diagram of Shower Door Components". If the unit has been damaged, has a finishing defect, or has missing parts, please contact the manufacturer within **3 business days** of the delivery date. **Please note that the manufacturer will not replace any damaged products or missing parts free of charge after 3 business days or if the product has been installed.** Contact the manufacturer if you have any questions and please provide an order number, job name or other proof of purchase to help us identify your original order.
2. If this unit is going to be installed in a new construction, install all of the required plumbing and drainage before installing the shower. **Use a competent and licensed (if required by local code) plumber for all plumbing installation.**
3. **Please note that you should consult your local building codes with questions about installation compliance standards. Building and plumbing codes may vary by location and the manufacturer is not responsible for code compliance standards for your project and will not accept any returns.**
4. Make sure that prior to beginning the installation, the surfaces are leveled and solid and will be able to support the total weight of the unit. Also make sure the walls are at right angles. Irregular installation surface level, radius corners or improper angle of side walls will result in serious problems for your installation. Please note that some adjustments and drilling may be necessary during the installation process.
5. Protect all primary surfaces of the product during installation. Never set your glass down directly onto a tile floor. Leave corner protectors in place until necessary to remove them. Always use a piece of wood or cardboard to protect the bottom edge and corners of the glass prior to and during installation.
6. This unit must be installed upon a finished threshold and against finished walls.
7. **The inline panel for this model has up to 1/4" of out-of-plumb adjustment within the U-Channel. Use a level to verify that finished wall conditions are within this tolerance before installation.**
8. **This model requires that you drill into the threshold for proper installation.**
9. **Installation of the Guide Rail brackets into a stud or 2" x 6" wood reinforcement is strongly recommended.**
10. This model requires a minimum **2-1/4"** of flat threshold space for installation.
11. **Professional Installation Required.**



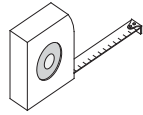
NOTE: DO NOT attach the handle to the door glass until instructed to do so. **DO NOT** use the handle to lift the glass during installation. This may result in damage to the glass and/or serious injury. Always use an assistant and/or a professional grade glass suction cup when handling heavy glass panels.

NOTE: This manual will describe the shower door installation. Please follow the same sequence of installation steps for the tub door installation.

Tools



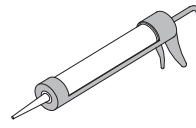
Level



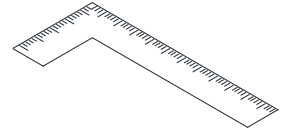
Tape Measure



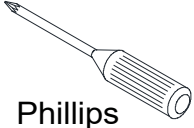
Pencil



Silicone



Carpenter's Square



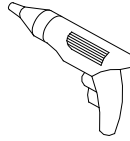
Phillips Screwdriver



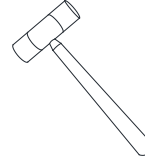
Drill bit (D=5/16")



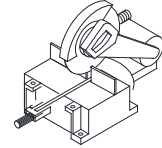
Drill bit (D=1/8")



Power Drill



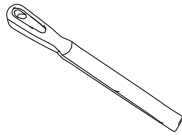
Soft Head Hammer



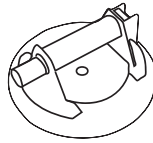
Chop saw and Hacksaw



Painter's Tape



Metal File



Professional-grade Glass suction cup



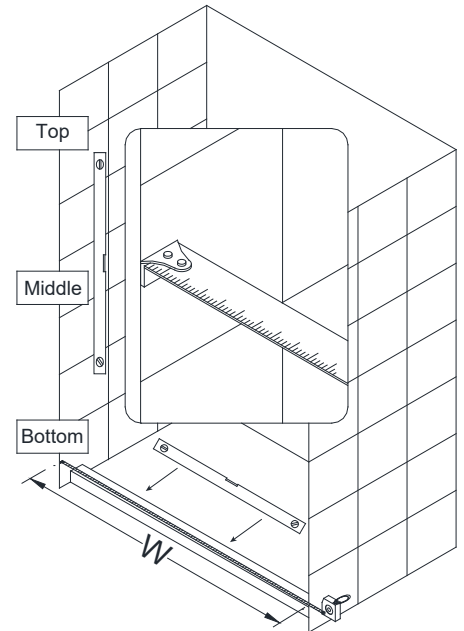
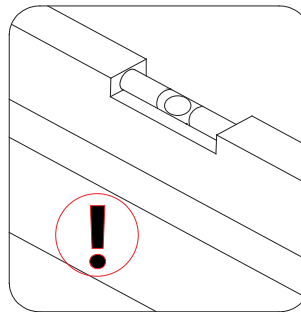
Extender driver bit

Tip: Measure the finished opening before proceeding with the installation to be sure that the correct model size has been ordered.

Tip: Prior to installation, cover the shower/tub drain with tape to prevent losing screws or small parts.

Tip: Set screw gun clutch to low setting when installing screws and bolts to prevent stripping the heads.

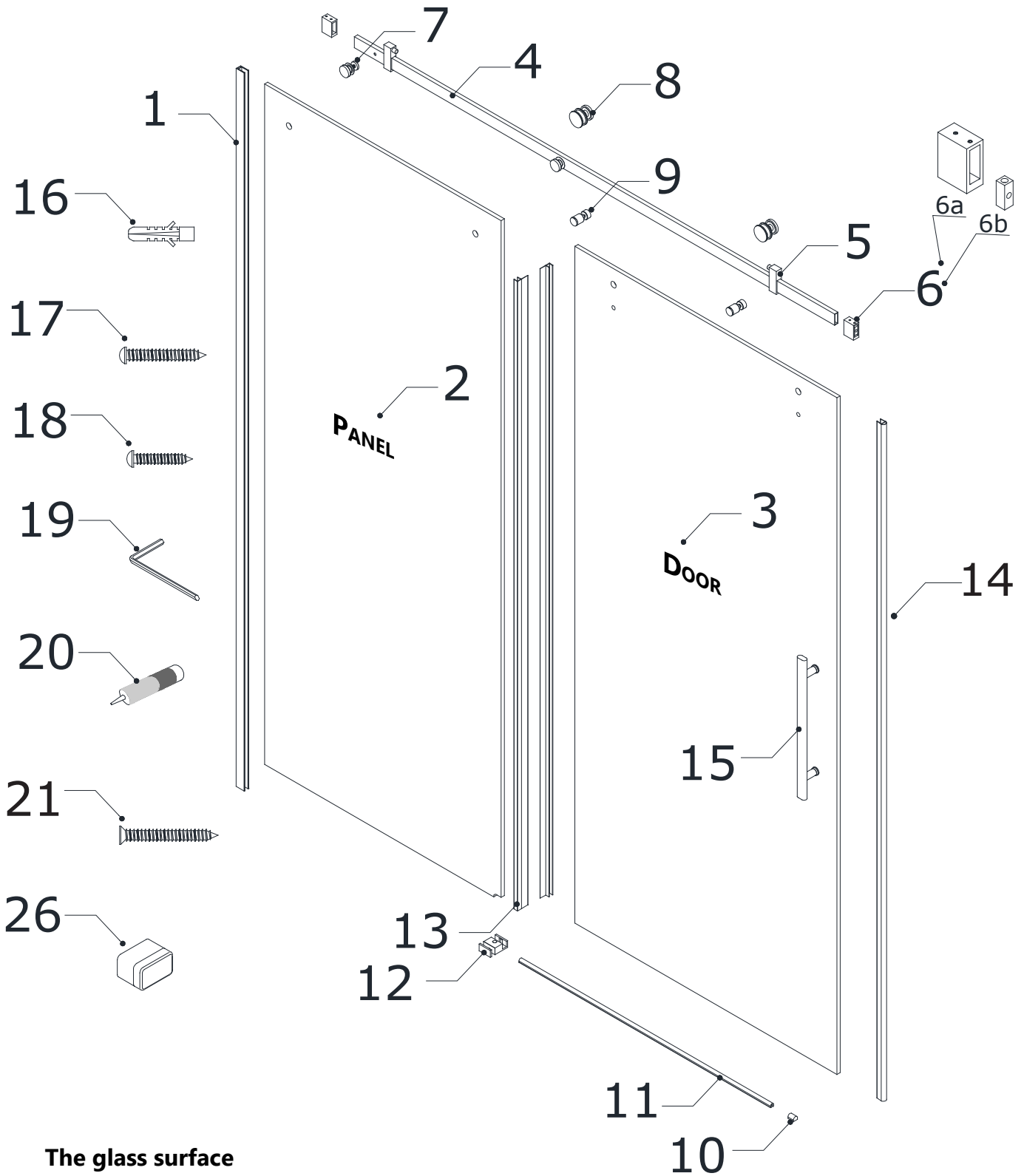
Threshold must be level.



NOTE: Unpack your unit carefully and inspect it. Lay it out and identify all parts using the detailed diagram and packing list in this manual as a reference. Before discarding the carton, check for small hardware bags that may have fallen to the bottom of the box. If any parts are damaged or missing, please contact the manufacturer for replacement. The shipping boxes may contain extra parts not used in your model configuration.

NOTE: Retain these installation instructions for future reference.

Detailed Diagram of Shower Door Components



**The glass surface
with the coating
label must face the
inside of the shower**

Parts List

ITEM #	DESCRIPTION	QTY
01	U-Channel	1 pc
02	Stationary Glass	1 pc
03	Door Glass	1 pc
04	Guide Rail	1 pc
05	Stopper	2 pcs
06a/6b	Guide Rail Bracket	2 pcs
07	Glass Bracket	2 pcs
08	Roller	2 pcs
09	Roller Guard	2 pcs
10	Threshold End Cap	1 pc
11	Anti-splash Threshold	1 pc
12	Guide Block	1 pc
13	Anti-water Side Strip	2 pcs
14	Bumper Strip	1 pc
15	Handle	1 pc
16	5/16" Wall Anchor	7 pcs
17	ST4.0 x 40 Pan Head Screw	4 pcs
18	ST4.0 x 25 Pan Head Screw	1 pc
19	Allen Wrench (4mm)	1 pc
20	Thread Lock Adhesive	1 pc
21	ST4.2 x 55 Countersunk Screw	2 pcs
26	Bumper	1 pc

Installation Steps

1. Check both of the finished walls for plumb and the threshold for level. **(Fig 1)**

NOTE This model allows for up to 1/4" of out-of-plumb adjustment within the UChannel **on the Inline Panel side only.**

NOTE: The **right-hand door** installation is shown as an example throughout this manual. For the **left-hand door** installation, simply begin on the opposite wall and reverse the orientation of the steps shown.

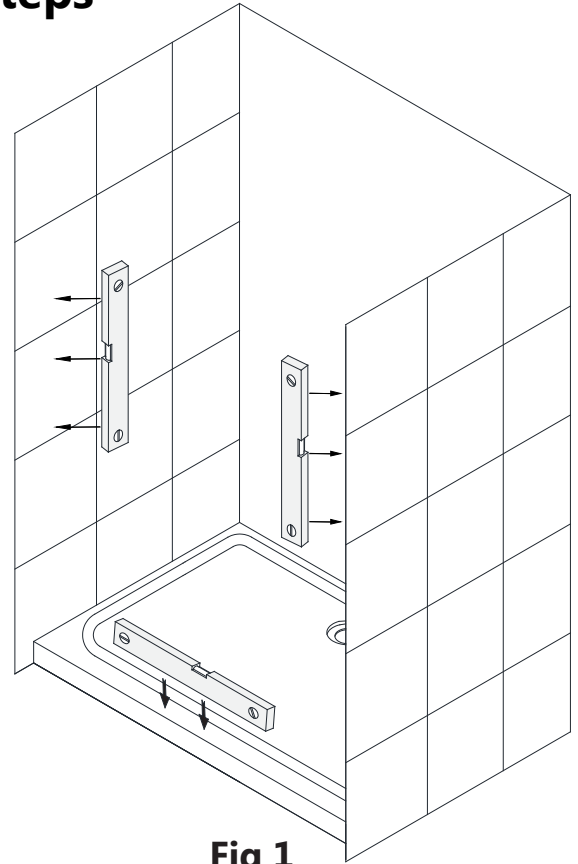


Fig 1

2. Use a chop saw (or a hacksaw) to cut the stainless steel **Guide Rail (#04)** from the door end **only** to fit the finished opening.

Measure the finished opening width at the model height:

- for **Shower** model: Measure the width at a height of 72-1/4"
- for **Tub** model: Measure the width at a height of 58-1/4"

This will be dimension (**W**).

The **Guide Rail (#04)** is **1" less** than the model size and will need to be **cut to 1" less than the finished opening size (W)**:

Finished opening (W) - 1" = finished cut length

(Fig 2a and Fig 2b)

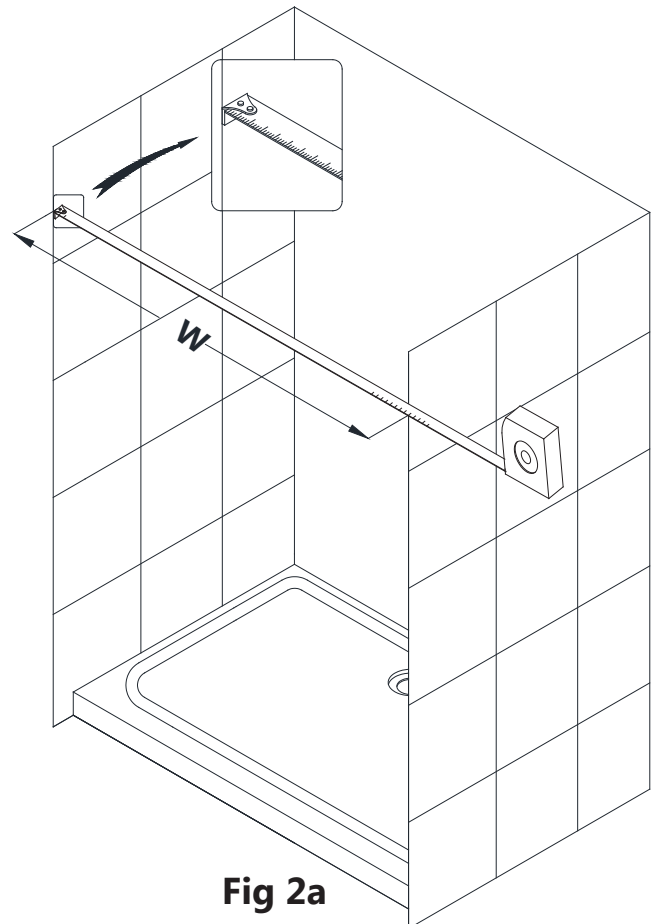
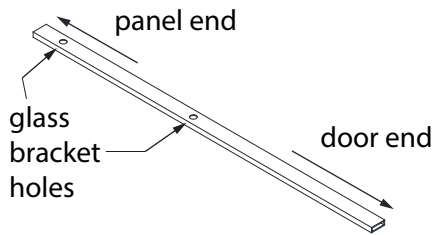


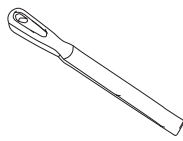
Fig 2a



Cut the **Guide Rail (#04)** from the **door end only** which is the end opposite from the glass bracket holes.

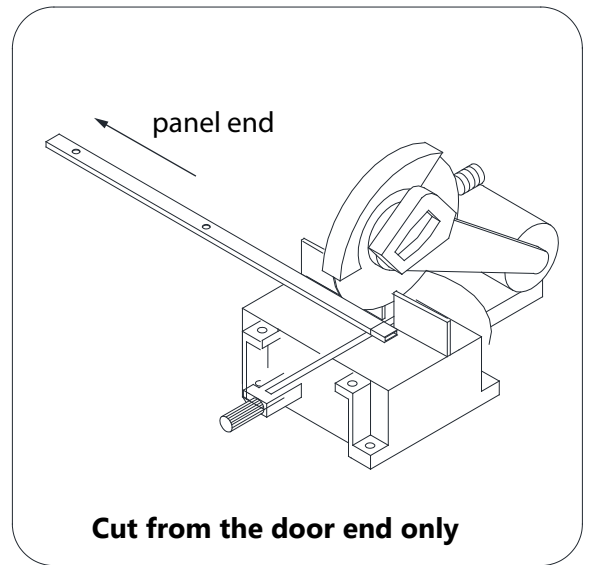


NOTE: Use a metal file to remove any burrs from the cut end of the **Guide Rail (#04)**.



Metal File

Finished opening (W) - 1" = finished cut length



Cut from the door end only

Fig 2b

3. This model requires a minimum 2-1/4" of flat threshold space for installation.

Starting from the wall on the stationary panel side, use a Carpenter's Square as a guide and draw a reference line on the threshold. Extend this line across the threshold to the opposite wall to use for reference to accurately install the **Guide Rail Bracket (#06)** on the door-side of the opening in Step #18. (Fig 3)

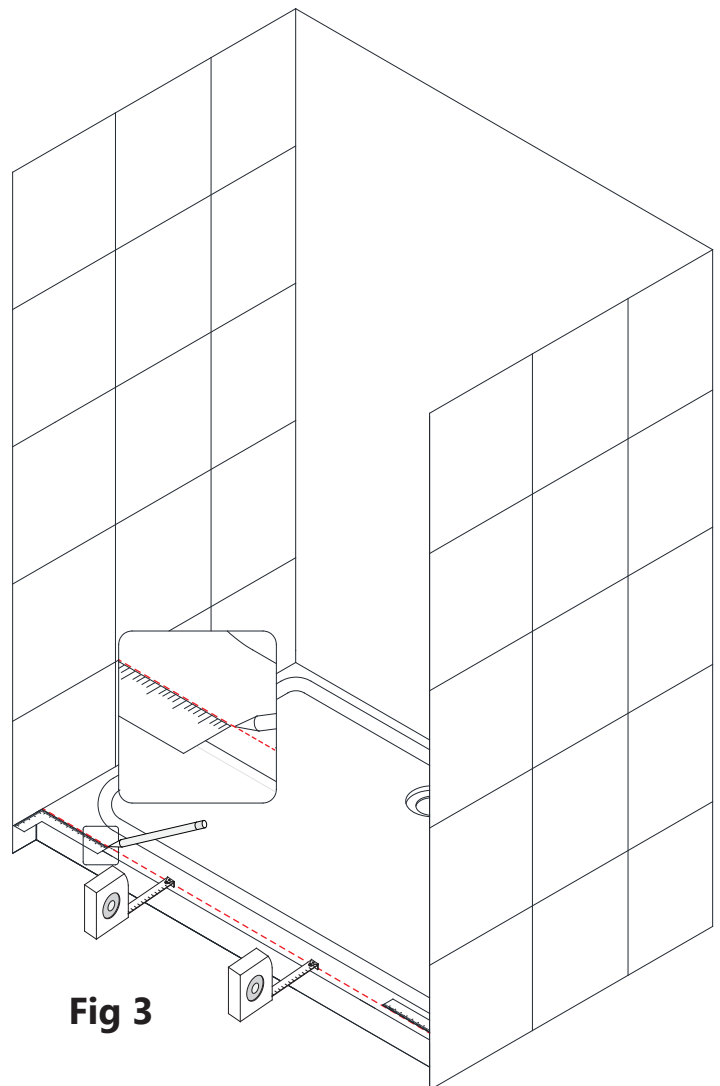
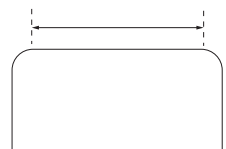


Fig 3

2-1/4" minimum flat threshold space



4. Align the outside edge of the **U-Channel (#01)** with the inside of the mark on the threshold. Use a level to plumb the **U-Channel (#01)** and mark its position on the wall. Mark the four holes for drilling through the pre-drilled holes in the **U-Channel (#01)**. (**Fig 4**)

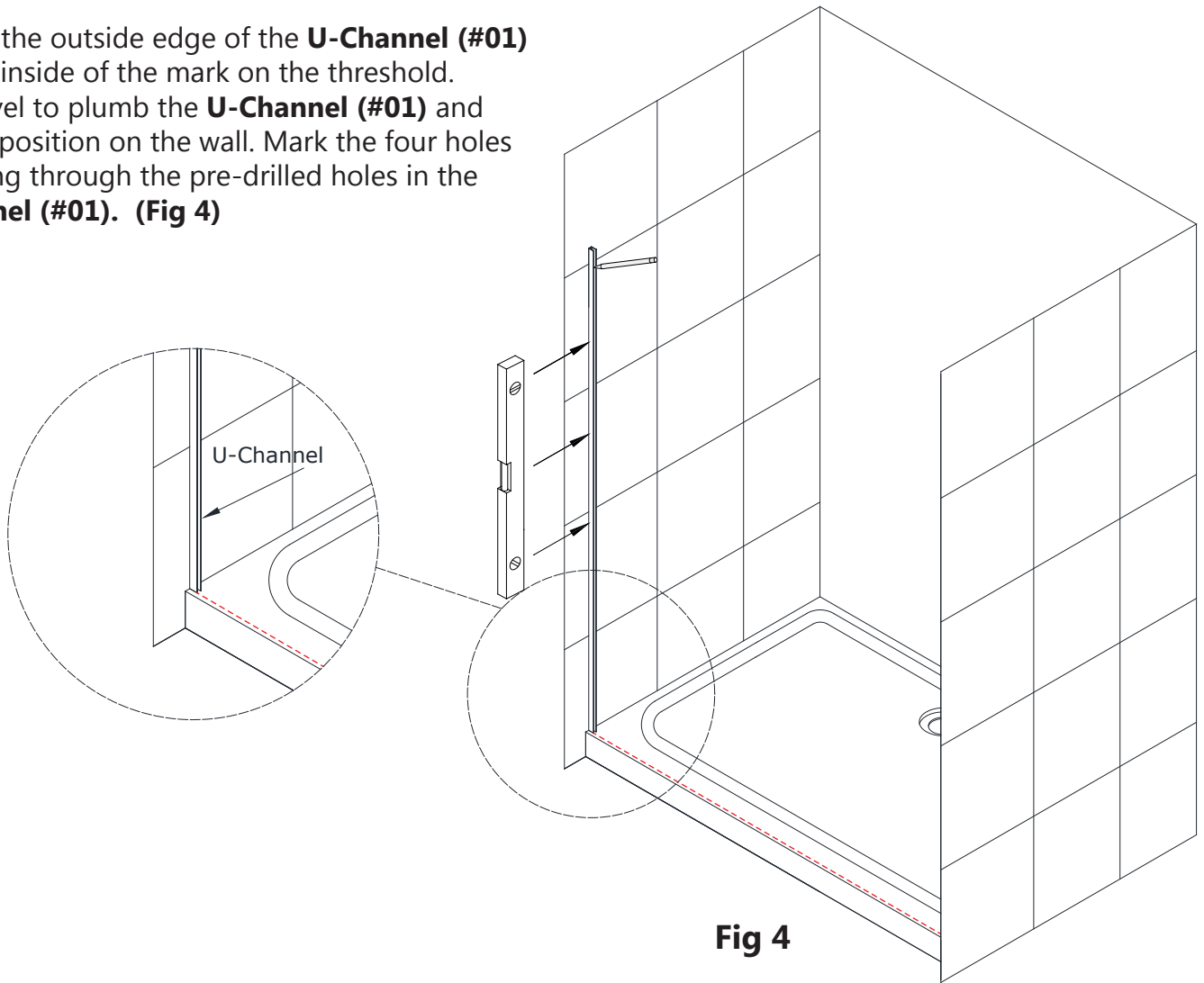


Fig 4

5. Remove the **U-Channel (#01)** from the wall and drill the anchor holes using a **Ø5/16"** drill bit and insert the **5/16"** **Wall Anchors (#16)**. Add a bead of silicone to the back surface of the **U-Channel (#01)** and attach it to the wall using four of the **ST4.0 x 40 Pan Head Screws (#17)**. (**Fig 5**)

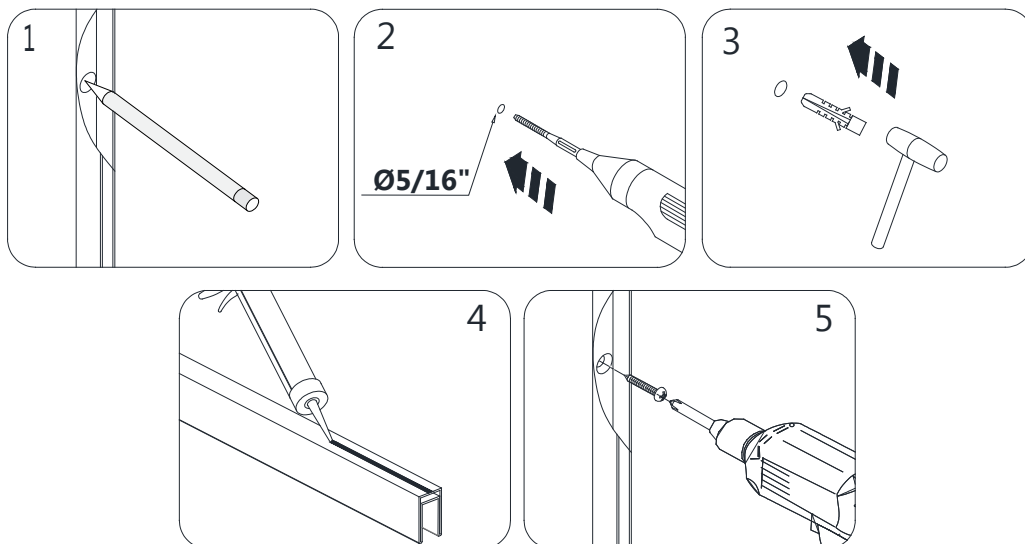
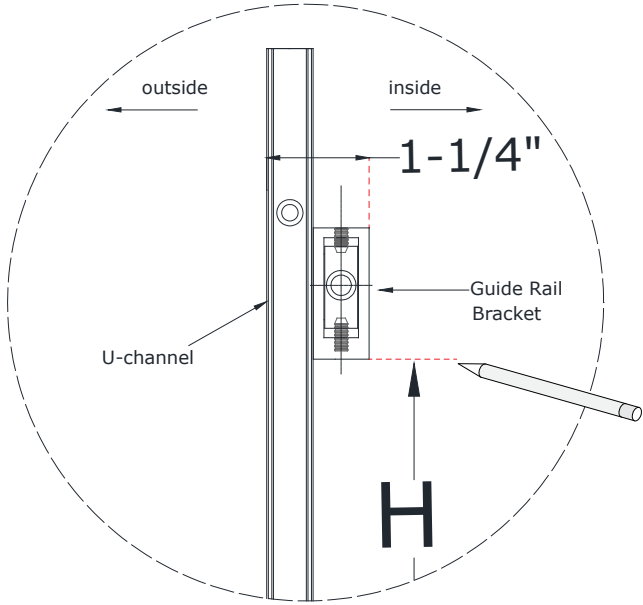


Fig 5



Right hand door installation shown as example

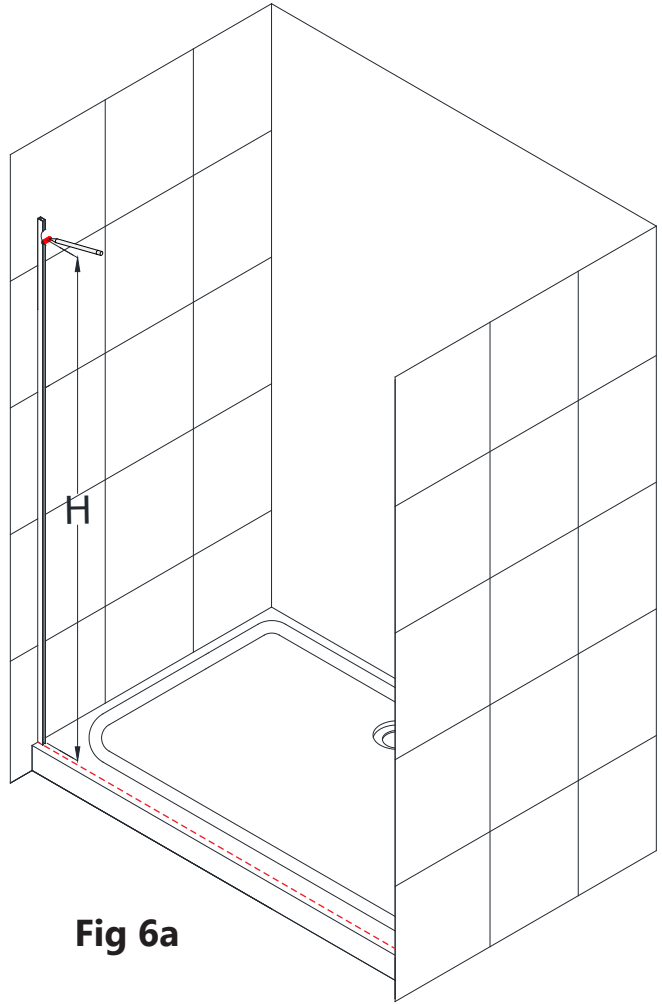


Fig 6a

6. To position the **Guide Rail Brackets (#06)**: From the inside of the shower, measure up from the threshold to the mark the bottom of the **Guide Rail Bracket (#06)** using **Table 1** below. While holding the bracket against the edge of the installed **U-Channel (#01)**, mark the wall at the bottom of the bracket to the correct installation height. (**Fig 6a and Fig 6b**)

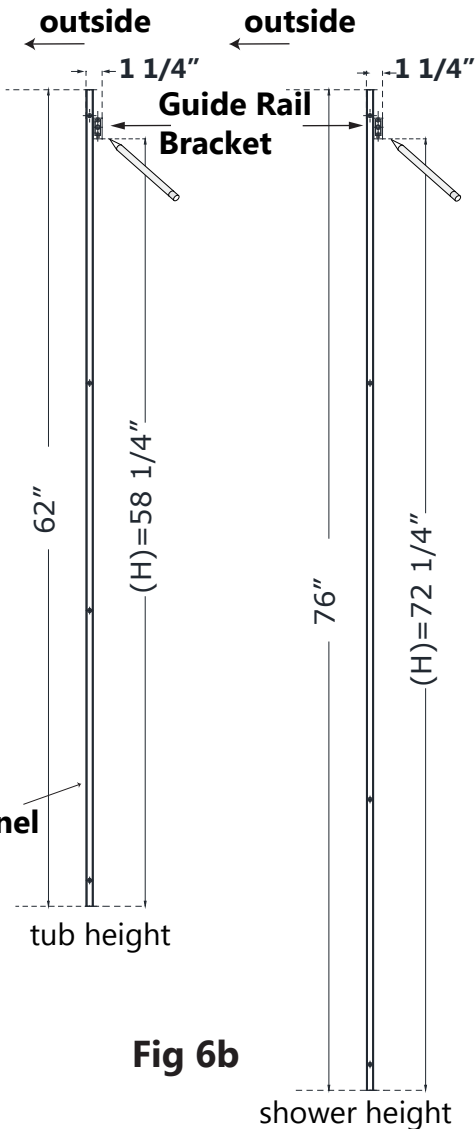


Fig 6b

GUIDE RAIL BRACKET HEIGHT

MODEL HEIGHT	H =
76" shower	72-1/4"
62" tub	58-1/4"

Table 1

7. Hold the **Guide Rail Bracket (#06)** in the marked position and mark the hole for drilling through the **Guide Rail Bracket (#06)** using a pencil (or center punch). (**Fig 7**)

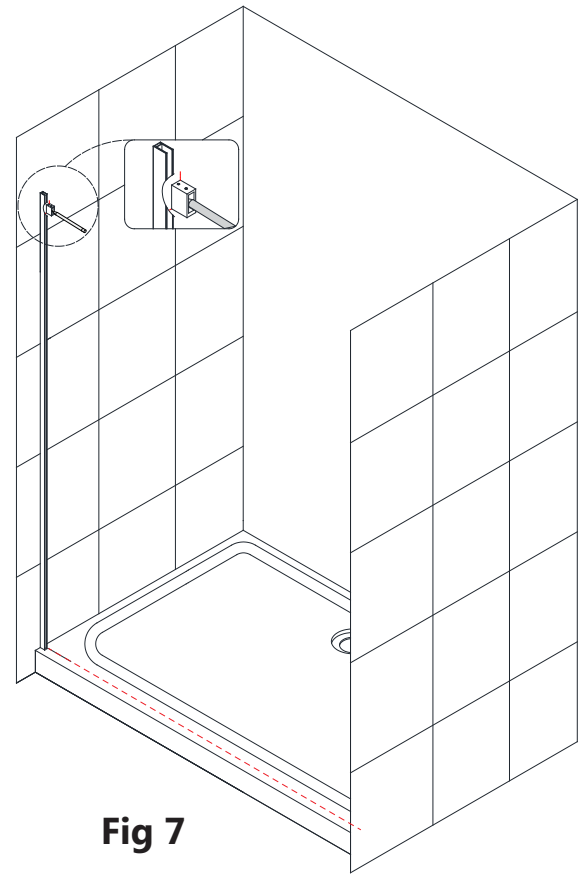
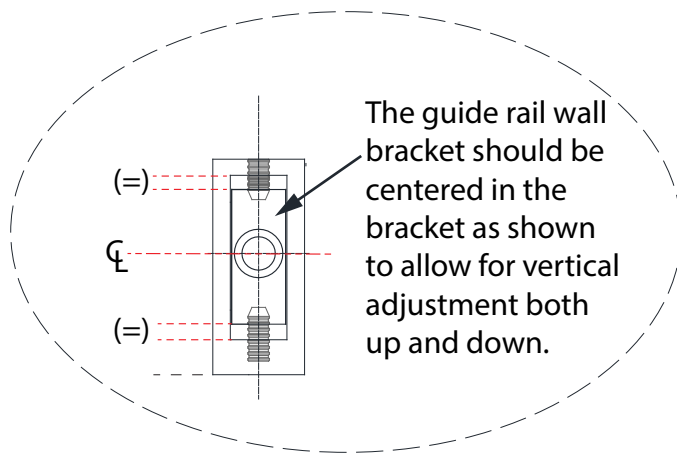
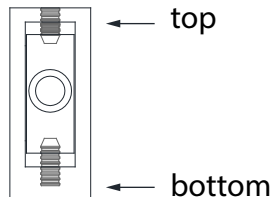


Fig 7



Note that the bottom of the bracket is thicker than the top and must be installed correctly



8. Drill either a $\text{Ø}5/16''$ hole and insert a $5/16''$ **Wall Anchor (#16)**, (OR when installing to a stud, drill a $\text{Ø}1/4''$ hole up to the wood and do not use an anchor.) ***See notes below.** Separate the **Guide Rail Bracket (#06)** components **6a** and **6b**. Install the **Guide Rail Wall Bracket (#06b)** to the wall using one **ST4.2 x 55 Countersunk Screw (#21)**. (**Fig 8**)

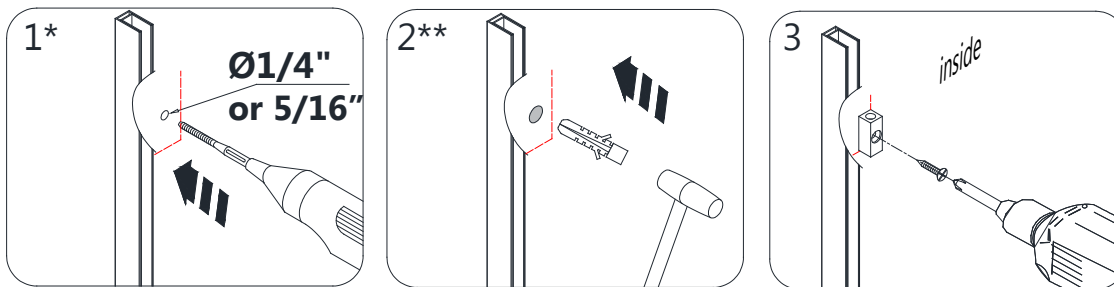
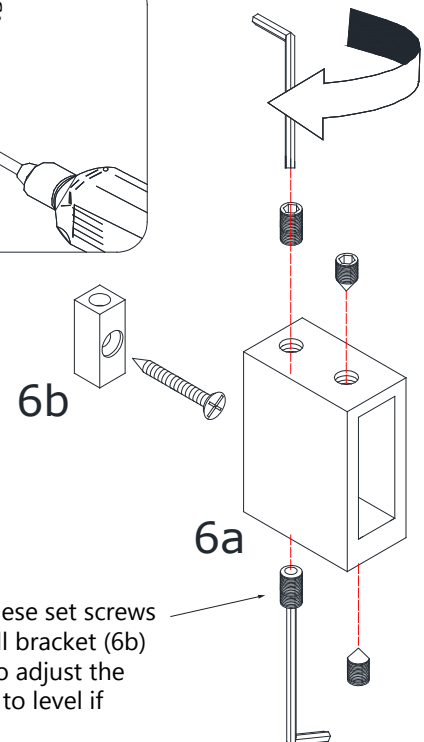


Fig 8



***NOTE:** Installation of the Guide Rail brackets into a stud or 2" x 6" wood reinforcement is strongly recommended.

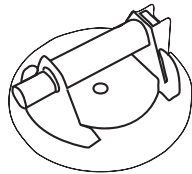
****NOTE:** When installing to a stud, drill a $\text{Ø}1/4''$ hole up to the stud and do not use the anchors.



9. Insert the **Stationary Glass (#02)** into the installed **U-Channel (#01)**. (**Fig 9**)



Use Caution not to bang the glass into the U-Channel or threshold.



Use a Professional-grade Glass suction cup (if available) when handling heavy glass.

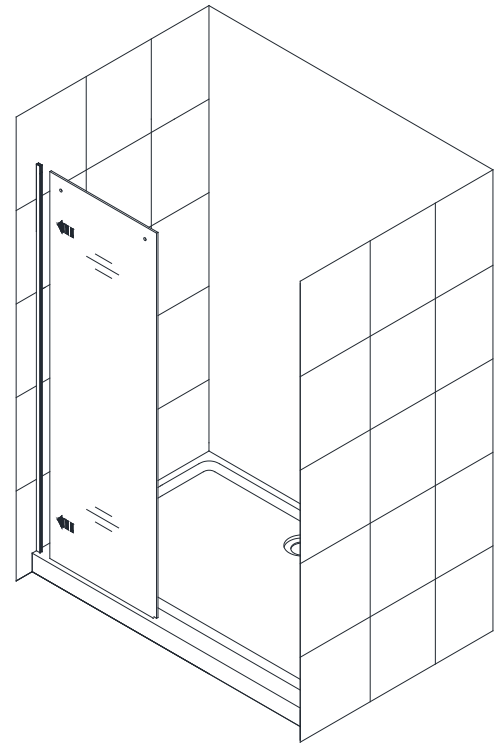
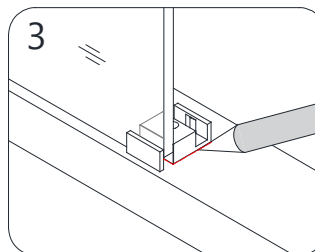
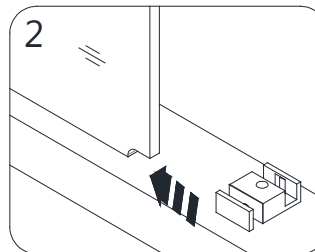
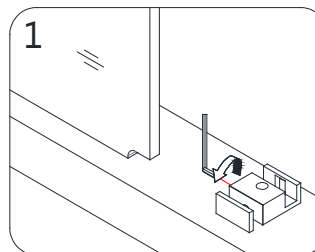
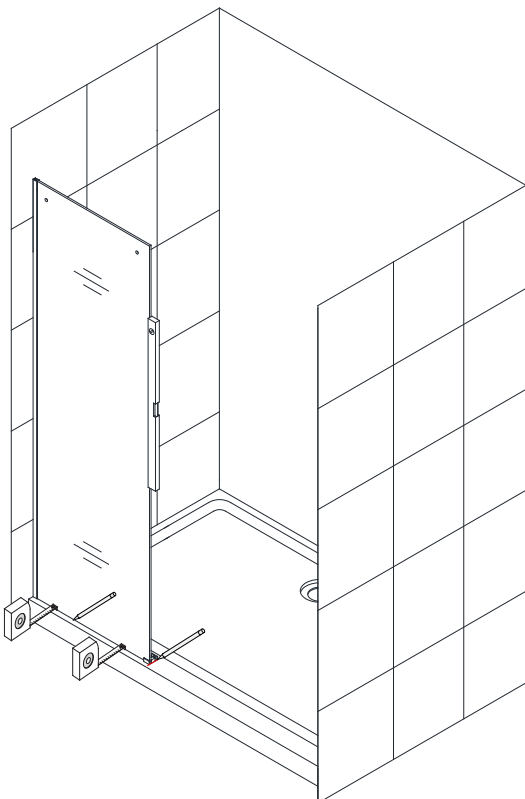
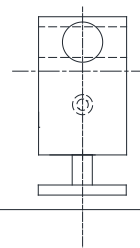


Fig 9

10. Make sure the **Stationary Glass (#02)** is parallel to the front edge of the threshold and mark it. Slide the **Guide Block (#12)** into the notch of the **Stationary Glass (#02)**, and align flush with the edge of the glass. Mark its position on the threshold and also mark the hole for drilling using a pencil (or center punch). (**Fig 10**)



overhead view of threshold & guide block



Guide Block must be installed square to the plane of the glass

Fig 10

11. Remove the **Stationary Glass (#02)** from the **U-Channel (#01)** and carefully set it aside. **(Fig 11)**

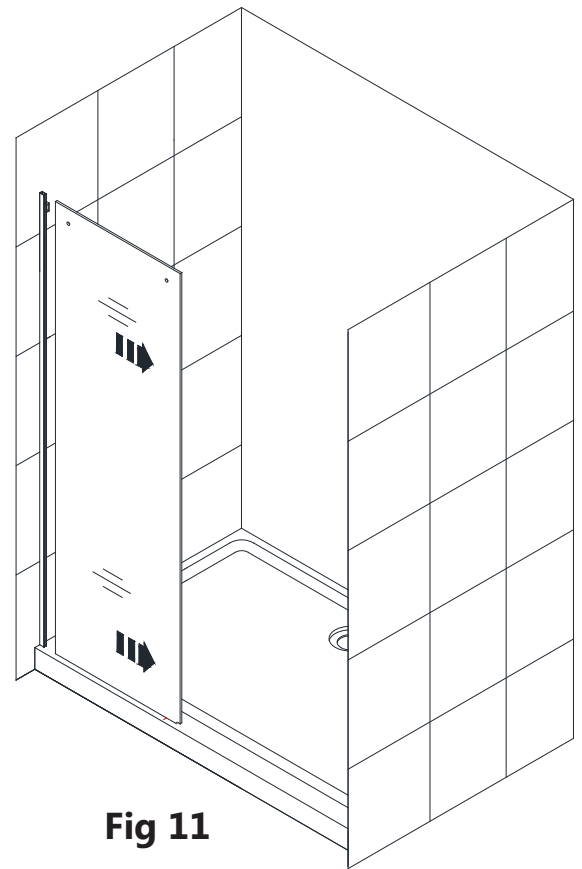


Fig 11

12. To install the **Guide Block (#12)**: Loosen the set screw on the side and remove the **guide block face plate (Fig 12.5)**. Apply silicone to the underside of the **Guide Block (#12)** and screw the **Guide Block (#12)** to the threshold as described below:

***NOTE:**

▪ **For installation into an Acrylic threshold:**

- drill an $\text{Ø}1/8''$ (3mm) hole and use the **ST4.0 x 25 Pan Head Screw (#18)**

OR

▪ **For installation into a Tile threshold:****

- drill a $\text{Ø}3/16''$ (4mm) hole up to the stud and use the **ST4.0 x 40 Pan Head Screw (#17)**.

Note: For Tube installations: the bottom bracket must be screwed down to the tub deck. **(Fig 12)**

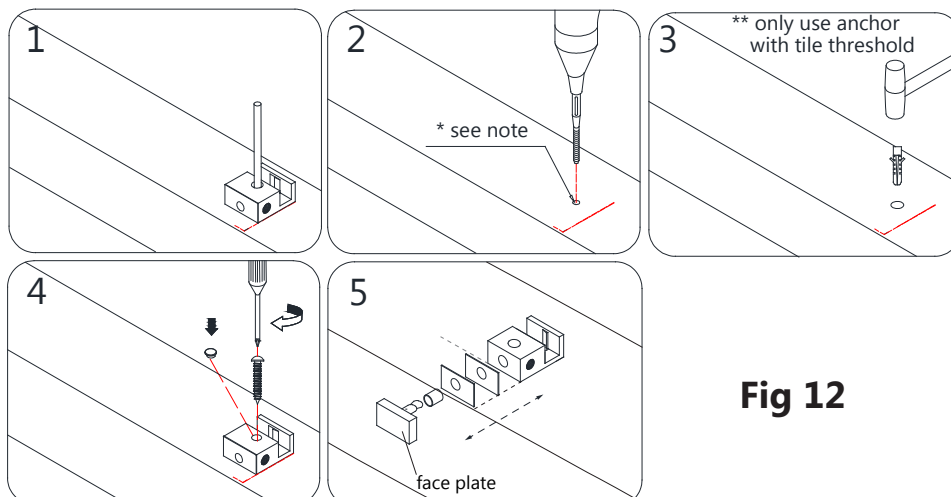
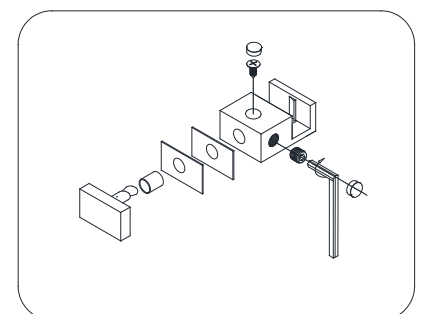


Fig 12



Part#12 - Guide Block (with caps)

! **TIP:** Bring the **Door Glass** into the shower before permanently installing the **Stationary Panel Glass** and guide rail because it may be difficult to safely bring the door glass into the shower after the guide rail is installed.

13. Apply silicone into the **U-Channel (#01)**. Slide the **Stationary Glass (#02)** firmly into the installed **U-Channel (#01)**. (Fig 13)

! **Use Caution not to bang the glass into the U-Channel or threshold. Leave the corner protectors on the glass until it is necessary to remove them.**

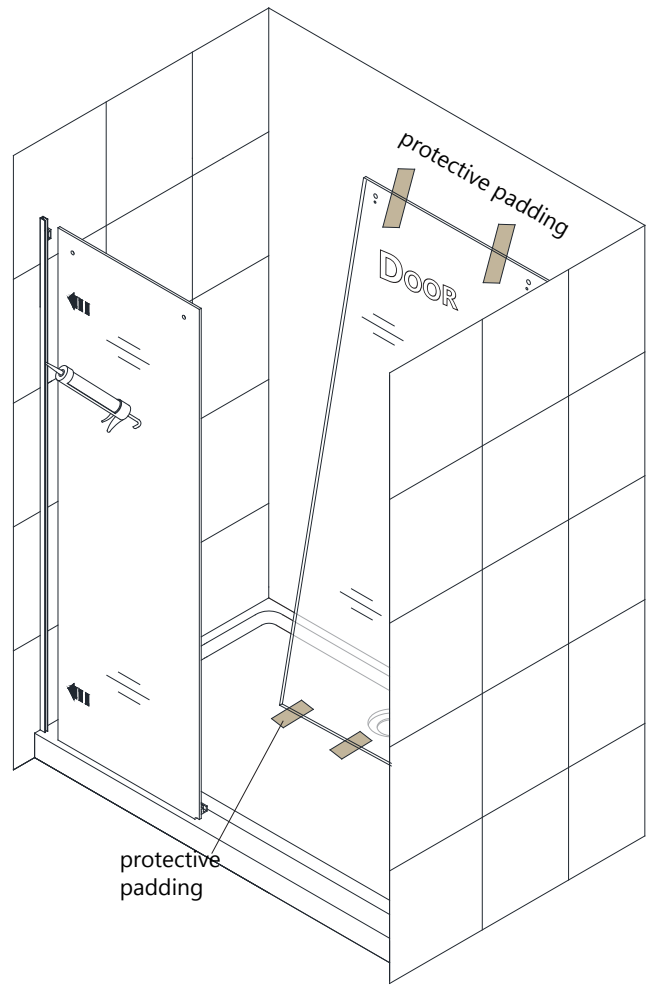
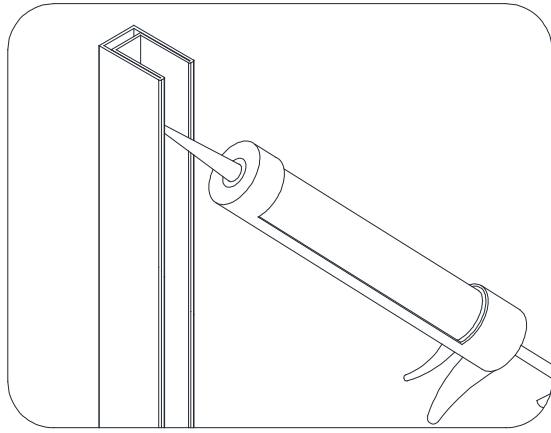


Fig 13

14. Attach the **Stoppers (#05)** and **Guide Rail Brackets (#06)** to both ends of the **Guide Rail (#04)**. Be sure to slide the panel side stopper (Fig 14.1) beyond the first glass holder hole. (Fig 14)

! **NOTE:** Be careful not to scratch the guide rail with the brackets and stoppers. **Loosen the set screws before installation.**

Right-hand door installation shown as example

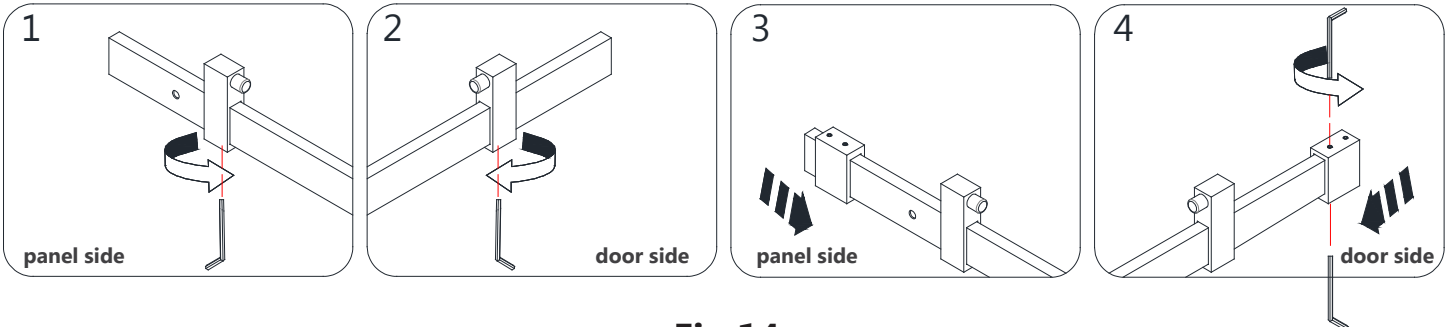


Fig 14

15. Align the panel end of the **Guide Rail (#04)** with the installed **Guide Rail Wall Bracket (#6b)**. Slide the **Guide Rail Bracket (#6a)** over the **Guide Rail Wall Bracket (#6b)** and tighten the set screws. **(Fig 15)**

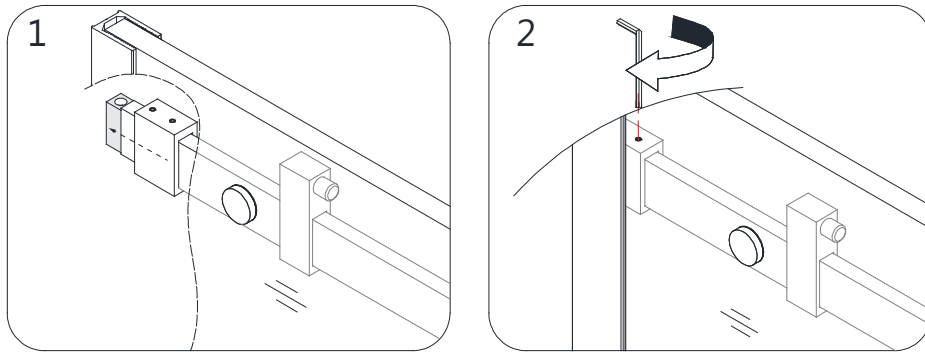


Fig 15



TIP: Leave the set screws that hold the guide rail to the bracket loose to allow for side-to-side adjustment of the guide rail to make it easier to align the holes in the guide rail with the holes in the panel glass. **These set screws must be tightened after the holes are aligned and the Glass Brackets are installed.**

16. Attach the **Stationary Glass (#02)** to the **Guide Rail (#04)** using the **Glass Brackets (#07)**. **(Fig 16)**

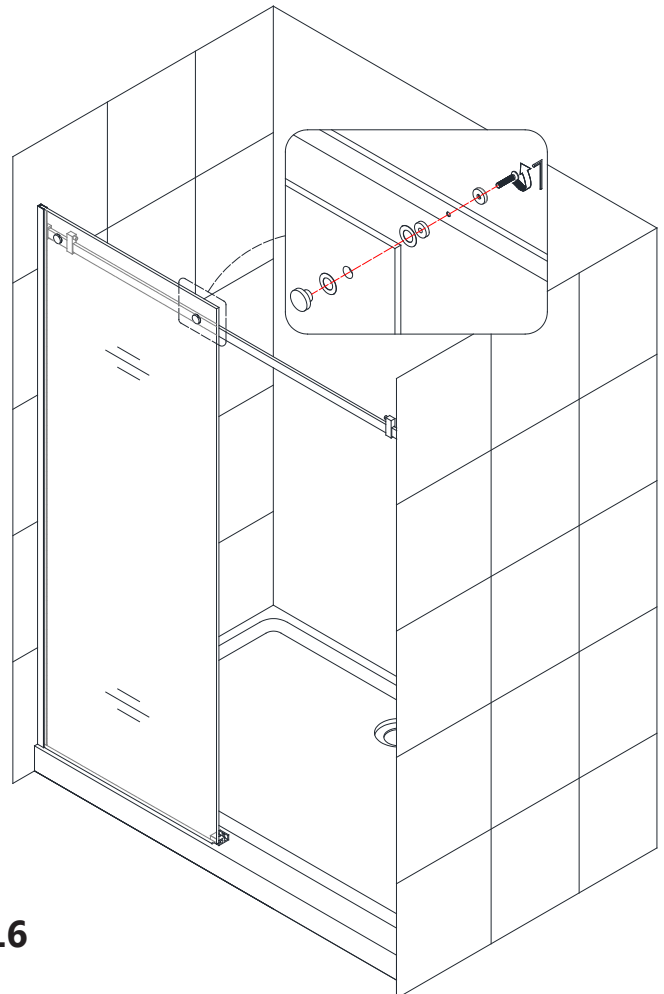
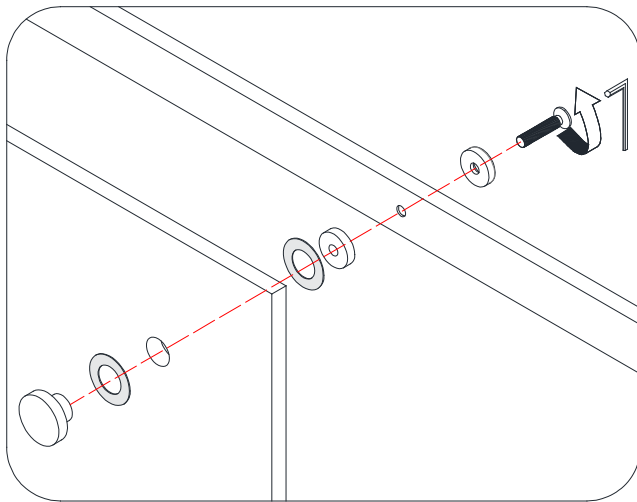


Fig 16

17. Level the **Guide Rail (#04)** across the opening.
 If necessary, use the set screws on the **Guide Rail Bracket (#06)** to adjust the level of the **Guide Rail (#04)** and then fully tighten the **Glass Brackets (#07)**. (**Fig 17 and Fig 18**)

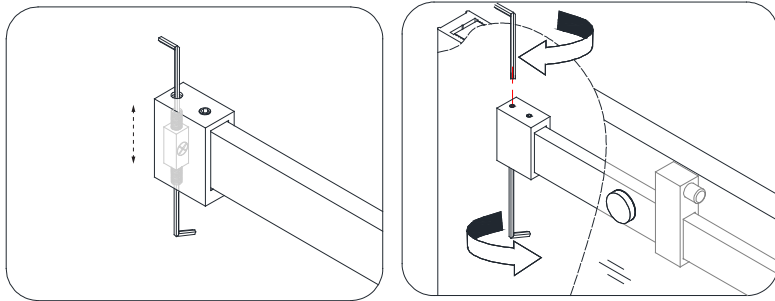
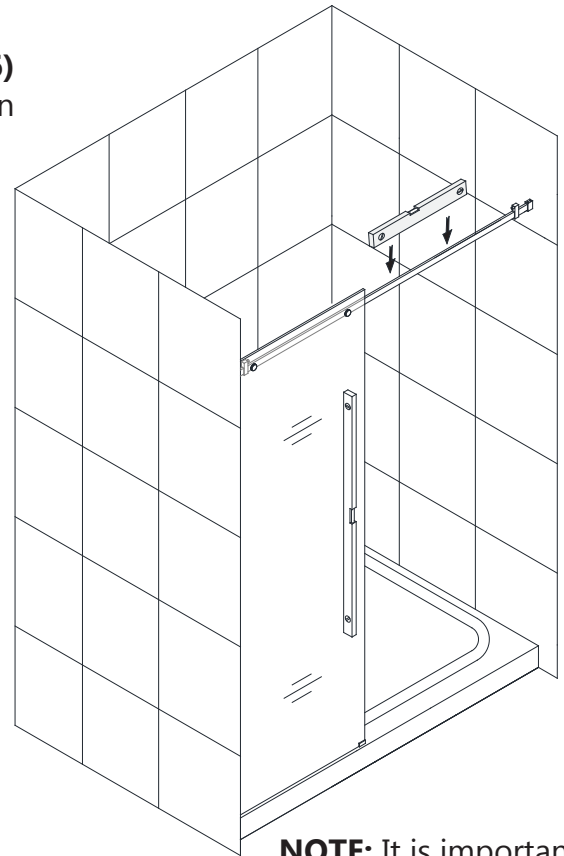


Fig 17



To lower the rail:

Loosen the top set screw and tighten the bottom set screw.

To raise the rail:

Loosen the bottom set screw and tighten the top set screw.

18. Using the reference mark on the door-side of the threshold from Step #3, draw a plumb line up the wall on the door side of the opening. Measure over 1-1/4" into the shower from this line. With the **Guide Rail (#04)** level, mark the position of the **Guide Rail Bracket (#06)** on the wall. (**Fig 18**)

NOTE: It is important that the guide rail is level when marking the position of the Guide Rail bracket on the wall.

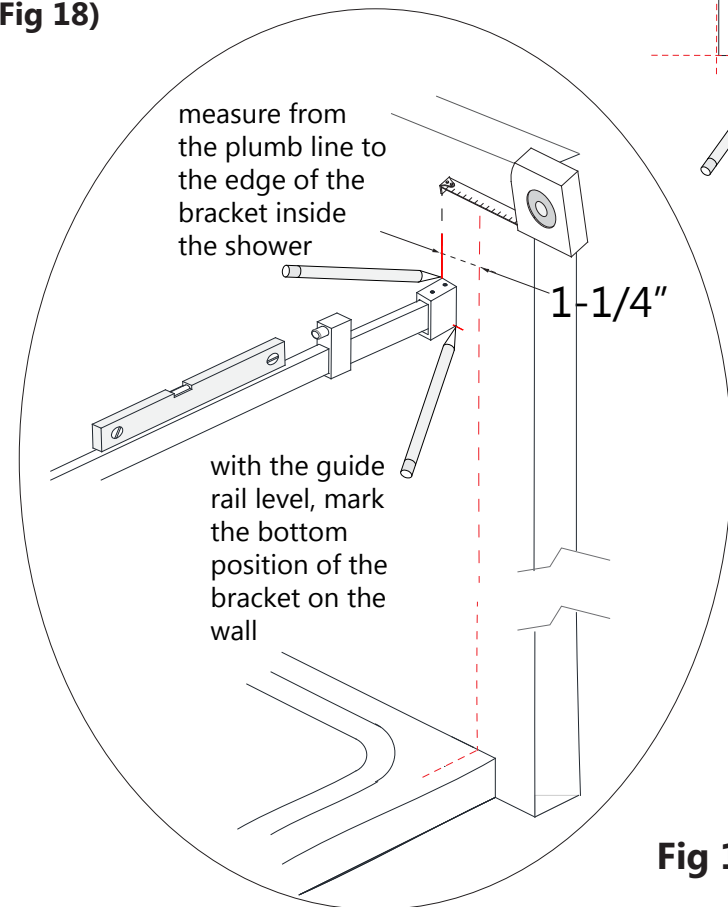
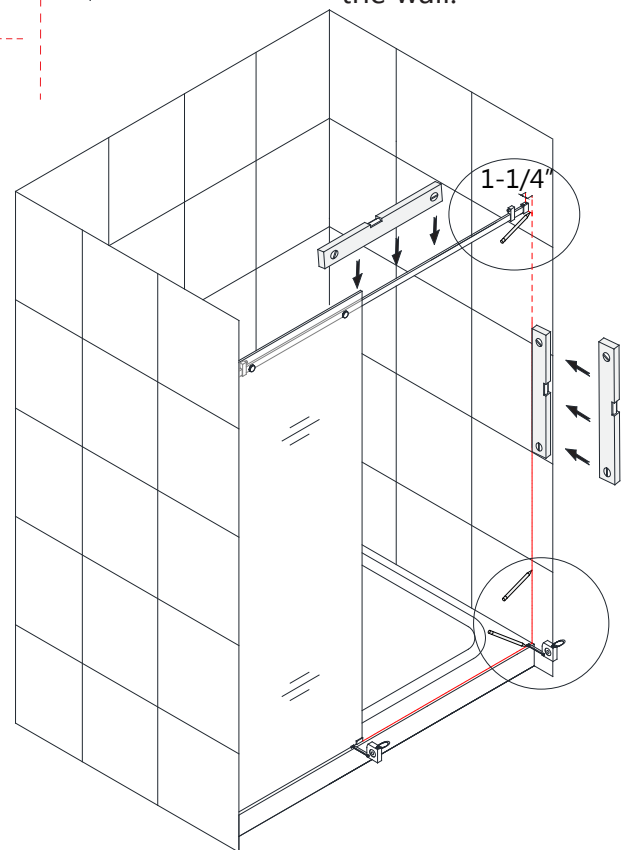


Fig 18



19. Remove the **Guide Rail (#04)** from the **Stationary Panel Glass (#02)**. Remove the **Guide Rail Bracket (#06)** from the **Guide Rail (#04)** and hold it back in position on the wall and mark the anchor hole. Drill either a $\text{\O}5/16''$ hole and insert a $5/16''$ **Wall Anchor (#16)**, OR when installing to a stud, drill a $\text{\O}1/4''$ hole up to the wood and do not use an anchor. ***See notes below.** Separate the **Guide Rail Bracket (#06)** components **6a** and **6b**. Attach the **Guide Rail Wall Bracket (#06b)** to the wall using one **ST4.2 x 55 Countersunk Screw (#21)**. (Fig 19)

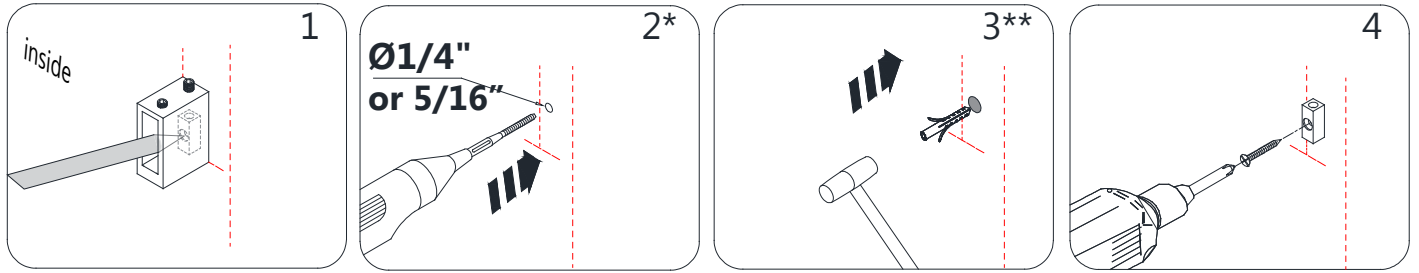
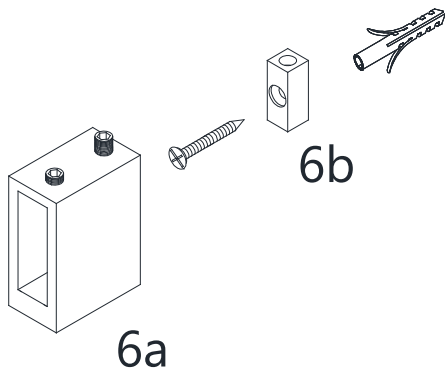


Fig 19



***NOTE:** Installation of the Guide Rail brackets into a stud or 2" x 6" wood reinforcement is strongly recommended.

****NOTE:** When installing to a stud, drill a $\text{\O}1/4''$ hole up to the wood and do not use the anchors.

20. Re-attach the **Guide Rail (#04)** to the **Stationary Glass (#02)** and attach the **Guide Rail Brackets (#06)**. (Fig 20)



NOTE: Be careful not to scratch the guide rail with the brackets or set screws.

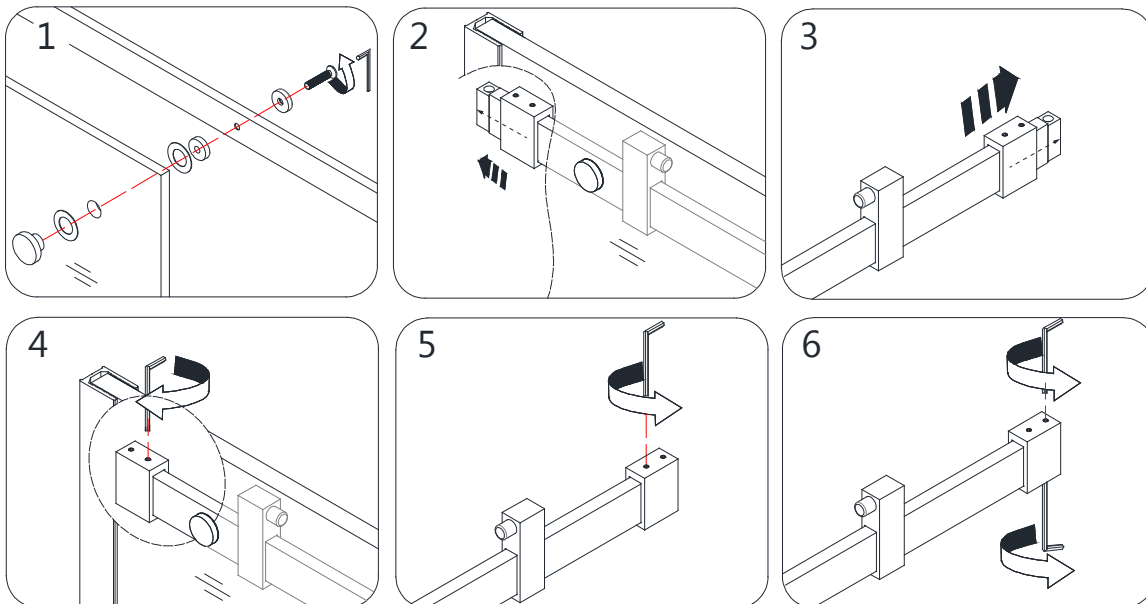


Fig 20

21. Re-check the **Guide Rail (#04)** for level and if necessary, adjust with the set screws on the **Guide Rail Bracket (#06)**. (**Fig 21**)

To lower the rail:
Loosen the top set screw and tighten the bottom set screw.

To raise the rail:
Loosen the bottom set screw and tighten the top set screw.

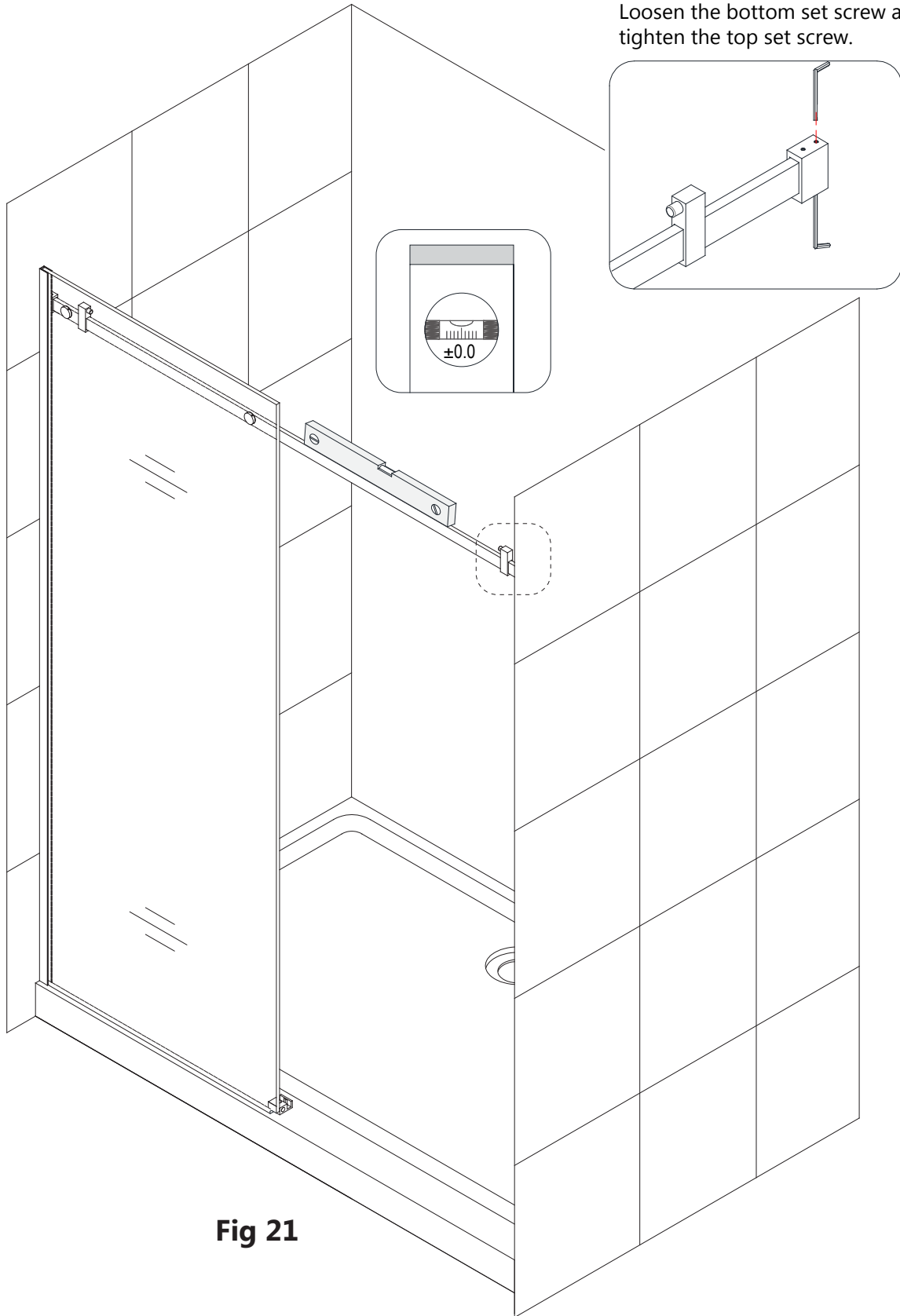


Fig 21

22. Measure the distance from the edge of the **Guide Block (#12)** to the wall. This distance will be (L). Cut the **Anti-Splash Threshold (#11)** to the size of: (L). (**Fig 22**)

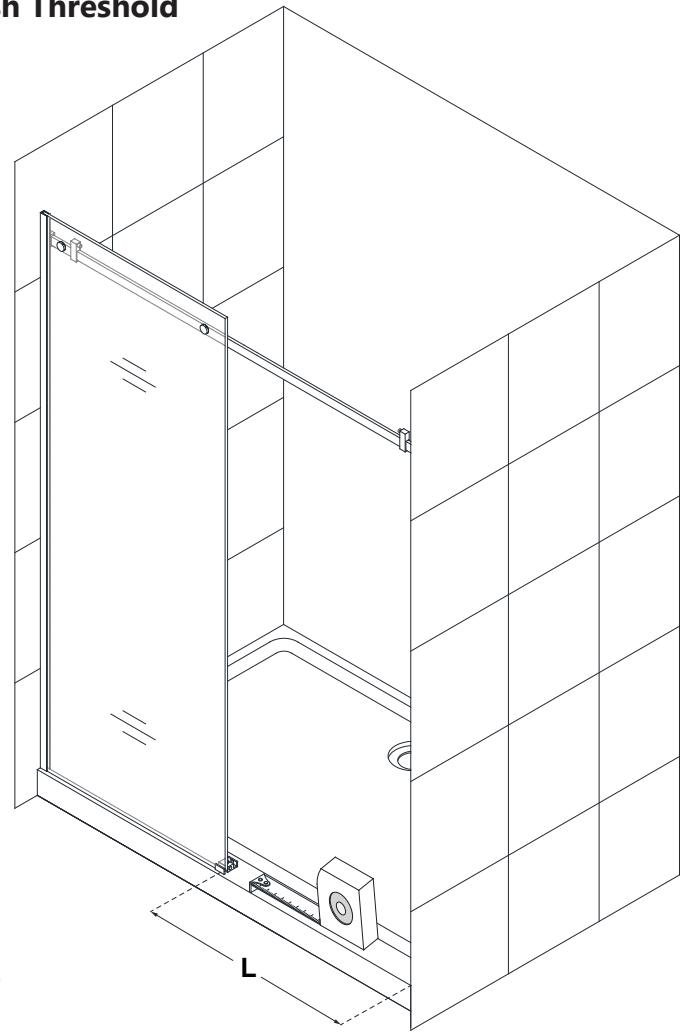
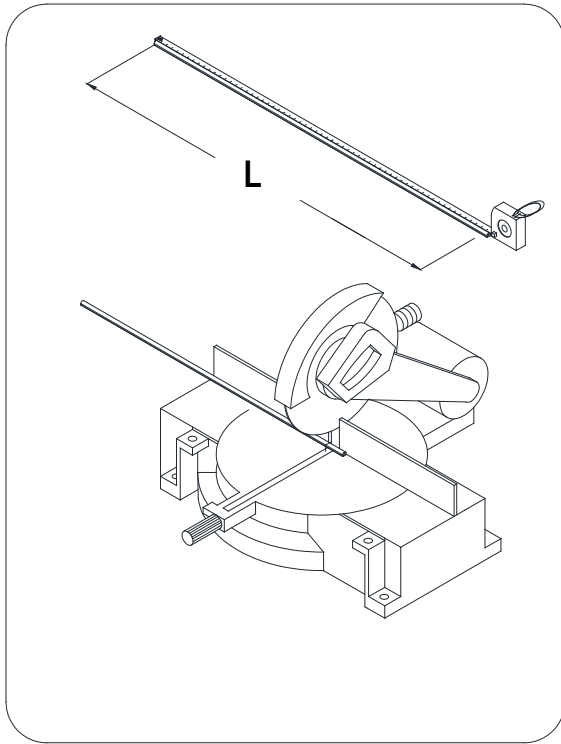
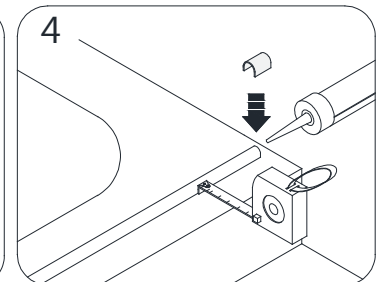
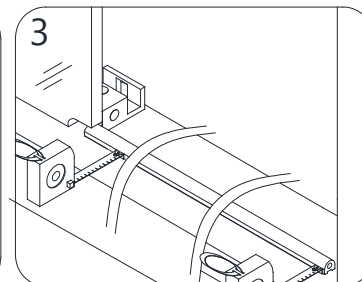
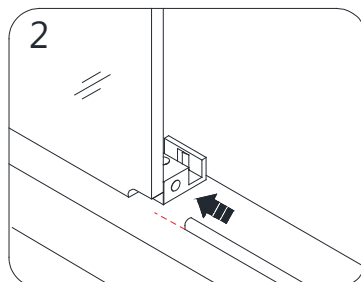
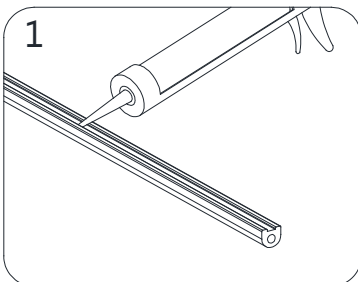
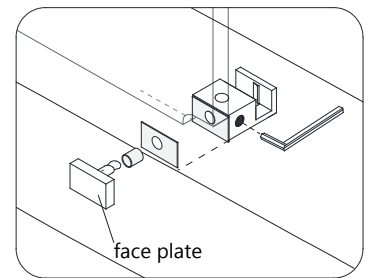


Fig 22

23. Apply silicone to the bottom of the **Anti-Splash Threshold (#11)**. Remove the **face plate** from the **Guide Block (#12)**. Insert one end of the **Anti-Splash Threshold (#11)** into the **Guide Block (#12)** and replace the **guide block face plate**.

Align the **Anti-Splash Threshold (#11)** parallel with the front edge of the shower base or threshold.

Cover the other end of the **Anti-Splash Threshold (#11)** with the **Threshold End Cap (#10)**. Apply a small amount of silicone onto the threshold and the wall to prevent leakage. (**Fig 23**)



Right-hand door installation shown as example

Fig 23

24. Secure the **Anti-Splash Threshold (#11)** to the threshold with several pieces of painter's tape to hold it tight to the threshold until the silicone fully cures. **(Fig 24)**



NOTE: DO NOT install the handle onto the door glass until instructed.

DO NOT attempt to lift the glass using the handle. This could result in damage to the glass and/or serious personal injury. Always use an assistant or a professional grade glass suction cup when handling heavy glass.

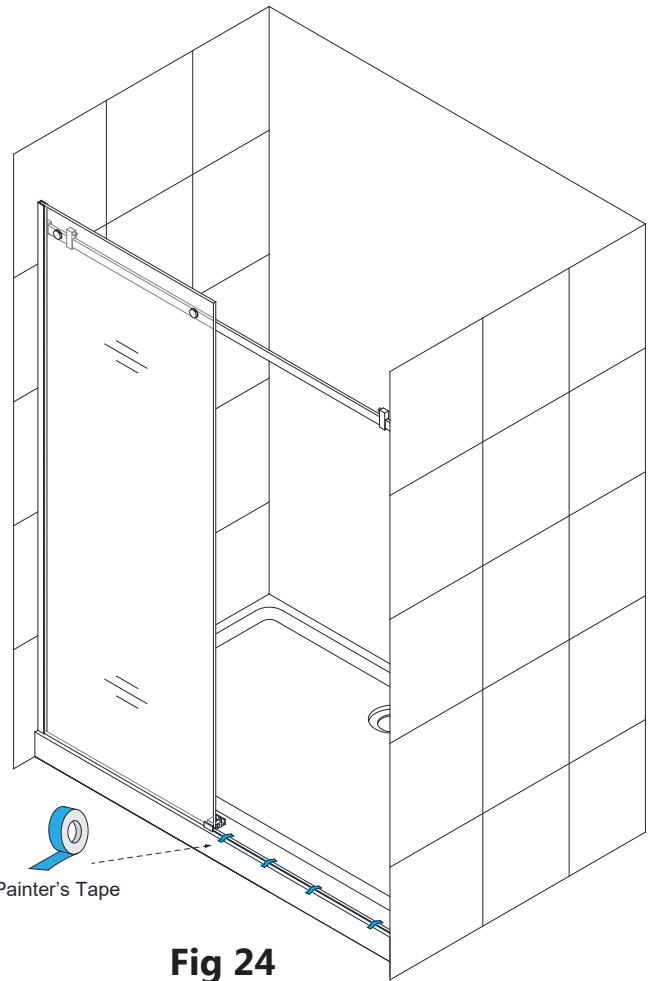


Fig 24

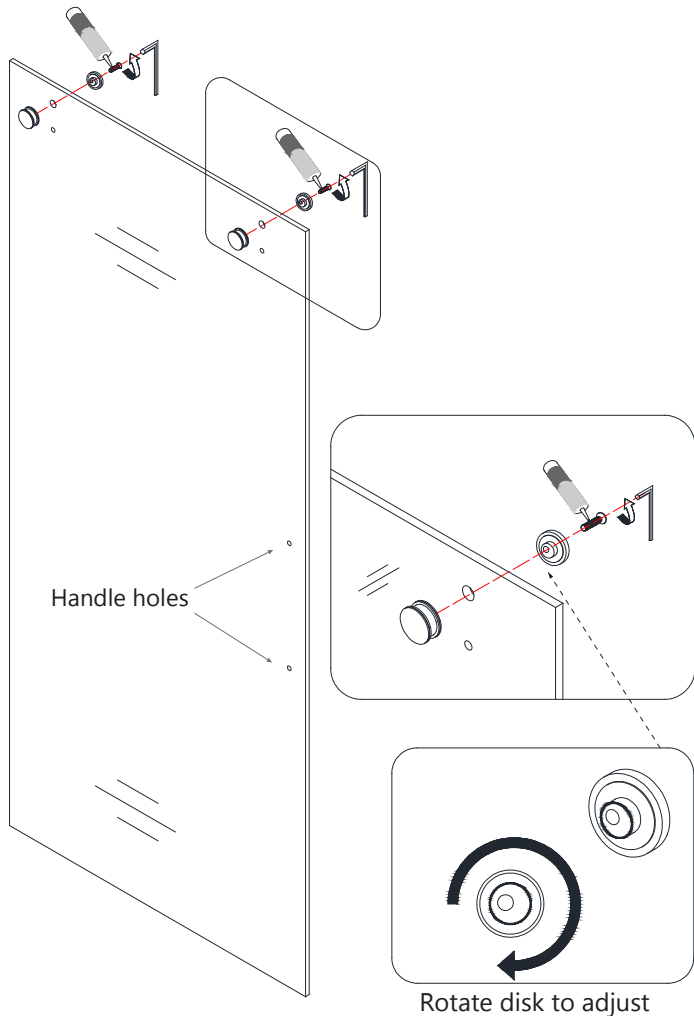


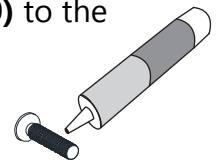
Fig 25

Right-hand door installation shown as example

25. Attach the **Rollers (#08)** to the **Door Glass (#03)** with the wheels facing out.

NOTE: The roller hardware disk can be rotated to tilt the door glass slightly to create a tight seal with the wall. Make any adjustments after all of the vinyl seals are installed to protect the edge of the door glass. **(Fig 25)**

NOTE: Apply **Thread Lock (#20)** to the roller bolts during installation.



To adjust the **Rollers (#08)**: Support the weight of the door glass with a shim or a glass suction cup. Loosen the roller bolt and rotate the adjustment disk to raise or lower the edge of the door glass. Hold the adjustment disk in place with a small Allen wrench and fully tighten the bolt.

26. Use an assistant or a professional grade glass cup to align the bottom of the **Door Glass (#03)** with the **Guide Block (#12)** and hang the door from the **Guide Rail (#04)**. (**Fig 26**)

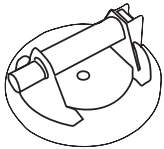
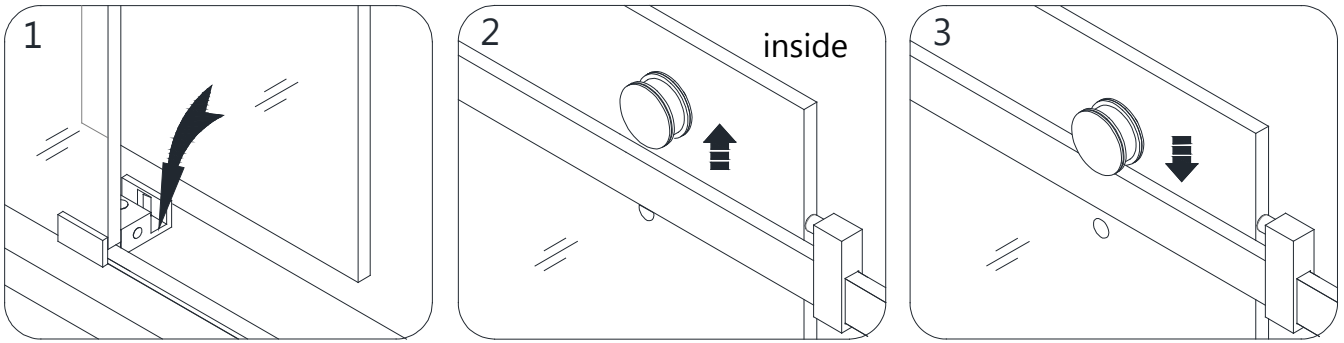
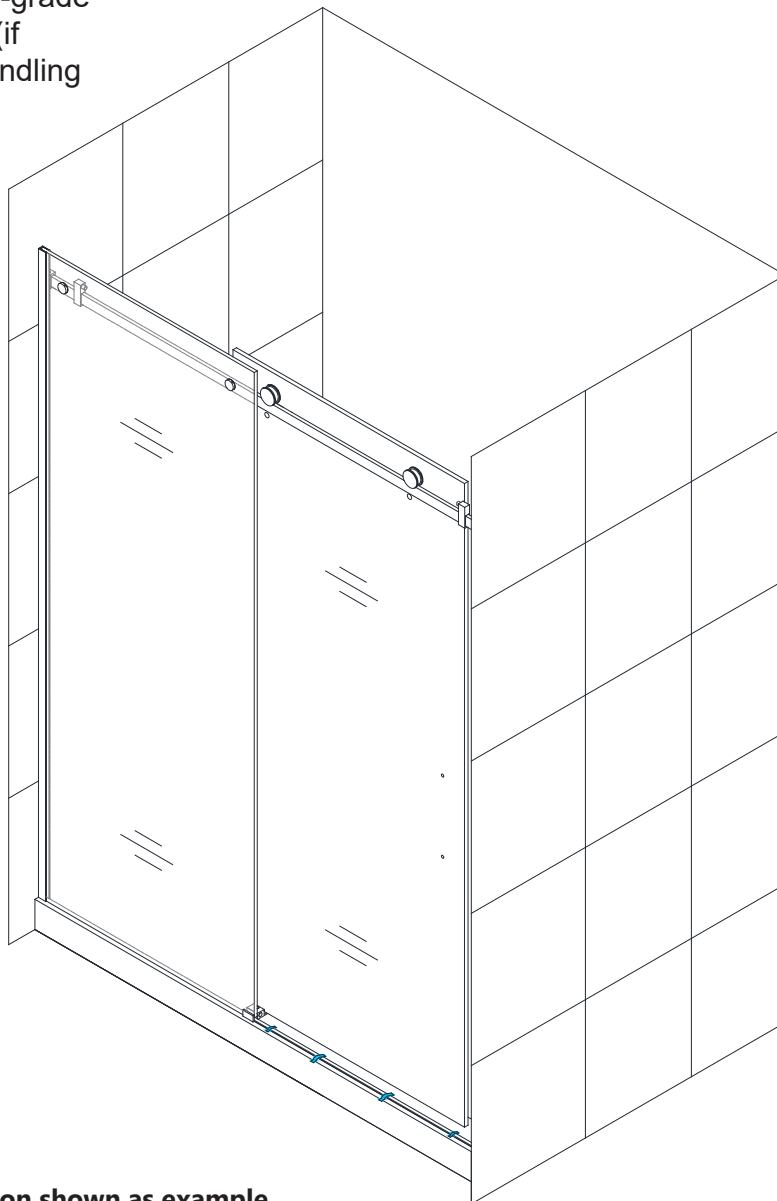


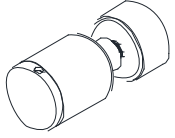
Fig 26

Use a Professional-grade Glass suction cup (if available) when handling heavy glass.

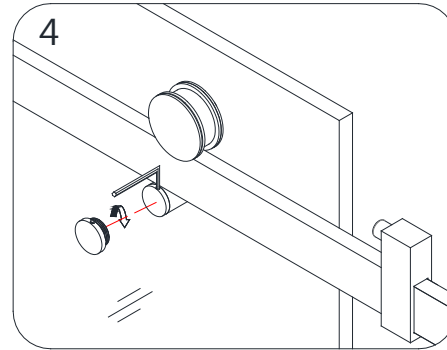
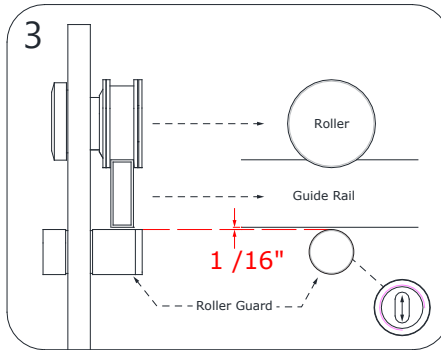
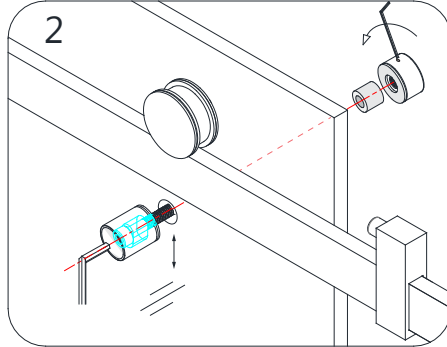
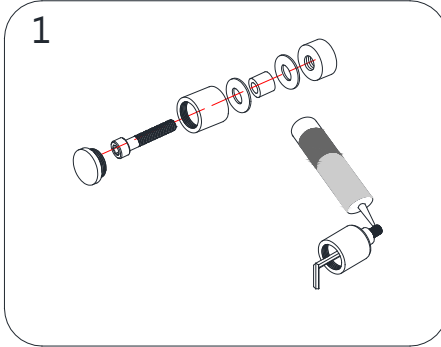
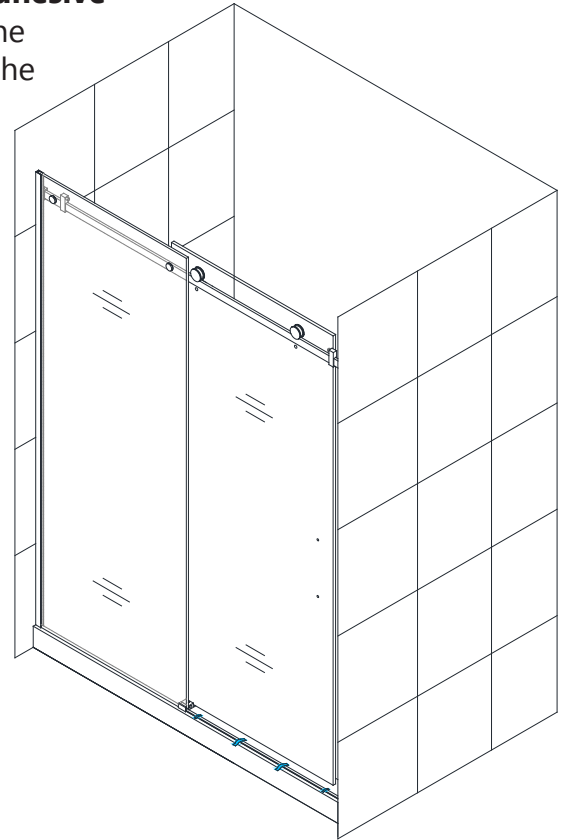


Right-hand door installation shown as example

27. Attach the two **Roller Guards (#09)** onto the door glass to secure the door to the **Upper Guide Rail (#04)**. **Apply Thread Lock Adhesive (#20) to the bolts.** Leave no more than a **1/16" gap** between the **Roller Guards (#09)** and the **Upper Guide Rail (#04)**. Tighten the post and screw on the cap. **(Fig 27)**



NOTE: Apply **Thread Lock (#20)** to the **Roller Guard bolt** during installation.



TIP: Position the roller guard 1/16" below the guide rail, hold the roller guard bolt with the Allen wrench and tighten the interior post using the small Allen wrench **(Fig 27.2)**

Fig 27

28. Attach the **Handle (#15)** to the **Door Glass (#03)**. Attach the **Anti-Water Strip (#13)** to the edge of the **Stationary Panel Glass (#02)** and to the **Door Glass (#03)**. Attach the **Bumper Seal Strip (#14)** to the handle side of the **Door Glass (#03)**. **(Fig 28)**

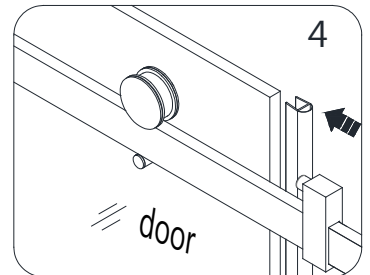
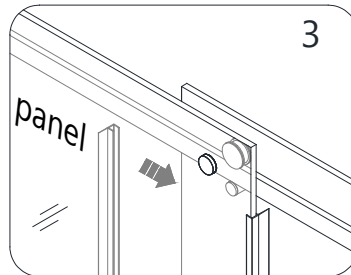
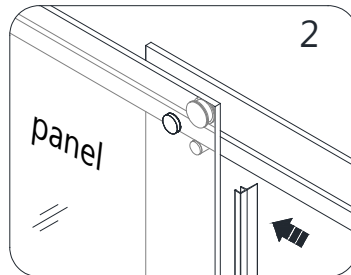
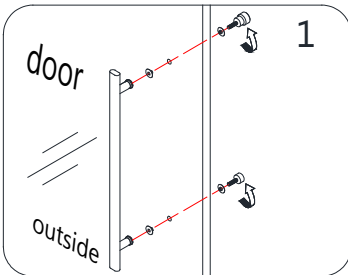


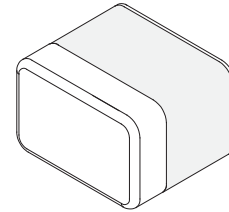
Fig 28

29. To install the **Bumper (#26) with the 3M tape:** Remove the **3M Tape** backing and position the **Bumper (#26)** onto the threshold against the **U-Channel (#01)** on the stationary panel side of the installation. (**Fig 29**)



NOTE: The surfaces need to be clean and free of construction debris before installing the bumper. Wipe the area with an alcohol swab before installation

TIP: Install the **Bumper (#26)** using the **3M tape**. Screwing the bumper to the wall using a **5/16"** hole and anchor is optional (see step 30).



The **Bumper (#26)** is reversible for Left (as shown below from inside the shower) or Right wall installation.

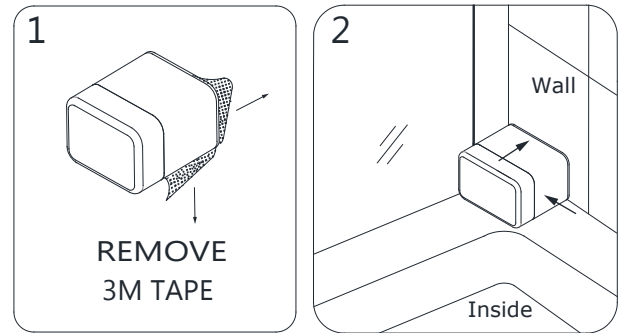
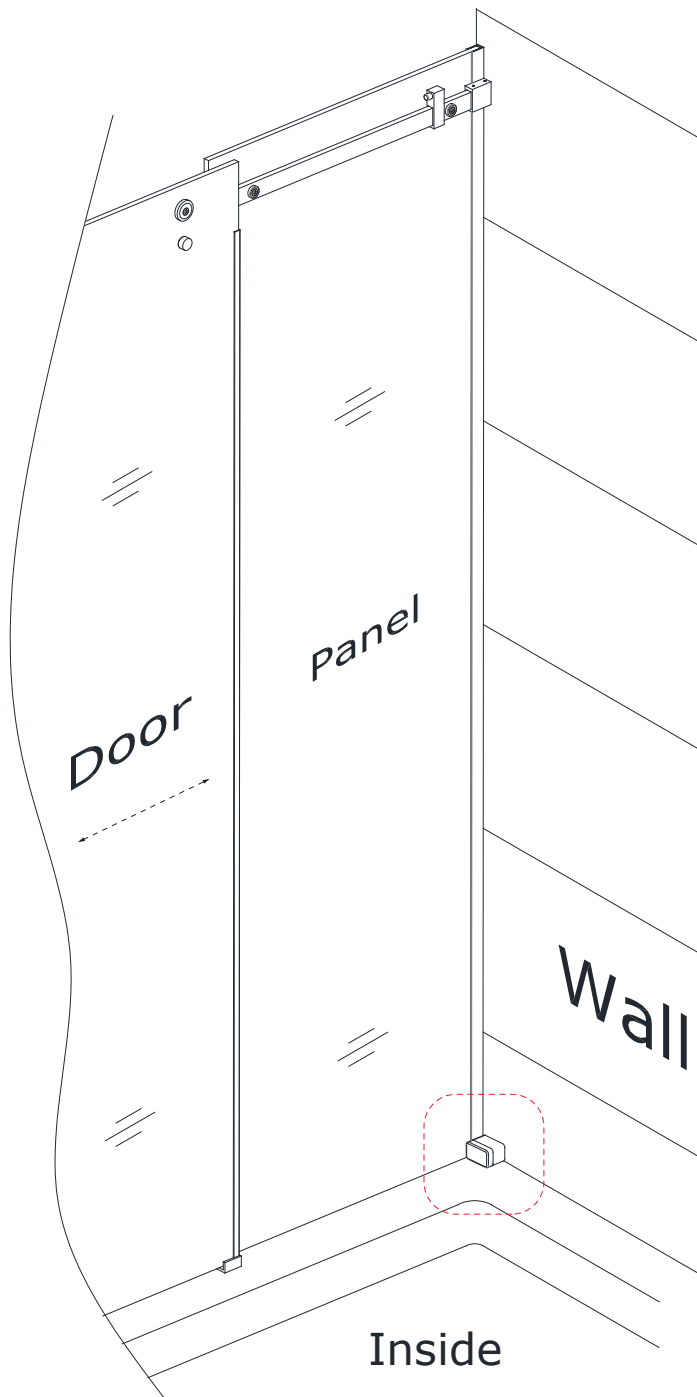


Fig 29

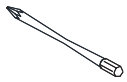


30. To install the **Bumper (#26) with the screw method:** Remove the PVC insert and position the **Bumper (#26)** onto the threshold against the U-Channel on the stationary panel side of the installation and mark the position of the hole on the wall. Drill a **Ø5/16"** hole and insert the **5/16" Wall Anchor (#16)**. Remove the 3M Tape backing and position the **Bumper (#26)** onto the threshold against the **U-Channel (#01)**. Screw to the wall using the **ST4.2 x 55 Countersunk Screw (#21)**. Re-insert the PVC insert. (**Fig 30**)

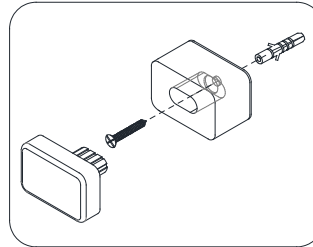
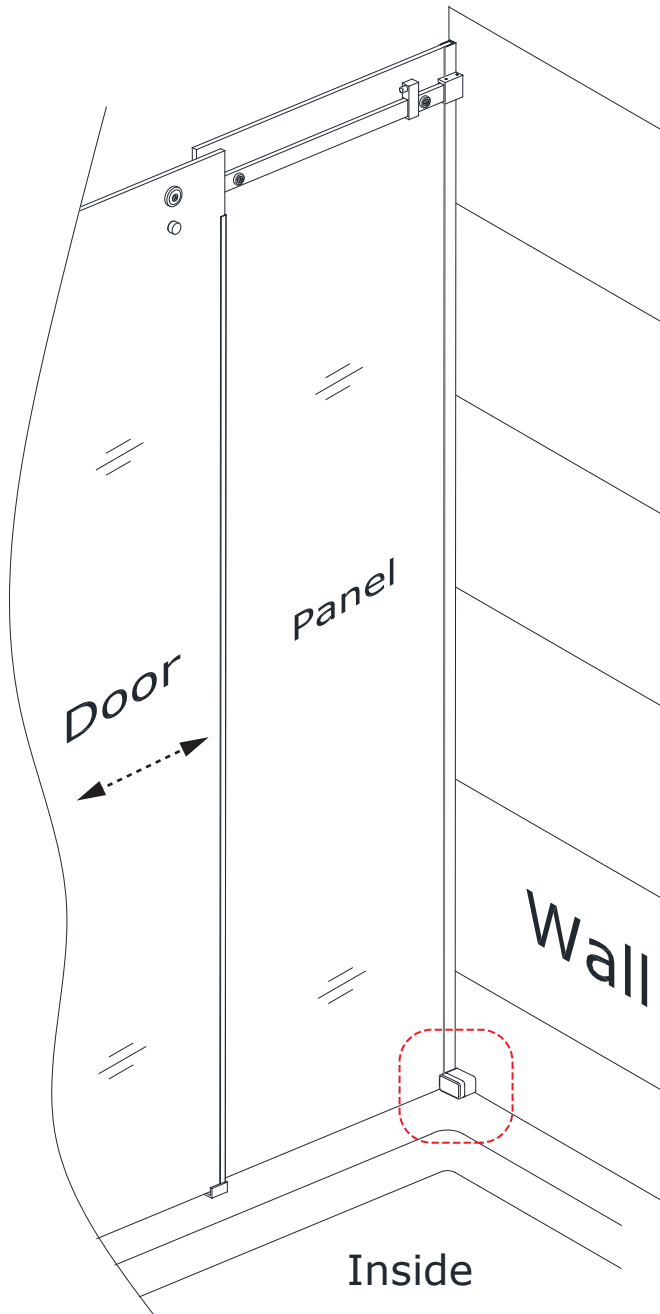


NOTE: The surfaces need to be clean and free of construction debris before installing the bumper. Wipe the area with an alcohol swab before installation.

TIP: When using the screw method, use caution to not crack the wall/tile and to avoid any plumbing behind the wall.



Extender driver bit recommended for screw installation method



The **Bumper (#26)** is reversible for Left (as shown below from inside the shower) or Right wall Installation.

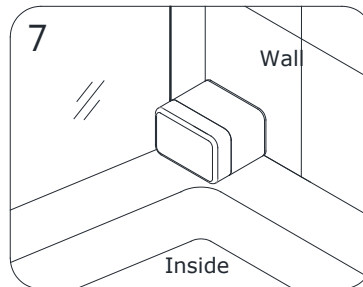
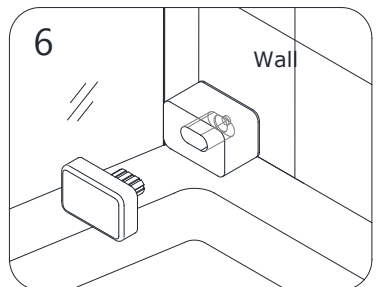
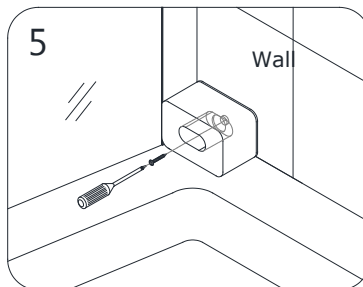
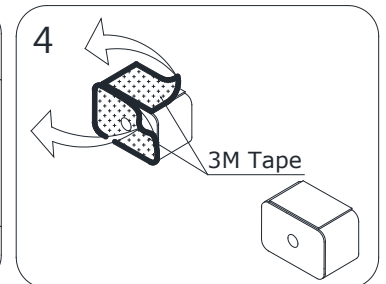
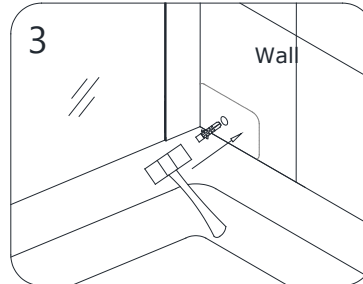
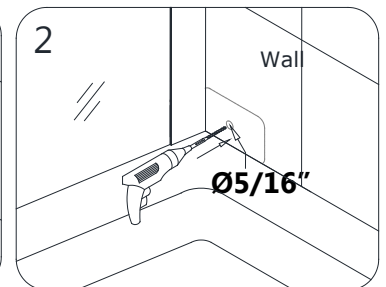
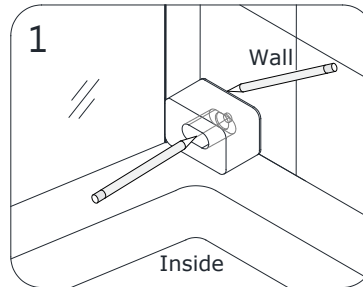


Fig 30

! **NOTE:** Cover the shower/tub drain with tape prior to removing the set screws to prevent loss.

31. Position the **Stoppers (#05)**, remove the set screws from the **Stoppers (#05)** and apply **Thread Lock Adhesive (#20)** to the threads. Reinsert the set screws into the **Stoppers (#05)**. Correctly position the **Stoppers (#05)** and screw them tightly to the **Guide Rail (#04)** with the supplied Allen wrench. **(Fig 31a)**



NOTE: The **Stoppers (#05)** must be positioned correctly to prevent the handle from contacting the **Stationary Glass (#02)** and to stop the **Door Glass (#03)** in a position that allows the bumper strip to create a seal with the wall, but does not allow the door glass to bang into the wall during normal operation. **(Fig 31a and 31b)**

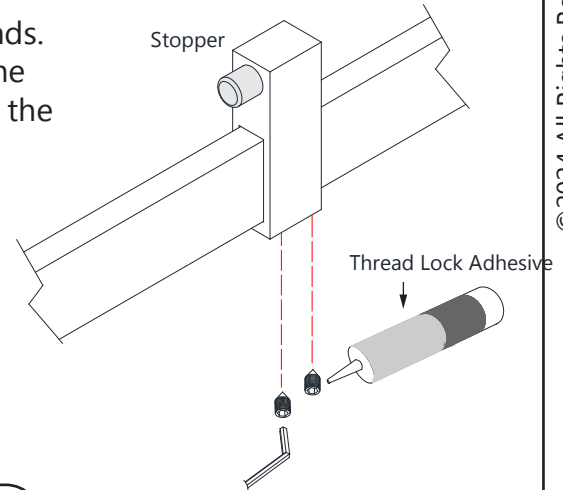


Fig 31a



*****Position the Panel-side stopper so that the door glass makes contact with the stopper and bottom bumper at the same time.**

Door Stopper Installation:

1. Remove the set screws
2. Slide the **Door** open until it makes contact with the bottom **Bumper (#26)** to correctly position the panel side **Stopper (#05)** on the **Upper Guide Rail (#04)**.
3. Remove the set screw threads and apply **Thread Lock Adhesive (#20)**
4. Reinsert the set screws into the **Stopper (#05)** and fully tighten. **(Fig 31b)**
5. Repeat on the Door side and position the **Stopper (#05)** so that the bulb vinyl seals evenly with the wall.

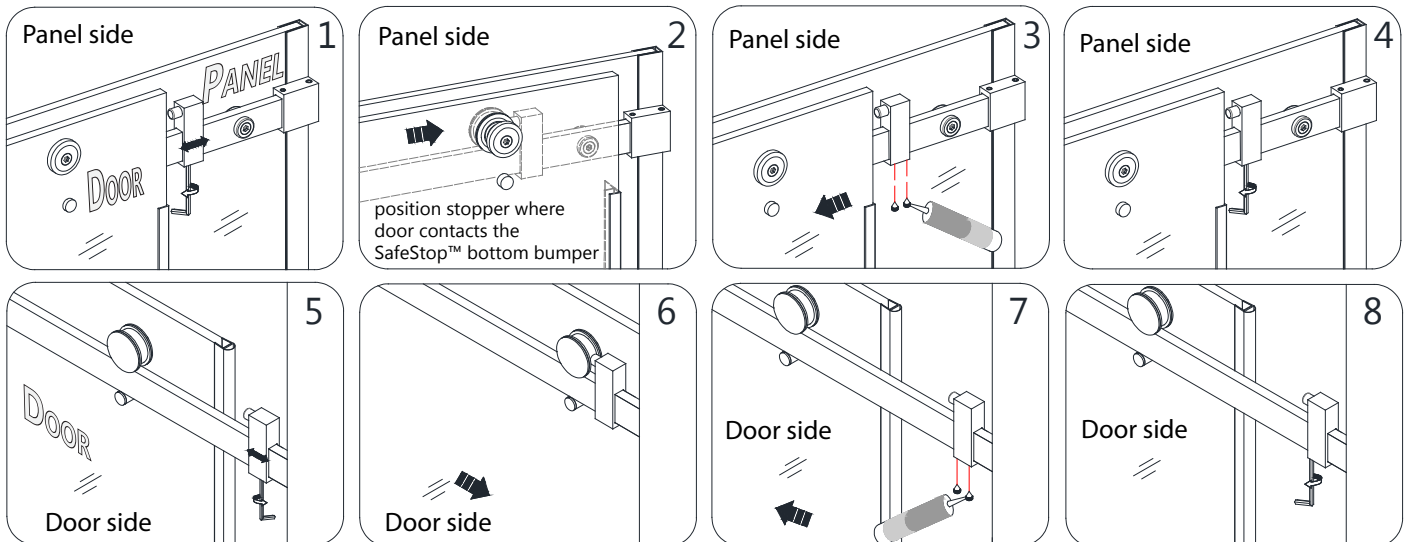


Fig 31b



- * **Stopper Locations as measured from the wall to the center of the stopper:**
- Panel side: 5" (+/- 1/16") where the door makes contact with the bottom bumper
 - Door side: 3-1/2" (+/-) (depends on opening conditions)

32. Apply a good quality mildew-resistant silicone along the connection of the stationary glass with the walls and the threshold. **(Fig 32)**



NOTE: The surfaces need to be clean and free of debris before applying silicone.

Allow 24 hours for the silicone to fully cure before using the shower.

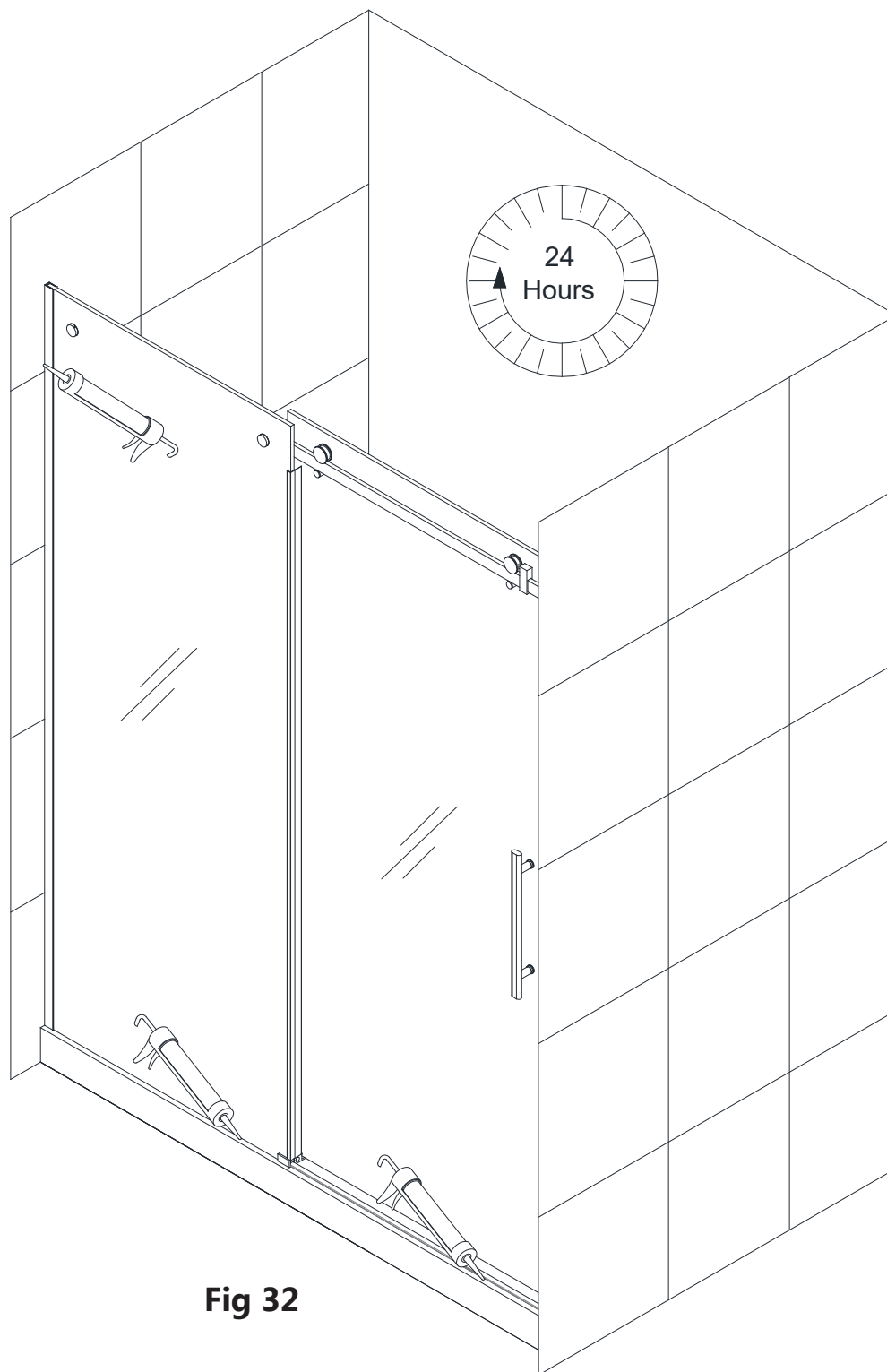


Fig 32

Product Maintenance

BASES and BACKWALLS: To ensure long-lasting life for your acrylic back walls, wipe them off after each use with a soft cloth. To clean the acrylic back walls use non-abrasive sprays or cream-based cleaners. Avoid the use of aerosol spray cleaners. Never use abrasive cleansers, metal brushes or scrapers that could scratch or dull the surface.

GLASS: To ensure long-lasting life for your glass shower products, wipe them off after each use with a soft cloth. Rinse and wipe off the glass using either a soft cloth or a squeegee to prevent soap buildup and water spots (Hard water can etch the surface of the glass over time if left to dry). To prevent scratching the surface: never use abrasive cleaners or cleaning products that contain scouring agents. Never use bristle brushes or abrasive sponges that may scratch the surface.

HARDWARE: To ensure a long-lasting finish, wipe off the metal parts after each use with a soft cloth. Do not use abrasive cleaners or cleaning products containing ammonia, bleach or acid. If accidentally used, rinse the surface as soon as possible to prevent damage to the finish (peeling or corrosion). After cleaning the polished finishes, rinse thoroughly and wipe dry with a soft cloth. Clean stainless steel surfaces at least once a week. When applying stainless steel cleaner or polish to stainless steel hardware, work with (not across) the grain. Never use an abrasive sponge or cloth, steel wool or wired brush as these may permanently scratch the surfaces.

NOTE: To maximize the life of your door, it is important to regularly inspect the glass and all hardware for misalignment, proper attachment, and/or damage. Contact the manufacturer with any questions or concerns.

These shower doors and enclosures are designed not to leak when installed properly and the flow of water is not pointed directly at the vinyl seals.

Maintenance checklist

- Guide rail** level and tight
- Guide rail brackets** tight to the walls
 - o All set screws tight
- Inline Panel glass** secure
- Panel glass brackets** tight
- Guide block** square to the threshold and glass
- Proper clearance beneath the door glass between the threshold and within the guide block
- Door Glass** adjusted so that the **Bulb vinyl seal** makes even contact with the wall
- Wheel assemblies** tight
 - o Wheel **roller bolts** tight
- Stoppers** tight and positioned correctly
 - o **Panel-side stopper** tight and secured to the guide rail
 - o Adequate **Handle clearance** when the door is fully open
 - o **Door-side stopper** positioned at approximately 4" (+/- 1/8") (as measured from the return panel glass to the center of the stopper)
- Stopper** stops the door and bulb vinyl seals to the return panel glass
- Bumper** secure to the wall
- Roller guards** positioned within 1/16" beneath guide rail
- Remove vinyl seals to **inspect the edges of the door glass** for concealed damage
 - o **Damaged glass must be replaced!**
- Replace damaged or missing vinyl seals

MINIMALIST BARN DOOR SHOWER AND TUB DOOR

SHOWER AND TUB DOOR INSTALLATION INSTRUCTIONS

IMPORTANT!

The manufacturer reserves the right to alter, modify or redesign products at any time without prior notice for the purpose of product improvement and customer experience.

