

ASSEMBLY INSTRUCTONS
ITEM: W1885S00006-W1885S00007
Description: Upholstered Platform Bed

Thank you for purchasing this quality product, be sure to check all packing material carefully for small part that may have come loose inside the carton during shipment.



DO NOT RETURN TO THE STORE!

If parts are missing or damaged, we will gladly ship your replacements parts free of charge.

CAUTION:

Do not fully tighten bolts/nuts until product fully assembled. Keep all hardware out of reach of children.

NOTICE

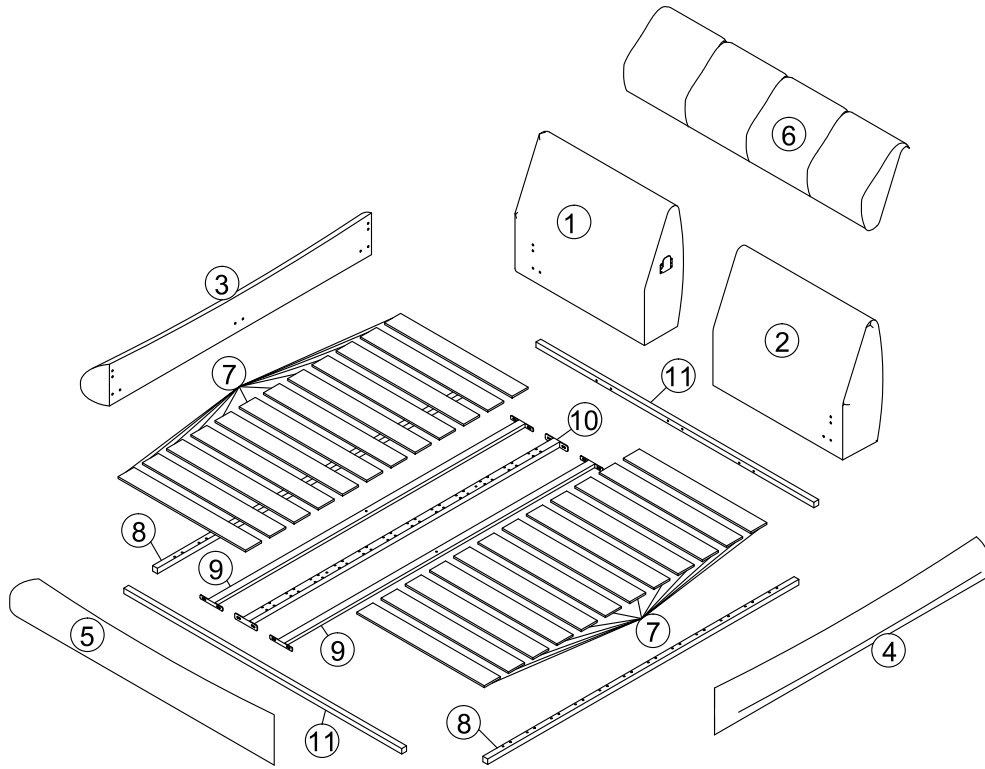
1. Always use proper tools.
2. Follow the assembly steps in order. Do not skip any steps.
3. Periodically check to ensure that all connectors (bolts, screws, etc.) are tight.
4. Keep the instructions for future reference.
5. Check to ensure all "PARTS" and "HARDWARE" quantities, as noted as enclosed prior to commencement of assembly.
6. Place all furniture parts on a clean and flat soft surface to prevent any scratches possible.
7. Where assembly instructions state that the assembly requires two or more people, do not attempt by yourself as there is a risk of injury.
8. If you need any assistance with your new item or if you are missing any parts. Please email us your inquiries at: davrwc325@gmail.com. We will be happy to assist and walk you through your assembly process.
9. Since the dimensions of our products are manually measured, there may be an error of ± 0.79 inch between the real product and the measurement data. The measurement data is for reference only.

ASSEMBLY INSTRUCTIONS

ITEM: W1885S00006-W1885S00007

Description: Upholstered Platform Bed

Thank you for purchasing this quality product, be sure to check all packing material carefully for small part that may have come loose inside the carton during shipment.



PART LIST:

NO.	Description	Sketch	Quantity
1	Headboard-Left		1PCS
2	Headboard-Right		1PCS
3	Side Rail-Left		1PCS
4	Side Rail-Right		1PCS
5	Footboard		1PCS
6	Soft cushion		1PCS
7	Slat		24PCS
8	Support rails-1		2PCS
9	Support rails-2		2PCS
10	Support rails-3		1PCS
11	Support rails-4		2PCS

TOOLS REQUIRED(Provided)



Screwdriver

HARDWARE LIST:

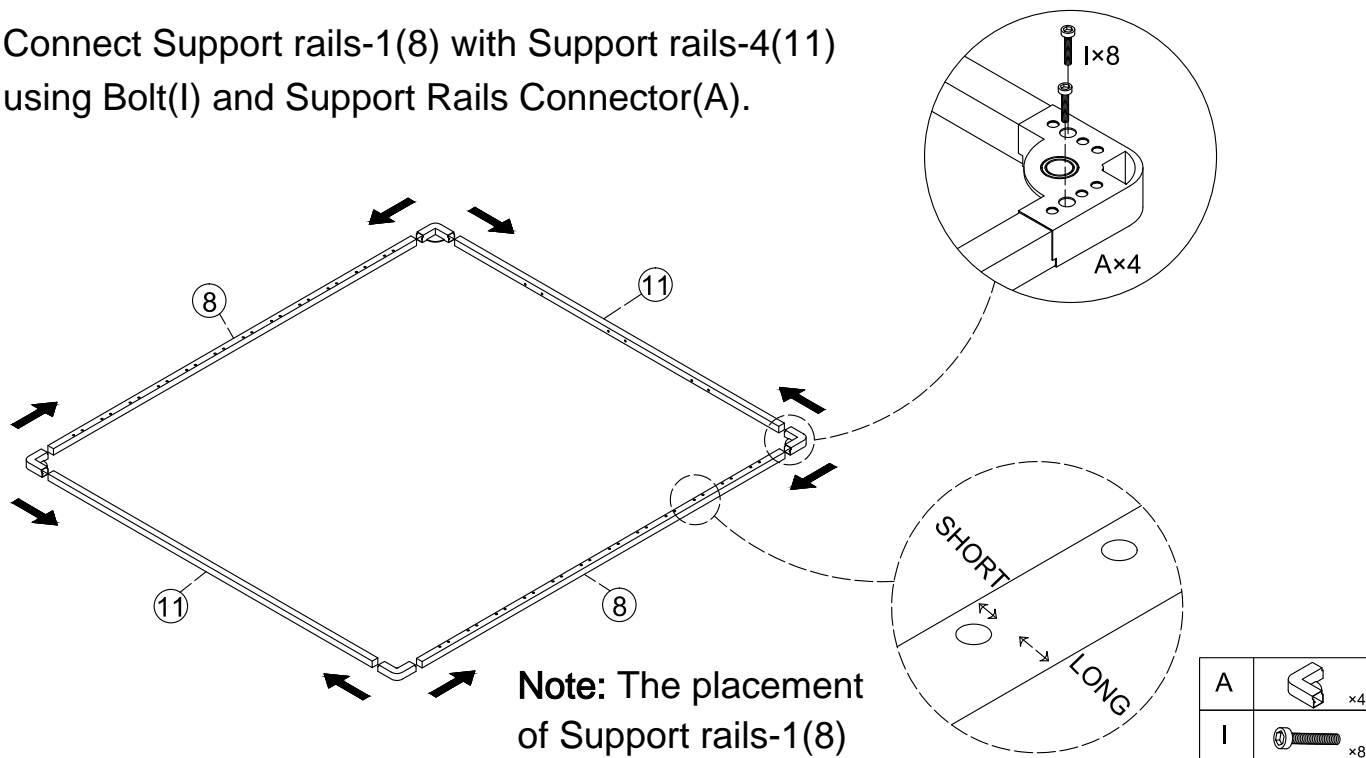
NO.	Description	Sketch	Quantity
A	Support Rails Connector		4PCS
B	Slat Holder		48PCS
C	Triangle-Angle Iron		4PCS
D	3 holes-Angle Iron		4PCS
E	4 holes-Angle Iron		4PCS
F	Cylindrical Leg		4PCS
G	Slat Support Leg		4PCS
H	Rectangular Leg		1PCS
I	M8x40mm		60PCS
J	M8x60mm		6PCS

ASSEMBLY INSTRUCTIONS
ITEM: W1885S00006-W1885S00007
Description: Upholstered Platform Bed

Thank you for purchasing this quality product, be sure to check all packing material carefully for small part that may have come loose inside the carton during shipment.

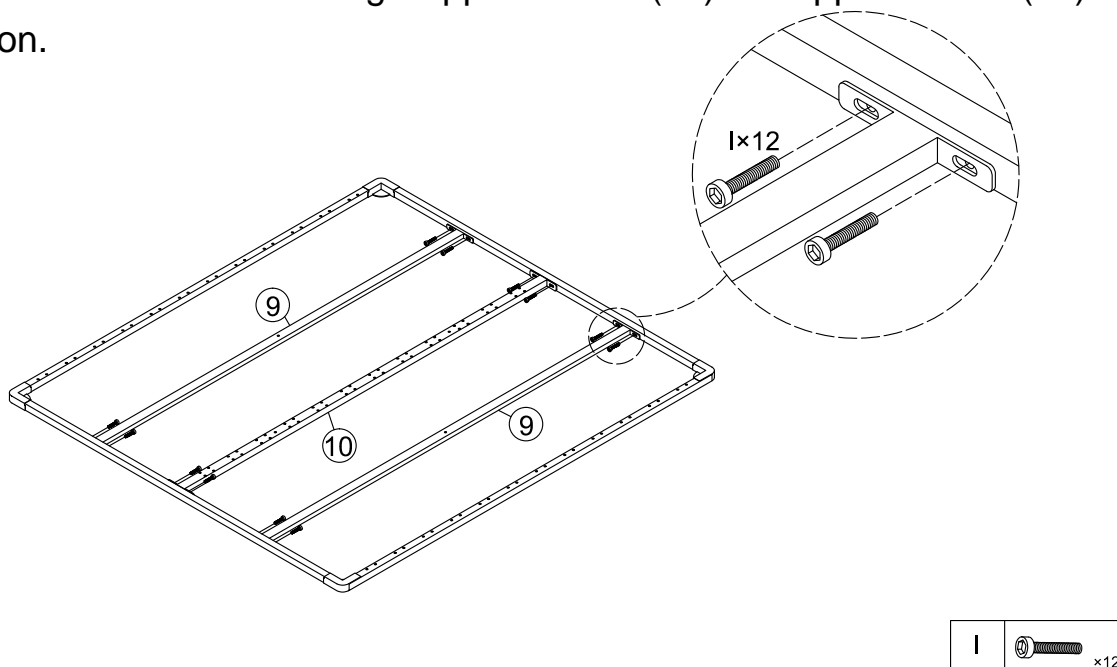
Step 1

Connect Support rails-1(8) with Support rails-4(11) using Bolt(I) and Support Rails Connector(A).



Step 2

Use Bolt (I) to connect Support rails-2 (9) and Support rails-3 (10) to Support rails-4 (11). Do not tighten the bolts connecting Support rails-3 (10) to Support rails-4 (11) for later installation.

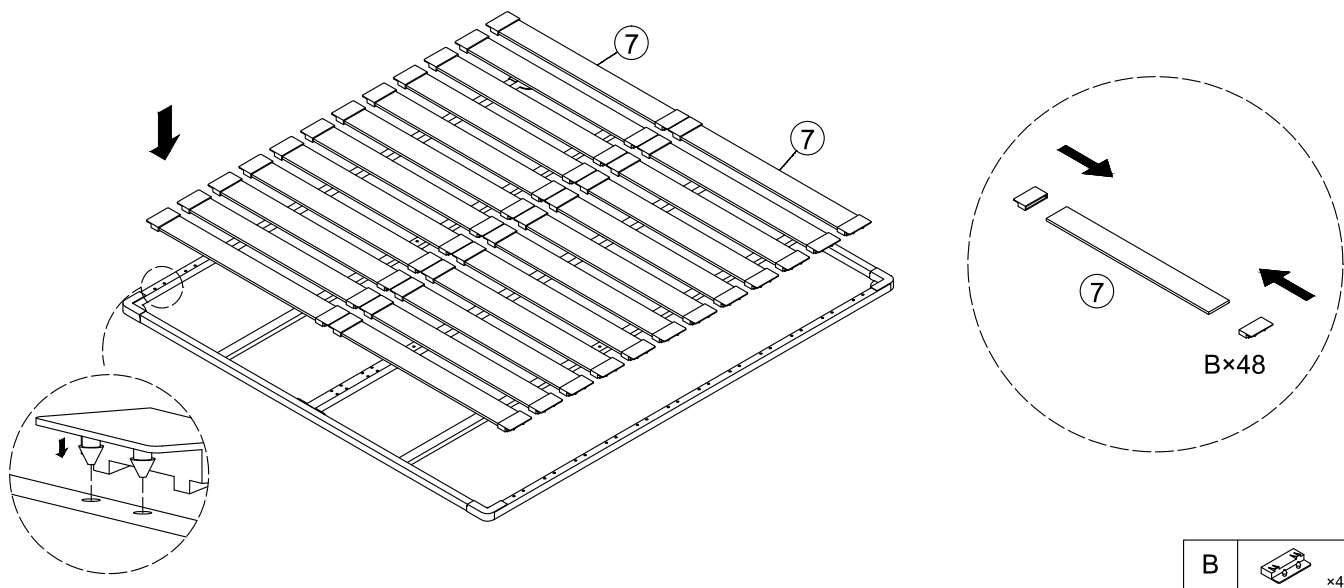


ASSEMBLY INSTRUCTIONS
ITEM: W1885S00006-W1885S00007
Description: Upholstered Platform Bed

Thank you for purchasing this quality product, be sure to check all packing material carefully for small part that may have come loose inside the carton during shipment.

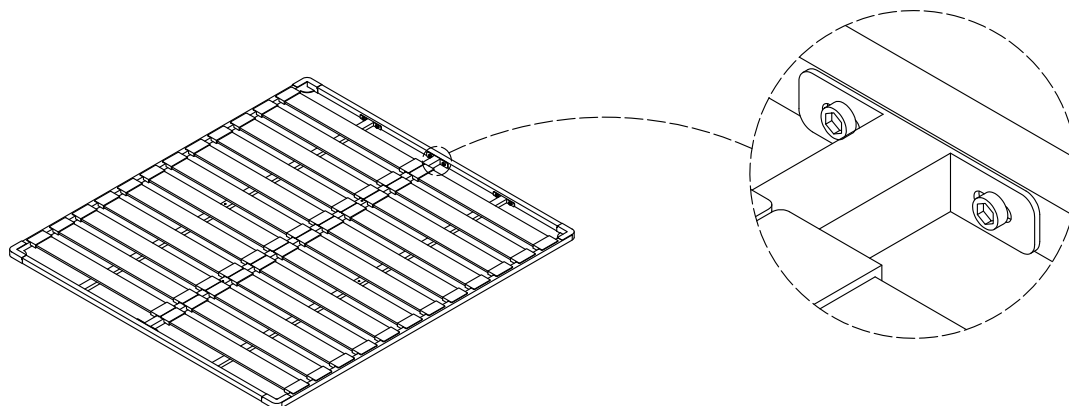
Step 3

Install Slat Holder (B) on both ends of Slat (7). Then fix the Slat Holder(B) in the holes of Support rails-1(8) and Support rails-3(10). (You need to press hard, it is recommended to use a hammer or other tools to knock it tight)



Step 4

Tighten the Bolts connecting Support rails-3(10) and Support rails-4(11).

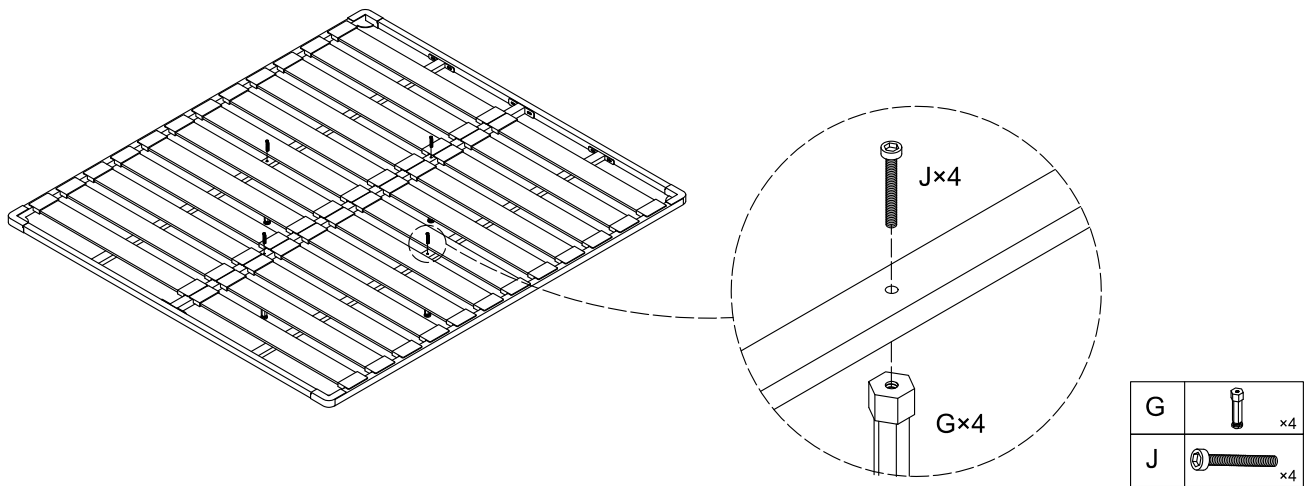


ASSEMBLY INSTRUCTIONS
ITEM: W1885S00006-W1885S00007
Description: Upholstered Platform Bed

Thank you for purchasing this quality product, be sure to check all packing material carefully for small part that may have come loose inside the carton during shipment.

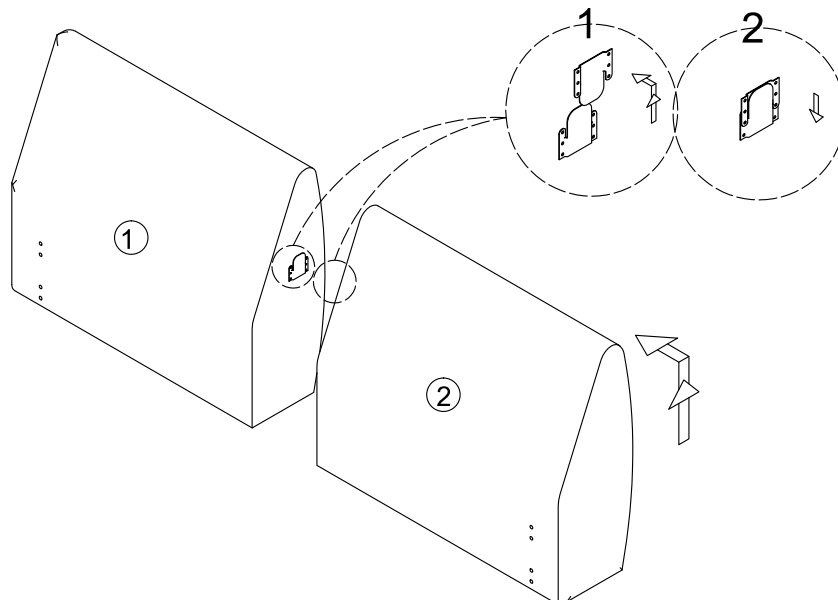
Step 5

Use Bolt (J) to install Slat Support Leg (G) on Support rails-2 (9) and Support rails-3 (10).



Step 6

Fix the iron connecting buckle on the inner side of the two Headboards together.

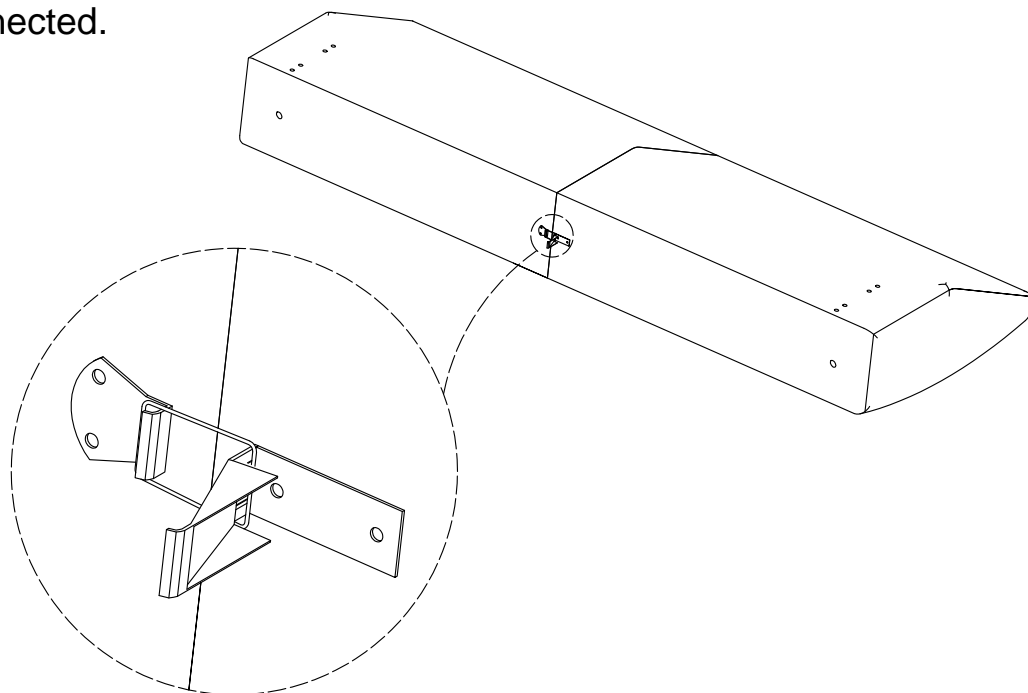


ASSEMBLY INSTRUCTIONS
ITEM: W1885S00006-W1885S00007
Description: Upholstered Platform Bed

Thank you for purchasing this quality product, be sure to check all packing material carefully for small part that may have come loose inside the carton during shipment.

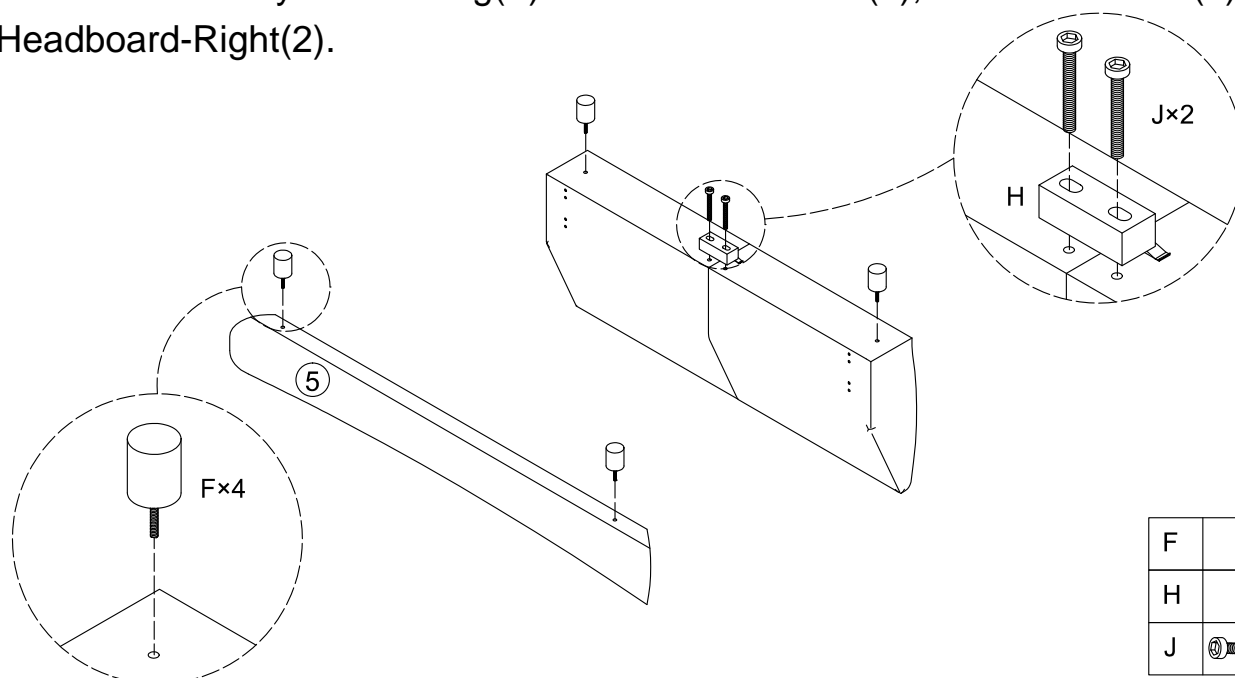
Step 7

Connect the lock buckles at the bottom of the two Headboards so that they are connected.



Step 8

Use Bolt(J) to install the Rectangular Leg (H) on the bottom of Headboards(1/2), and then screw the Cylindrical Leg(F) onto the Footboard(5), Headboard-Left(1), and Headboard-Right(2).



ASSEMBLY INSTRUCTONS

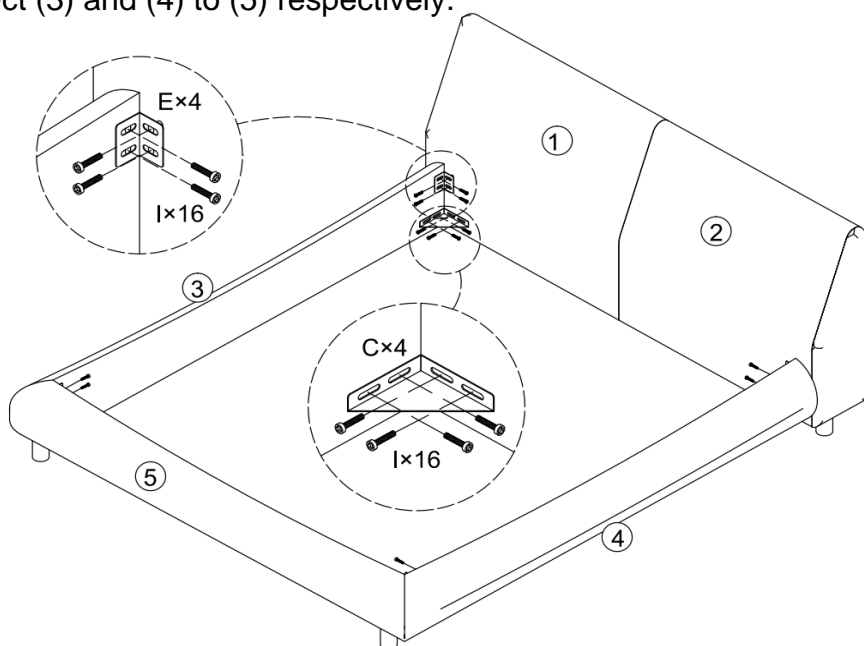
ITEM: W1885S00006-W1885S00007

Description: Upholstered Platform Bed

Thank you for purchasing this quality product, be sure to check all packing material carefully for small part that may have come loose inside the carton during shipment.

Step 9

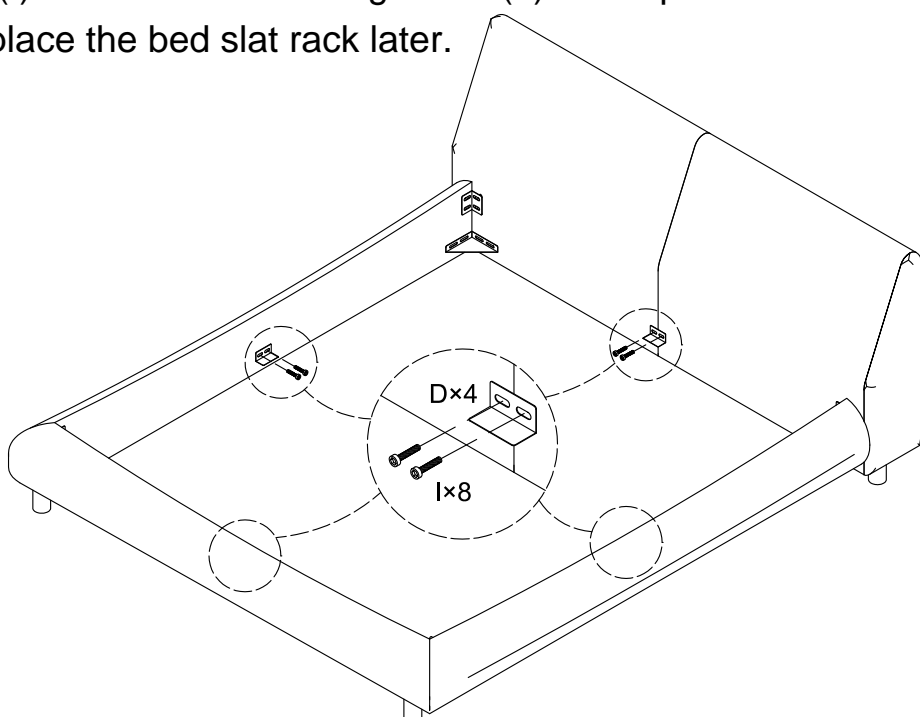
Use Bolt(I) and Triangle-Angle Iron(C) and 3 holes-Angle Iron(D) to connect Headboard-Left(1) to Side Rail-Left(3), connect Headboard-Right (2) to Side Rail-Right(4) to make Side Rail(3/4) symmetrical, then connect (3) and (4) to (5) respectively.



C		x4
E		x4
I		x32

Step 10

Use Bolt (I) to install 3-holes Angle Iron (4) at the position shown in the figure, so as to place the bed slat rack later.



D		x4
I		x8

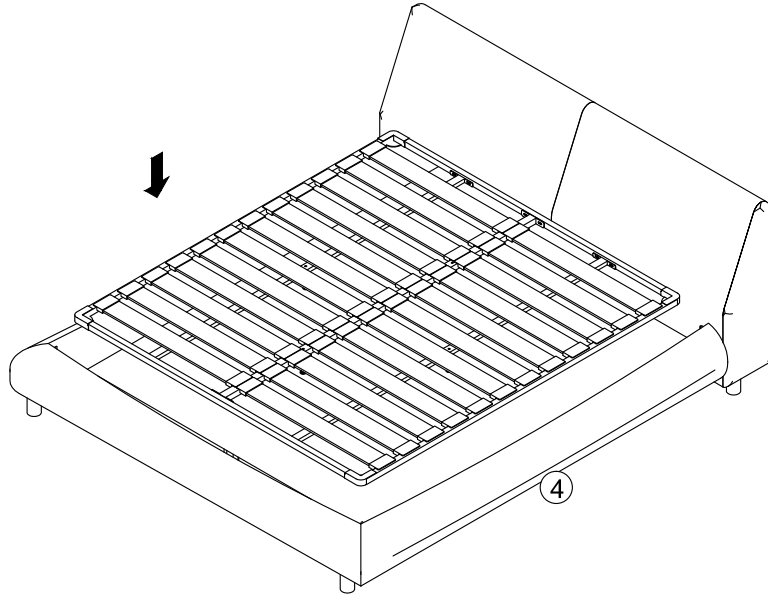
ASSEMBLY INSTRUCTIONS
ITEM: W1885S00006-W1885S00007
Description: Upholstered Platform Bed

Thank you for purchasing this quality product, be sure to check all packing material carefully for small part that may have come loose inside the carton during shipment.

Step 11

Place the previously installed bed slat rack on the bed,

Note: Adjust the Slat Support Legs (G) to a suitable height.



Step 12

First, open the zipper,stuff the pillow into the cushion.

Then Stick the soft cushion(6)on Headboard-Left(1)and Headboard-Right(2).

Note:

Due to the compression packaging of the backrest, please pat it gently until it is fluffy and leave it for 48 hours to recover 100%.

