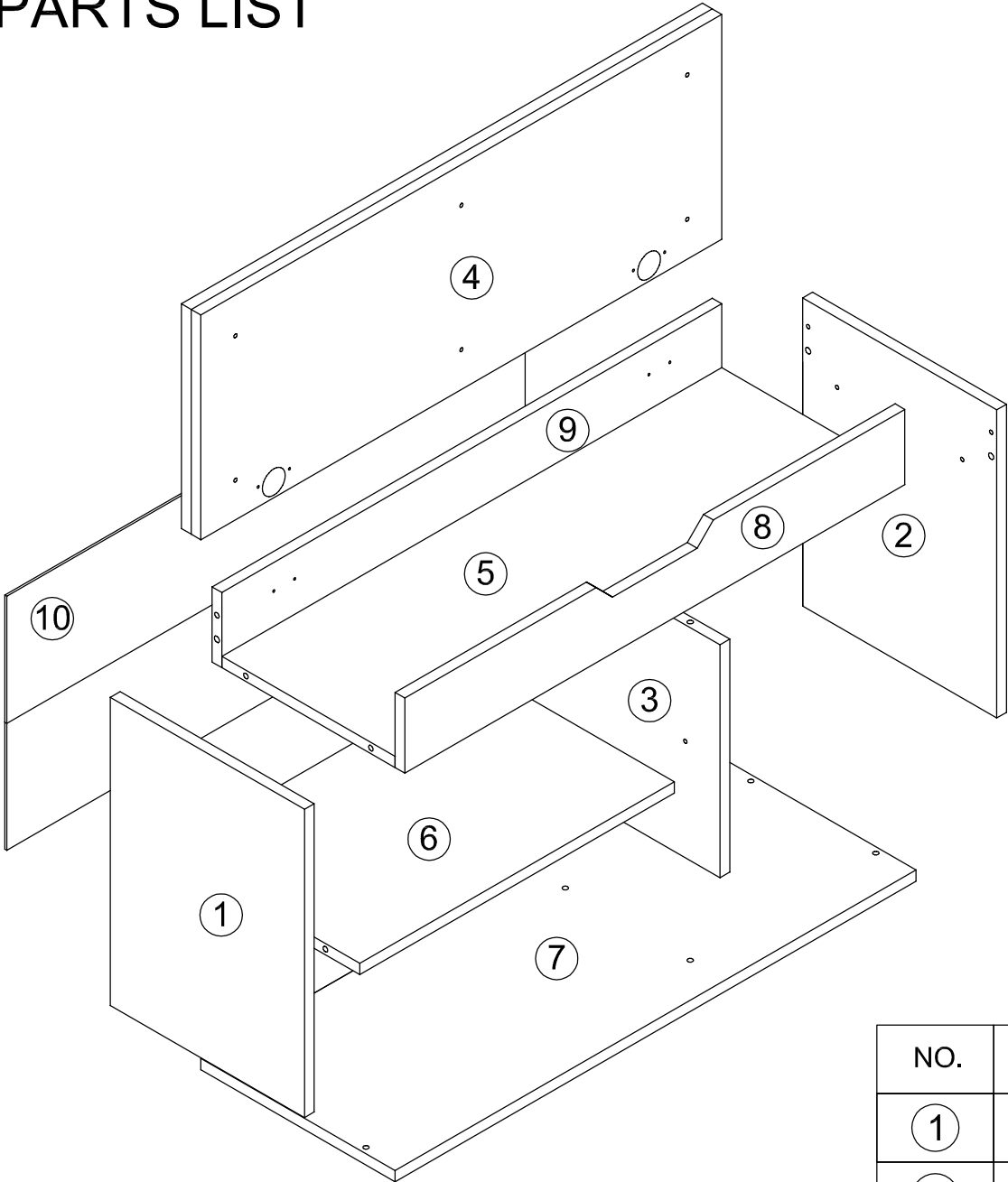

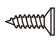


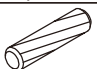



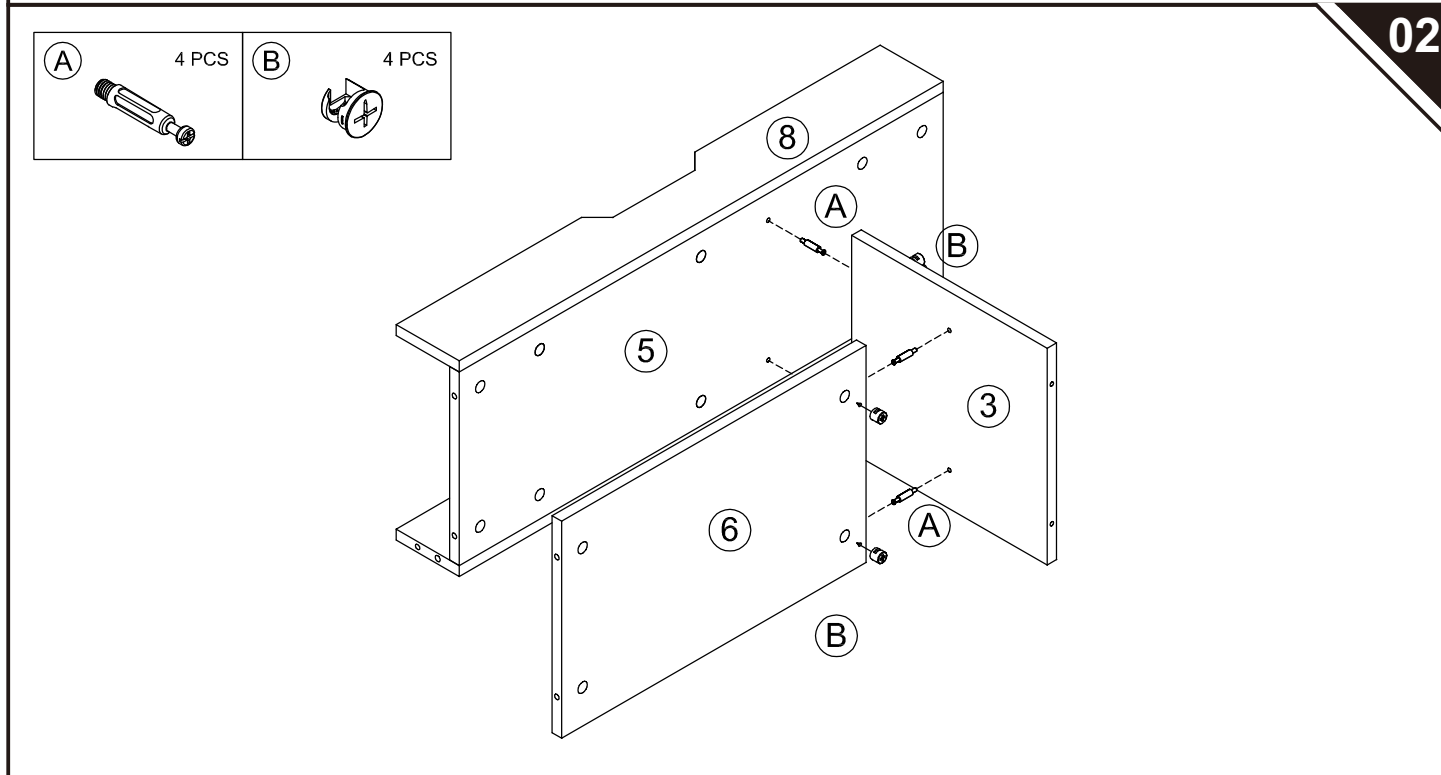
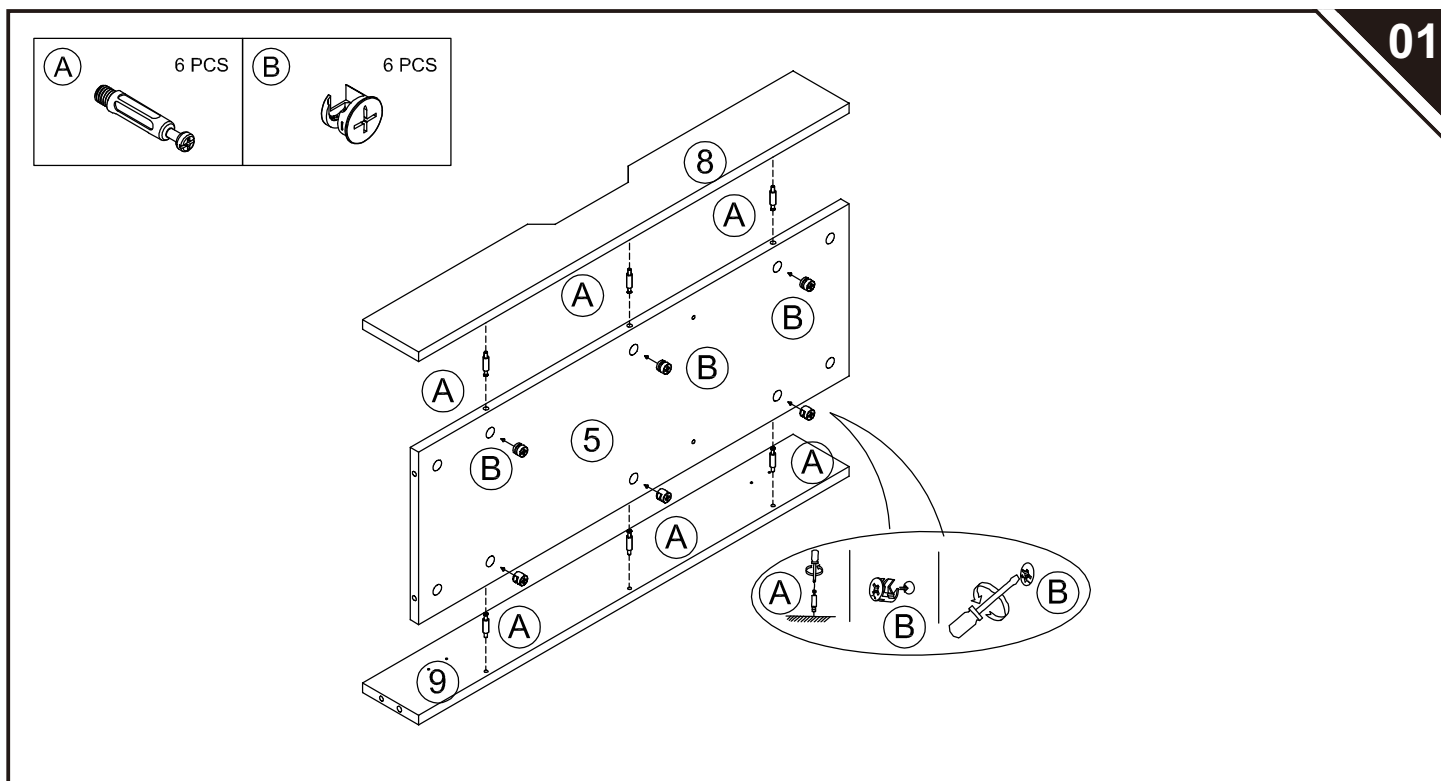




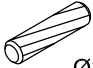
# PARTS LIST

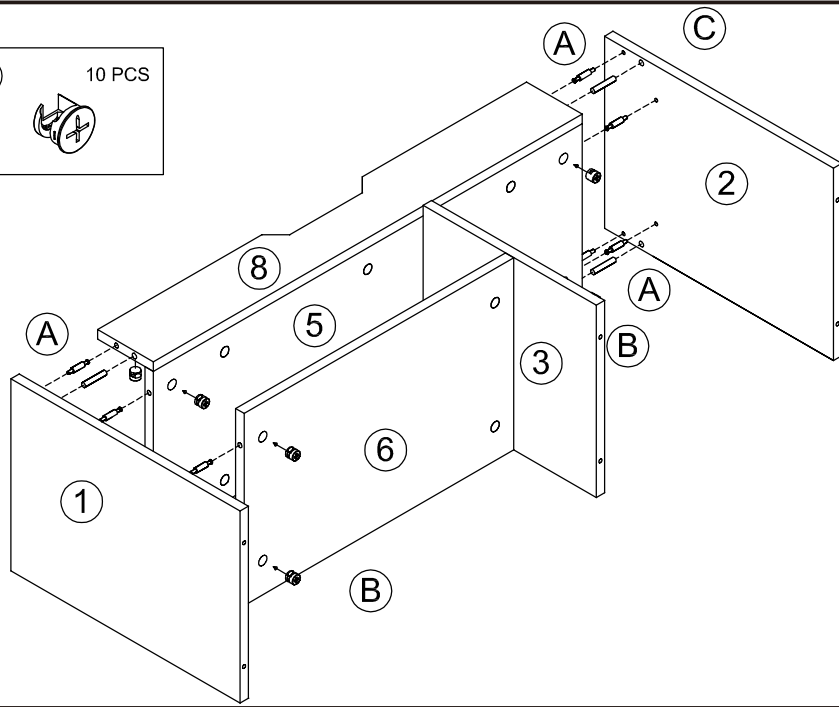



NO.	QTY.
①	1
②	1
③	1
④	1
⑤	1
⑥	1
⑦	1
⑧	1
⑨	1
⑩	1

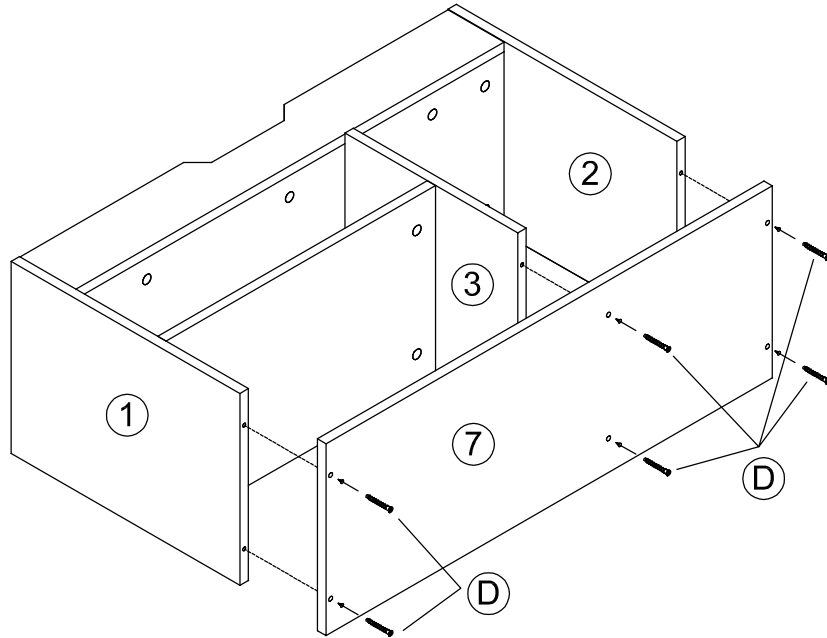
NO.	QTY.	LINEDRAWING	NO.	QTY.	LINEDRAWING
(A)	20	+1(spare) 	(E)	12	+1(spare)  Ø3.5*14
(B)	20	+1(spare) 	(F)	2	
(C)	4	 Ø8*40	(G)	6	+1(spare) 
(D)	6	+1(spare)  Ø7*50	(H)	22	+1(spare) 




- (A) 10 PCS 
- (B) 10 PCS 
- (C) 4 PCS   
Ø8\*40



- (D) 6 PCS   
Ø7\*50



- (G) 6 PCS 
- (H) 22 PCS 