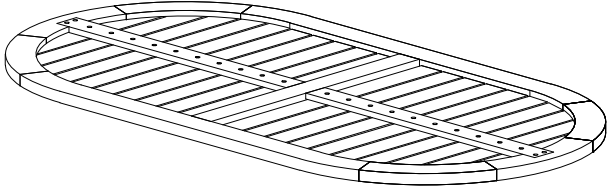
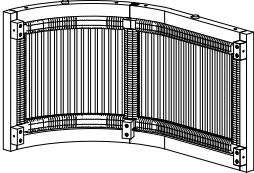
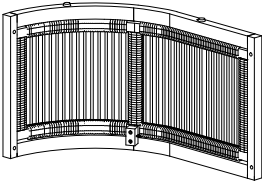
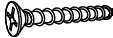
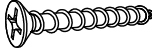


Hello! Please read these important attentions...

Please put a thick carpet on the ground to protect the furniture finish and corners. During the installation process, **DON' T** fasten screws tight 100% at a time.

ASSEMBLY INSTRUCTIONS

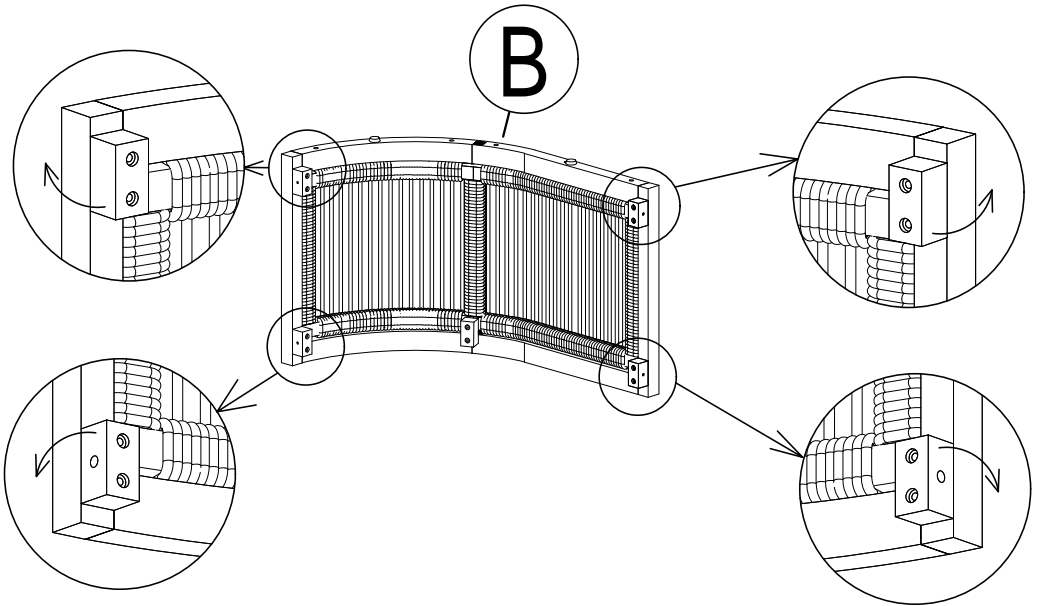
NUMBER	COMPONENT	QUANTITY
A	 <p data-bbox="698 571 874 603">TABLE TOP</p>	1PC
B	 <p data-bbox="591 834 751 858">LEG FRAME 1</p>	2PCS
C	 <p data-bbox="598 1090 759 1114">LEG FRAME 2</p>	2PCS
D	 <p data-bbox="598 1249 880 1281">SCREW M4X35MM</p>	4PCS
E	 <p data-bbox="598 1393 880 1425">SCREW M4X45MM</p>	8PCS

NOTE: The accessory pack does not include a screwdriver. Please prepare a screwdriver before you assemble.

ASSEMBLY INSTRUCTIONS

1

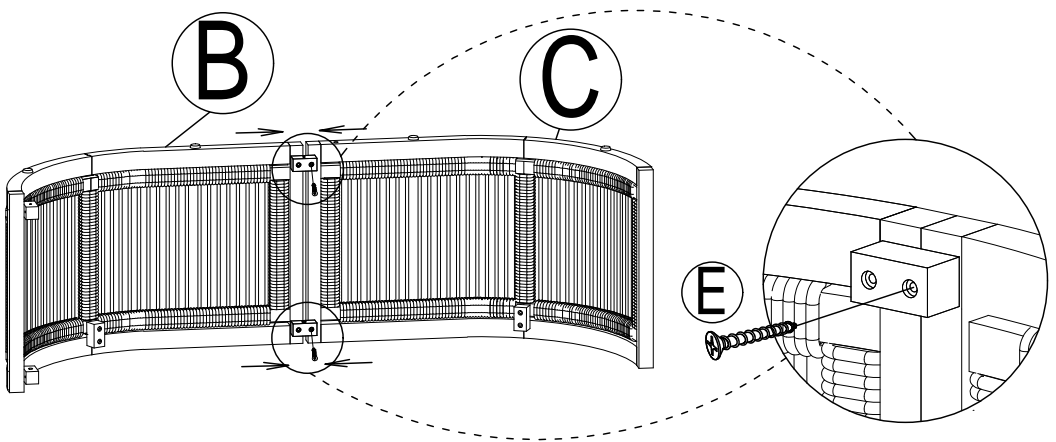
B



Take the leg frame (B) and rotate the wooden spacer in the direction of the arrow.

ASSEMBLY INSTRUCTIONS

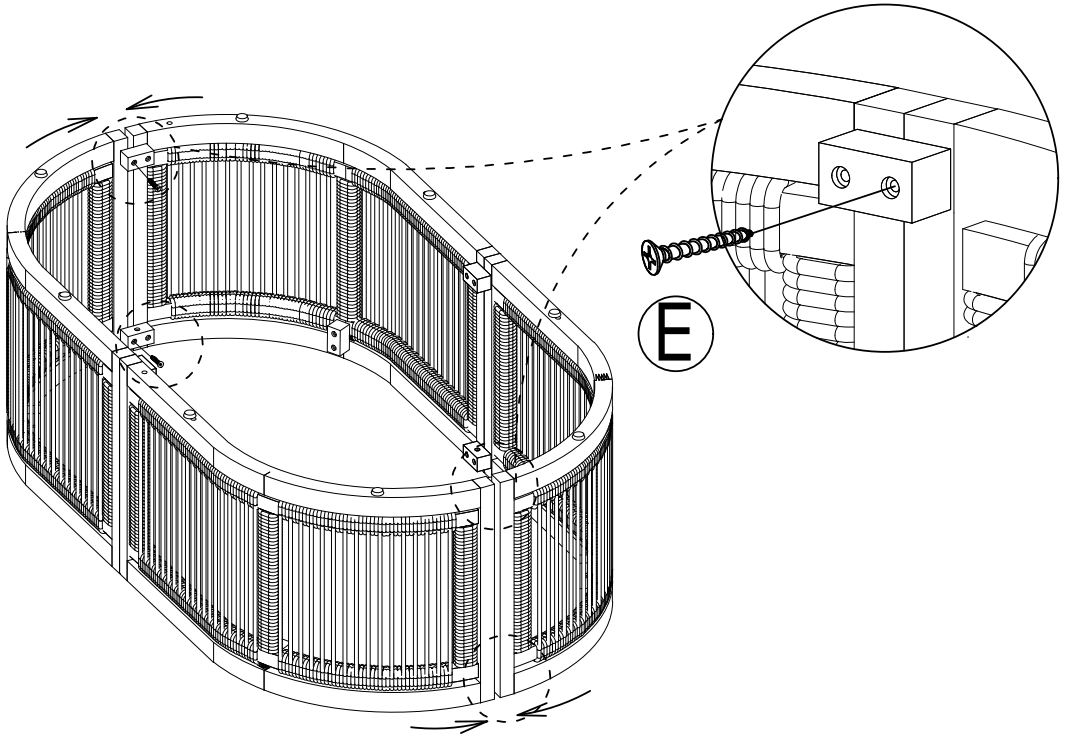
2



After rotating the wooden Spacer, we will use the Screws 4X45 MM (E) to secure the Frame Leg 1 (B) to Frame Leg 2 (C) together through the wooden Spacer.

ASSEMBLY INSTRUCTIONS

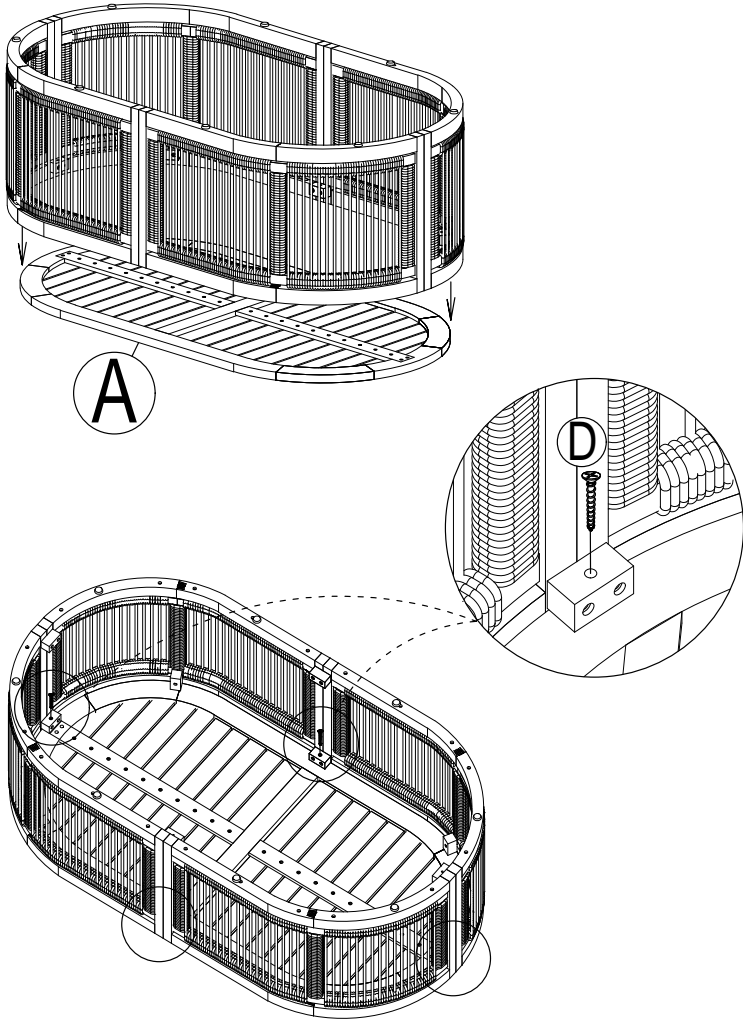
3



Similar to the second step, use screws (E) to connect to the remaining leg frame parts, tightening them together.

ASSEMBLY INSTRUCTIONS

4



Use screw 4X35 MM (D) to connect the Table Top (A) to the leg frame assembly, tightening them together.

The Table Top (A) can also be mounted on the leg frame assembly for use without screw connections (D).

ASSEMBLY INSTRUCTIONS

5

