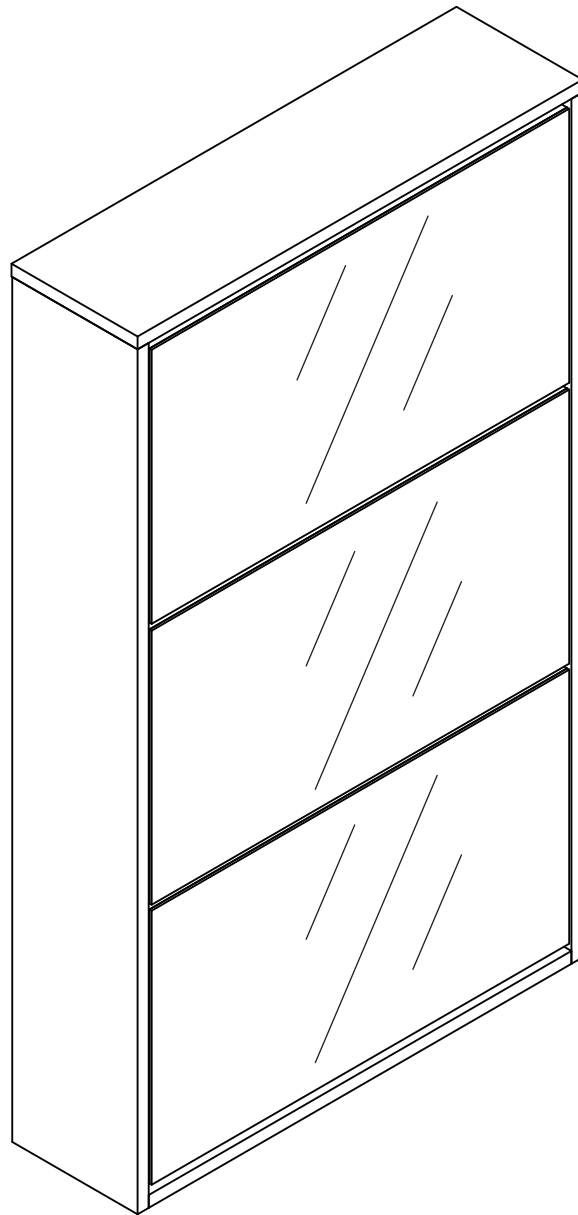


ASSEMBLY INSTRUCTIONS

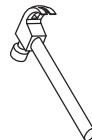


2 PERS

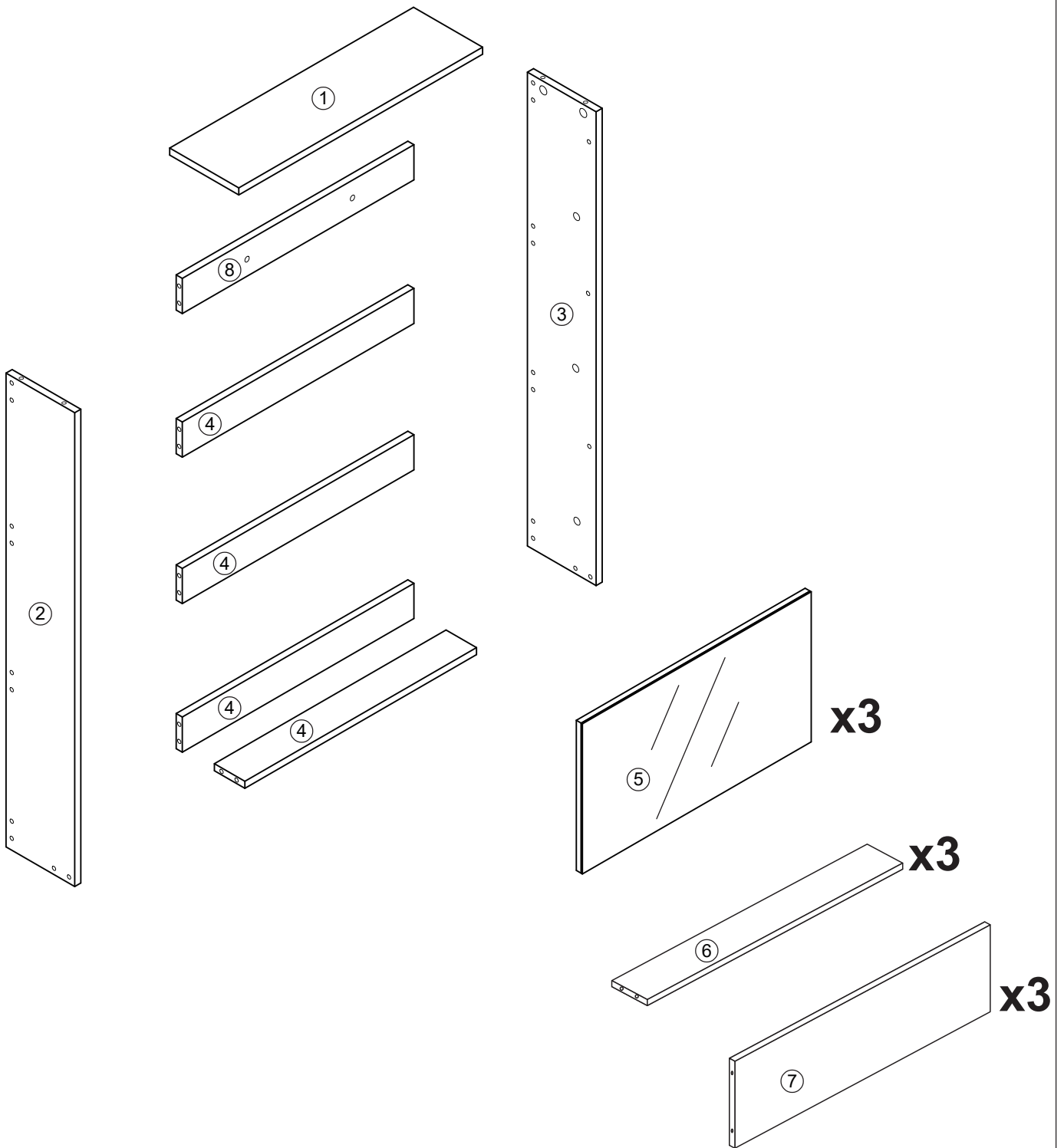


30 MIN

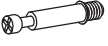


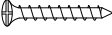


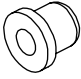
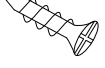

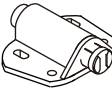



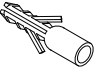

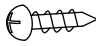

Tool Required Not Provided



Parts list

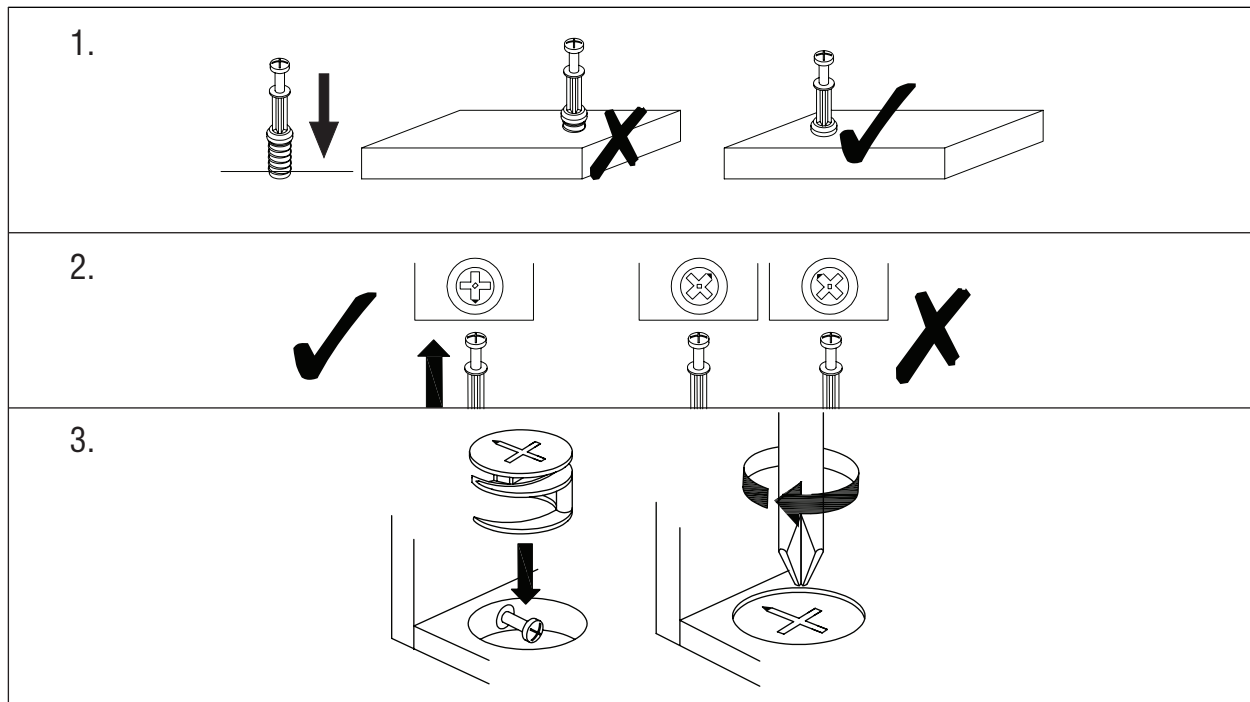


Hardware

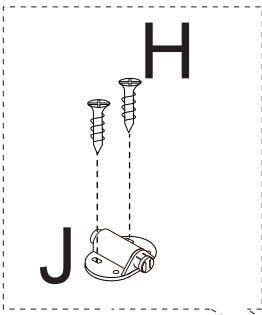
A	x4	B	x4	C	x42	D	x22	E	x6	F	x6
											
		Ø15x12mm		Ø3.5x12mm		Ø4x40mm				Ø15x12mm	
G	x6	H	x12	I	x20	J	x3	K	x3	L	x3
											
		Ø3x14mm									
M	x3	N	x2	O	x4	P	x6	R	x3		
											
Ø3x10mm						Ø4x12mm					

IMPORTANT:

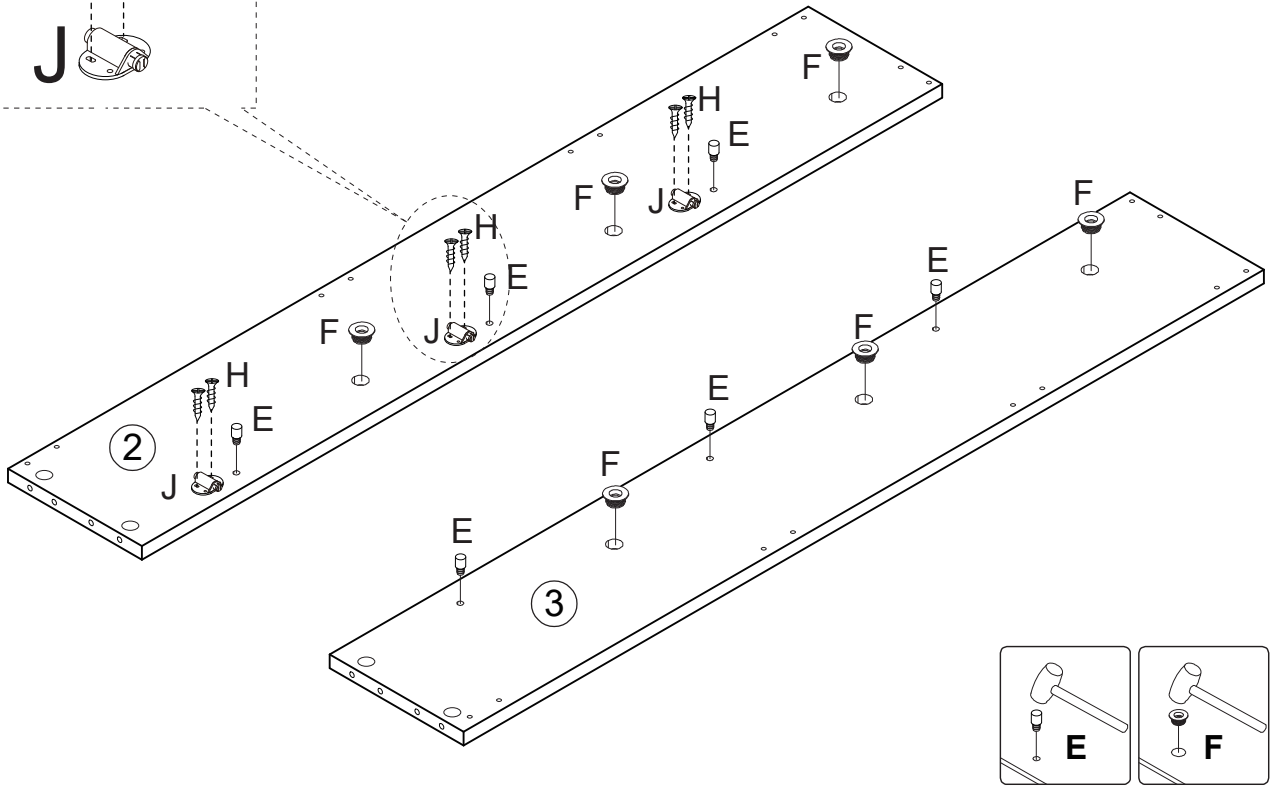
1. Do not tighten bolts / screws completely until all bolts / screws are lined up and inserted into holes.
2. Do not over tighten screws to avoid stripping.
3. Please use hand tools to assemble this product. Do not use power tools.



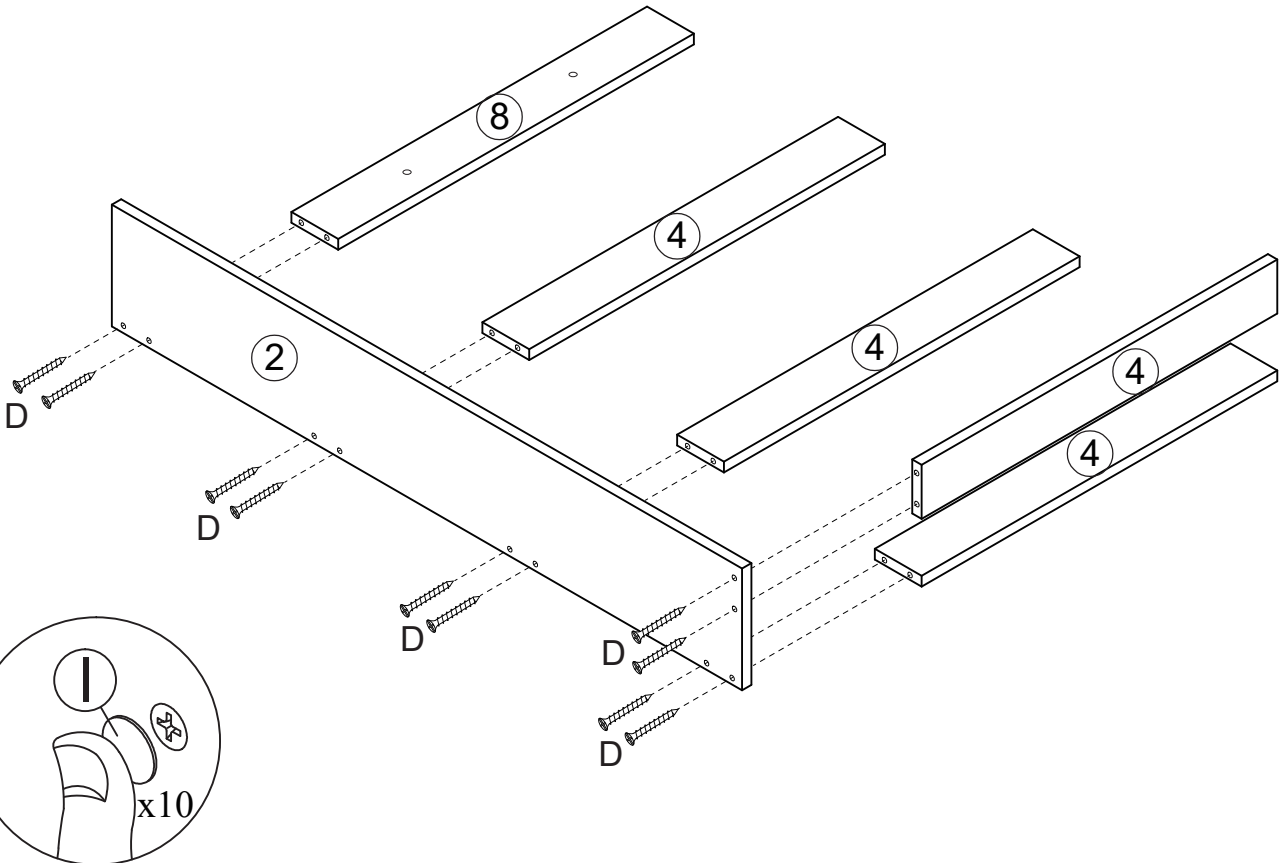
1



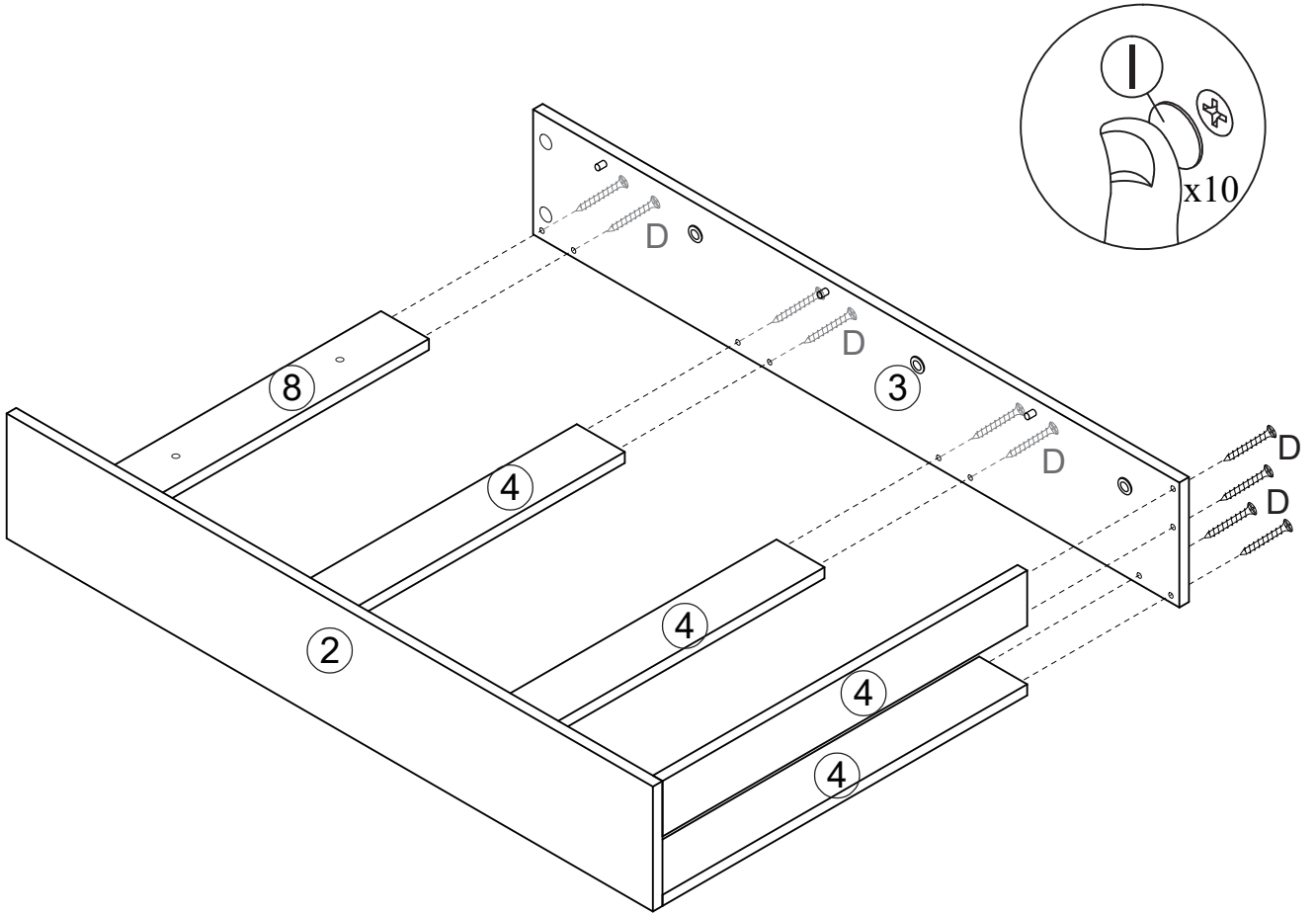
⚠ Attention Please: Do not fully tighten screws H in the big holes until each roll-over door has been adjusted and positioned in step 6.



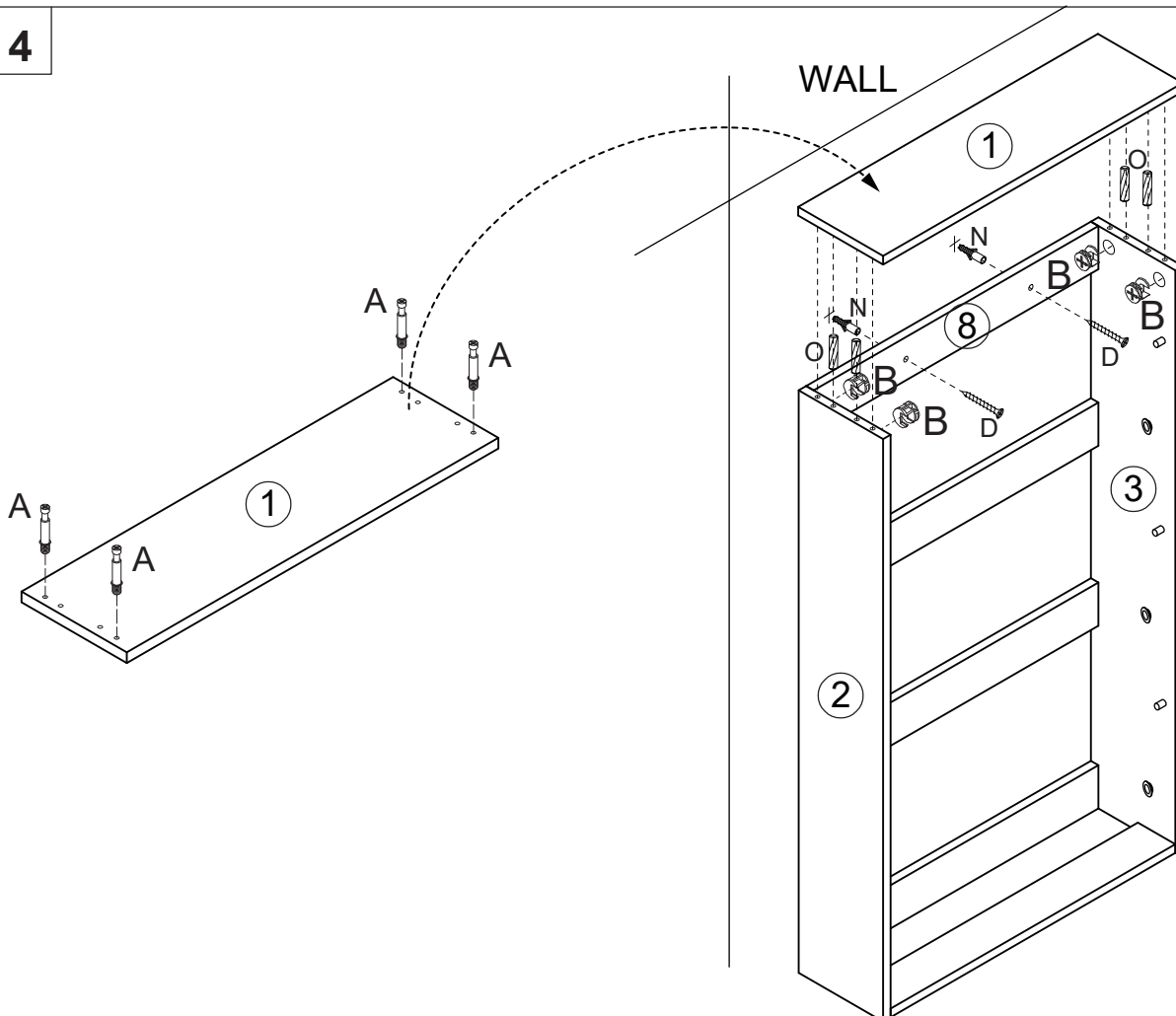
2



3



4



5

⚠ Attention Please: Line up and insert the rest of screws H into small holes as shown, finally tighten them.

