


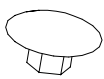

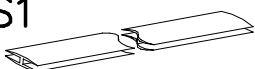
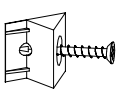

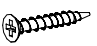
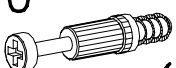

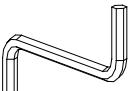
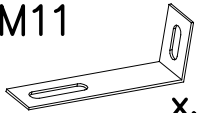

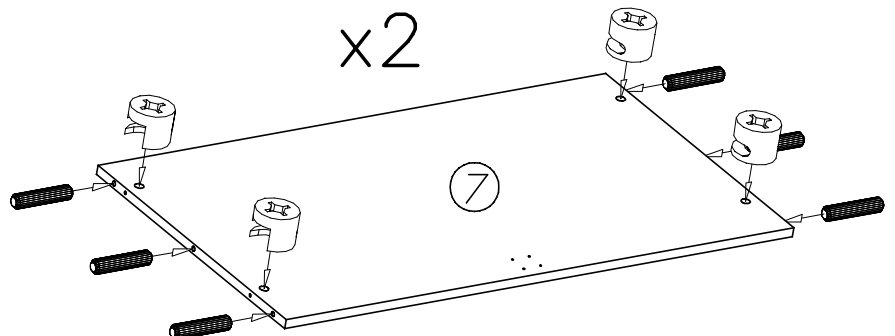
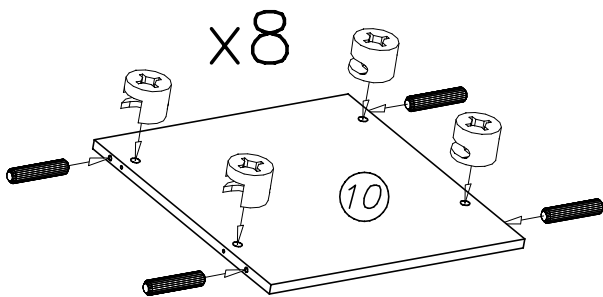
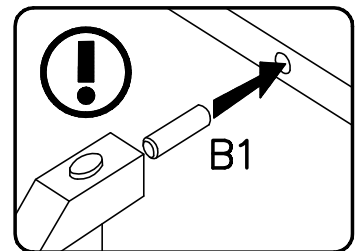
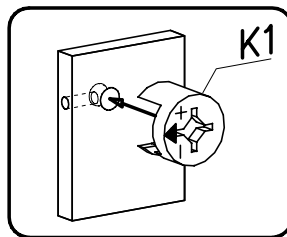
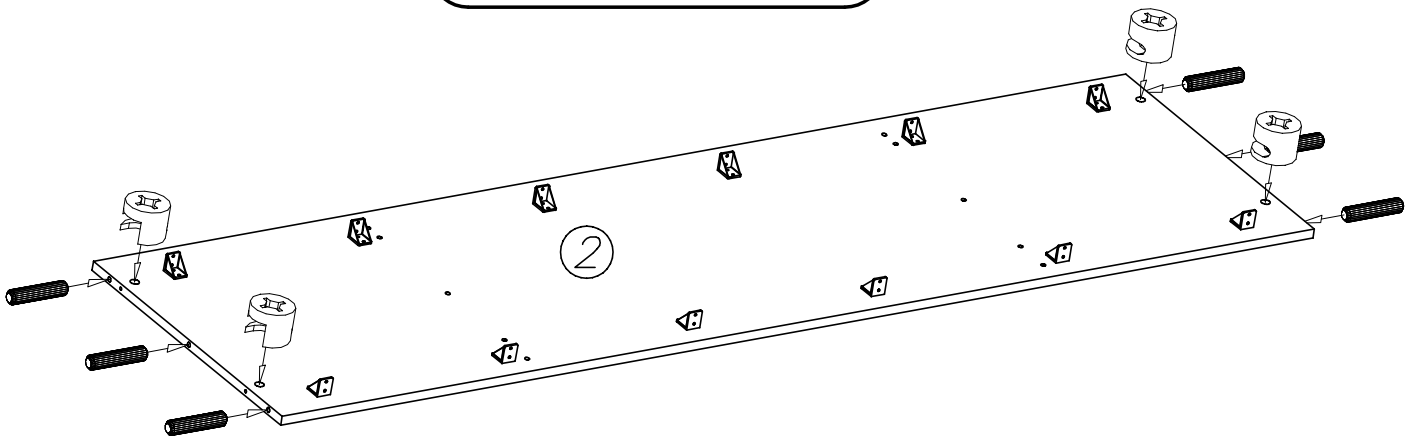
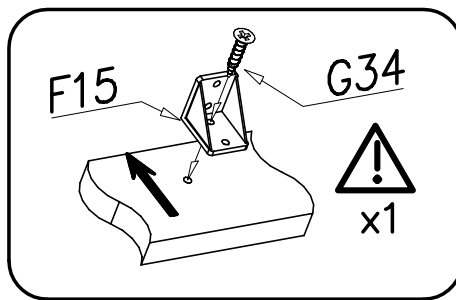
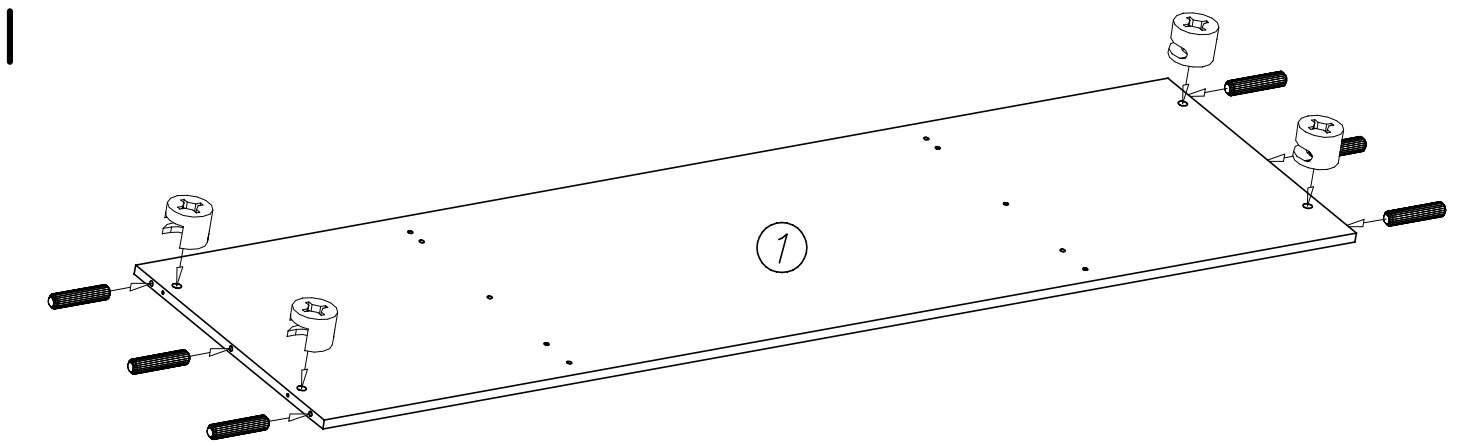
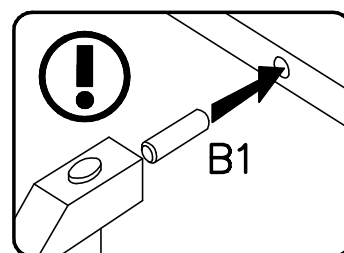
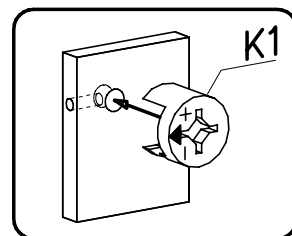
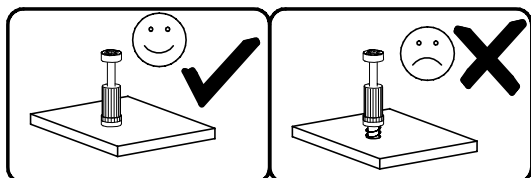
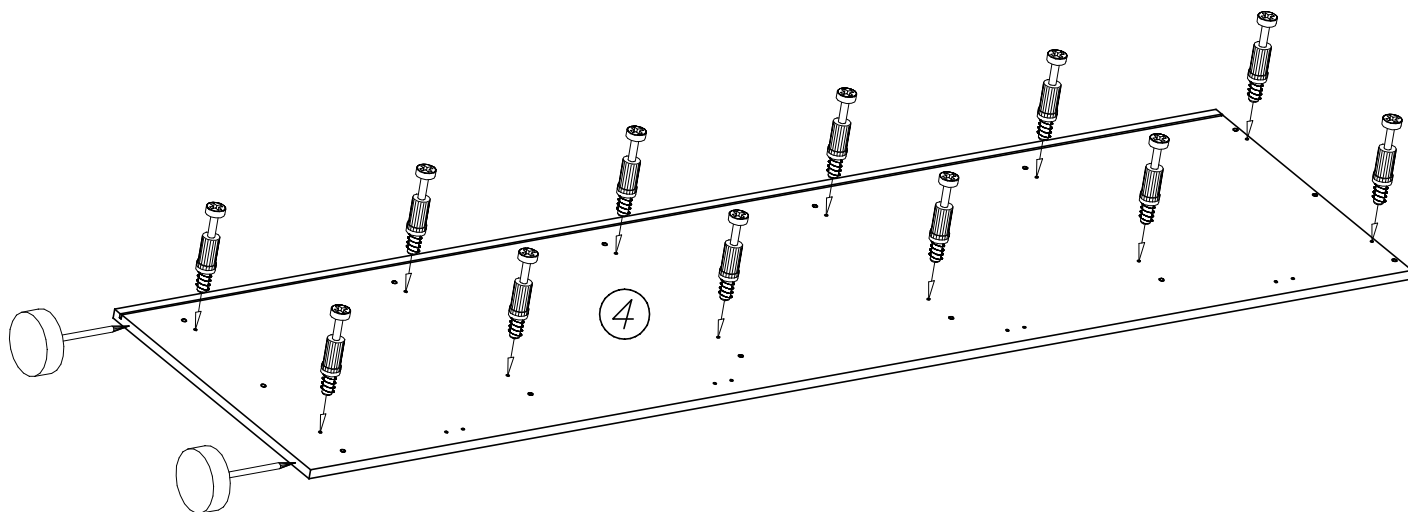
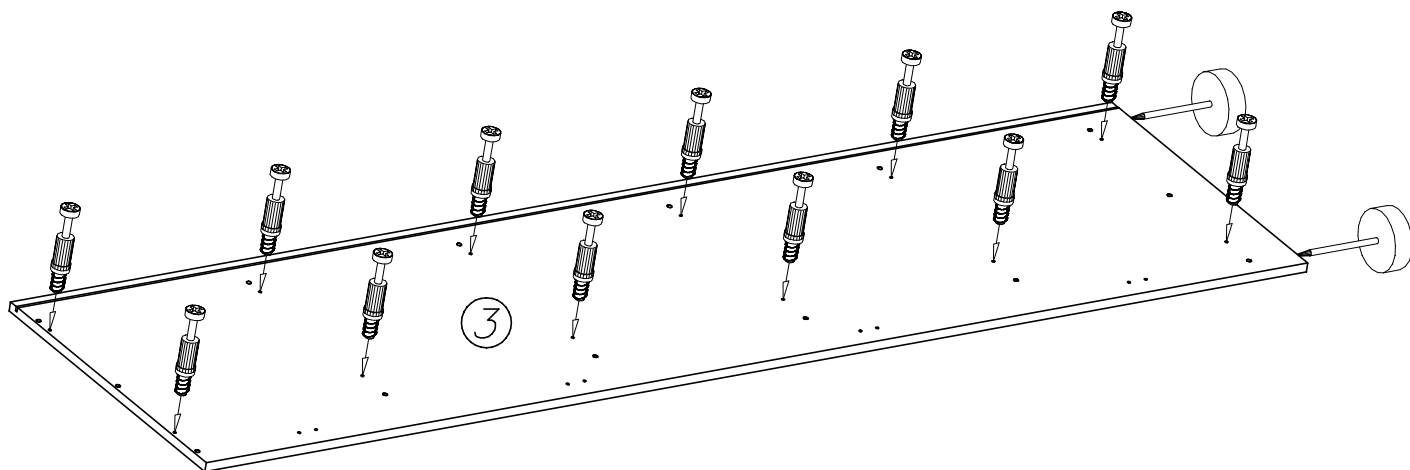


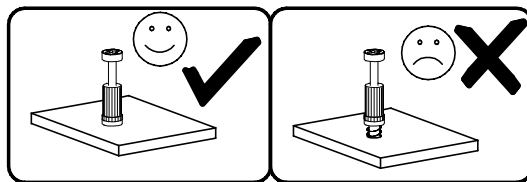
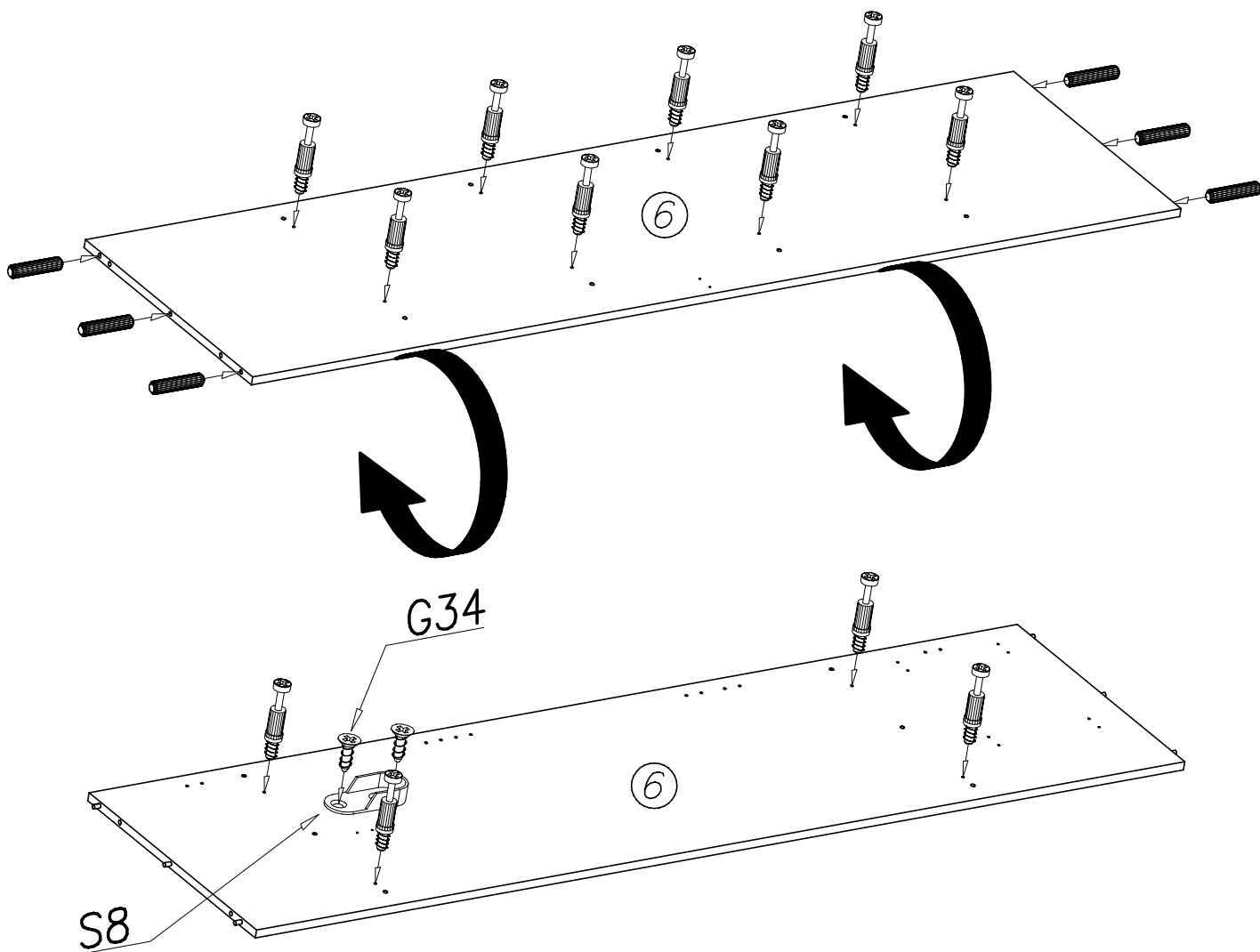
P4  x...(8)	G57  3,5x16 x...(68)	F15  x...(16)	I7  ø18 x...(48)	
K1  ø15x12 x...(48)	S1  1988mm x...(1)	I1  x...(10)	A1  ø7x50 x...(8)	G2  3x20 x...(126)
K10  x...(48)	B1  ø8x35 x...(68)	W2  x...(1)	M11  x...(2)	S2  x...(36)



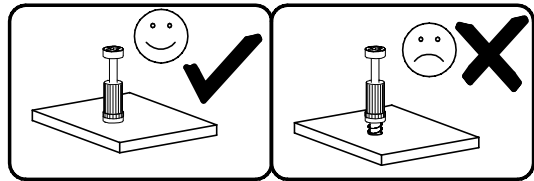
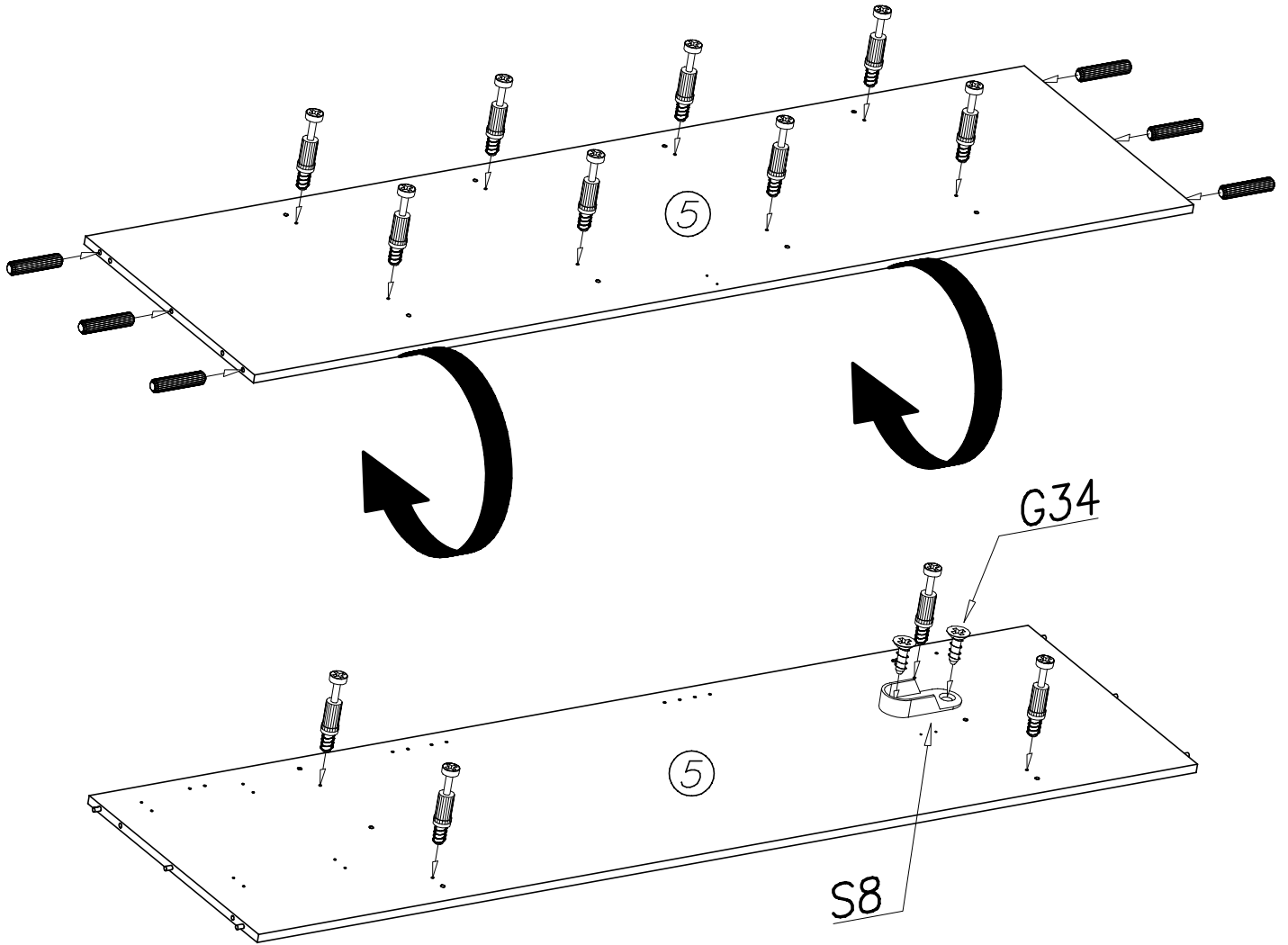
II



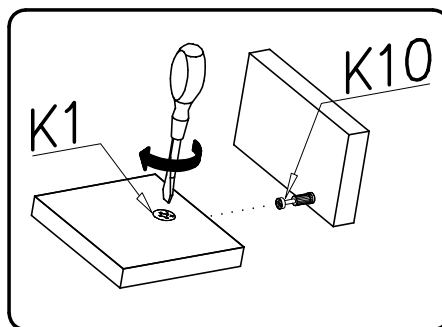
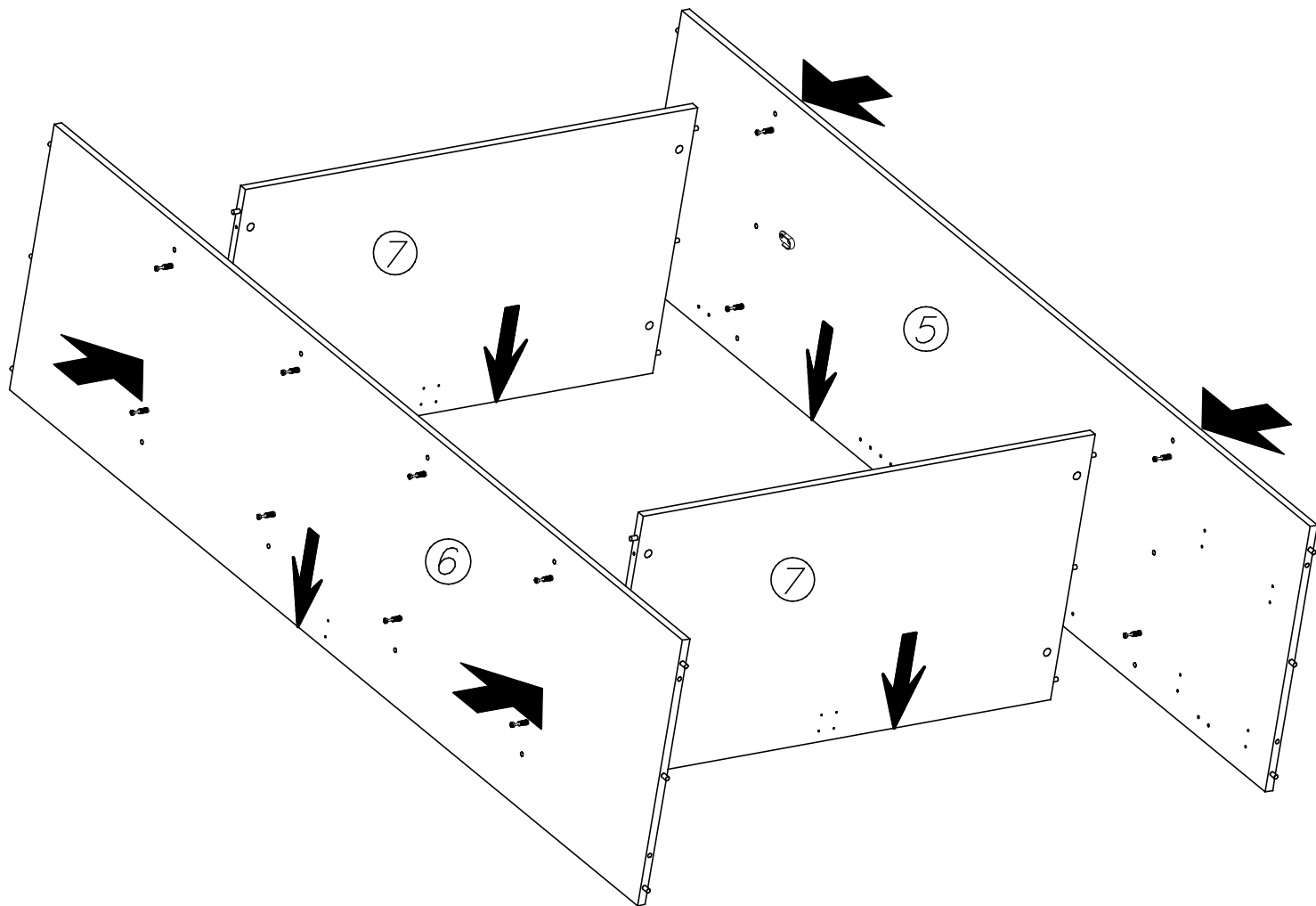
III



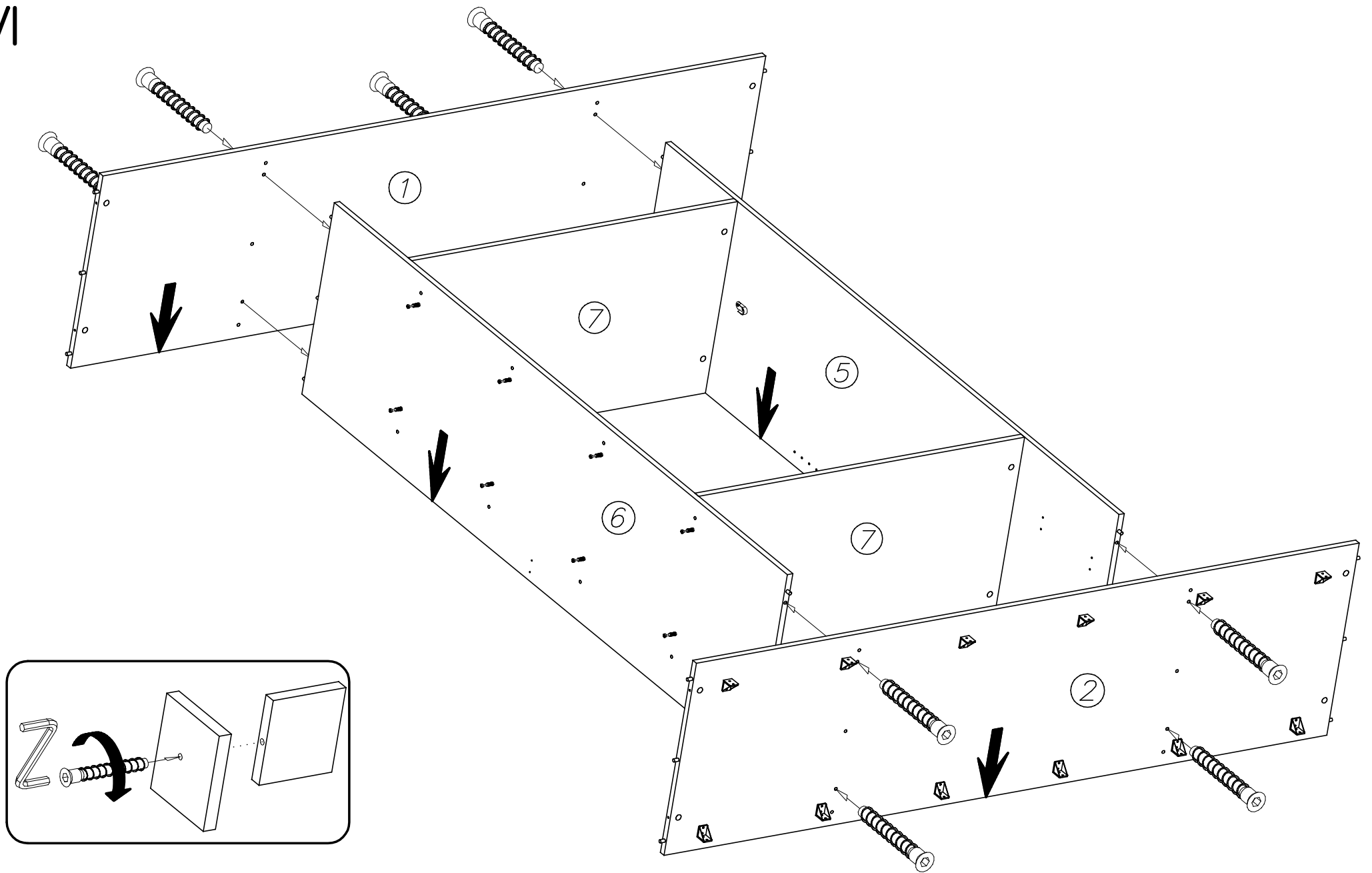
IV



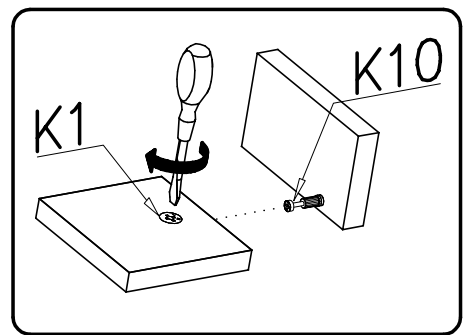
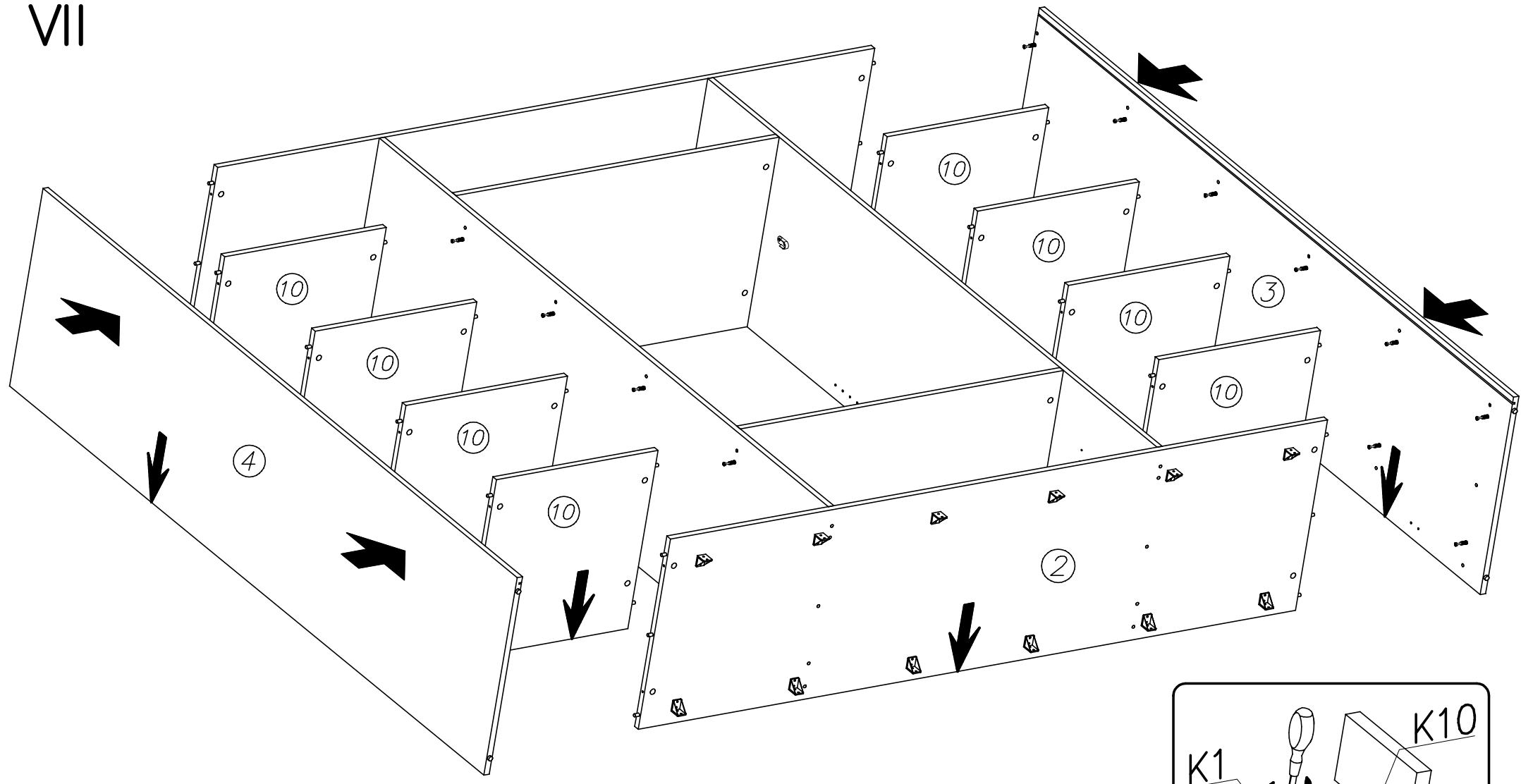
V



VI

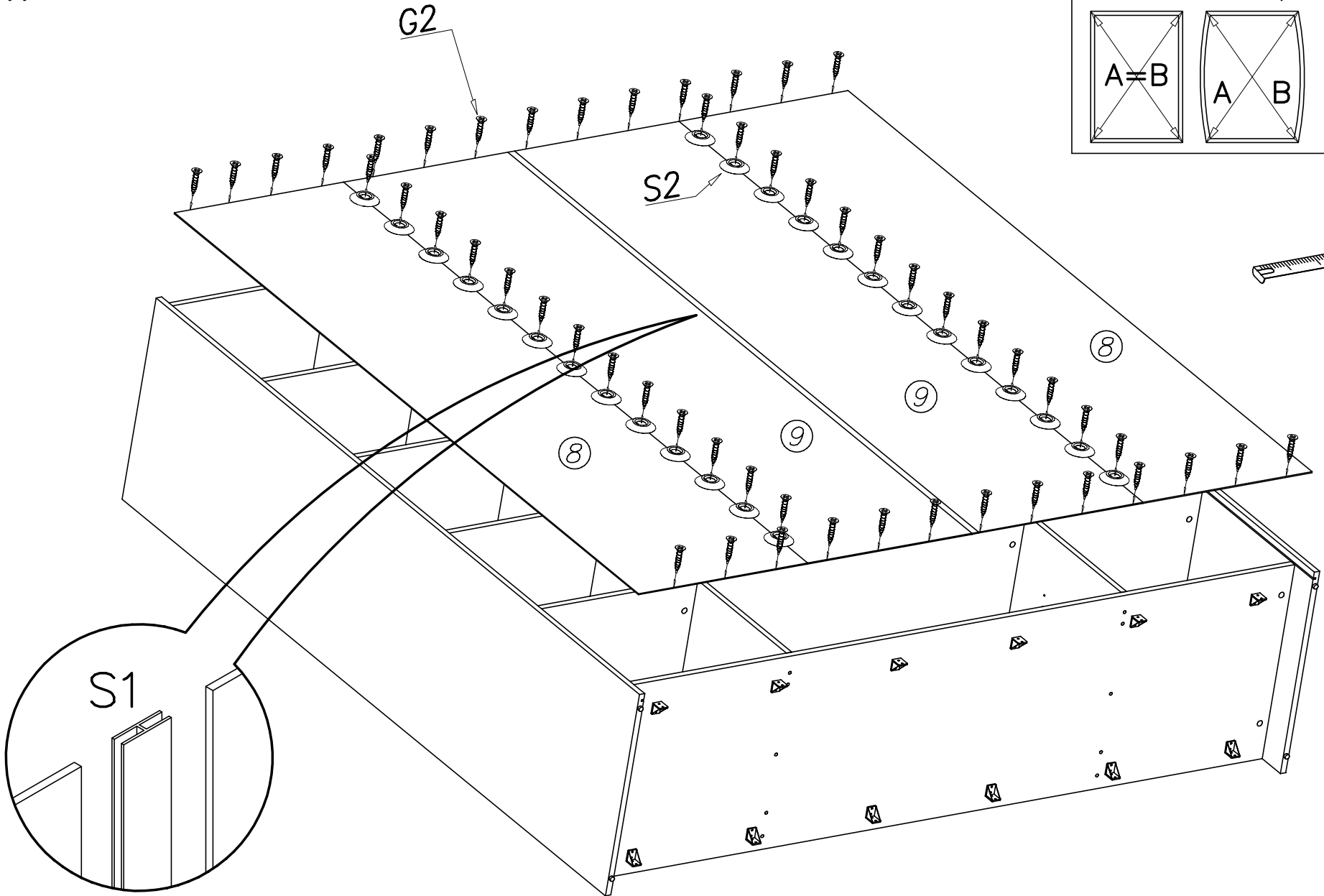
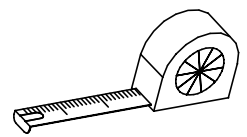
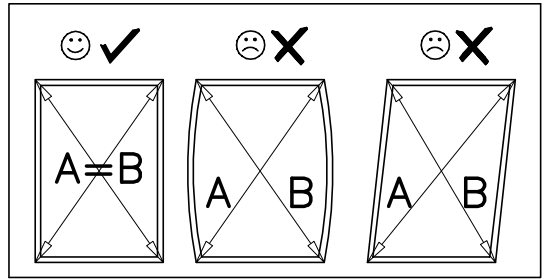


VII

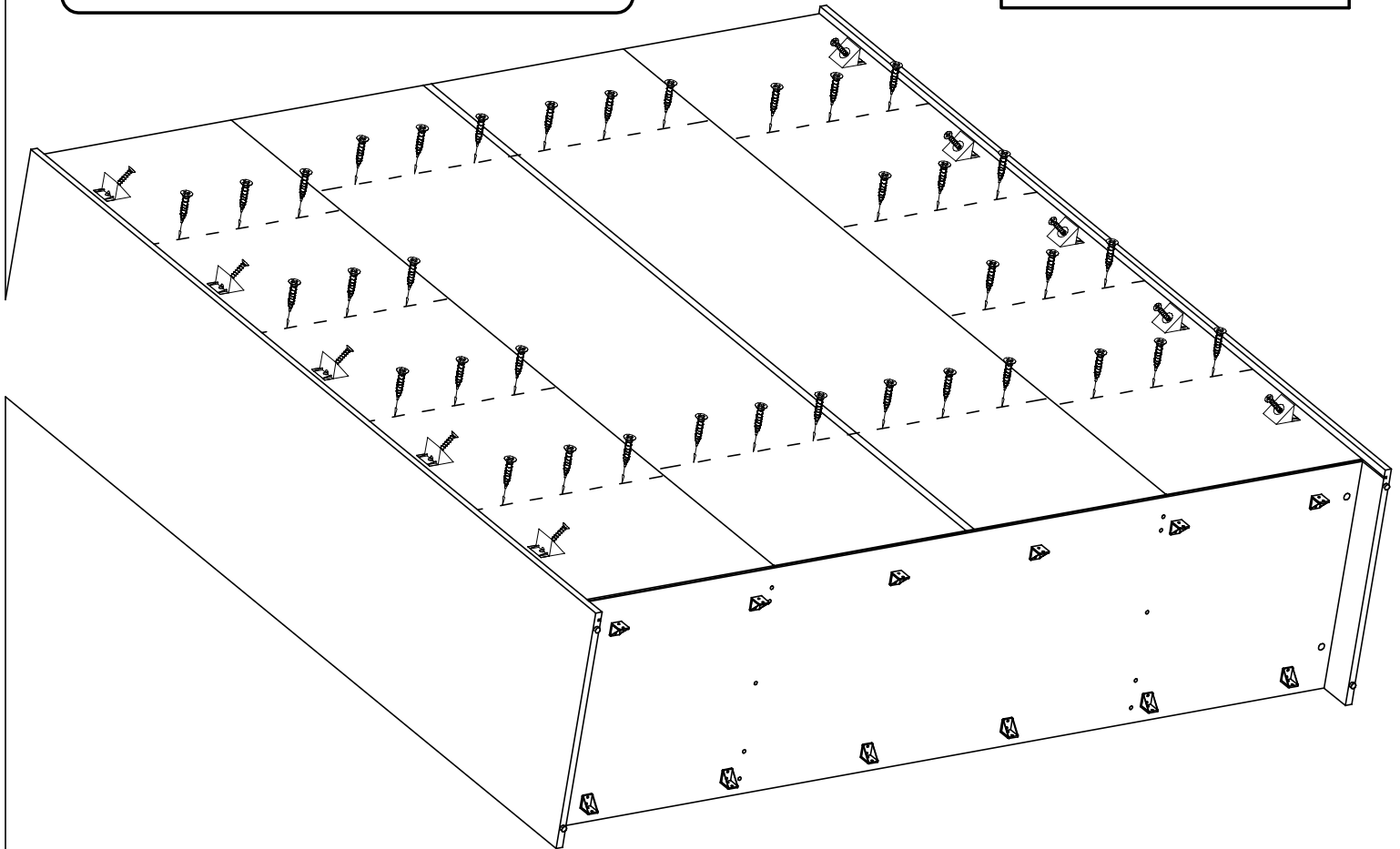
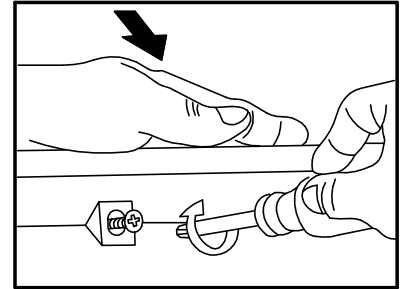
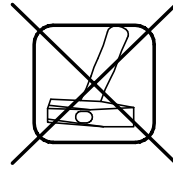
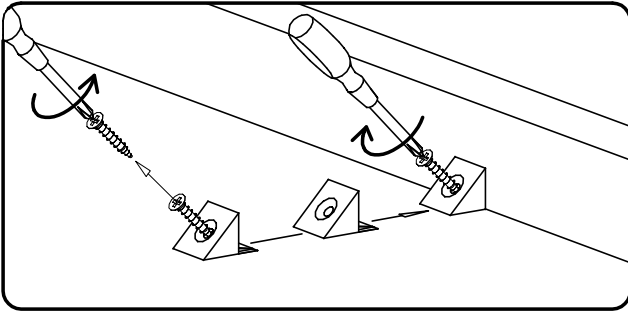
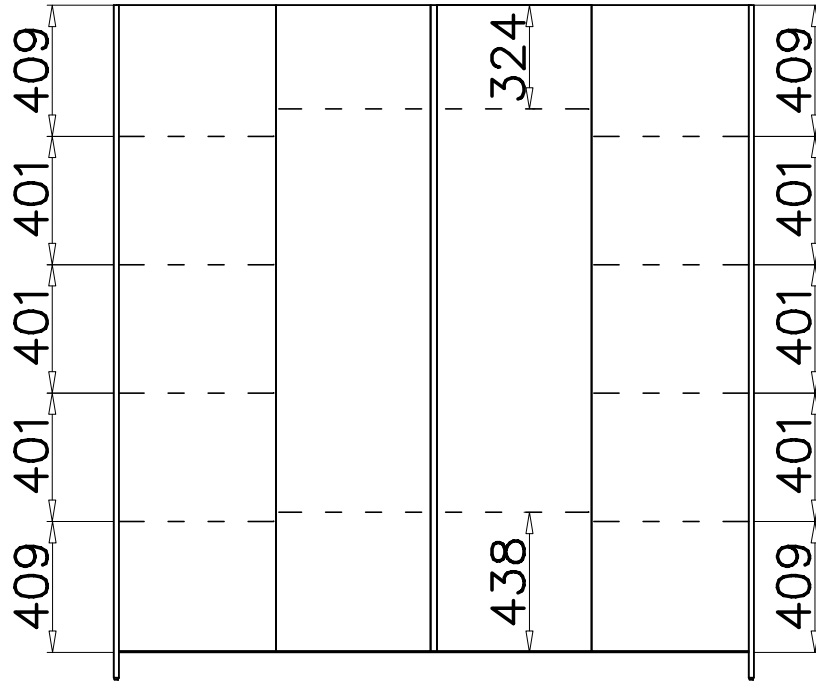


VIII

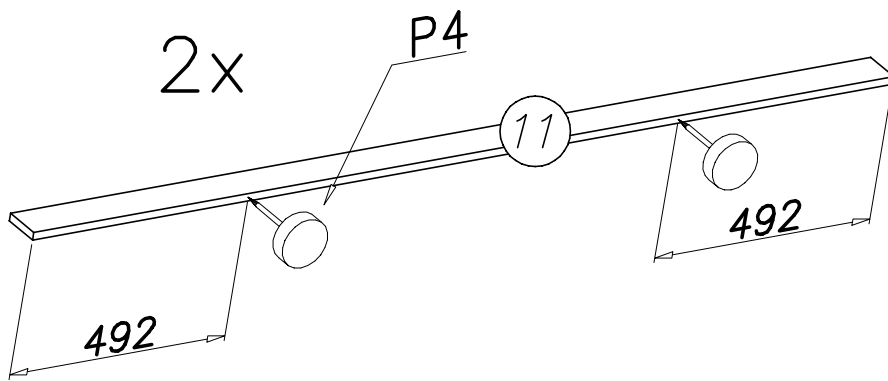
A=B



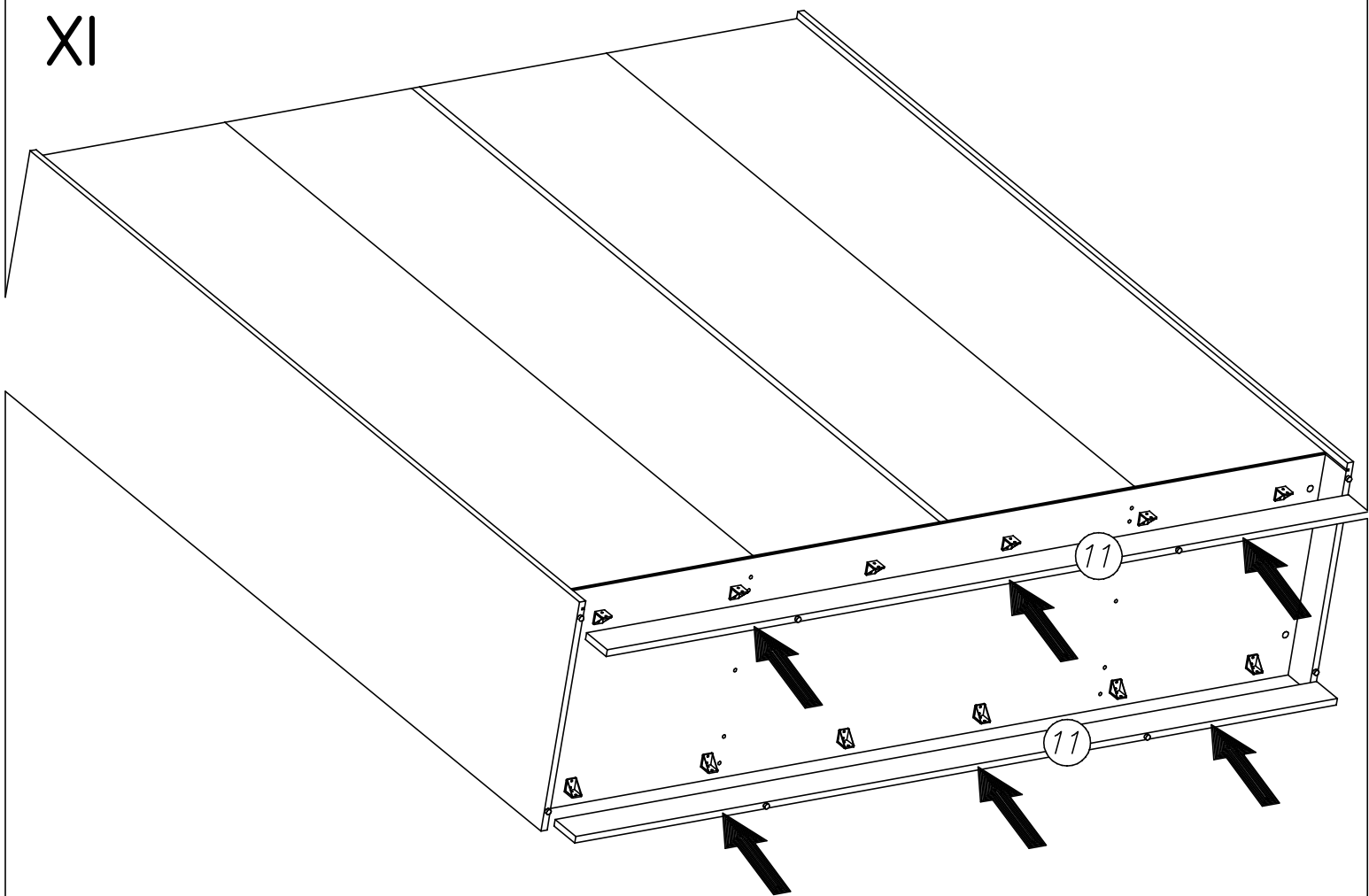
IX



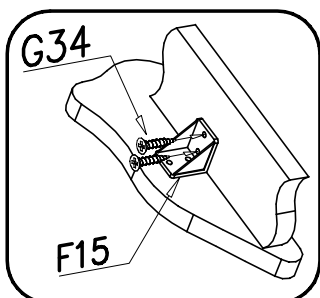
X



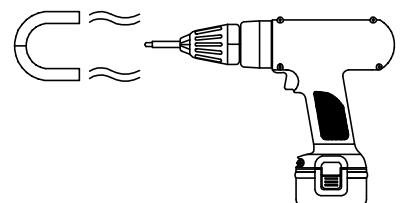
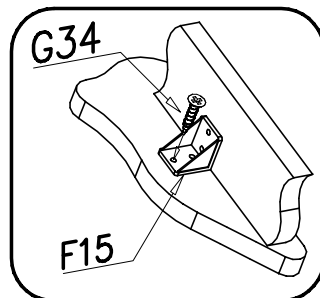
XI



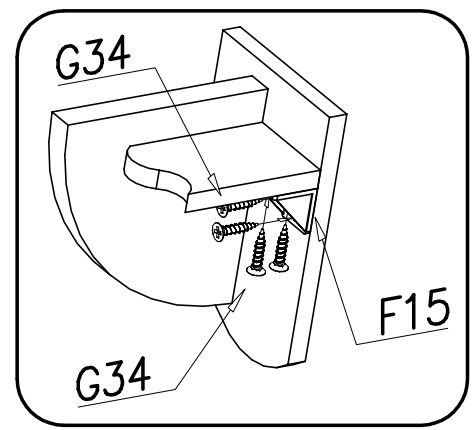
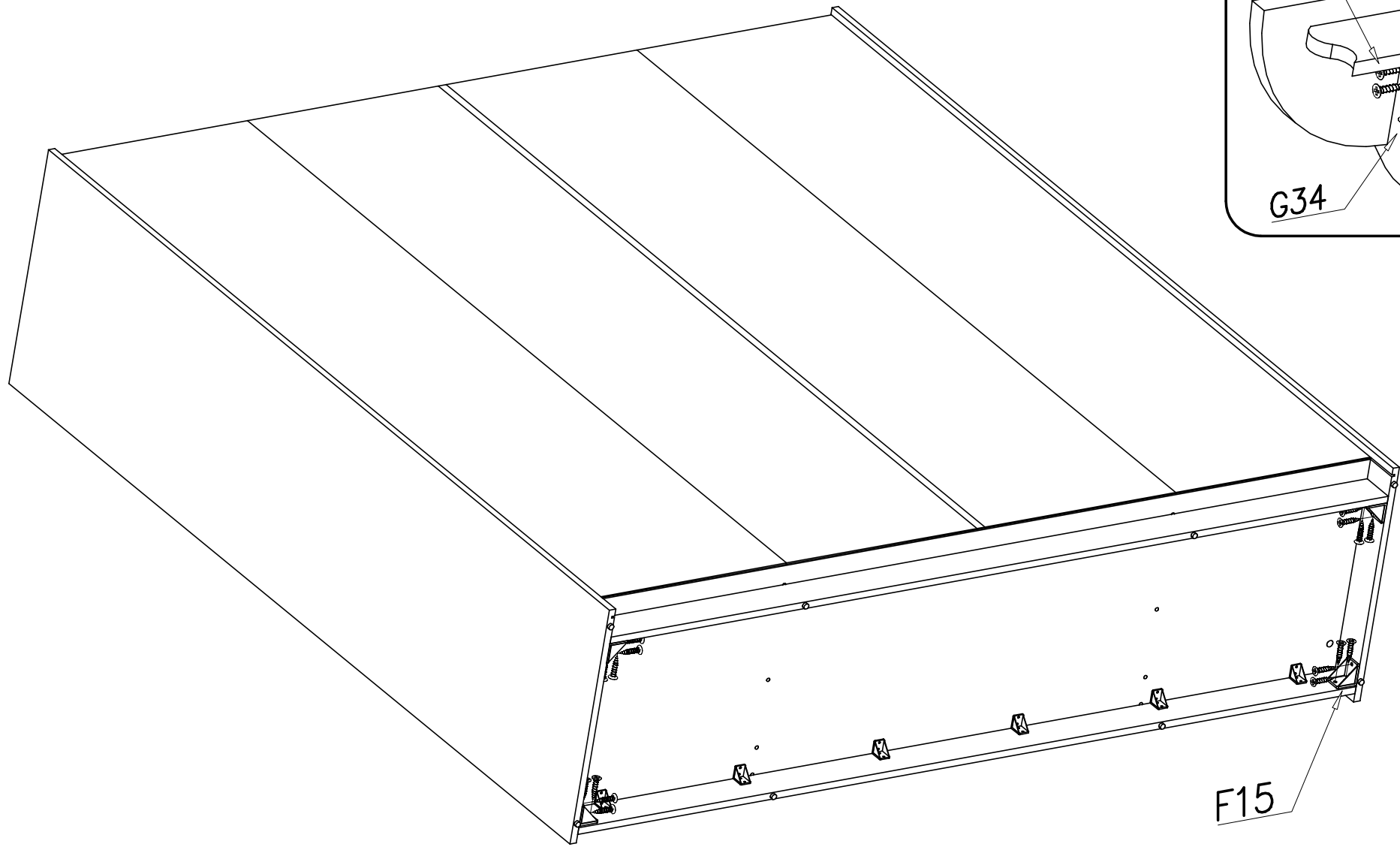
1.



2.

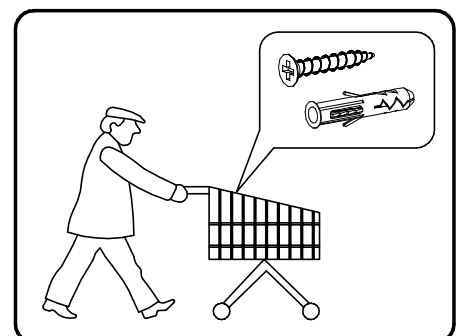
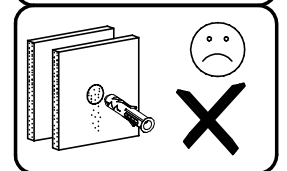
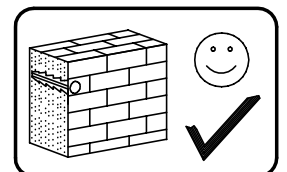
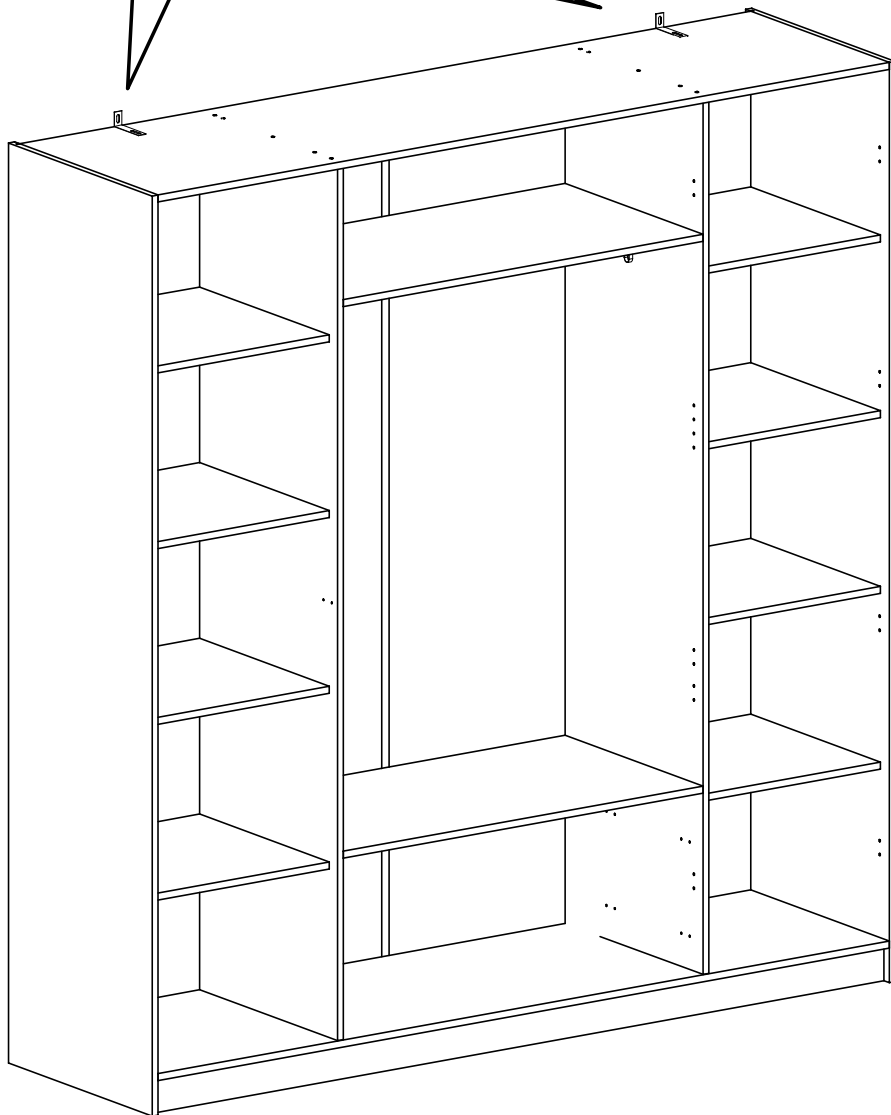
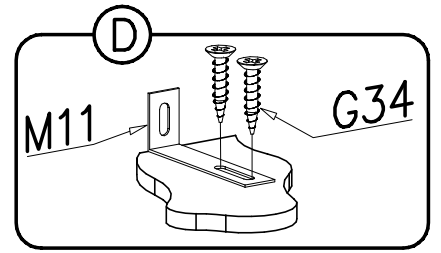
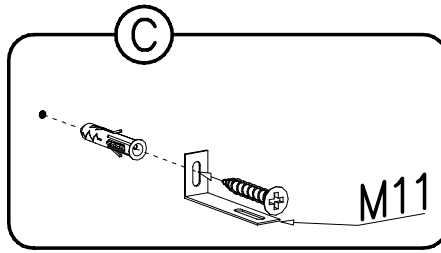
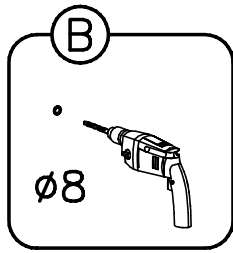
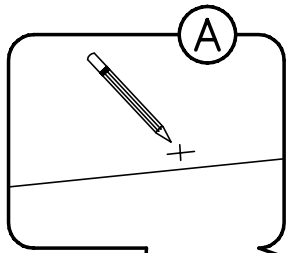


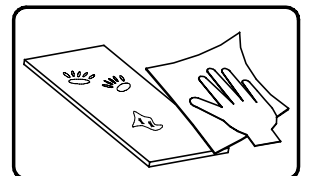
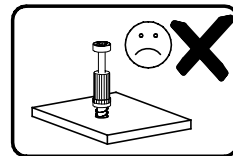
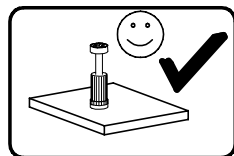
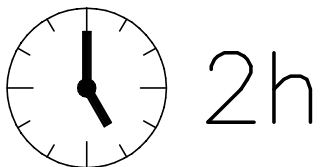
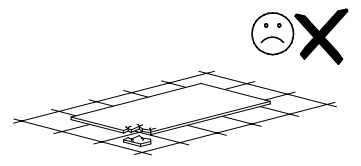
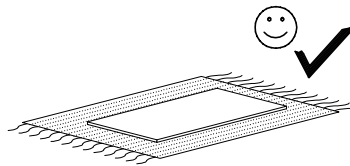
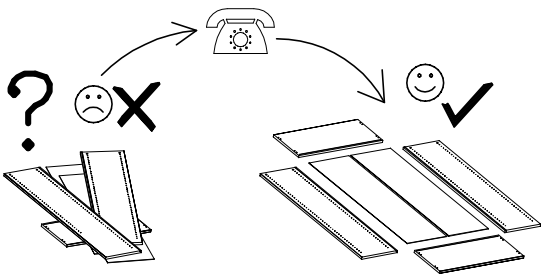
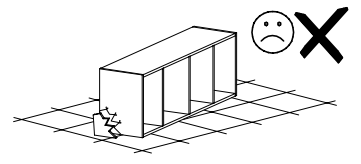
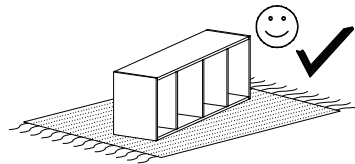
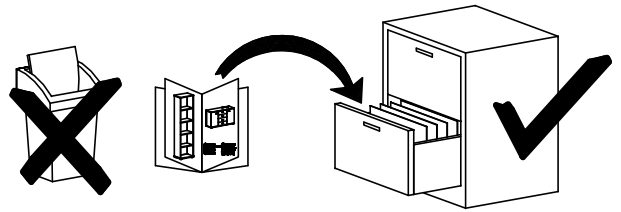
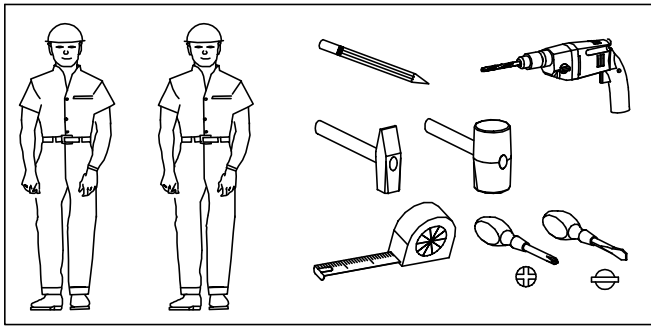
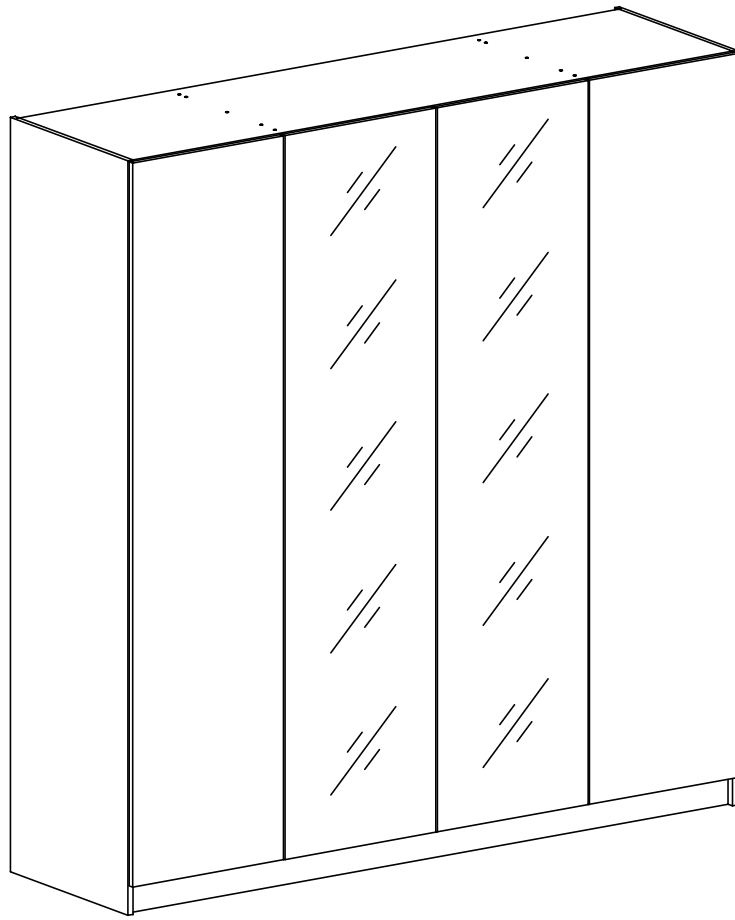
XII

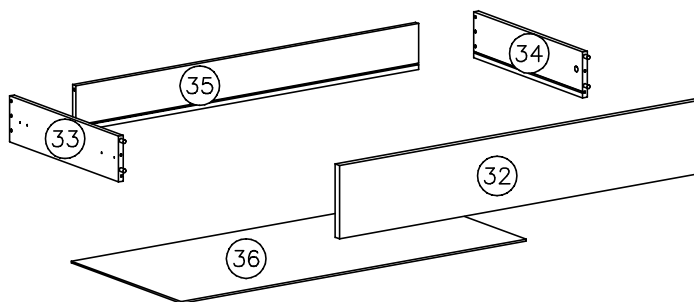
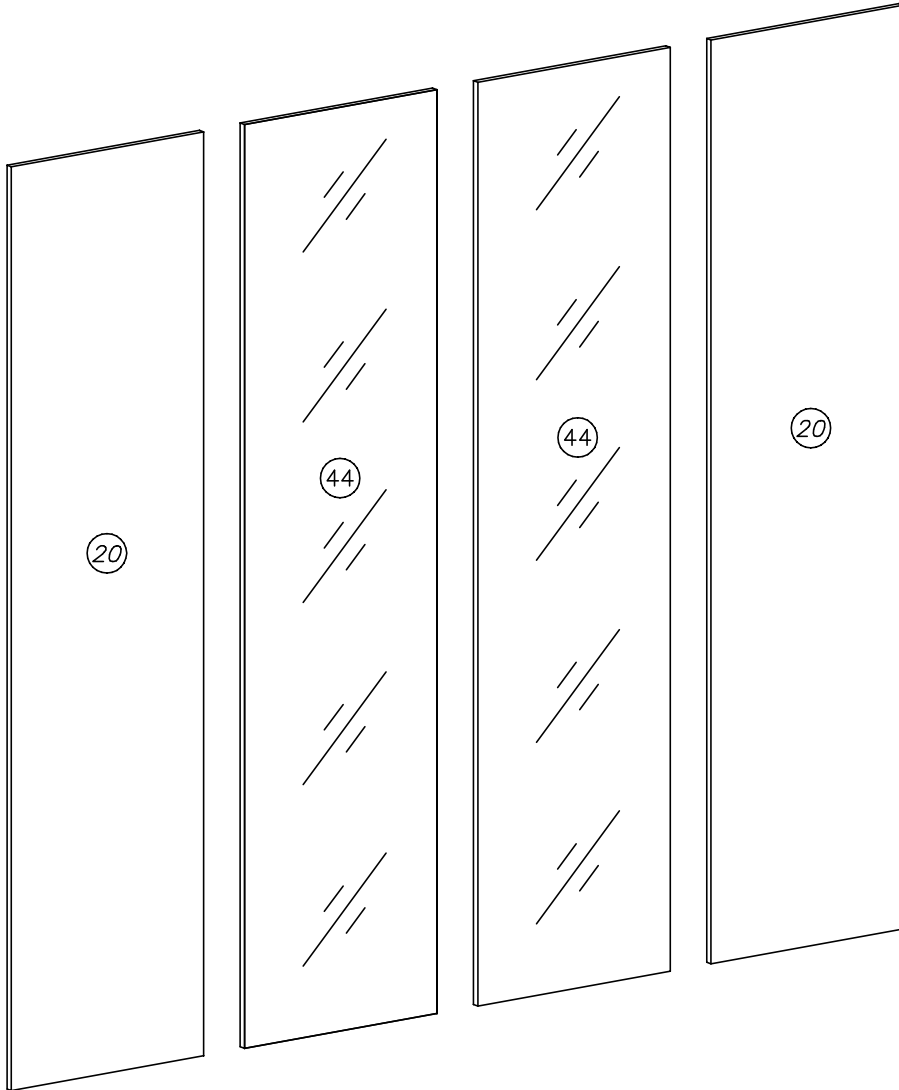
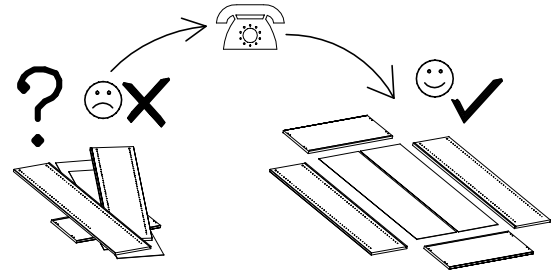
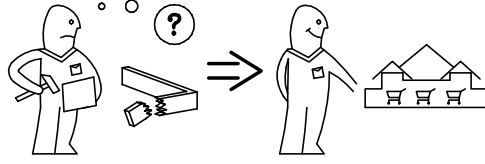
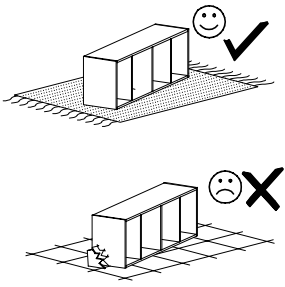


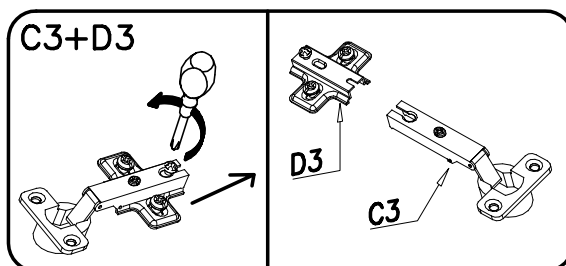
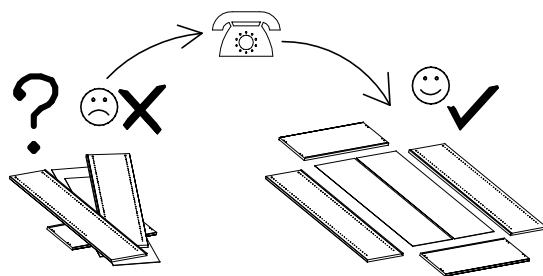
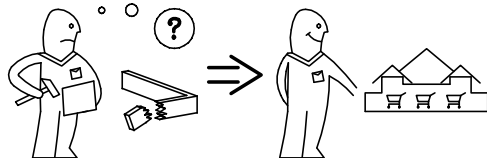
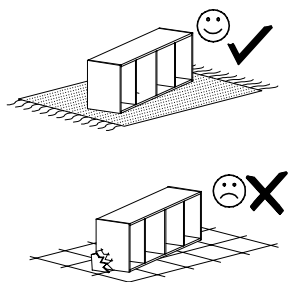
F15

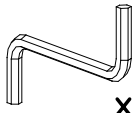

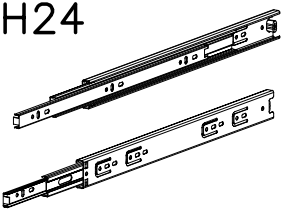
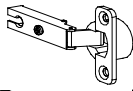


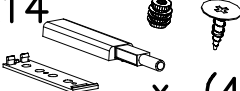



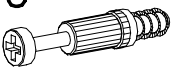

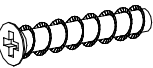

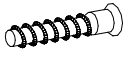
XIII



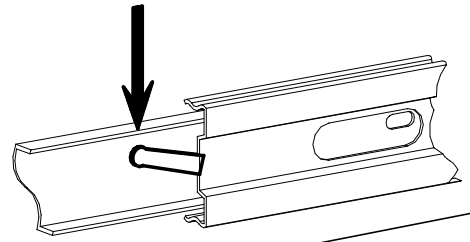
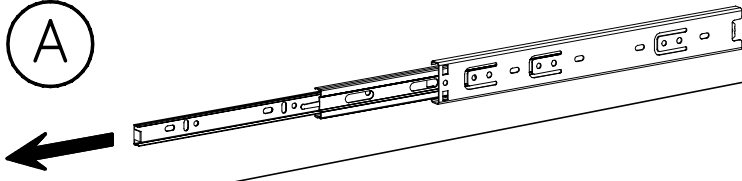




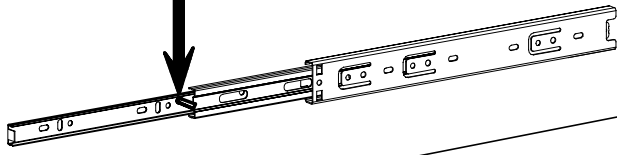


			W2  x...(1)	K4  ø12x10 x...(4)
H24  H35-400mm x...(2)	C3  Z35PR x...(16)	G34  3,5x16 x...(36)	G57  3,5x16 x...(8)	L14  x...(4)
	D3  H=2 PZ35PR x...(16)	I27  18mm x...(8)	M8  400mm x...(2)	
K10  x...(4)	W1  GLUE, LEIM, LEPIDLO, LIM x...(1)	G58  6x32 x...(8)	G20  5x11 x...(8)	A6  ø7x40 x...(8)

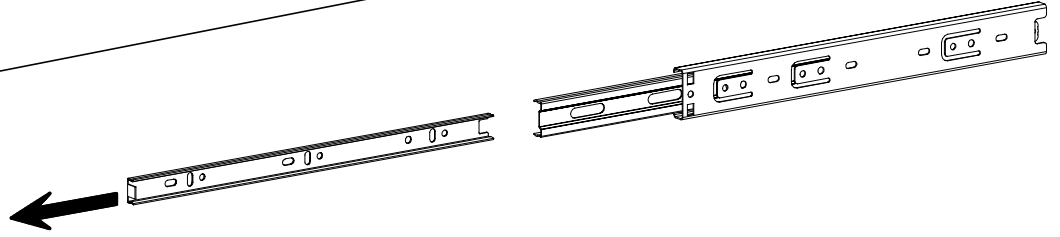
A



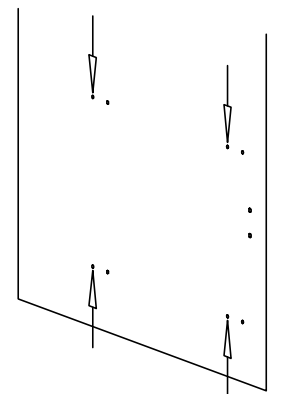
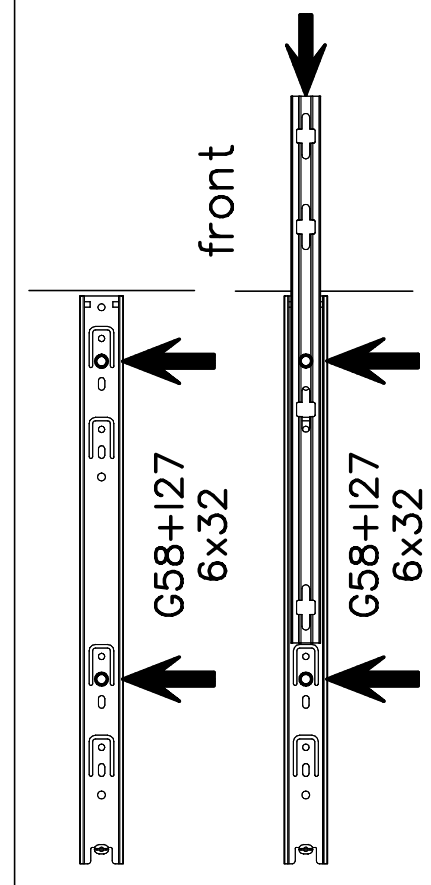
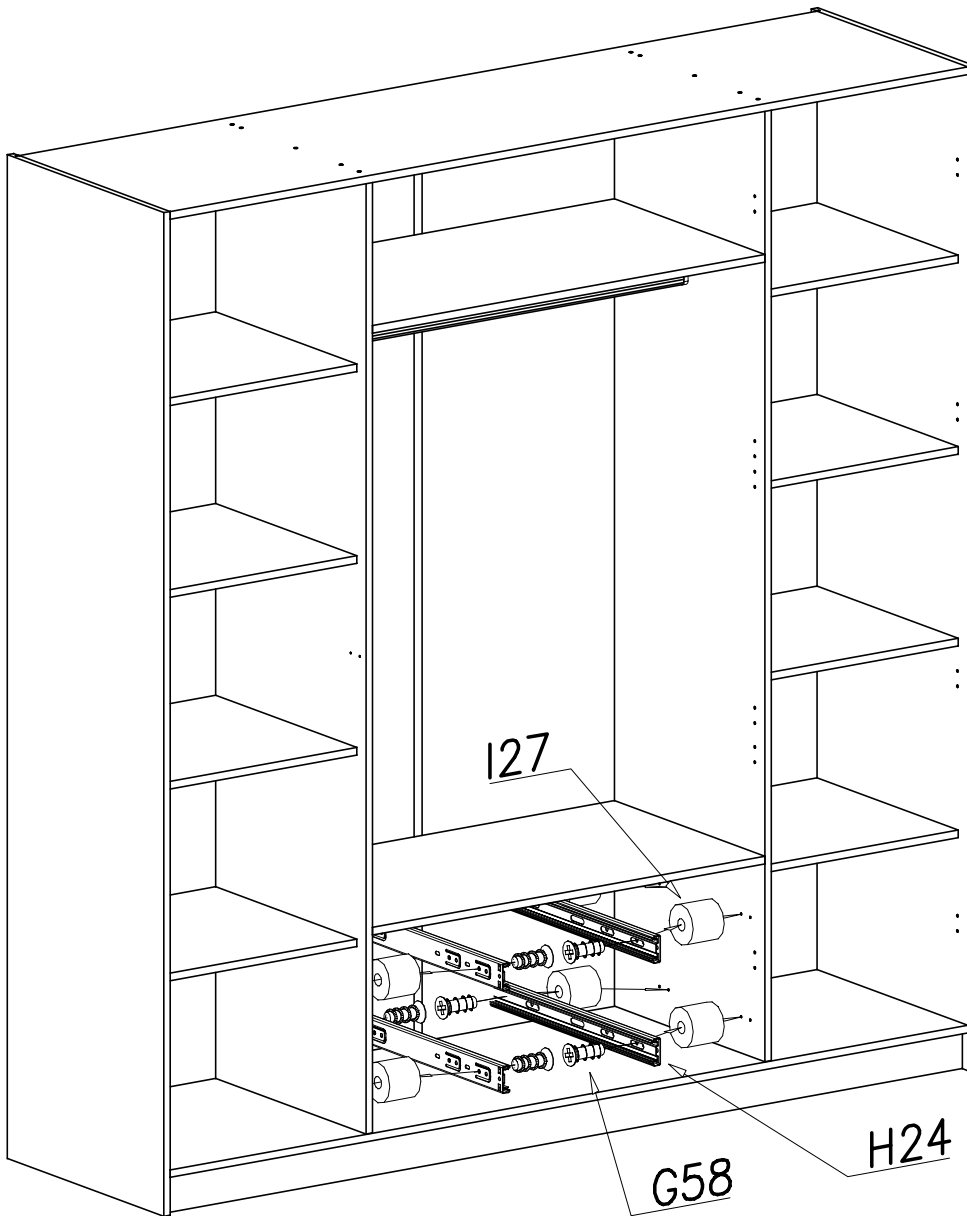
B



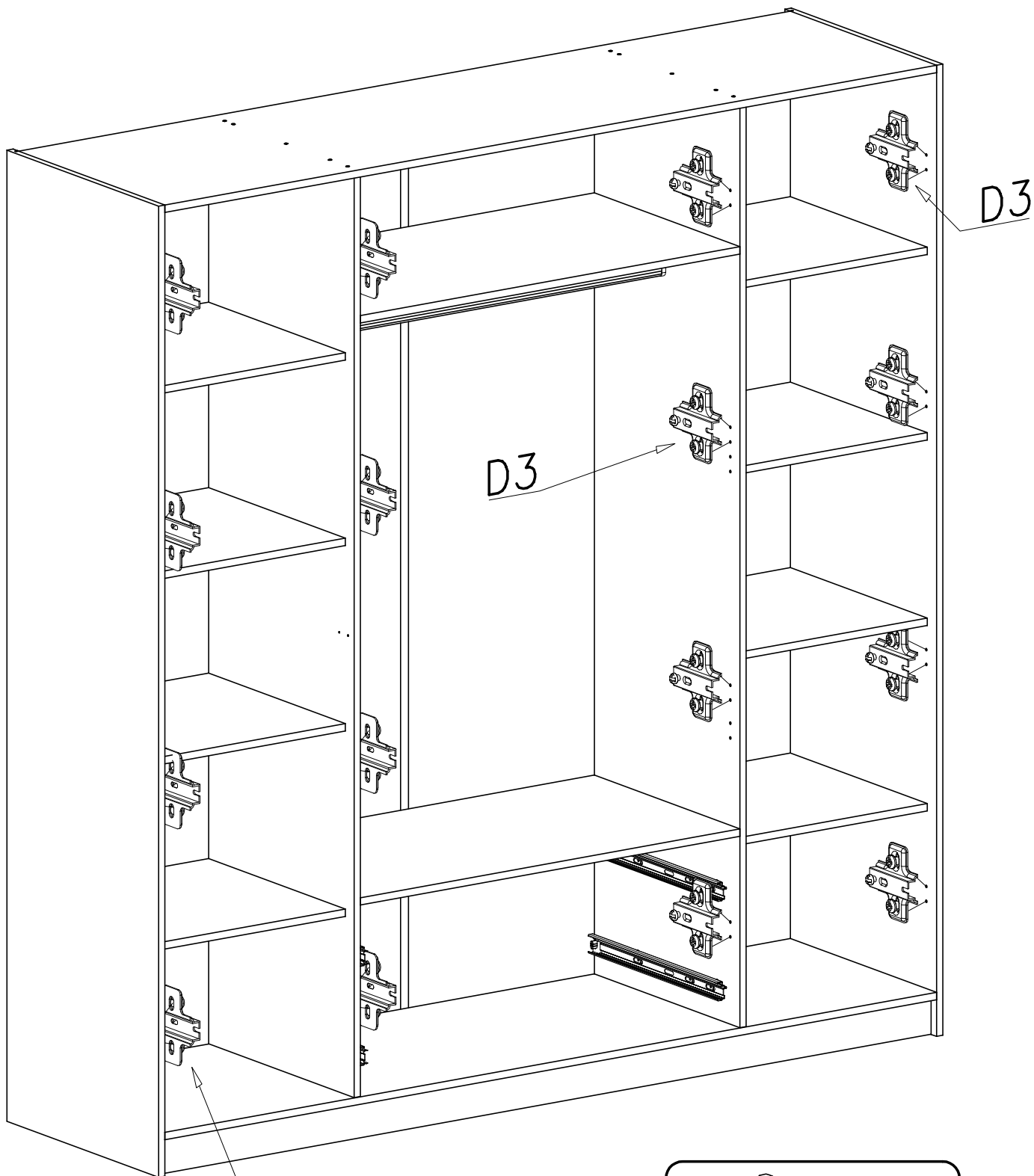
C



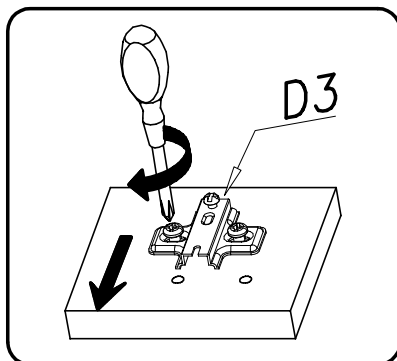
I



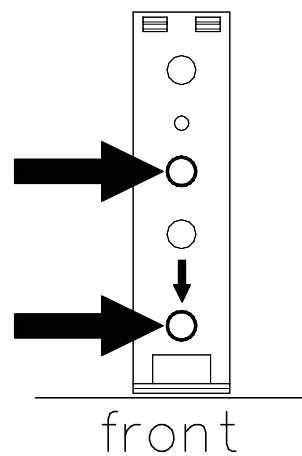
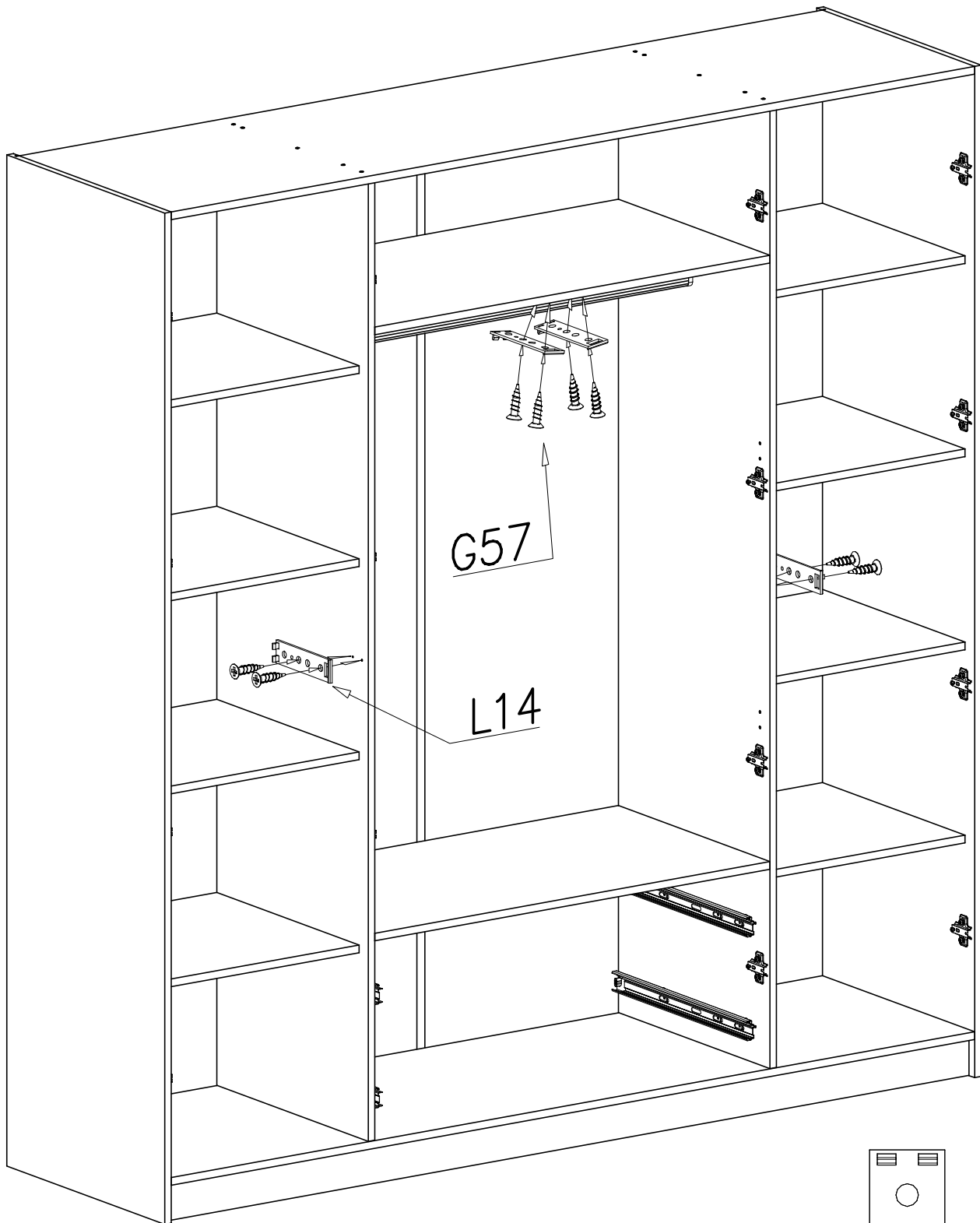
II



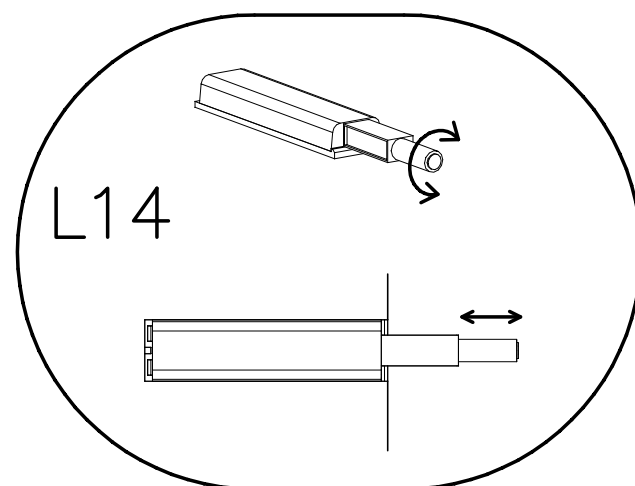
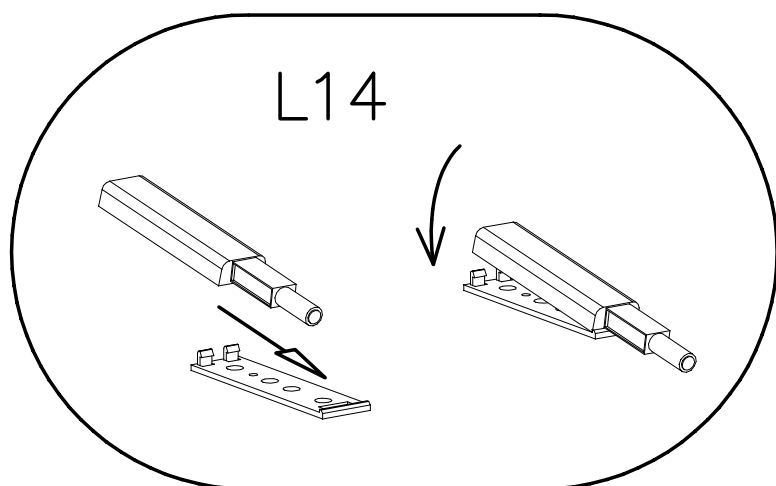
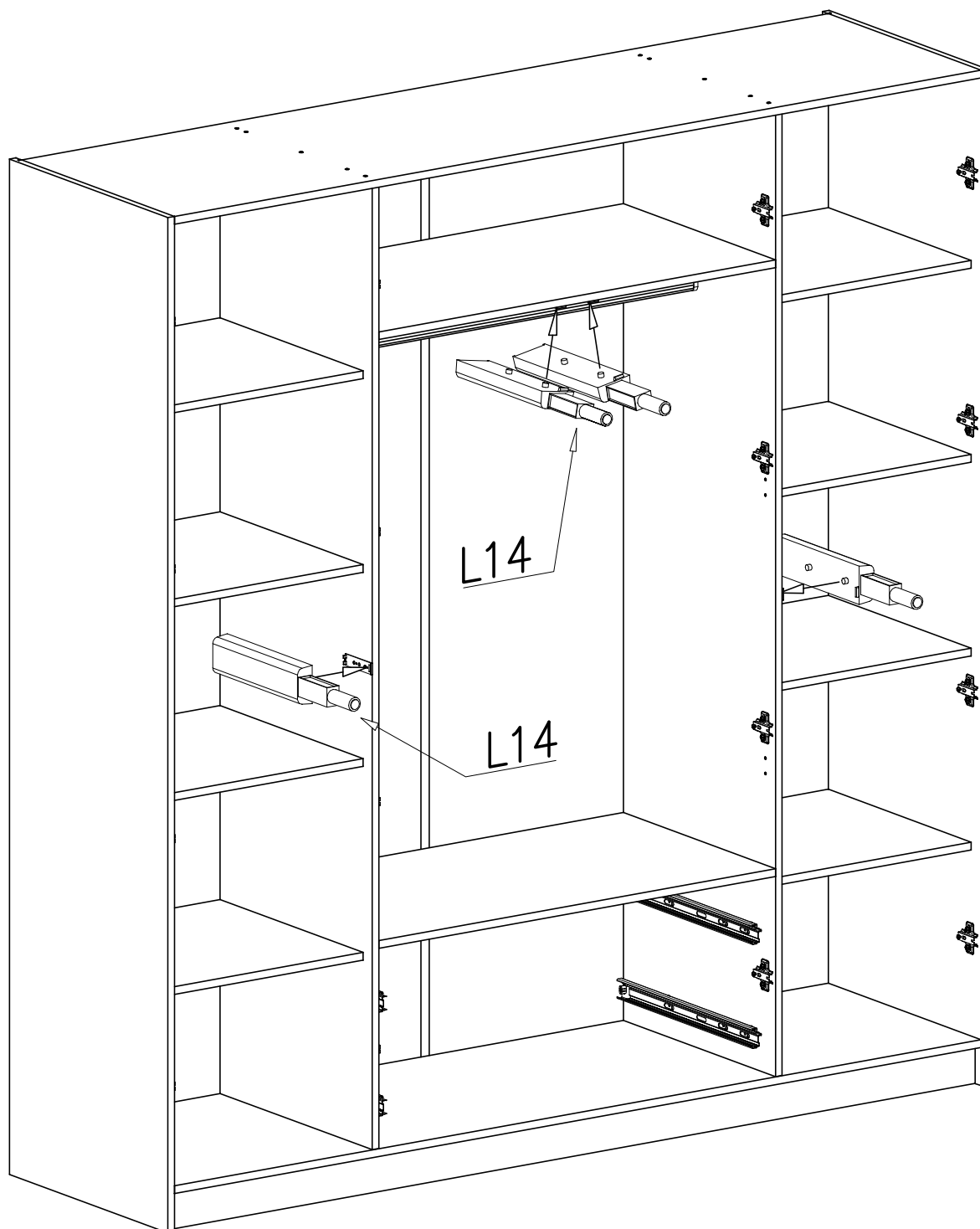
D3



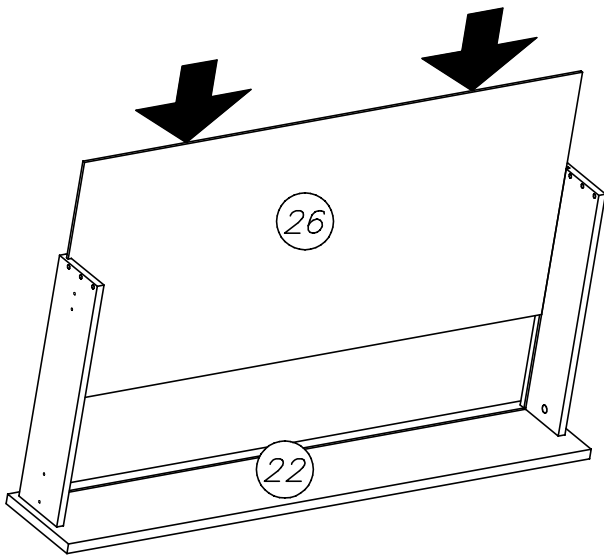
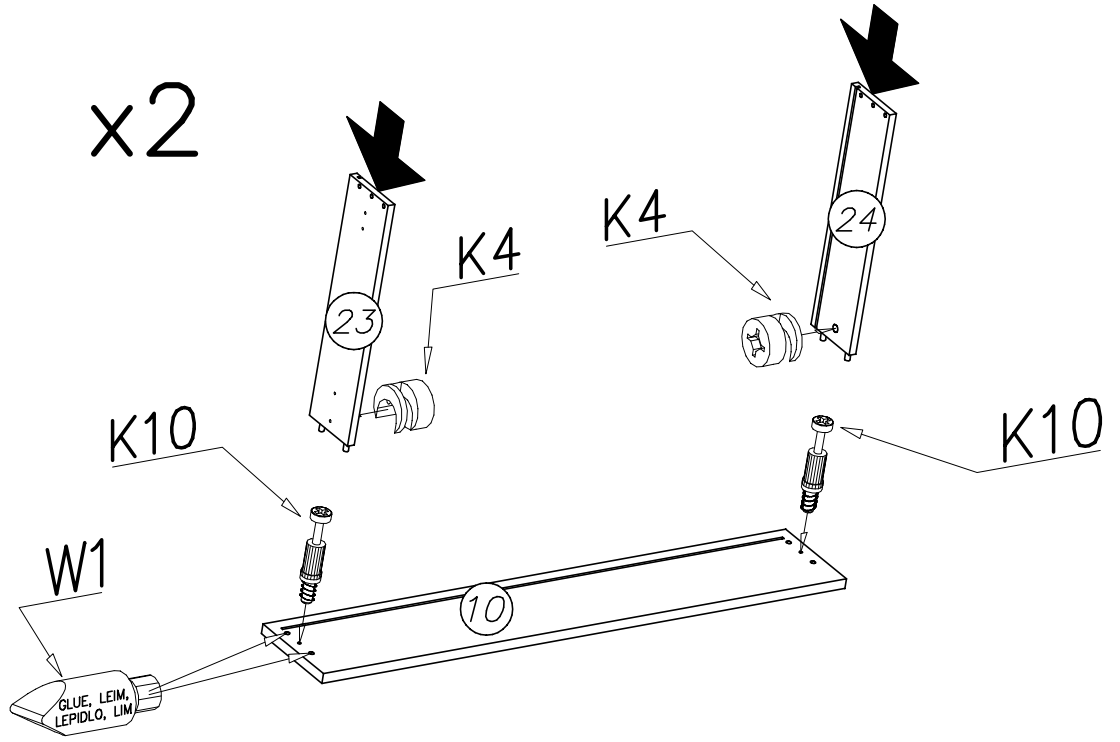
III



IV

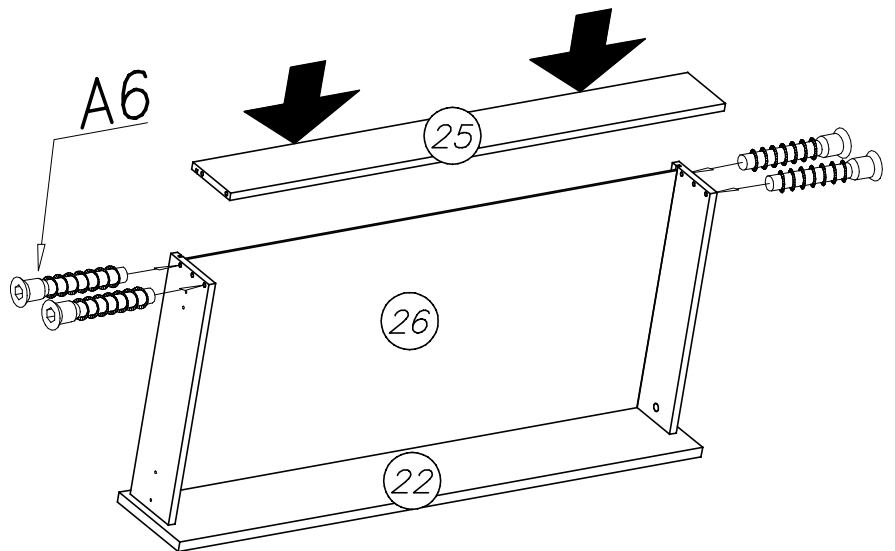


V

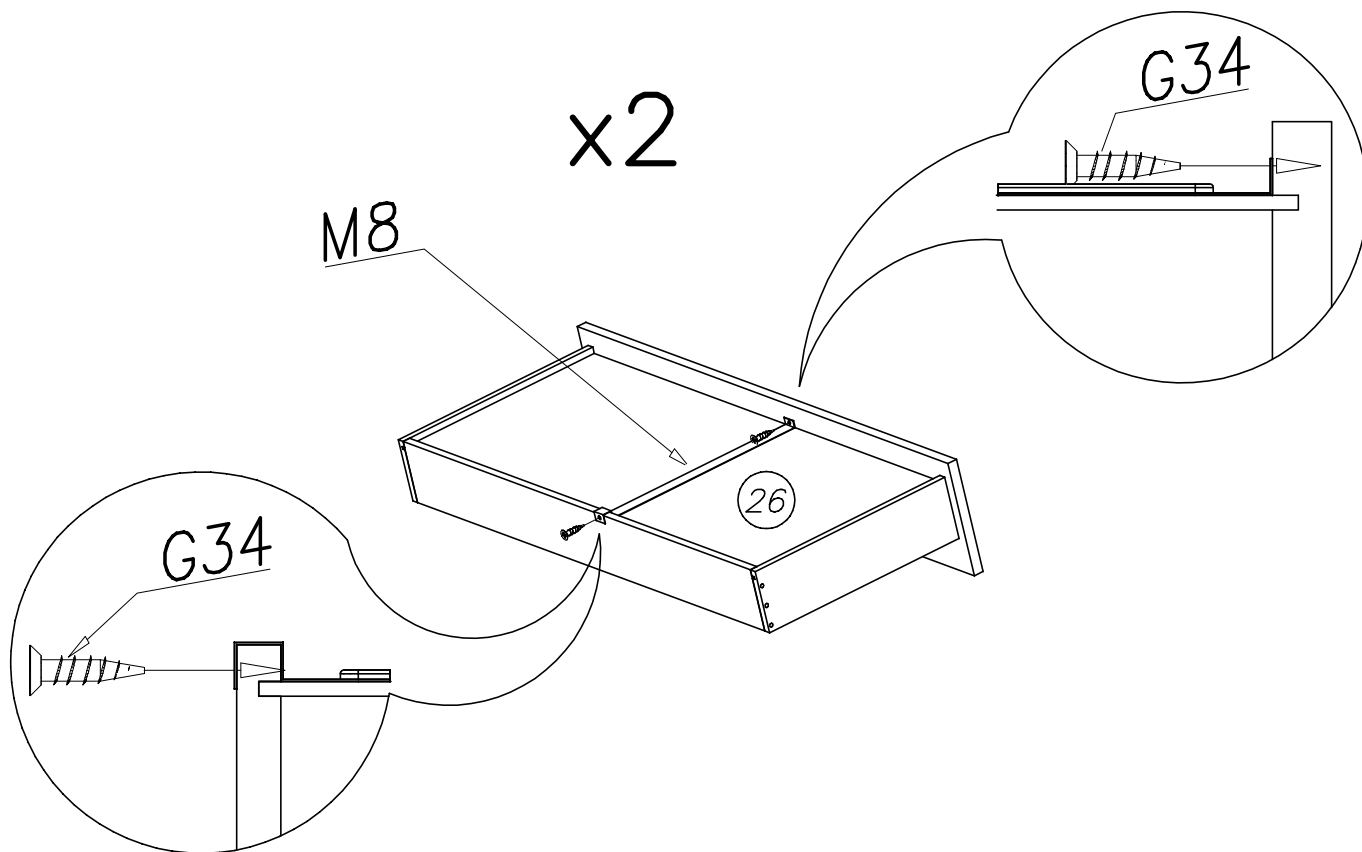


x2

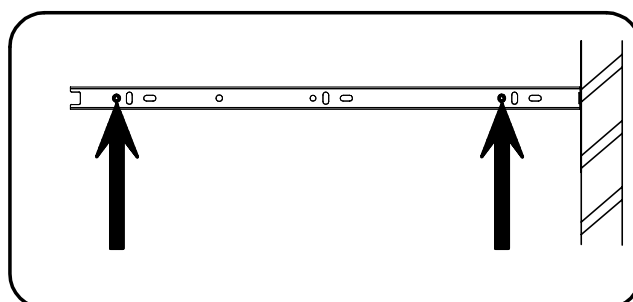
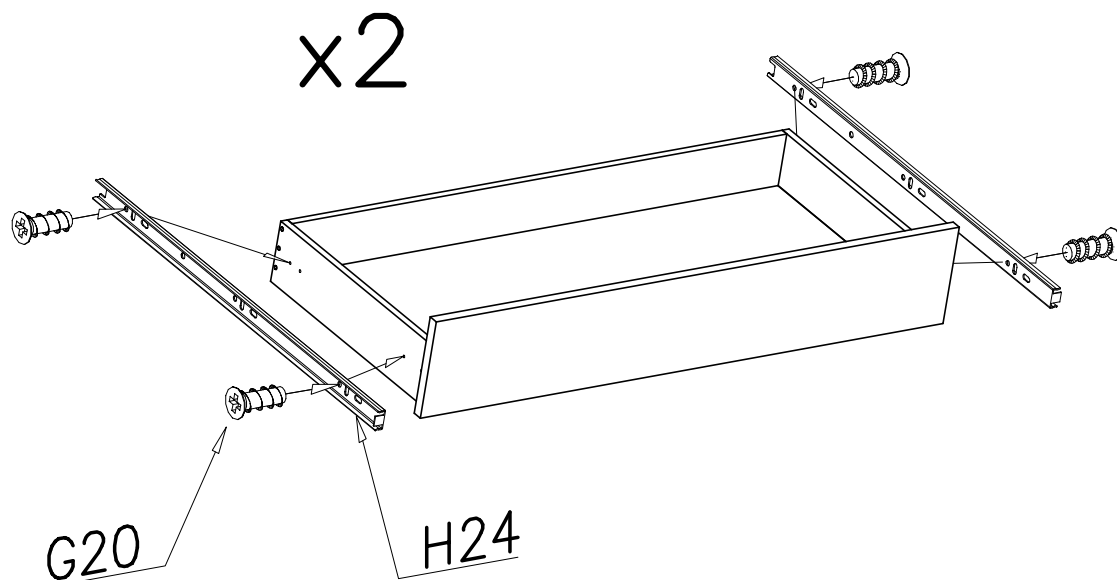
x2



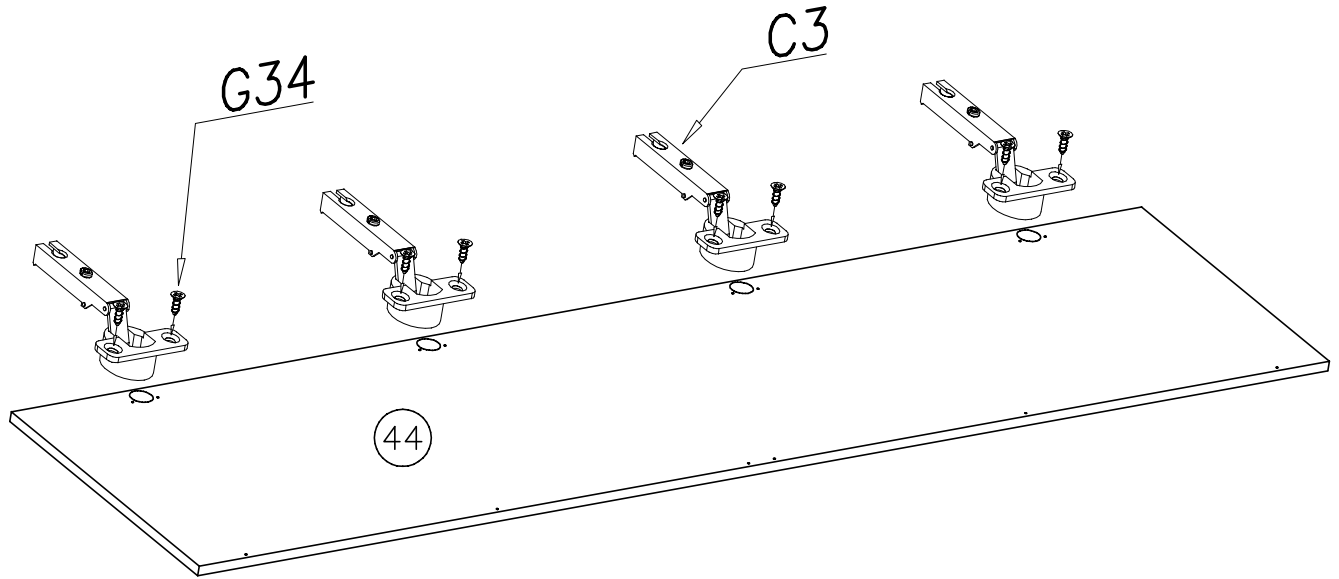
VI



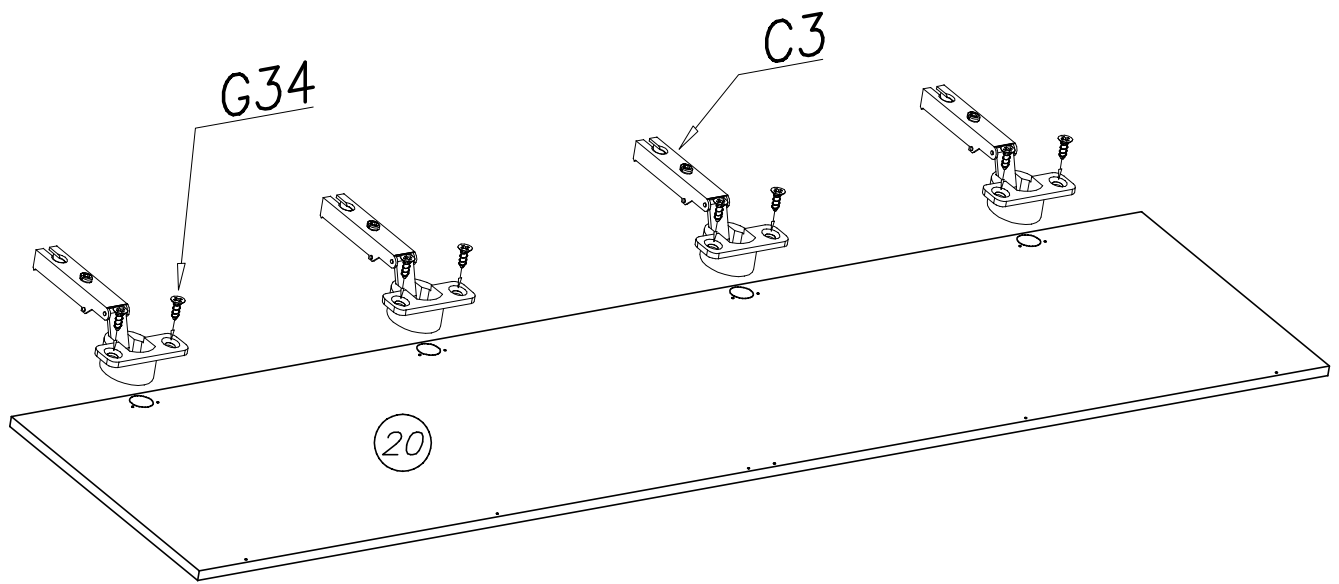
VII



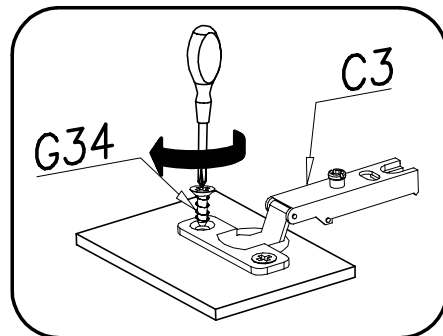
VIII



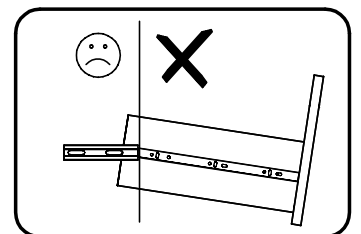
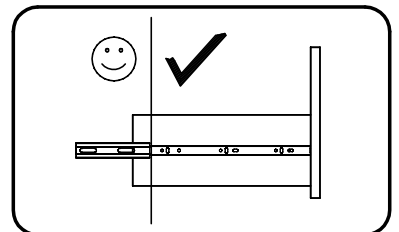
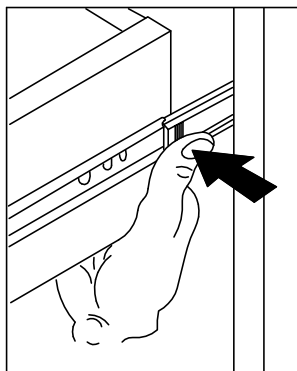
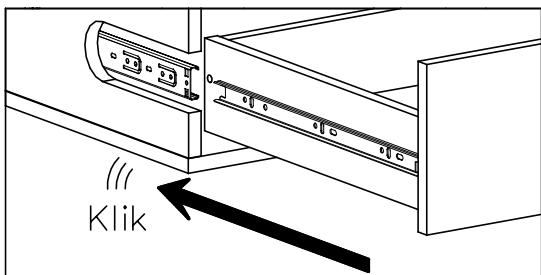
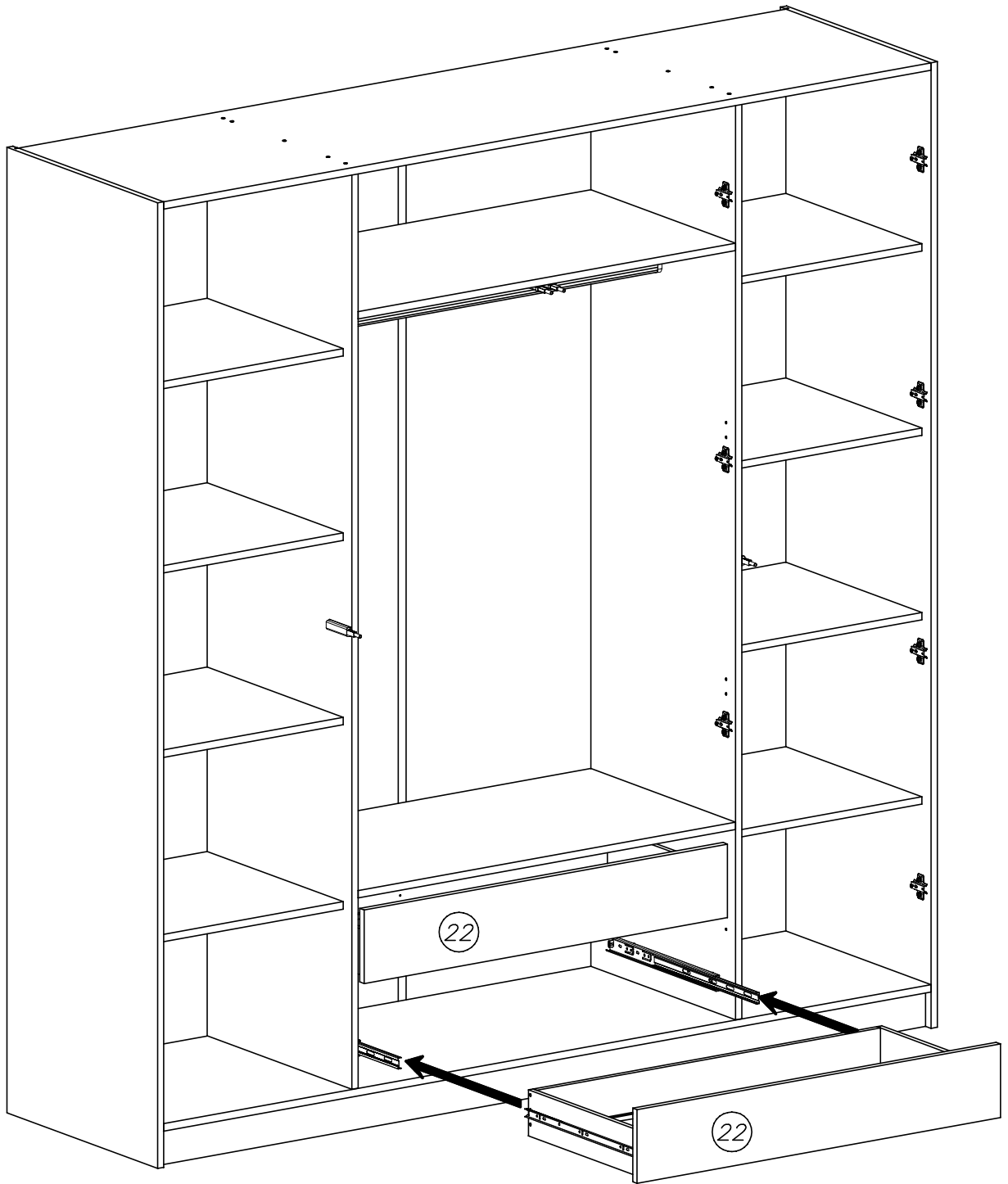
x2



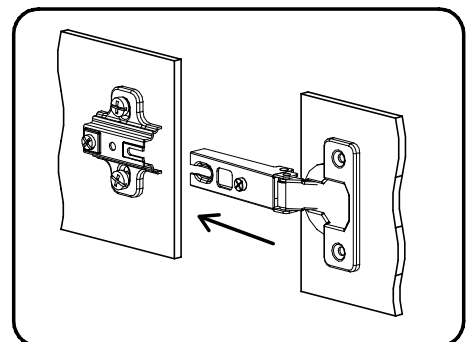
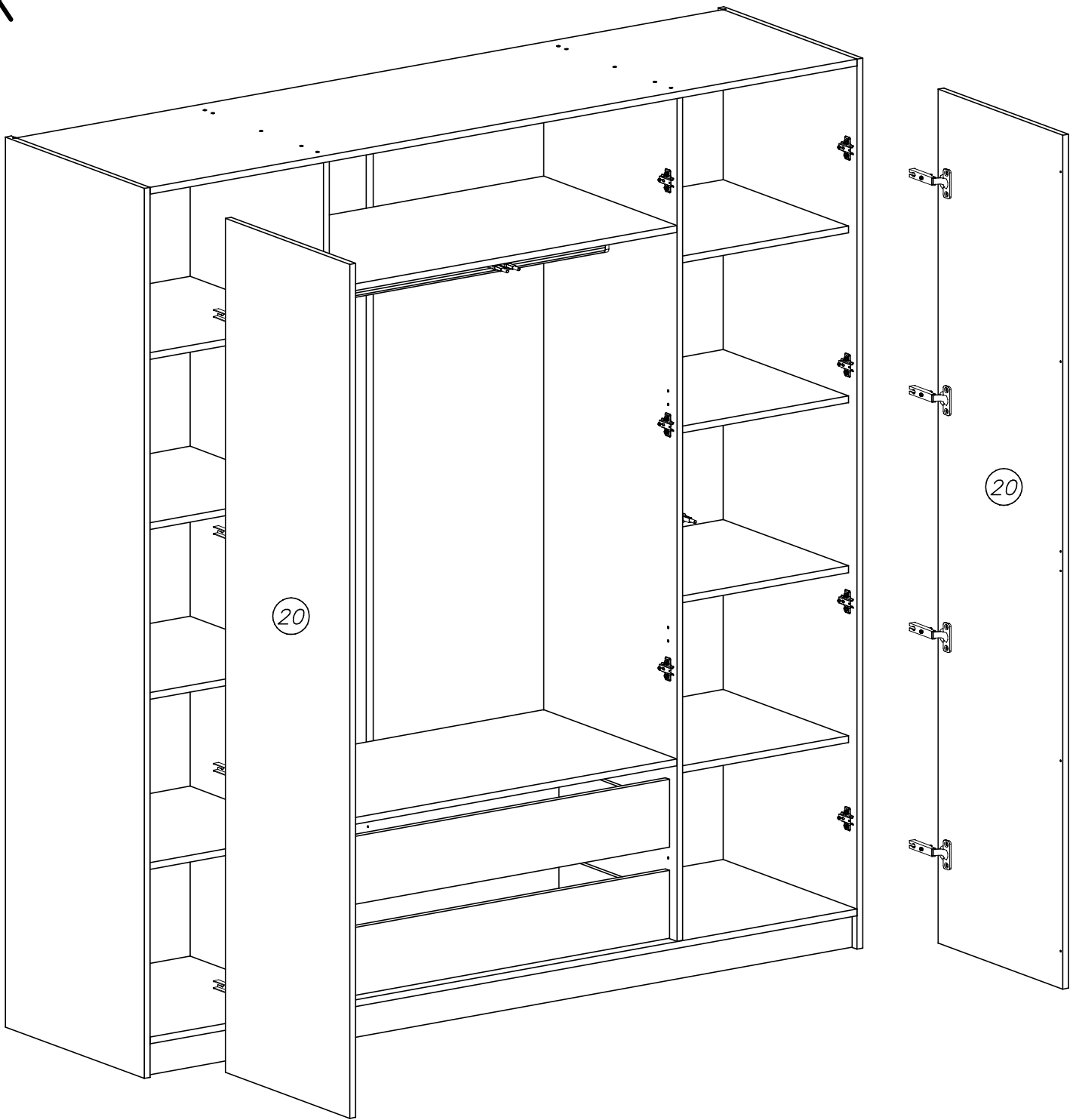
x2



IX



X



X

