

**MBRO7142E**

71" x 41.5" x 18.75"

Installation: Drop-In

Material: Acrylic

Plumbed Weight: 125 lbs / 57 kg

Soaker Weight: 100 lbs / 45 kg

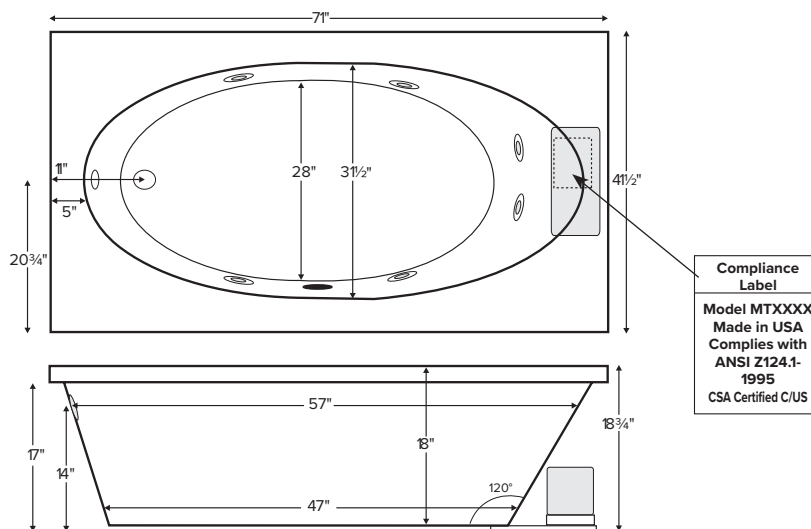
Average Fill: 39 gal to above jet level

Maximum Fill: 67 gal to overflow



Package	Package Content	Part #
Soaker	Soaking bath - No jets. Includes textured bottom.	<b>MBSRO7142E</b>
Air Bath	12 air jets, heated air blower, pre-leveled foam base and textured bottom. <i>pre-leveled foam base increases overall tub height 2"-3"</i>	<b>MBARO7142E</b>
Whirlpool	6 point-massage jets, 1-bhp pump and textured bottom	<b>MBWRO7142E</b>

Shown with Whirlpool Package



**Important Ordering and Installation Information**

- Before ordering or installing, consider access to equipment.
- Always measure tub on-site before building tub deck.
- Use proper bedding compound to fully level and support the tub.
- Tubs equipped with an air system or factory installed pre-leveled foam base are designed to install directly onto a flat level subfloor.
- Tub height is increased up to 3" when equipped with factory-installed foam base.
- Location of all therapy components is predetermined and cannot be changed.
- Options listed cannot be combined with Designer Collection options.

- Before discarding tub crate, check for accessories that may be packaged inside.
- All product measurements are ±1/2".
- Specifications and configurations are subject to change without notice.
- Measurements herein supersede all others published prior to publication date below.

CSA # MTIS-RO7142E  
Effective 030121

**Options** *Must be ordered at time of purchase.*

**Standard** White (no charge)  
**Color Upgrade:** Biscuit (MTISCOLOR)

**Quick Ship / Priority**  
Soaker & Whirlpool (QSHIPMTIS)  
Airbath (QSHIPMTISA)

**Inline Heater**  
For Whirlpool (HTRMTIS) uses existing pump  
For Soaker & Air Bath (MBHTISOAK) heater with recirculating pump

**Accessories.**

**Lift and Turn Drain & Overflow**  
Chrome (MBWOC), White (MWOW),  
Brushed Nickel (MBWOBN)

**Pillows**  
Soft Pillow  
White (MBPSW) Black (MBPSB)  
Roll-Up Pillow  
Light Aqua (MBPRUC) Black (MBRUB)

**Installation Options.** *Must be ordered at time of purchase.*

**Tile Flange**  
Factory-Installed rigid ABS  
3 sides (MBTFK3), 2 sides (MBTFK2),  
1 side (MBTFK1)  
*Must specify flange location(s) on order.*

**Pre-Leveled Foam Base**  
5' Tubs (MBPLFOAM)  
5.5' & 6' Tubs (MBPLFOAM2)  
*All airbaths include a pre-leveled foam base.*

**Pre-Leveled Foam Base**  
5' Tubs (MBPLFOAM)  
5.5' & 6' Tubs (MBPLFOAM2)  
*All airbaths include a pre-leveled foam base.*

**Pre-Leveled Frame and Foam Base with Skirting**  
Raised Fixed Panel  
5' Tubs (MBFSKAO5), 5.5' Tubs (MBFSKAO55),  
6' Tubs (MBFSKAO6)  
Raised Removable Panels  
5' Tubs (MBFSKAR5), 5.5' Tubs (MBFSKAR55),  
6' Tubs (MBFSKAR6)

Hydrotherapy Package	Components Included	GFCI / 110V
Soaker with Optional Inline Heater	½-bhp pump, inline heater	1-15 amp
Whirlpool or Air Bath	1-bhp pump	1-15 amp
Whirlpool with Optional Inline Heater	1-bhp pump, inline heater	1-20 amp
Air Bath with Optional Inline Heater	heated blower, ½-bhp pump, inline heater	2-15 amp

CSA Certified C/US; ANSI Z124.1 and ANSI 112.19.7

**NOTE:** *Filling this tub to the maximum may require an above average size or dedicated water heater.*

