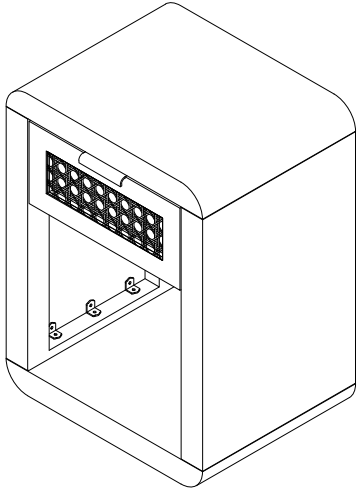
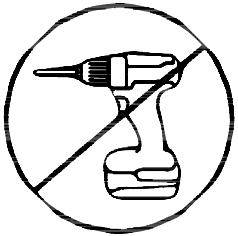


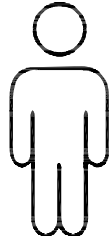
ASSEMBLY INSTRUCTIONS



+ Do Not Use Power Tools



+ Suggested Adults



NOTE:

- 1 Read instructions cover to cover.
- 2 Save all packaging until assembly is completed

1 IMPORTANT SAFETY INFORMATION

Do not assemble the product if any of the following parts arrived damaged:

Part# Night Stand X1pc

Part#

Part#

Do not assemble if any of the following parts are missing:

Part# A Handle(For two color) X2pcs

Part# B Screw Handle Ø3.5"x15mm X2pcs

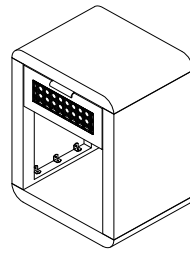
Part#

2 IMPORTANT ASSEMBLY INFORMATION

Assembly Step If loosening persists, please make sure to tighten all the bolts periodically, or use a thread locker adhesive.

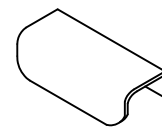
+ Parts Included

- ① Night Stand
X1pc



+ Hardware Included

- A Handle(For two color)
X2pcs

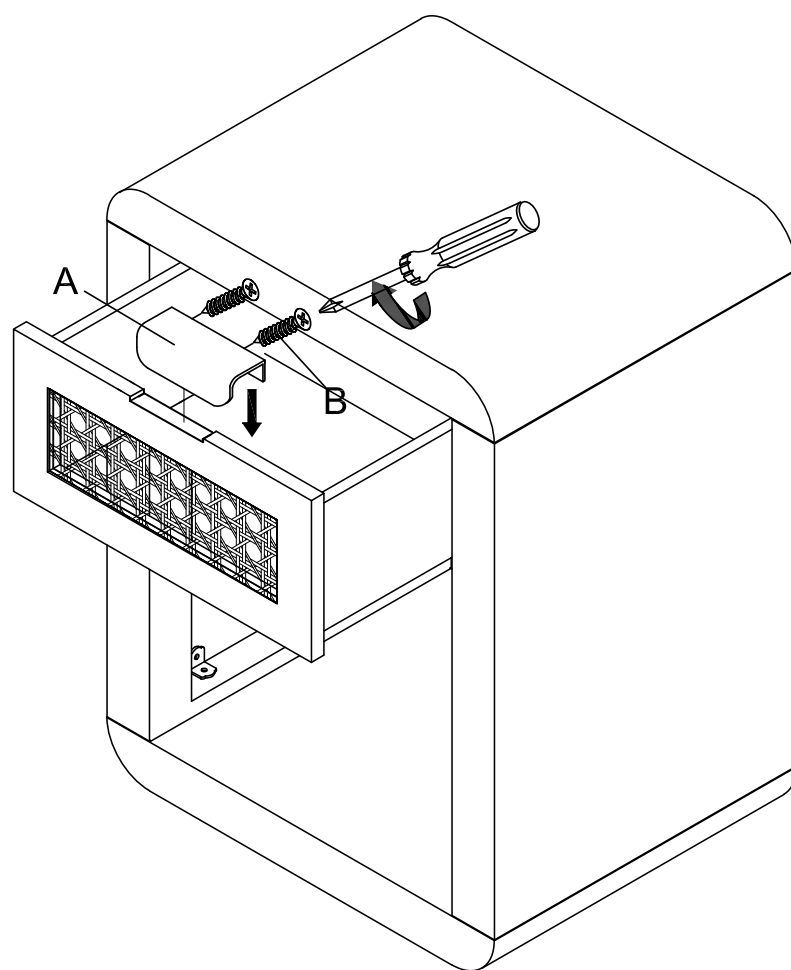


- B Screw Handle
Ø3.5"x15mm
X2pcs



ASSEMBLY INSTRUCTIONS

①



②

