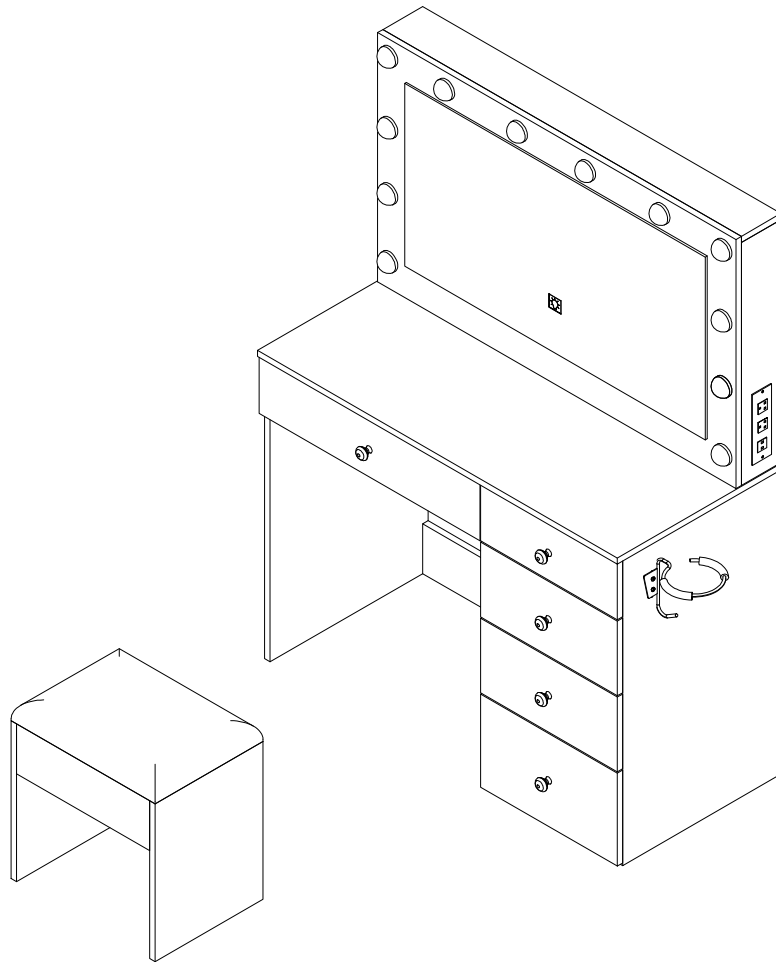


# boahaus

## ASSEMBLY INSTRUCTIONS



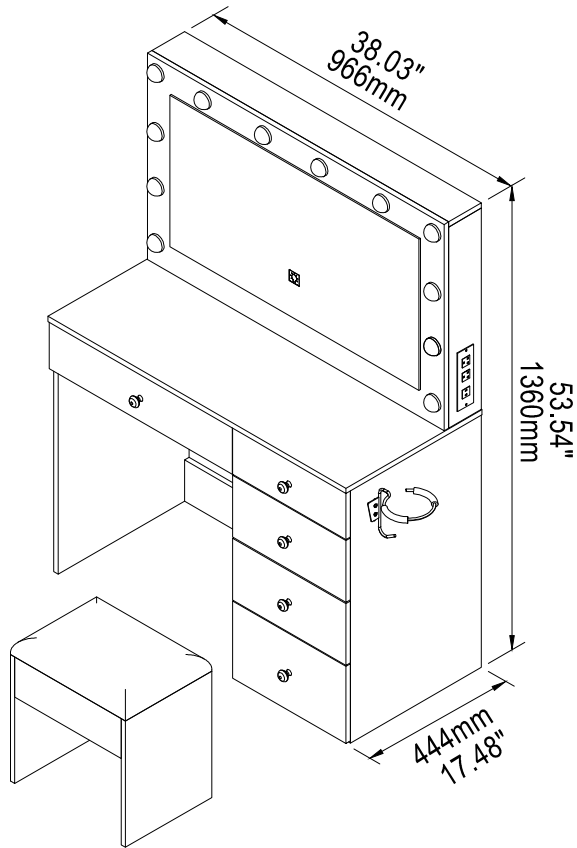
**MODEL #: HFUBEDVAN00124**

Approx.product weight 91.49LBS./41.5KG.\*

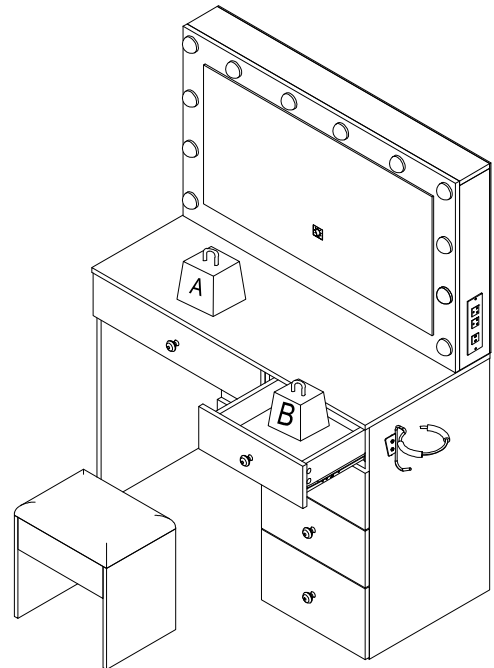
THIS INFORMATION BOOKLET CONTAINS IMPORTANT SAFETY INFORMATION. PLEASE READ AND KEEP FOR FUTURE REFERENCE.

Need some Help? Call +1 281-809-4043 or email [contact@boahaus.com](mailto:contact@boahaus.com)

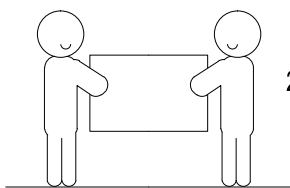
## General Dimensions



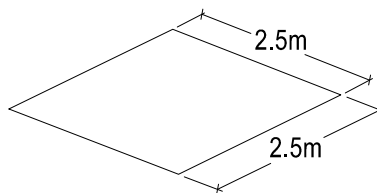
## Maximum weight supported



	KG	LB
A	20	44
B	3	6.6



2 People



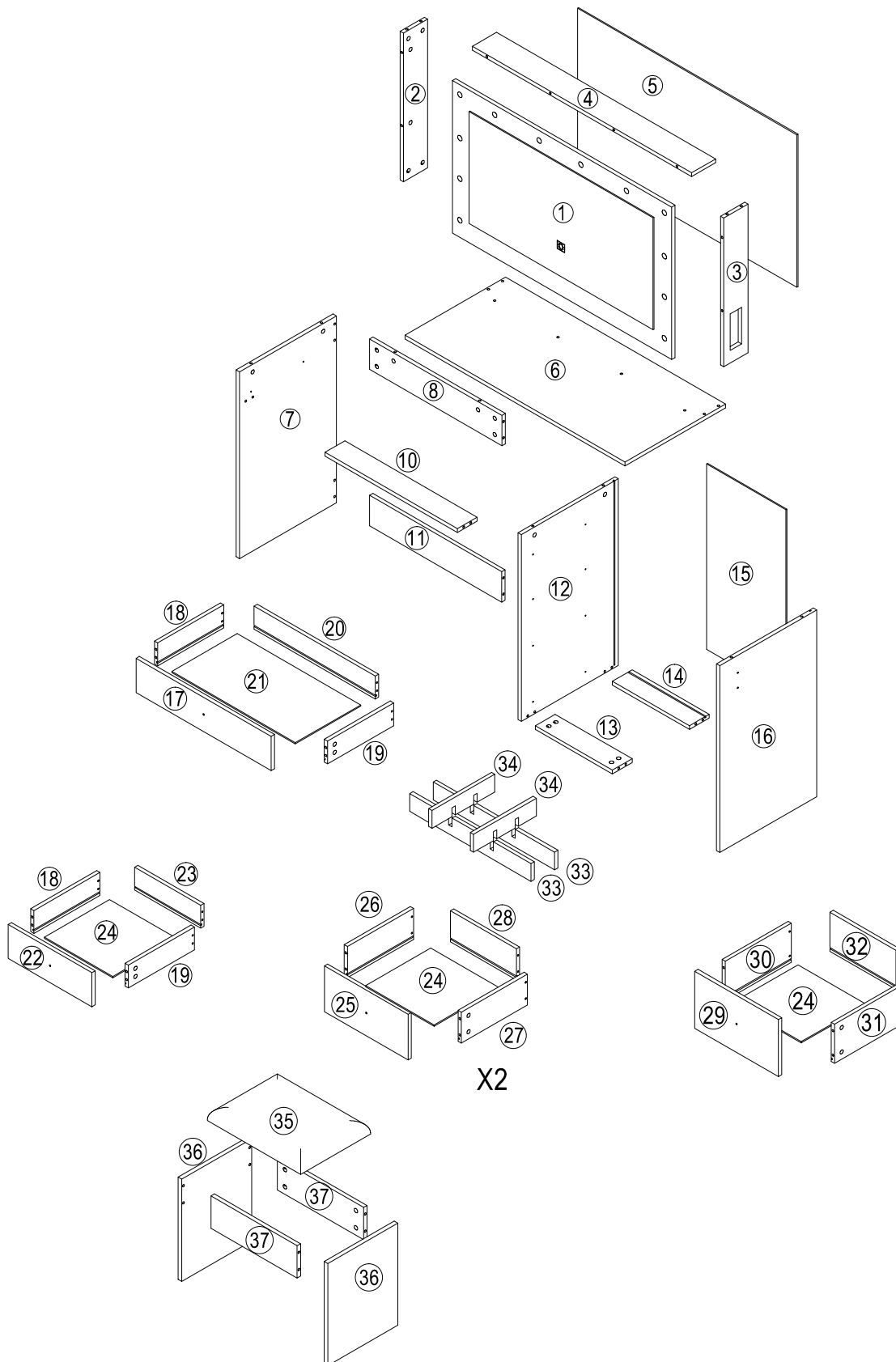
Recommended space  
for assemble

Note: Place a carpet or blanket in the assembly area to avoid damage to the parts during the process.



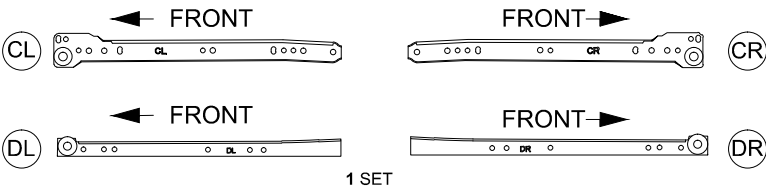



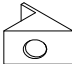

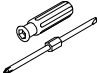





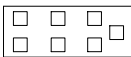

PARTS IDENTIFICATION
----------------------

NO.		QTY.
1	Mirror	1
2	Left side tray	1
3	Right side tray	1
4	Top tray	1
5	Mirror backboard	1
6	Top base	1
7	Left side	1
8	Left backboard	1
10	Middle layer	1
11	Bottom footer	1
12	Middle board	1
13	Bottom (front)	1
14	Bottom (back)	1
15	Right backboard	1
16	Right side	1
17	Front of left drawer	1
18	Left side of small drawer	2
19	Right side of small drawer	2
20	Rear of left drawer	1
21	Bottom of left drawer	1
22	Front of right small drawer	1
23	Rear of right small drawer	1
24	Bottom of right drawer	4
25	Front of right middle drawer	2
26	Left side of right middle drawer	2
27	Right side of right middle drawer	2
28	Rear of right middle drawer	2
29	Front of right big drawer	1
30	Left side of right big drawer	1
31	Right side of right big drawer	1
32	Rear of right mibig drawer	1
33	Horizontal drawer division	2
34	Vertical drawer division	2
35	Stool cushion	1
36	Stool side	2
37	Stool horizontal	2

Note: 6 and 9 are easily mis-distinguished. Therefore, No.9 is skipped.

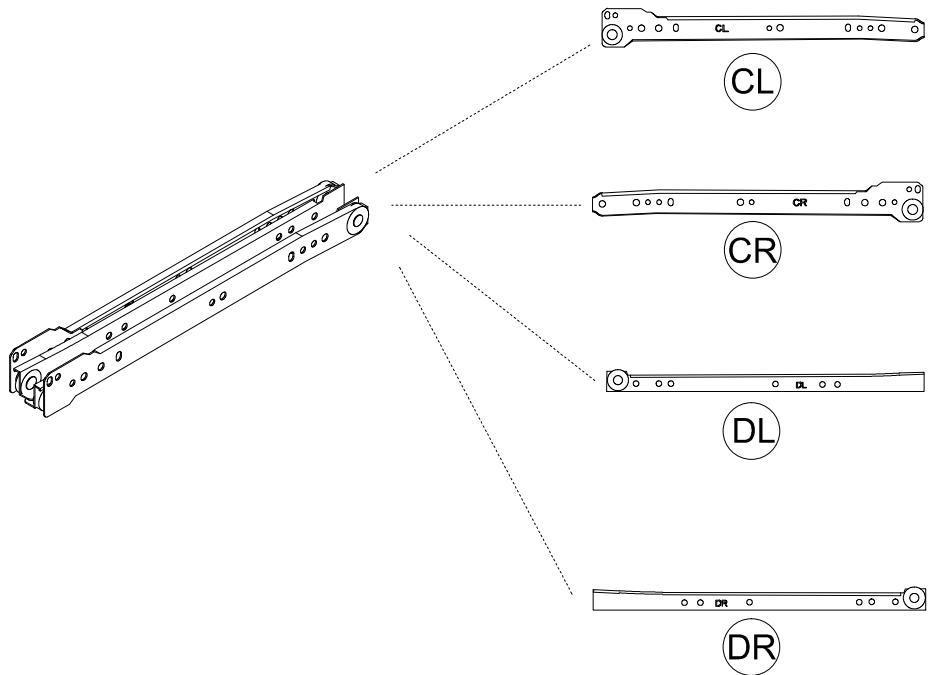


IDENTIFICATION OF ACCESSORIES

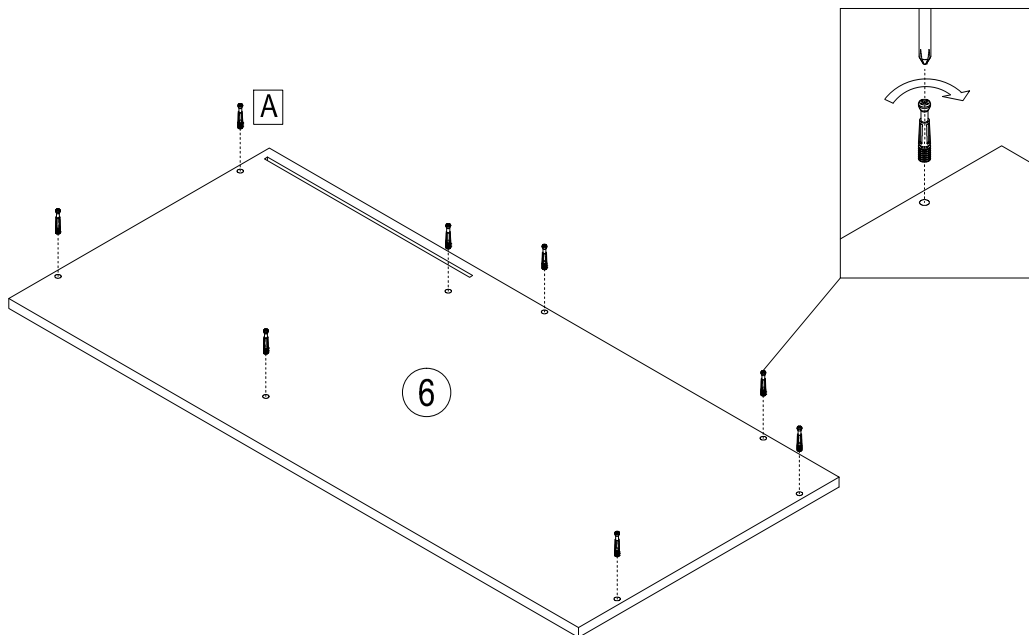
CODE		DESCRIPTION	QTY.
A		Cam lock	76
B		Drum lock	76
C		Drawer Slide	5
D		Knob with screw ( M4*18mm)	5
E		Flat head screw (5*38mm)	20
F		Flat head screw (5*12mm)	76
G		Back panel buckle	8
H		Plastic foot	6
I		Screw driver	1
J		Hair dryer holder	1
K		Anti-tip kit	2
L		Outlet	1
M		Lamp	12
N		Adapter	1
O		Hub	2
P		Corner brace connection	4

ASSEMBLY

1. Divide the slides into CL,CR and DL,DR

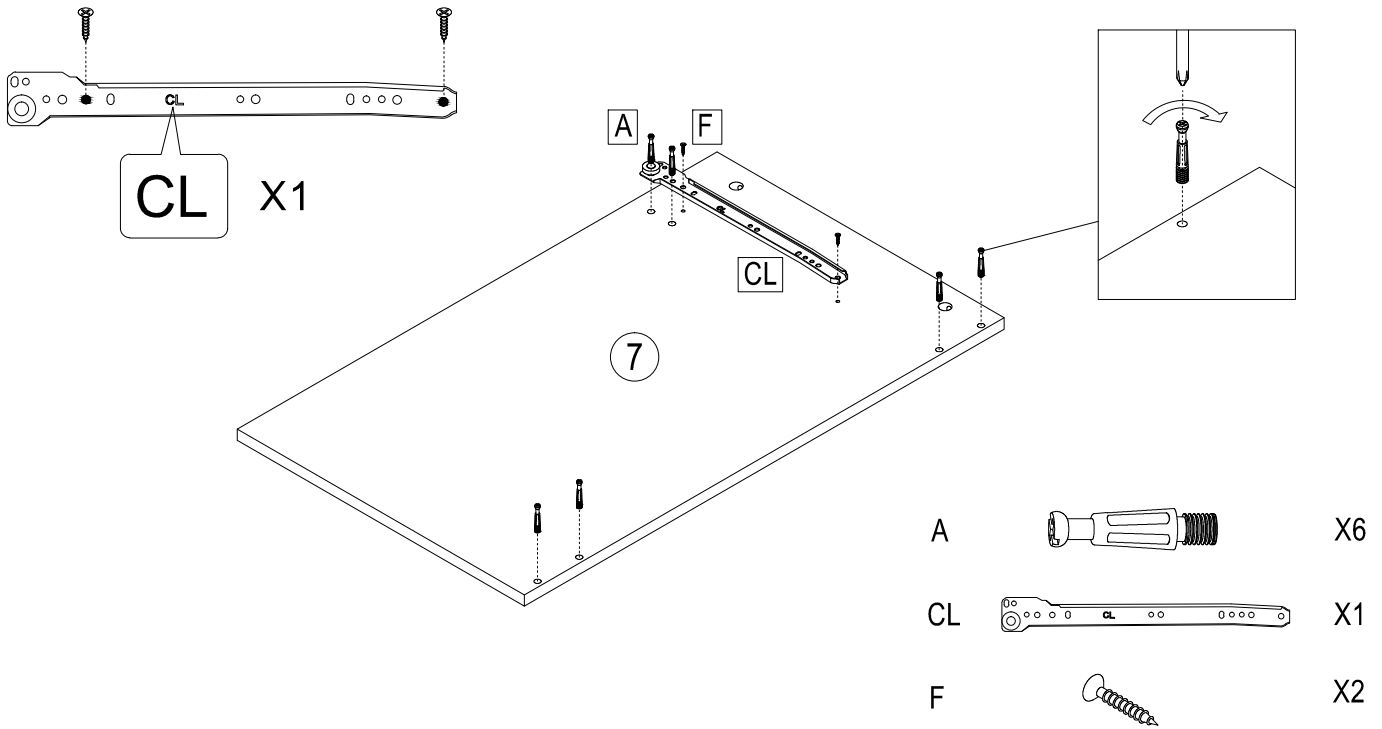


2. Screw A in the top base

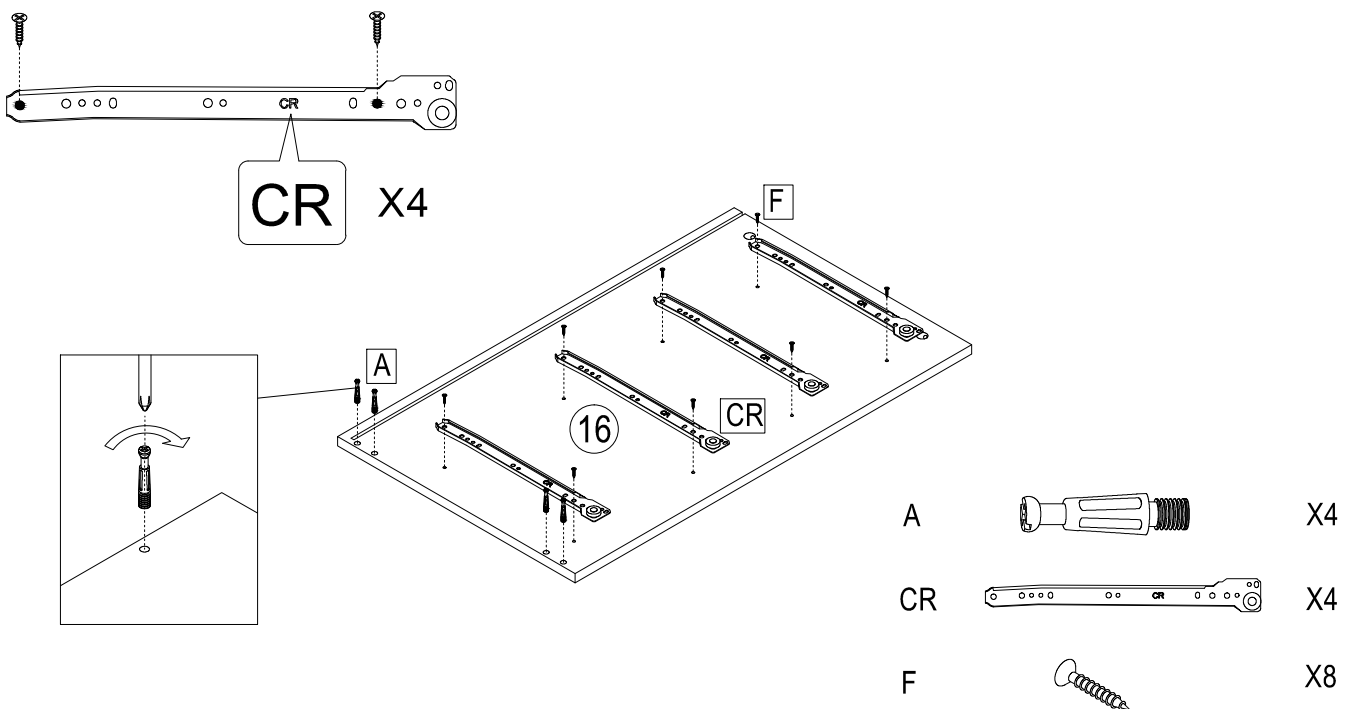


ASSEMBLY

### 3. Assemble the slides and cam lock on the left side board

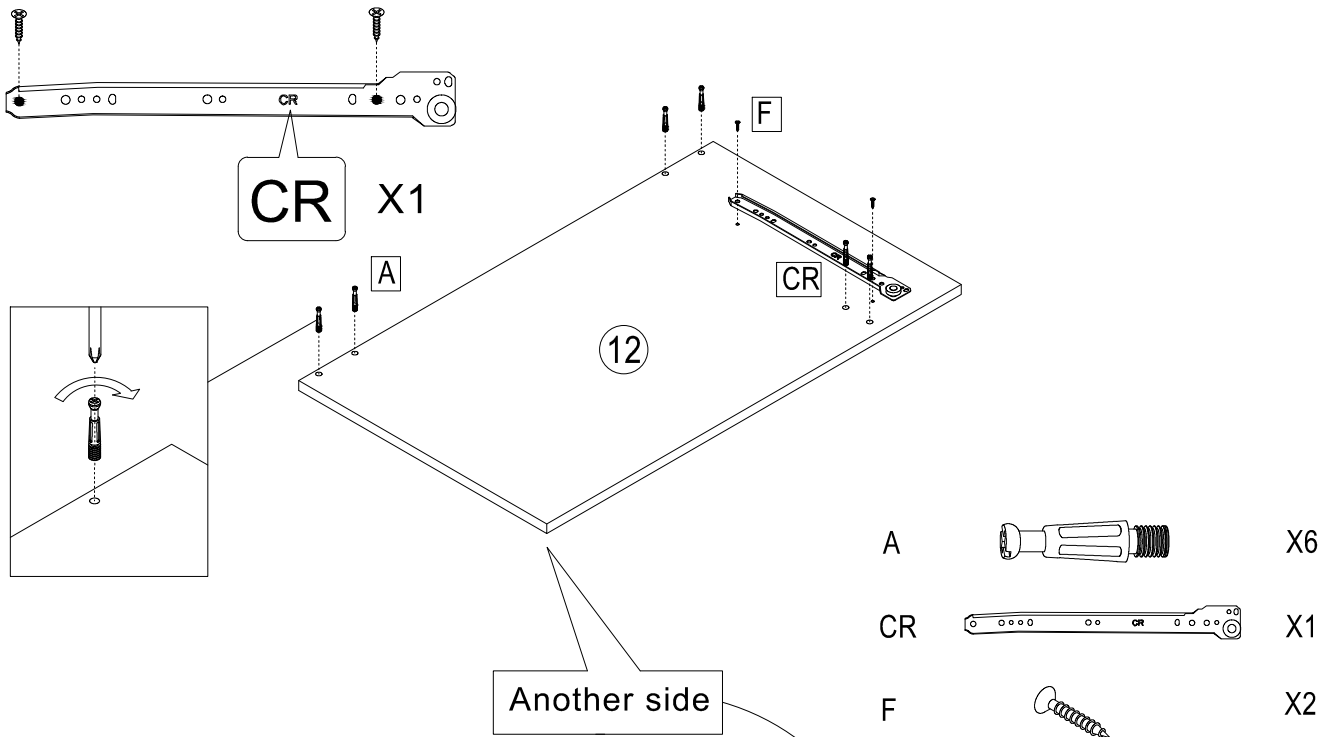


### 4. Assemble the slides and cam lock on the right side board

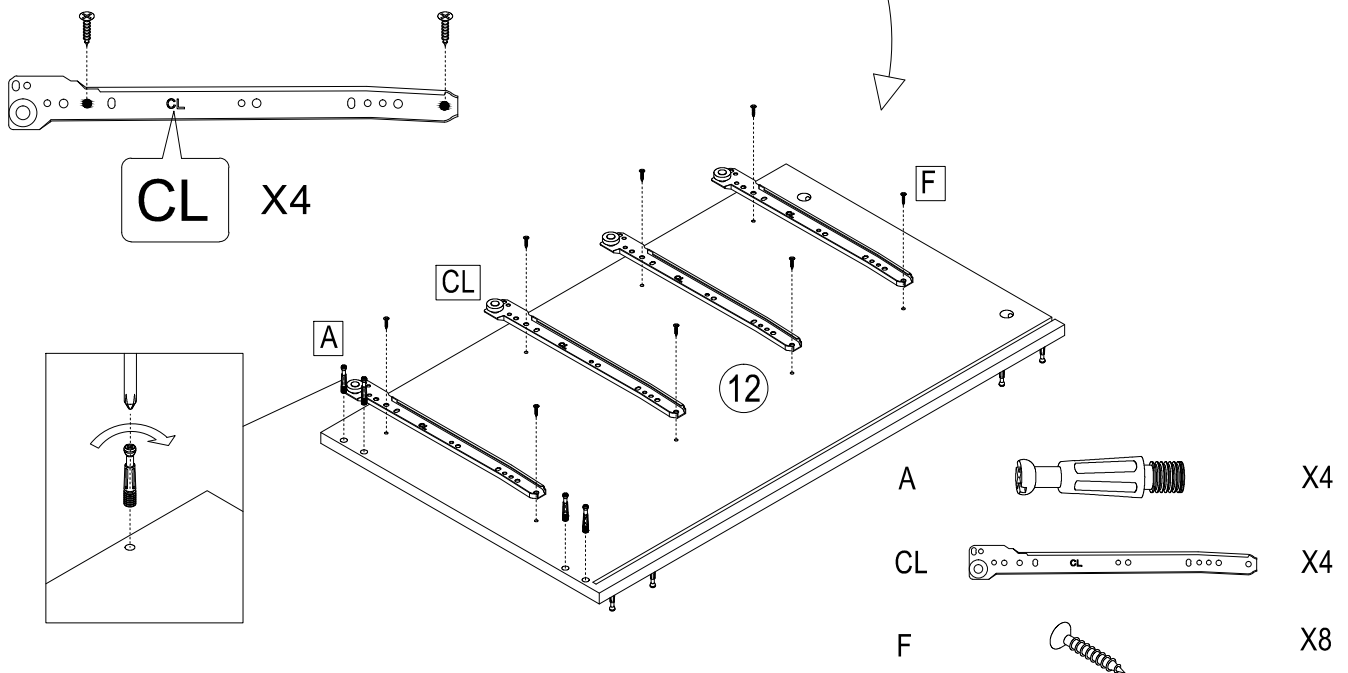


ASSEMBLY

## 5. Assemble the slides and cam lock on the left middle board

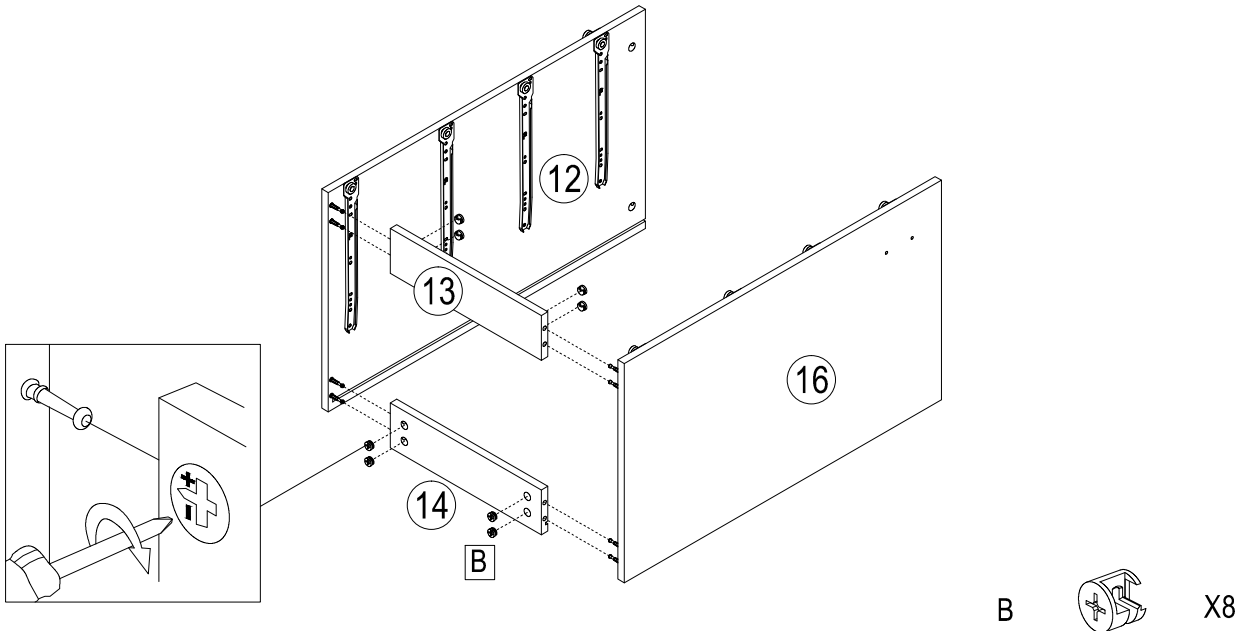


## 6. Assemble the slides and cam lock on the middle board another side

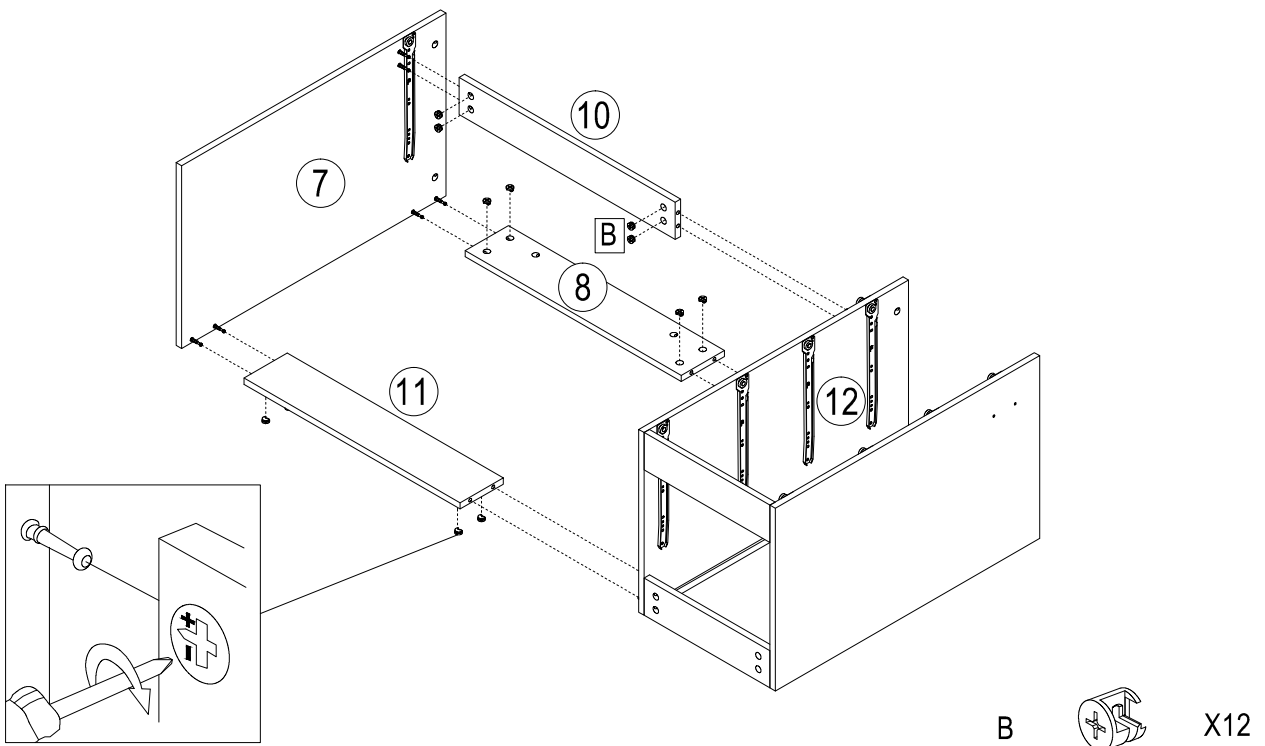


ASSEMBLY

## 7. Assemble the right cabinet

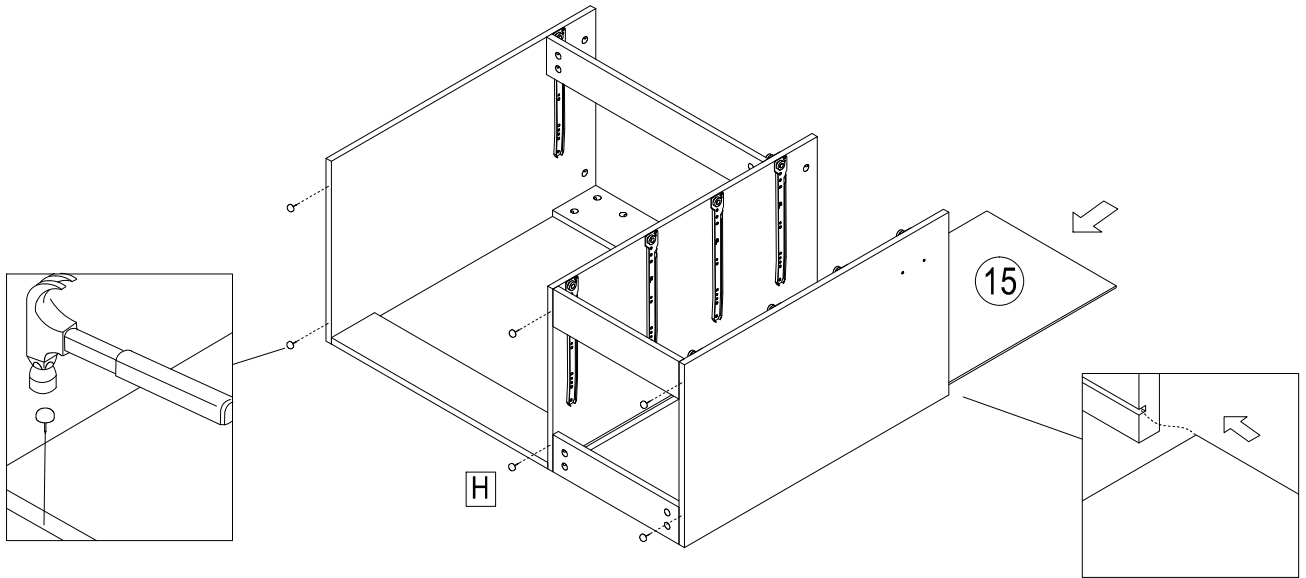


## 8. Assemble the cabinet



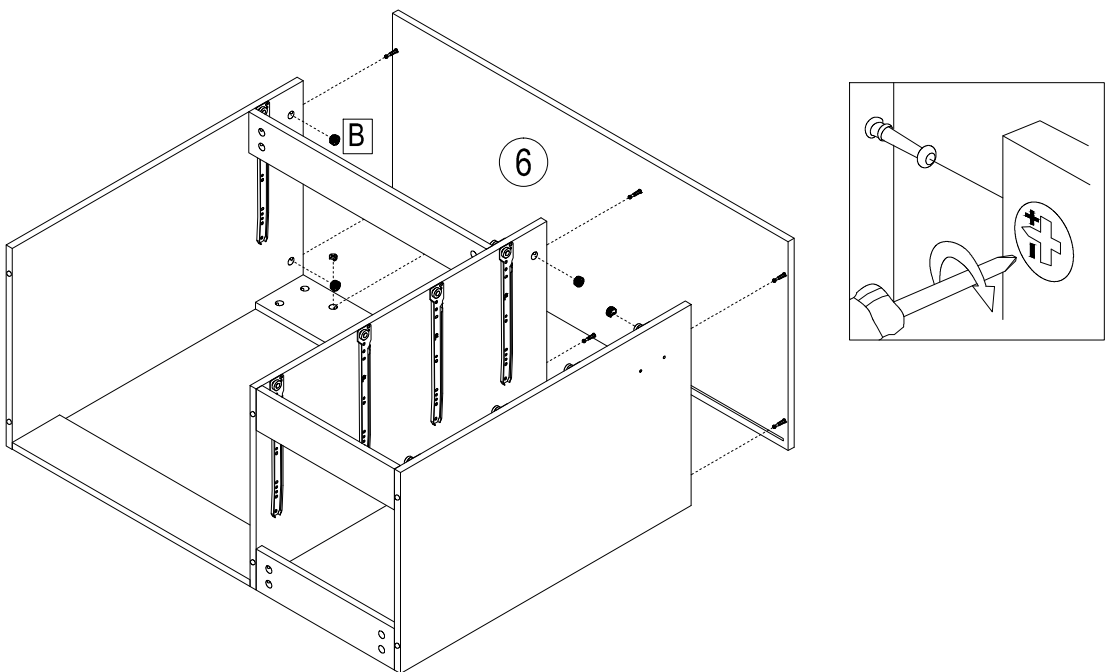
ASSEMBLY

9. Put the backboard in and assemble the plastic foot



H  X6

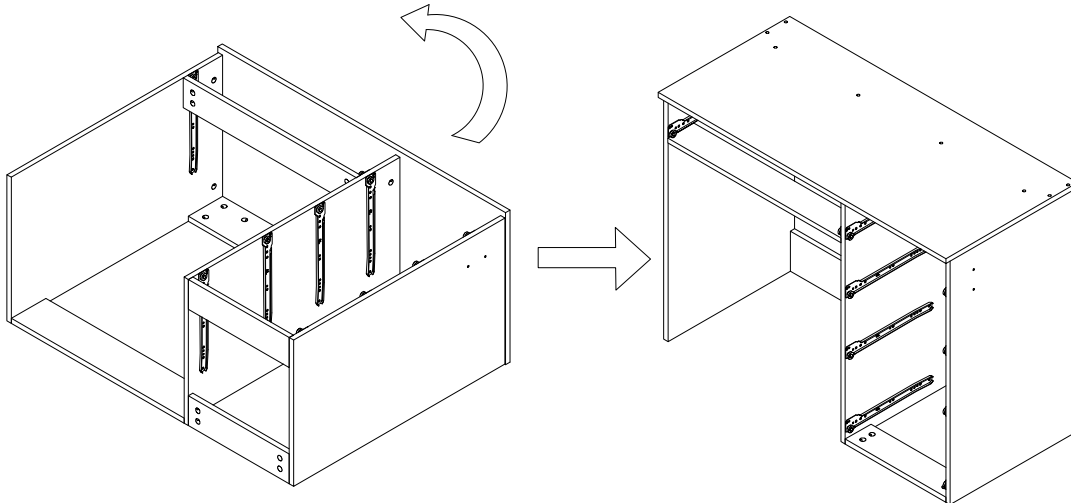
10. Assemble the top base



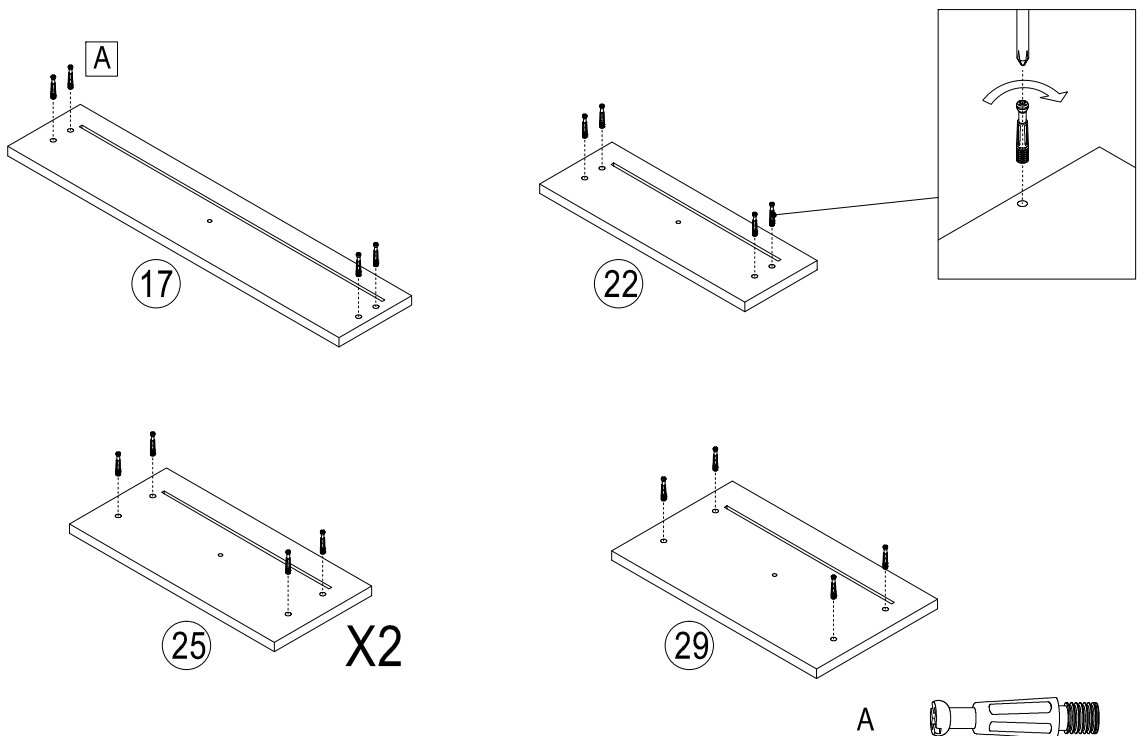
B  X8

ASSEMBLY

## 11. Stand the desk up

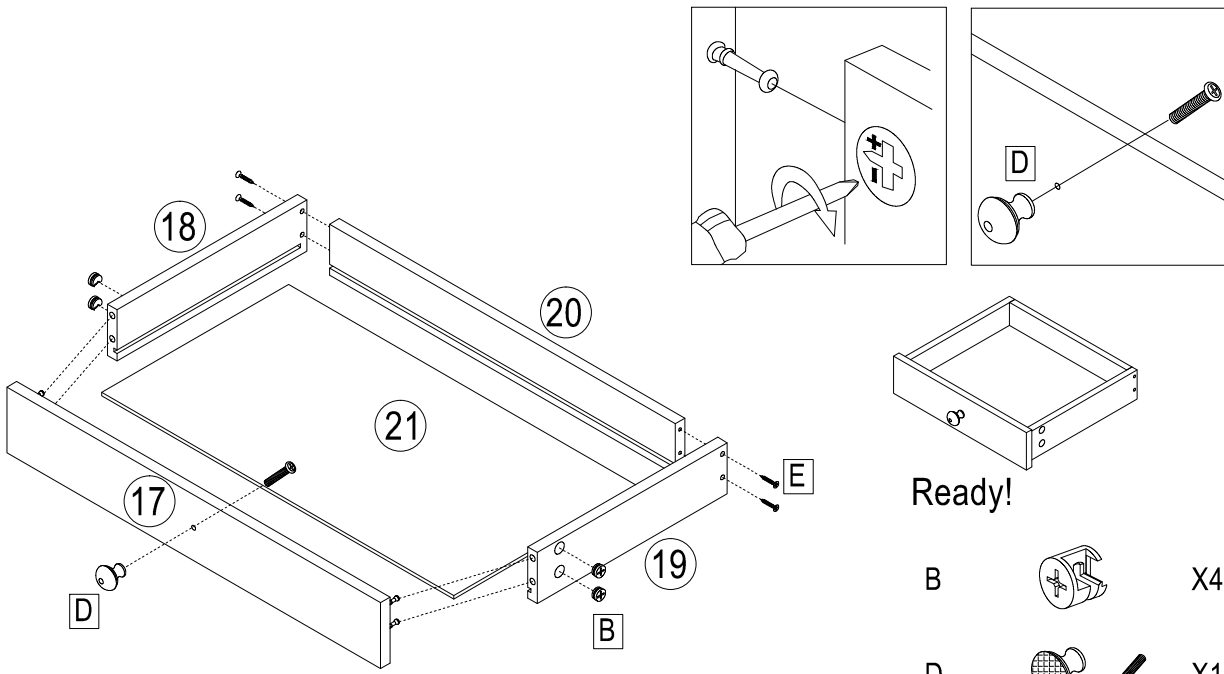


## 12. Screw A in the front boards of drawers







ASSEMBLY

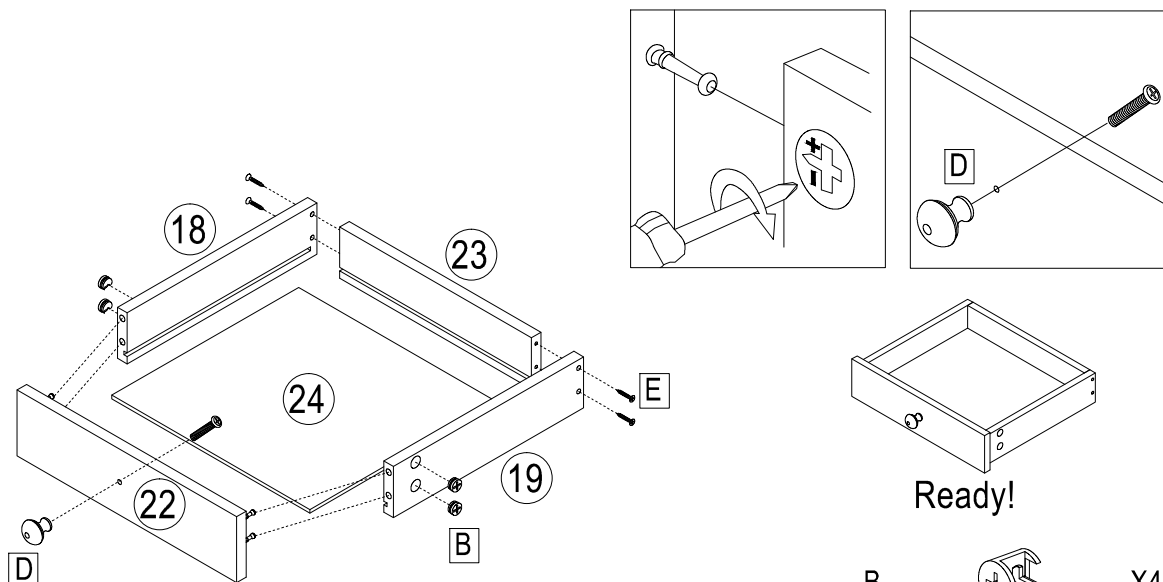
### 13. Assemble the drawer 17







Ready!

- B  X4
- D   X1
- E  X4

### 14. Assemble the drawer 22

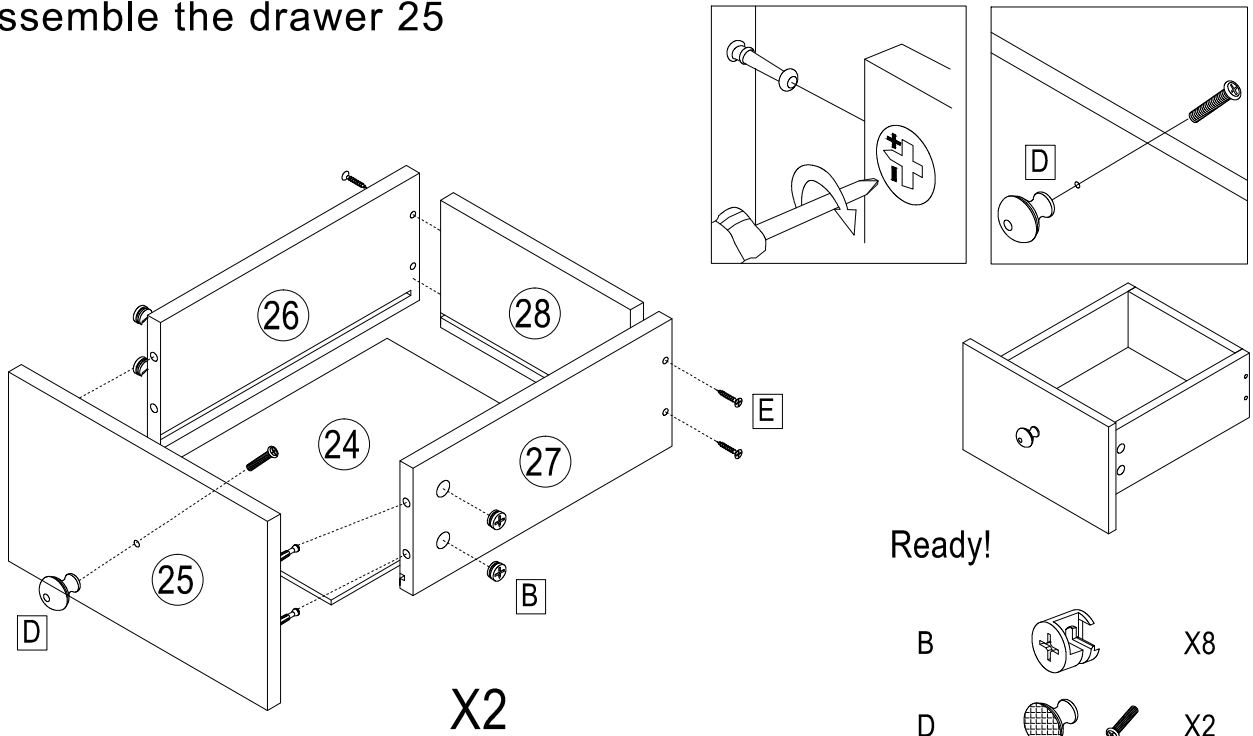


Ready!

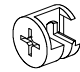



- B  X4
- D   X1
- E  X4

ASSEMBLY

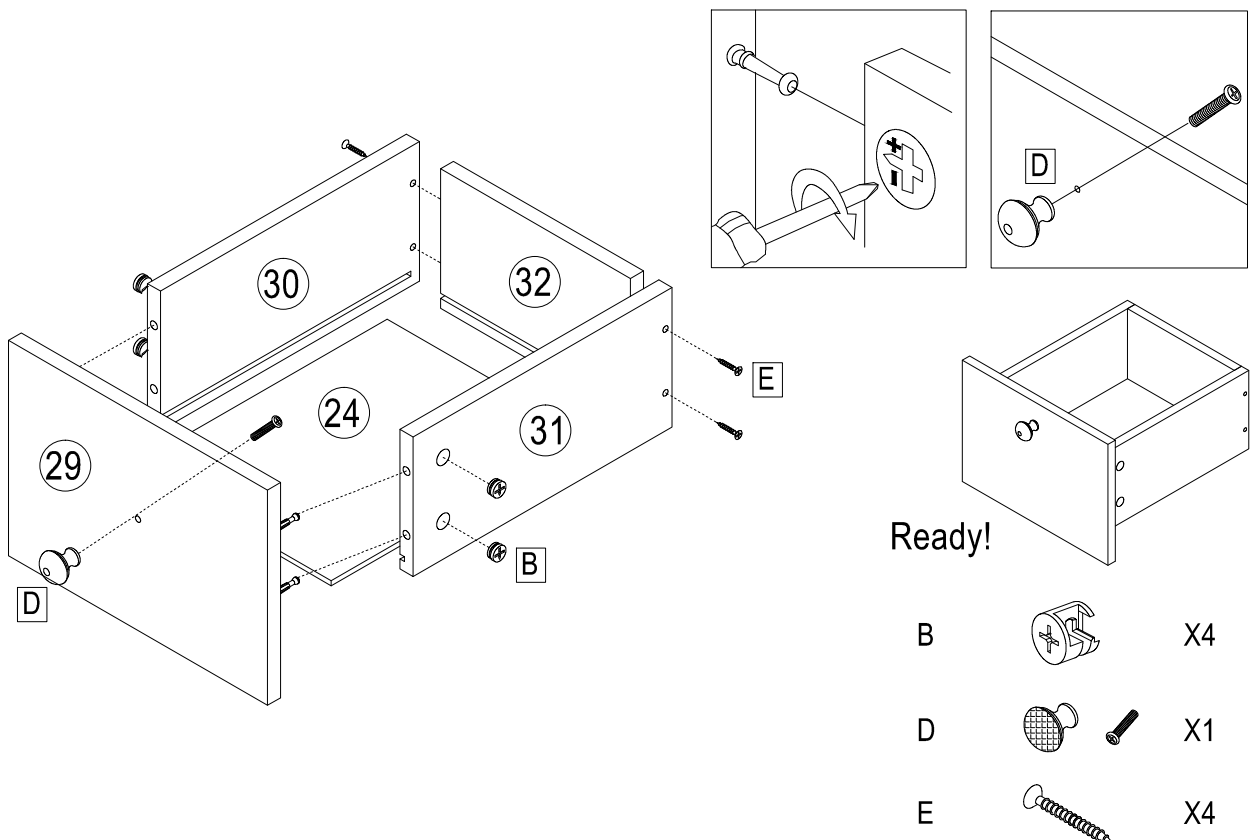
## 15. Assemble the drawer 25



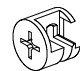



Ready!

- |   |   |    |
|---|---|----|
| B |   | X8 |
| D |   | X2 |
| E |    | X8 |

## 16. Assemble the drawer 29

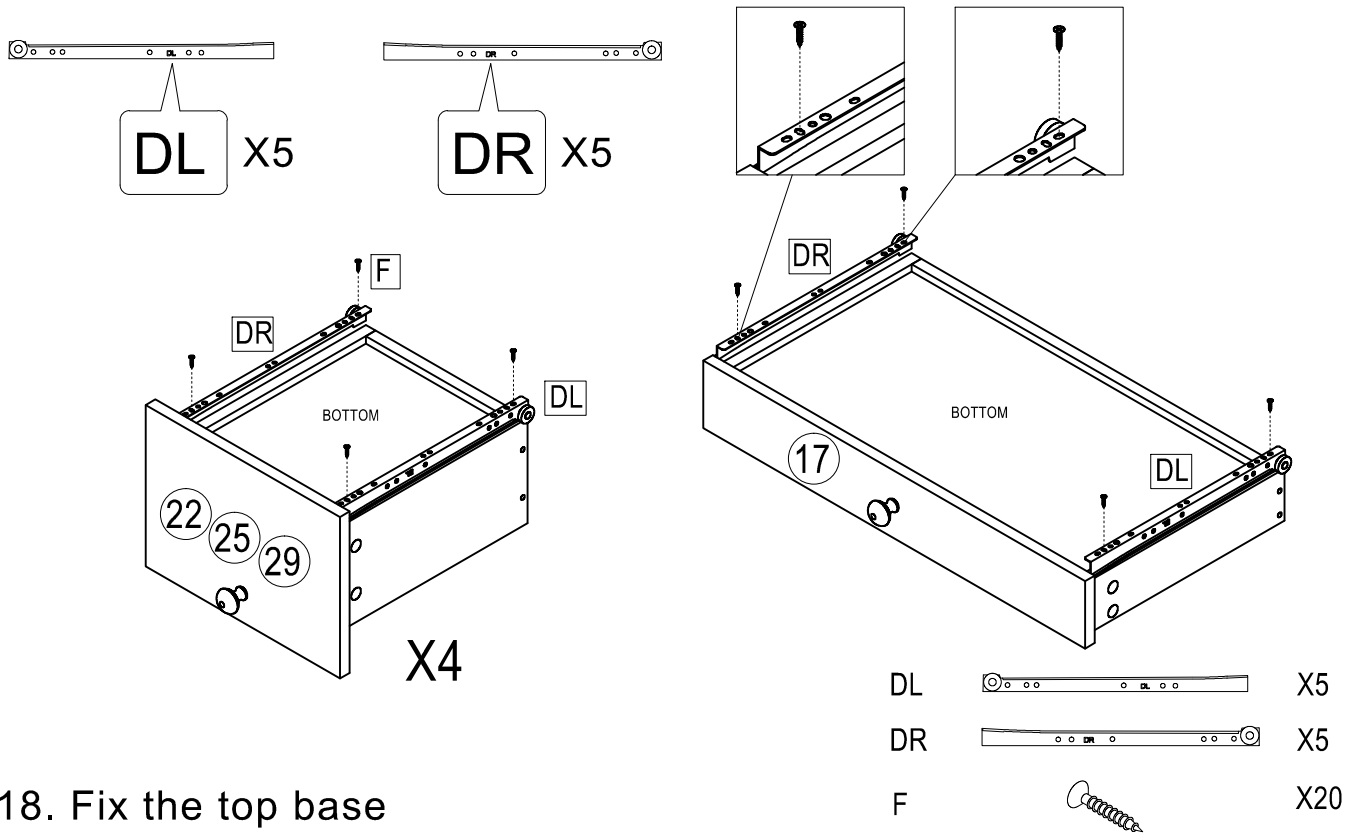


Ready!

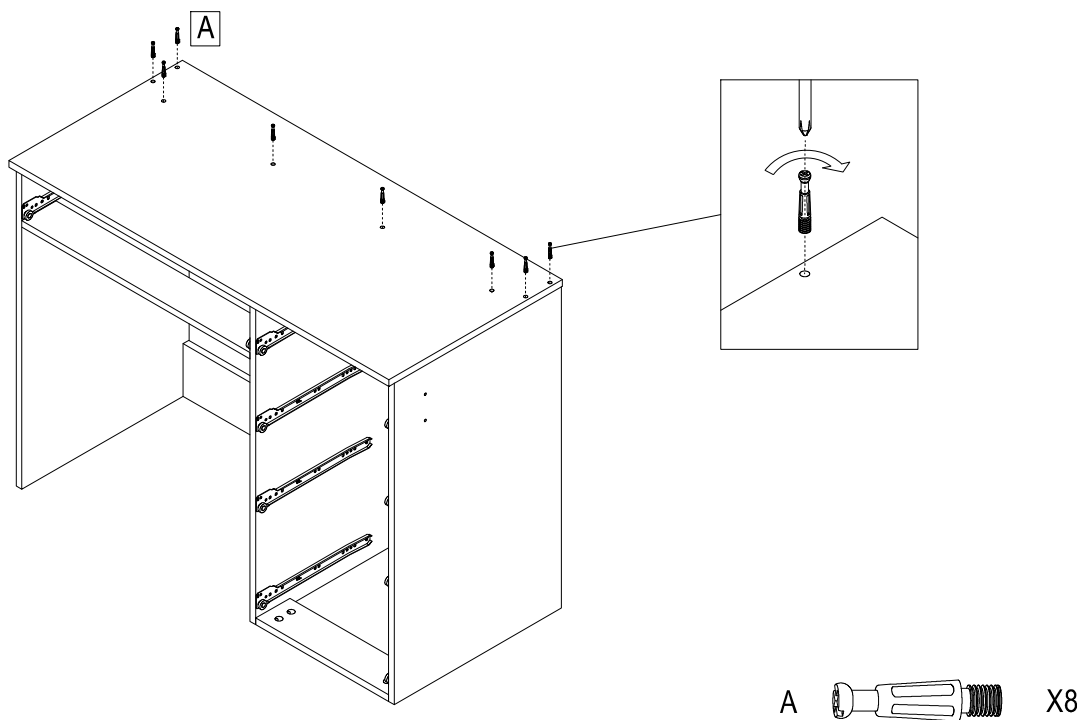
- |   |   |    |
|---|---|----|
| B |    | X4 |
| D |   | X1 |
| E |    | X4 |

ASSEMBLY

## 17. Assemble slides

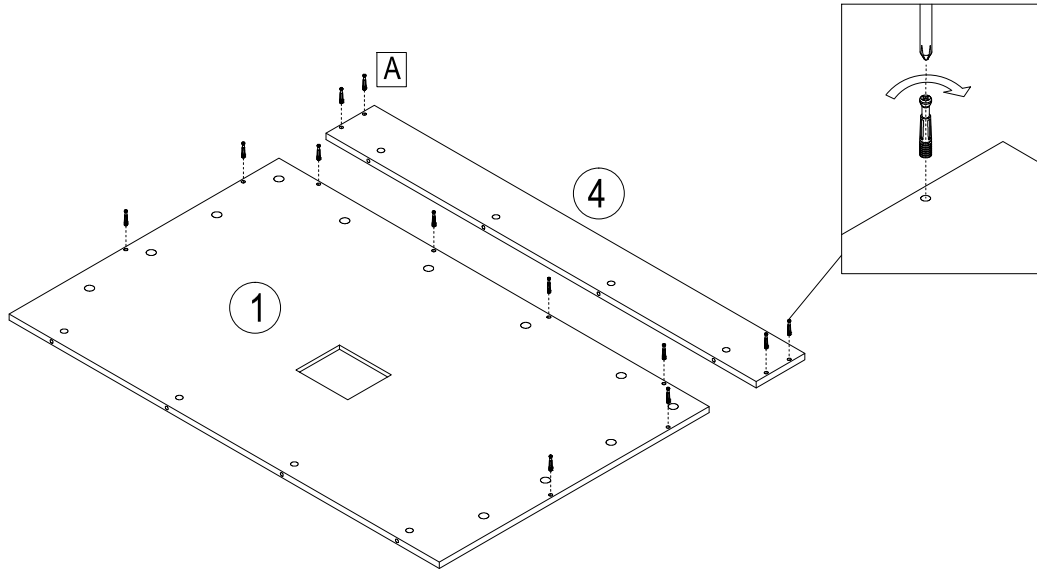


## 18. Fix the top base



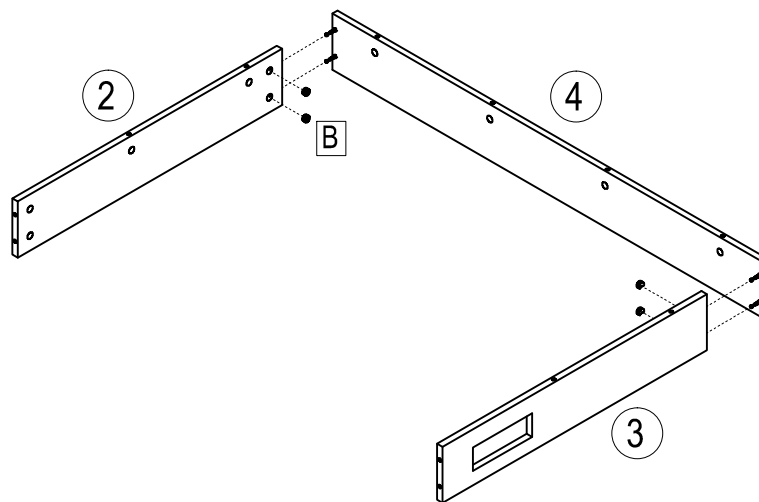
ASSEMBLY

19. Screw A in the mirror and top tray



A  X12

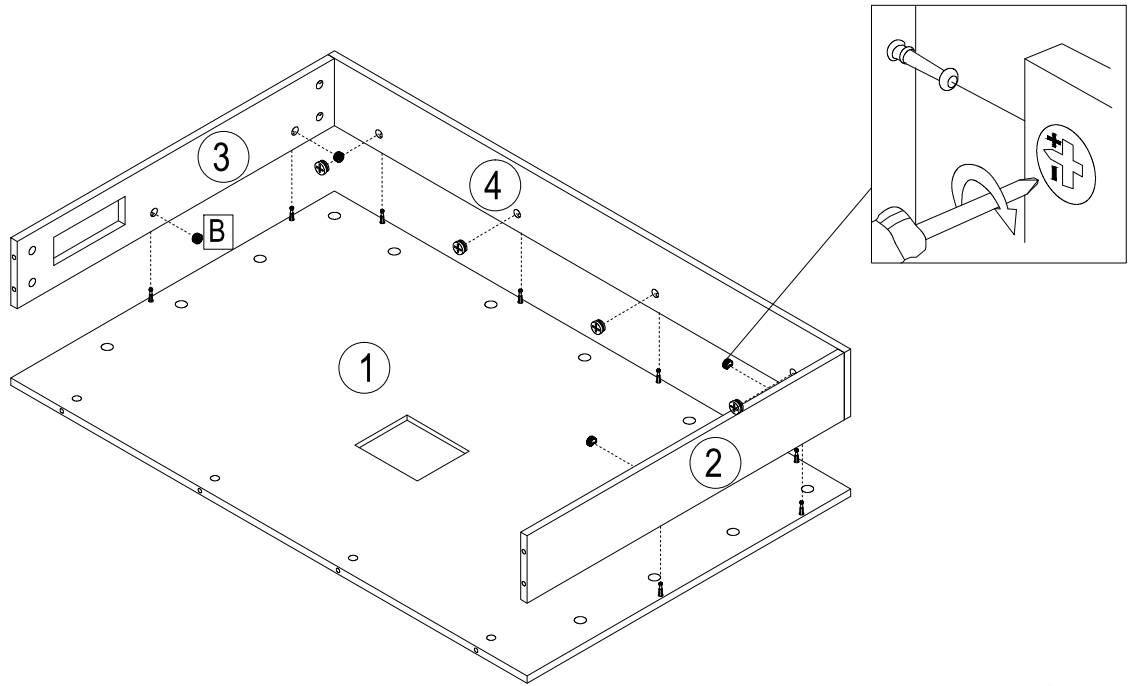
20. Assemble top tray and side tray



B  X4

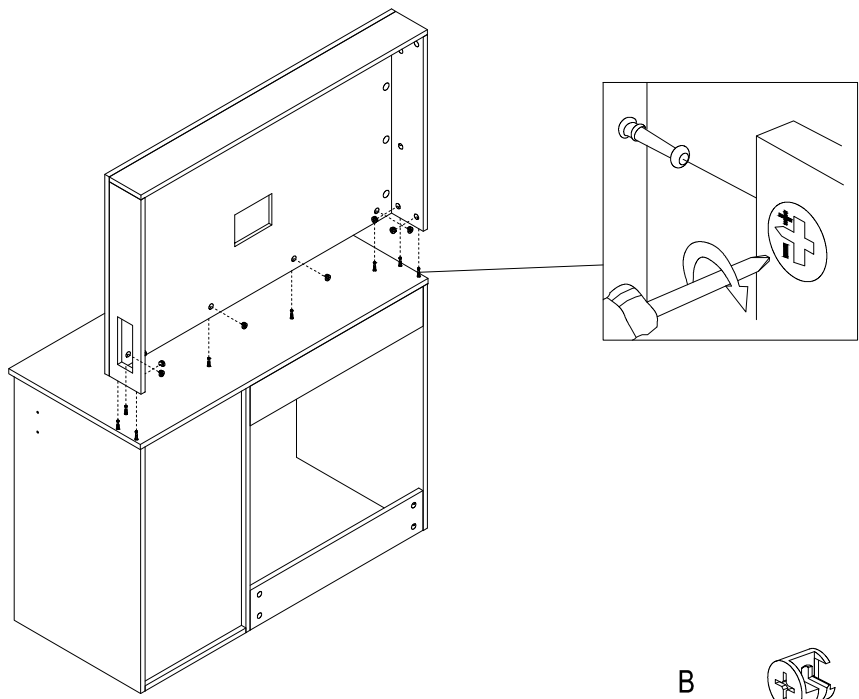
ASSEMBLY

## 21. Assemble the mirror frame



B  X8

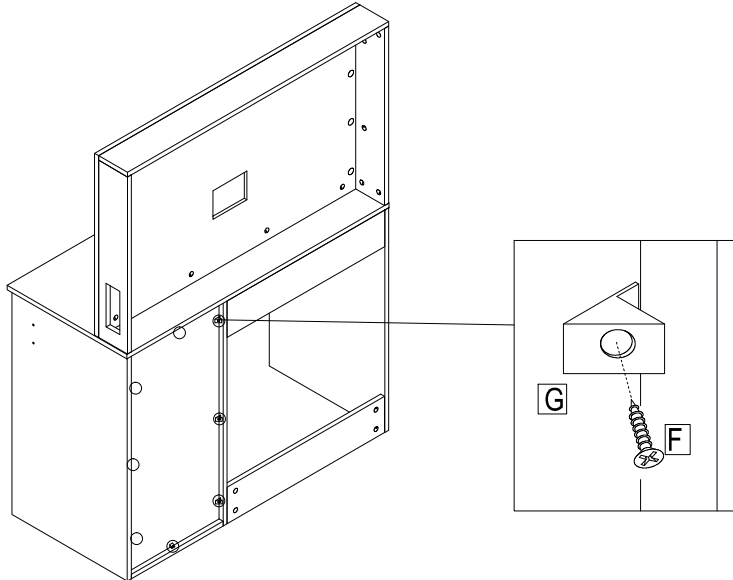
## 22. Assemble the mirror on the desk



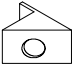

B  X8

ASSEMBLY

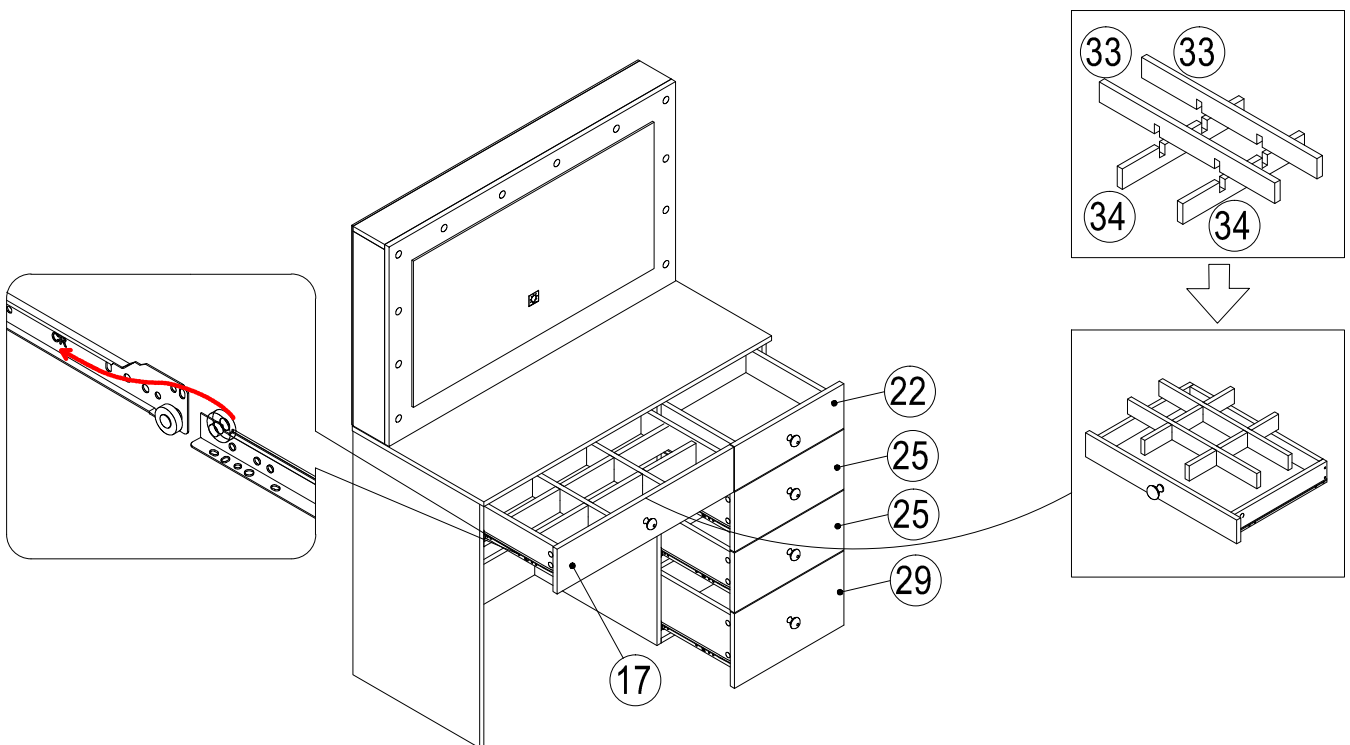
## 23. Fix the backboard buckle



Note: If the gap between both backboards and both side boards is big, this step can be necessary to make the vanity more stable.

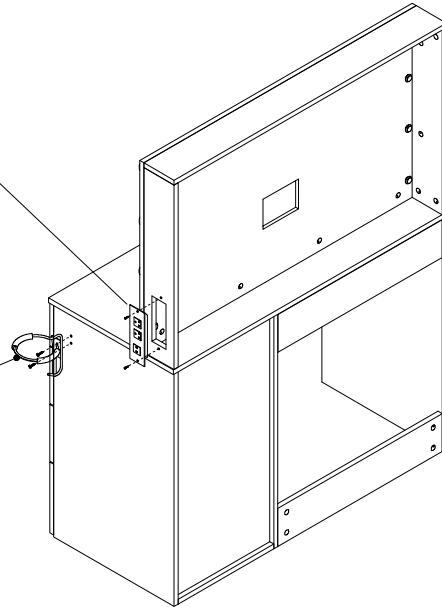
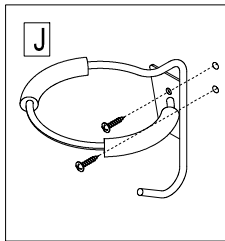
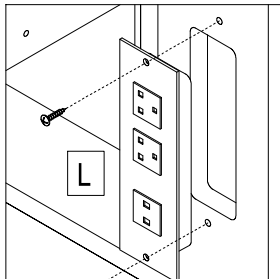
- G  X8
- F  X8


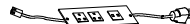
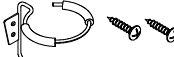
## 24. Put the drawers and the drawer division in



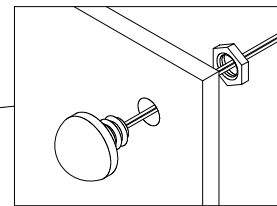
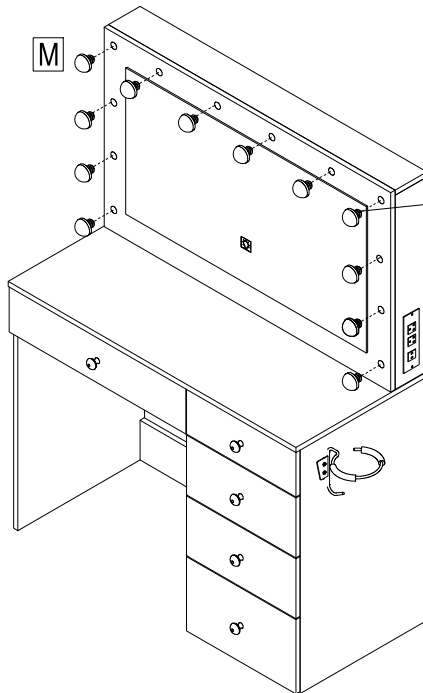
ASSEMBLY

## 25. Assemble outlet and hair dryer holder



- F  X2
- L  X1
- J  X1

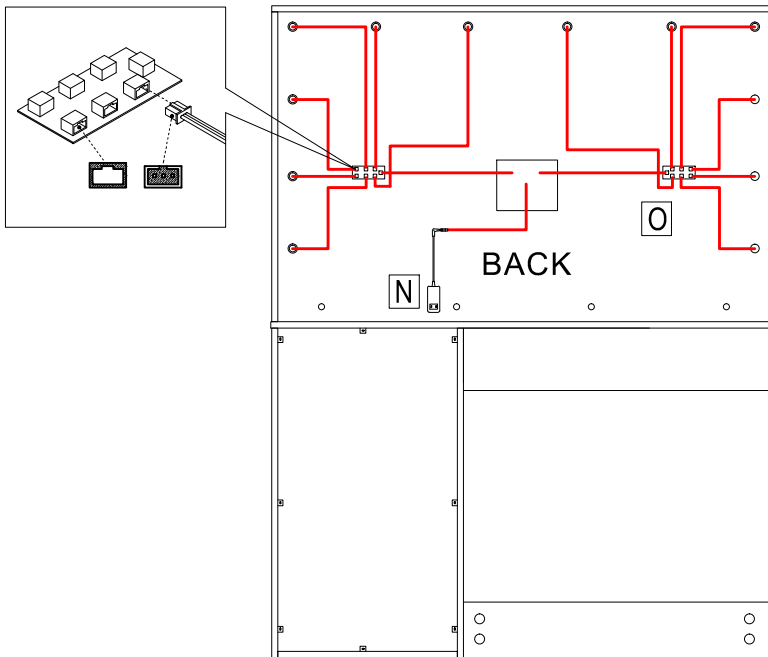
## 26. Fix the lamps



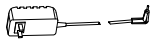

- M  X12

ASSEMBLY

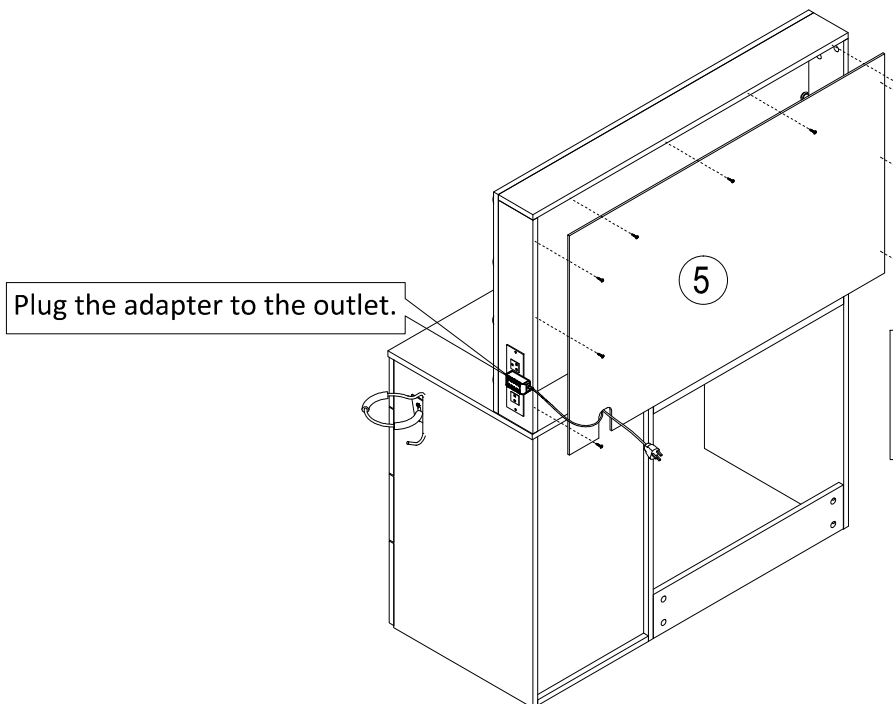
27. Connect the main board to the two hubs and the adapter, and connect the bulb cables to the hubs



Note: Pay attention to the bulb cables length. Some might be longer to reach to the hub. After finish connecting the bulb cables to the hubs, use the hub back self-paste to fix to the backboard.

- N  X1
- O  X2

28. Fix the mirror backboard

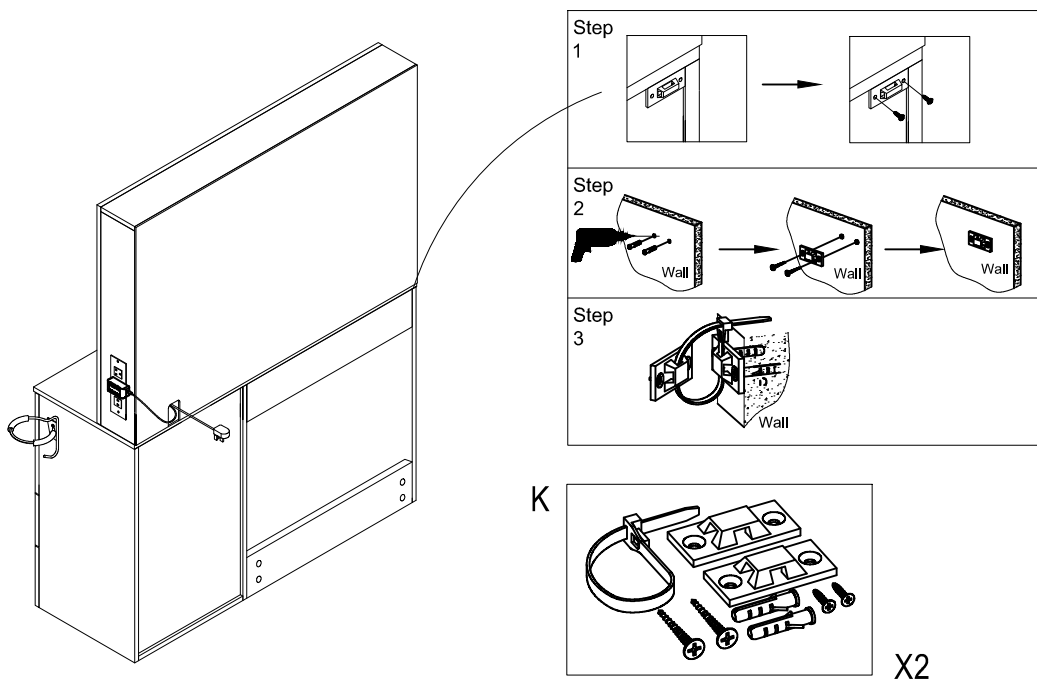


Note: Firstly drag the power cable out from the gap and then fix the mirror backboard.

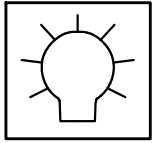
- F  X10

ASSEMBLY

## 29. Assemble the anti-tip kits



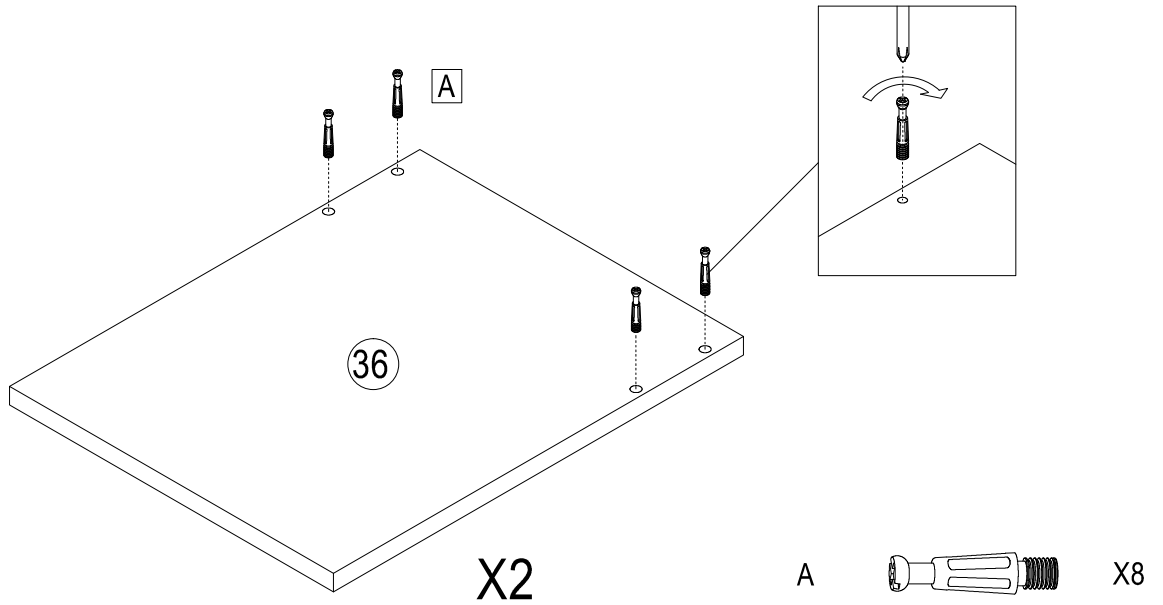
## light instructions



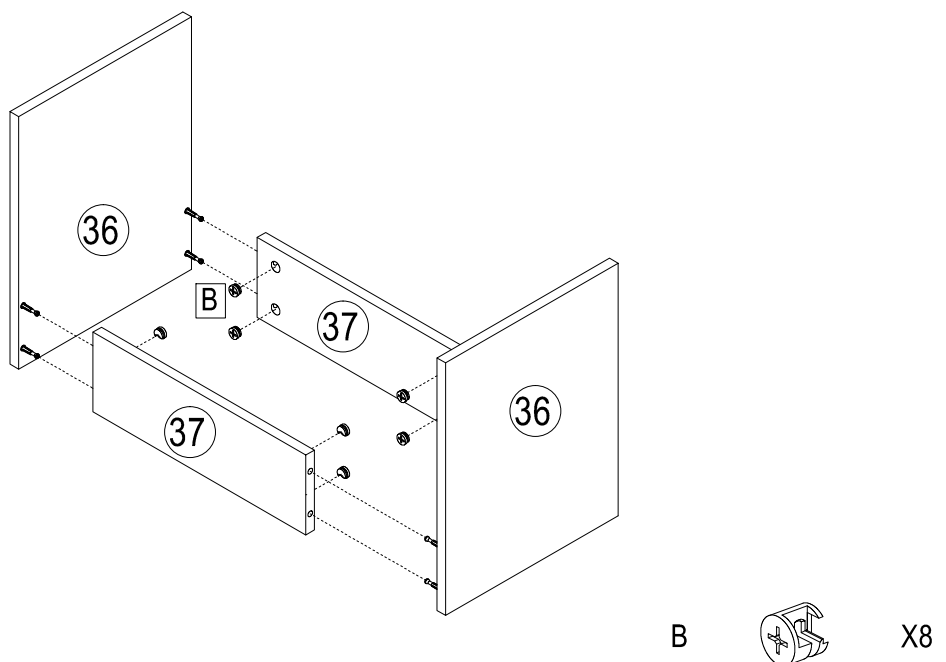
- 1 Press the light button and the light is on. The initial brightness is medium.
- 2 Long press the light button and light will turn brighter.  
The light will turn darker if this step is repeated.
- 3 Press twice and the light color is changed. There are three colors available and the brightness adjustment can follow the second point. Press again after the third color is on and the light will be off.

ASSEMBLY

30. Screw A in the stool side

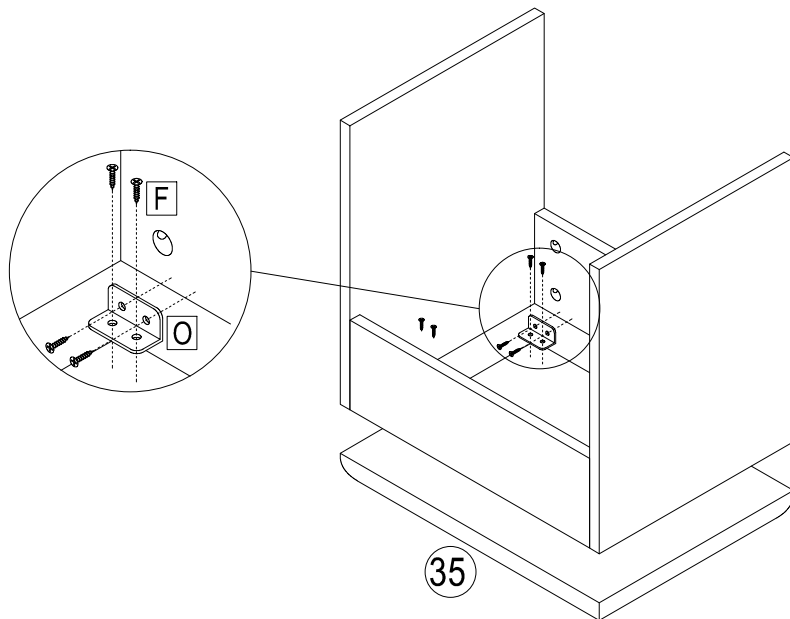



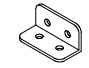
31. Assemble stool frame



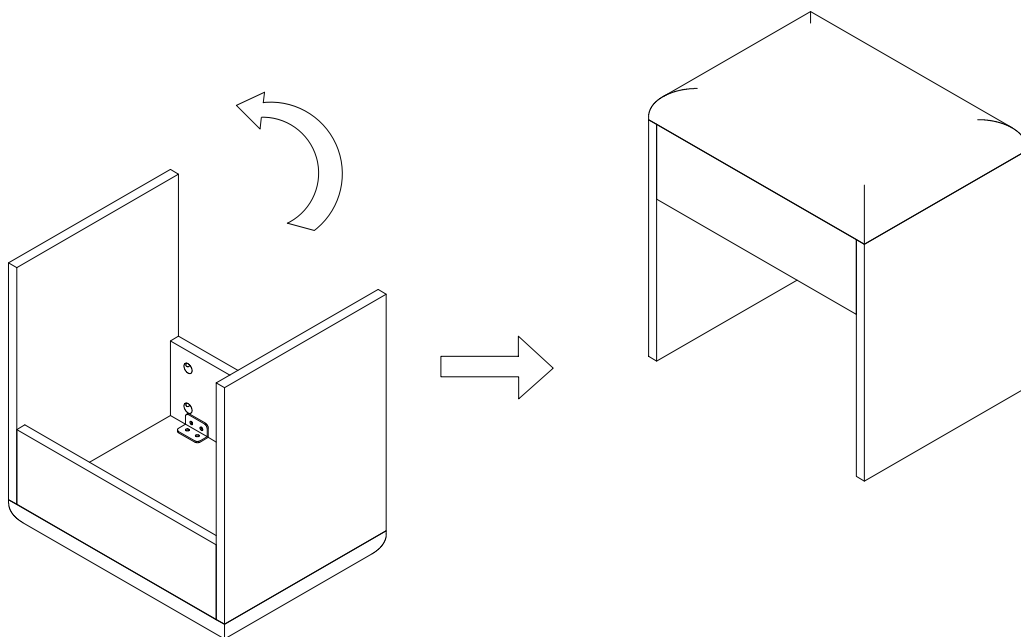
ASSEMBLY

### 32. Assemble stool cushion



- F  X16
- P  X4

### 33. Stand the stool up



## 6-Months Limited Warranty

- a. Boahaus, LLC provides limited warranty coverage to the original purchaser of this product for a period of six months from the date of purchase against defects in materials or workmanship of Boahaus furniture components. As used in this Warranty, “defect” means imperfections in components which substantially impair the utility of the product. This Warranty gives you specific legal rights, and you may also have other rights which vary from state to state.
- b. There is no warranty coverage for defects or conditions that result from the failure to follow product assembly instructions, information or warnings, misuse or abuse, intentional damage, fire, flood, alteration or modification of the product, or use of the product in a manner inconsistent with its intended use, nor any condition resulting from incorrect or inadequate maintenance, cleaning, or care. There is also no warranty coverage for rented products or any products purchased “used” or “as is”, at a distress or going-out of business sale, or from a liquidator.
- c. As the exclusive remedy under this Warranty, Boahaus will (at its sole option) repair, replace or refund the value of any defective furniture component. Boahaus may require independent confirmation of the claimed defect and proof of purchase. Replacement parts will be warranted for only the remaining period of the original Warranty. BOAHAUS SHALL HAVE NO LIABILITY for ANY INCIDENTAL OR CONSEQUENTIAL DAMAGES OF ANY KIND and all such damages are EXCLUDED FROM THIS WARRANTY, such as loss of use, disassembly, transportation, labor or damage to property on or near the product. Some states do not allow the exclusion or limitation of incidental or consequential damages, so the above limitation or exclusion may not apply to you.
- d. This Warranty applies only to warranted defects that first arise and are transferred to subsequent owners or users of the product, and it shall be immediately void in the event the product is resold, transferred, leased or rented to any third party or person other than the original purchaser.
- e. THERE ARE NO OTHER WARRANTIES APPLICABLE TO THIS PRODUCT. Under the laws of certain states, there may be no implied warranties from Boahaus and all implied warranties, INCLUDING ANY IMPLIED WARRANTY OF MERCHANTABILITY OR FITNESS FOR A PARTICULAR PURPOSE are disclaimed where allowed by law. TO THE EXTENT ANY IMPLIED WARRANTIES ARE APPLICABLE, ANY IMPLIED WARRANTIES, INCLUDING ANY IMPLIED WARRANTY OF MERCHANTABILITY OR FITNESS FOR A PARTICULAR PURPOSE, ARE LIMITED IN DURATION TO THE DURATION OF THIS EXPRESS WARRANTY or the minimum period allowed by law, whichever is shorter. Some states do not allow limitations on how long an implied Warranty lasts, so the above limitation may not apply to you.
- f. For Warranty inquiries, questions about disposition or claims, please visit our website [www.boahaus.com](http://www.boahaus.com). You can also contact Boahaus at **+1 281-809-4043** or email at [contact@boahaus.com](mailto:contact@boahaus.com) Boahaus may require Warranty claims to be submitted in writing to:

Boahaus LLC.  
1250-1252  
Ave. Franklin Delano Roosevelt,  
San Juan, PR 00926.

Please include your sales receipt or other proof of purchase and a specific description of the product defect.

# boahaus

## ASSEMBLY INSTRUCTIONS

### ATTENTION!!!

Any inquiry or replacement parts  
you need, contact us directly at:

[contact@boahaus.com](mailto:contact@boahaus.com)

Scan this QR Code to chat to Customer Support Team



Or Call Us at +1 (281) -809-4043