



| Bathroom Vanities |

**Installation Guide**

#### Required Tools( Not Included)



Screwdriver



Silicone

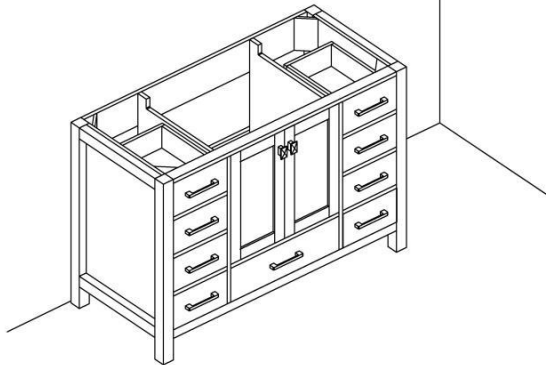


Tape



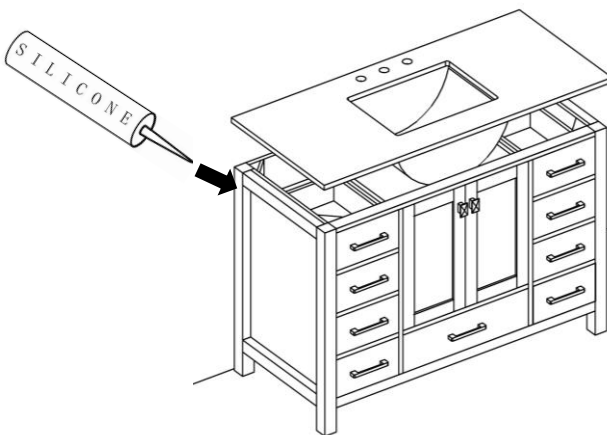
Pencil

1



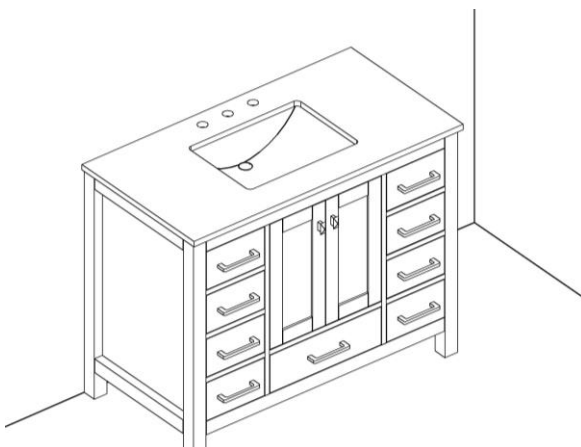
**Set the bathroom cabinet to suitable position**

2



**Seal counter-top onto cabinet with silicone**

3



**Suggestion: Fix the faucet onto the Top before sealing top onto cabinet**

Required Tools( Not Included)



Screwdriver



Silicone



Tape



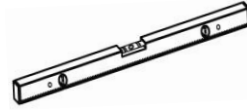
Pencil



Electric Drill



Drilling Bit



Spirit Level

Supplied Spare Part



(Anchors)

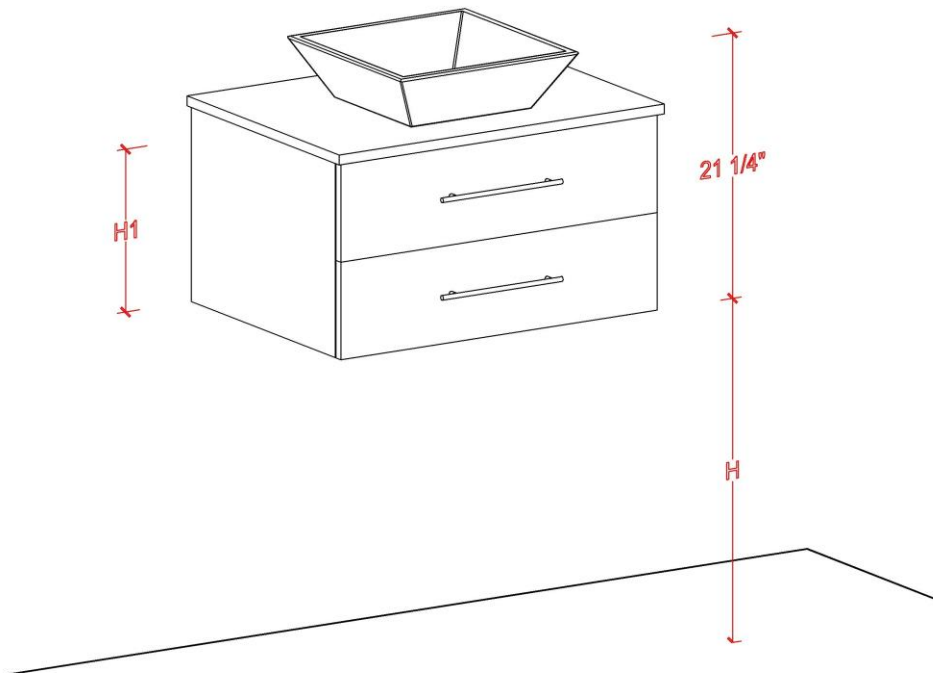


(Screws)



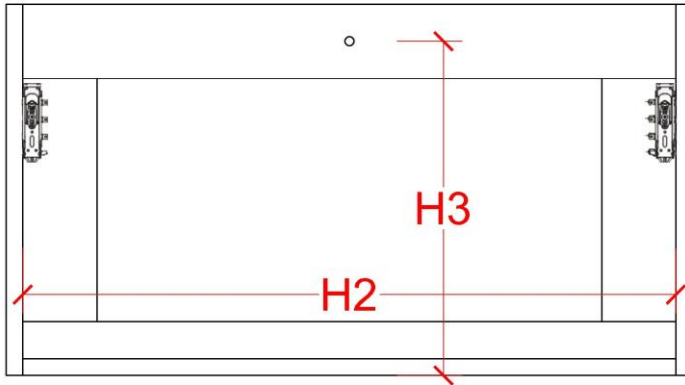
(hanger)

1



Measure the cabinet with suitable height to get **H**

2

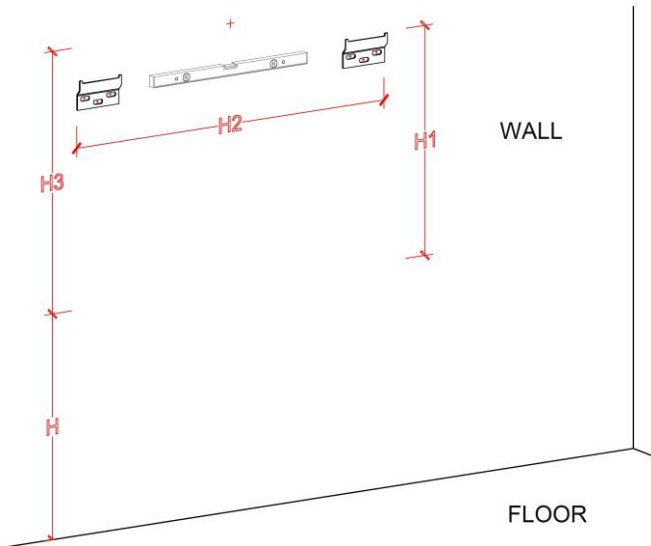


BACK VIEW



Measure the back of cabinet to get **H1, H2 AND H3**

3



Mark the position for fixing the hanger onto wall with pencil

4



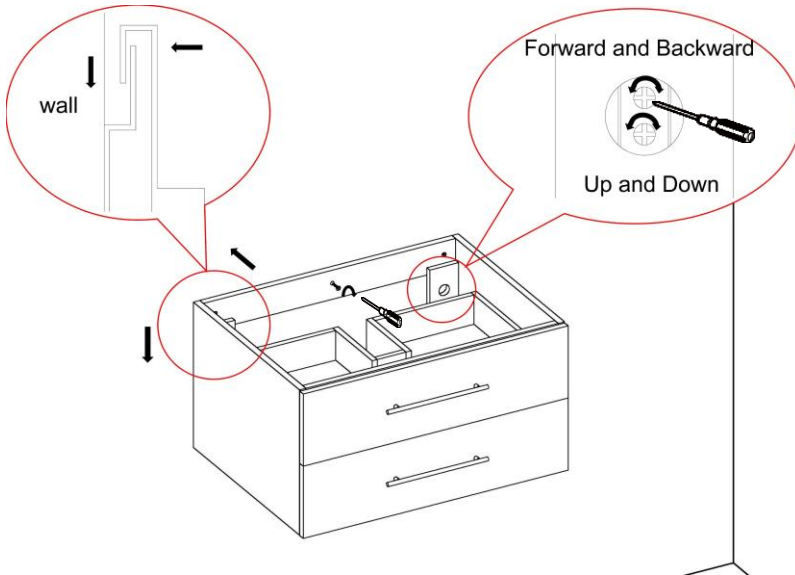
Drill the hole with suitable drill bite on marked position, then insert the anchors into hole

5



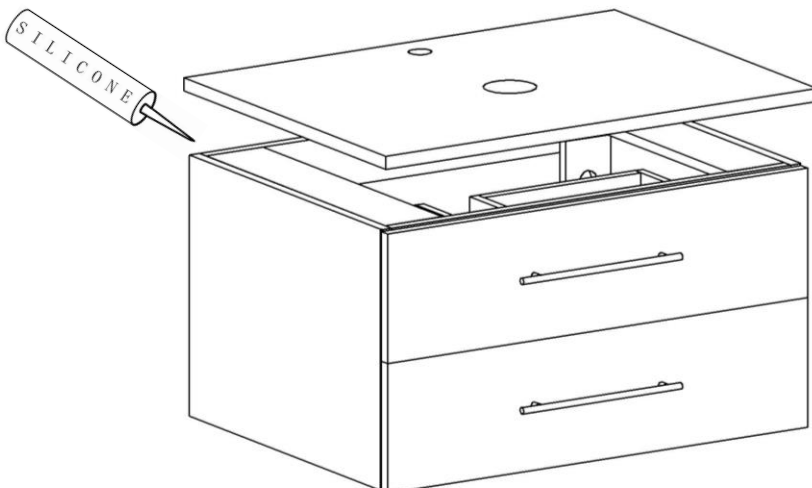
**Fix the hanger onto wall with screws**

6



**Hang cabinet onto the hanger and adjust the hang hardware, then screw the cabinet to the wall**

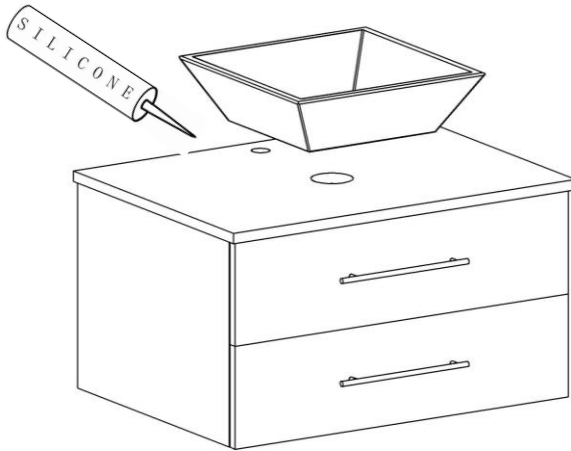
7



**Seal counter-top onto cabinet with silicone**

**Suggestion: Fix the faucet onto the Top before sealing top onto cabinet**

8



**Seal sink onto top  
with silicone**

9

