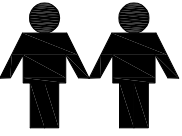
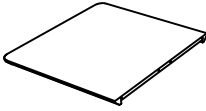
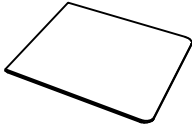
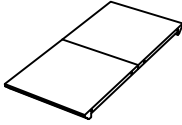
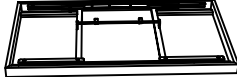
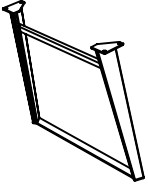

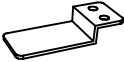
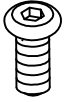
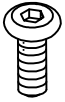
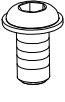
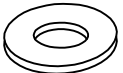
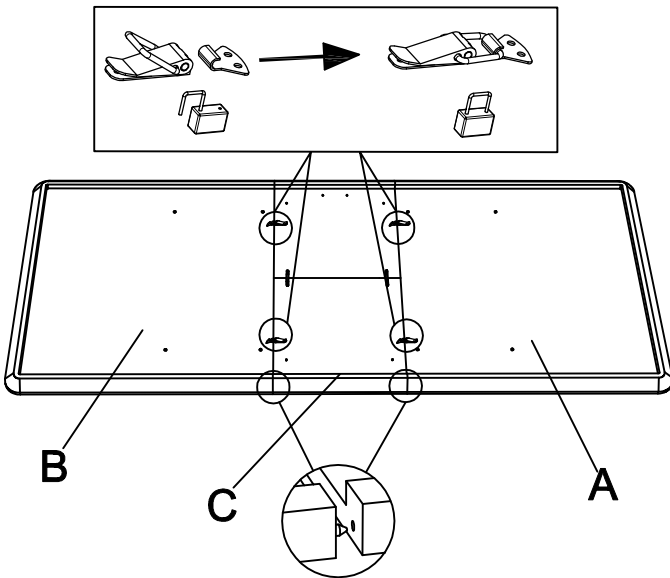


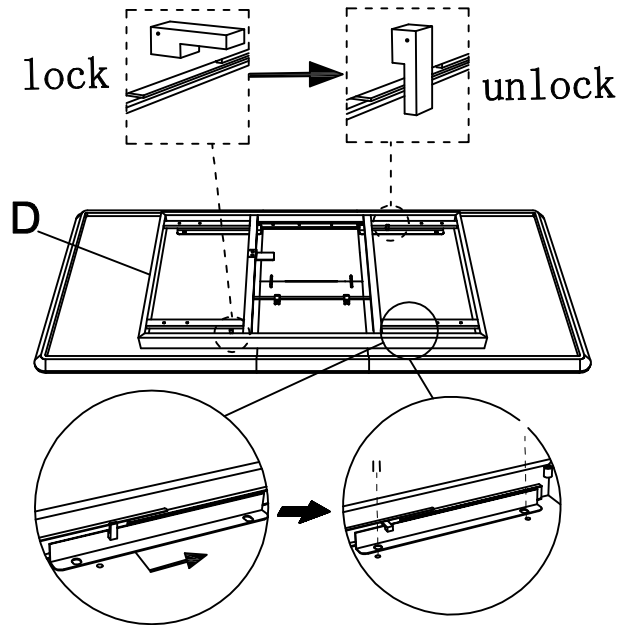
ASSEMBLY INSTRUCTION

	 <p>A × 1pc</p>	 <p>B × 1pc + spare × 2</p>	 <p>C × 1pc + spare × 1</p>	 <p>D × 1pc + spare × 2</p>	 <p>E × 2pcs + spare × 2</p>
	 <p>F × 1pc</p>	 <p>G × 10pcs M8 × 16</p>	 <p>H × 7pcs M6 × 16</p>	 <p>I × 10pcs M8 × 16</p>	 <p>J × 10pcs 2MM</p>

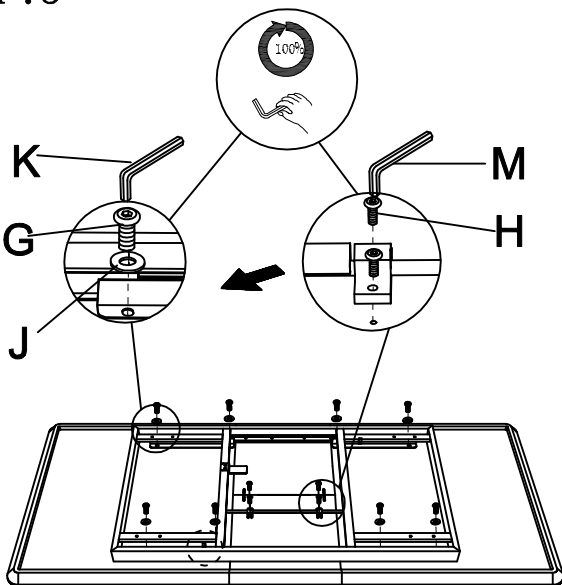
STEP : 1



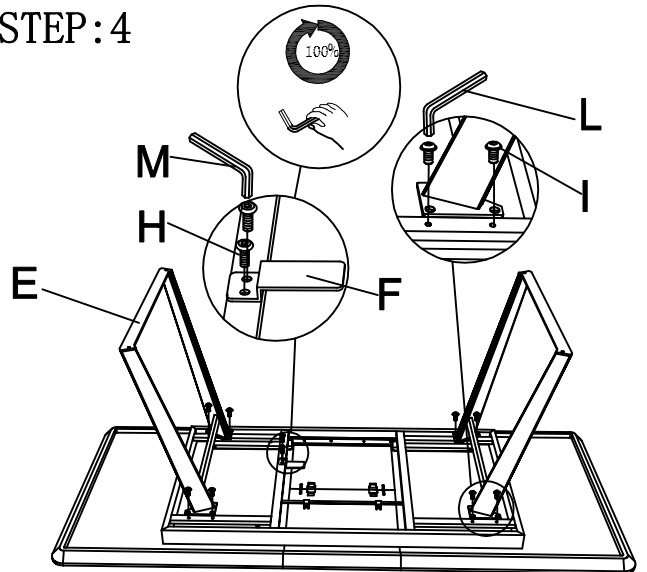
STEP : 2



STEP : 3



STEP : 4



ASSEMBLY INSTRUCTION



K×1pc
5#



L×1pc
6#



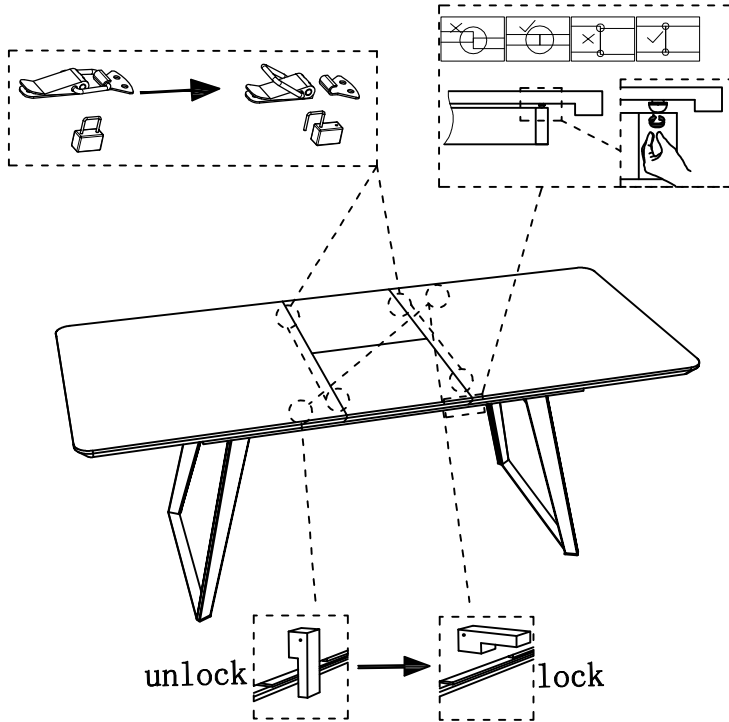
M×1pc
4#

+spare×1

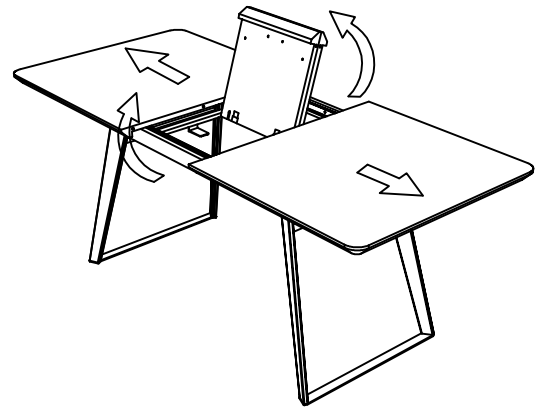


N×1pc

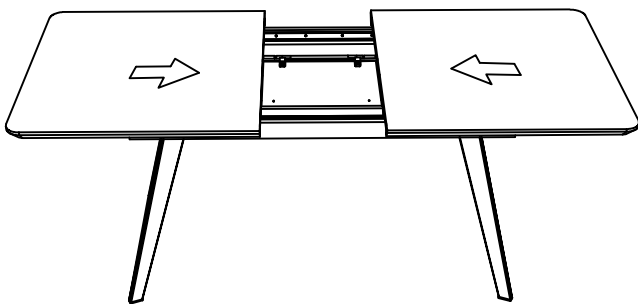
STEP:5



STEP:6



STEP:7



STEP:8

