
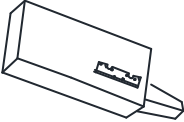
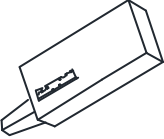
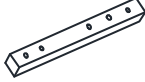




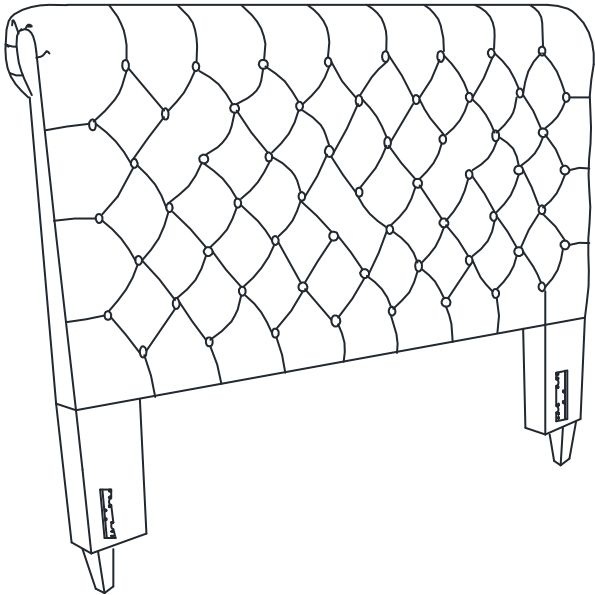


ASSEMBLY INSTRUCTION

FULL QUEEN AND KING HEADBOARD

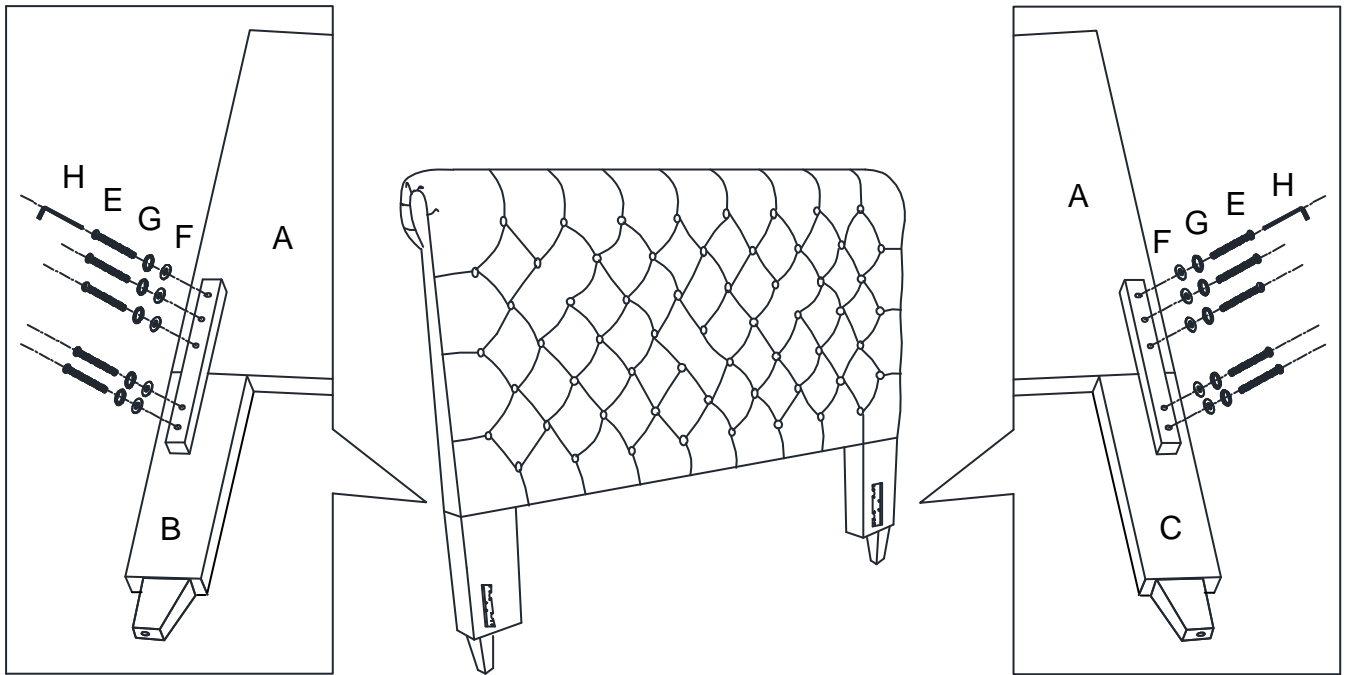
A Headboard  1pc	B Left Wooden Frame  1pc	C Right Wooden Frame  1pc	D Slate  2pcs	E Bolt 1/4" x 65mm  10pcs
F Flat Washer  10pcs	G Lock Washer  10pcs	H Allen Wrench  10pcs		



This page lists all the contents included in the box. Please take the time to identify the hardware as well as the individual components to this product. As you unpack and prepare for assembly, place the contents on a carpeted or padded area to protect them from damage.

1

Attached left Wooden Frame (B) and right Wooden Frame (C) to the Headboard (A) use Bolt (E), Lock Washer (G) and Flat Washer (F) on holes of Slates (D). Turn the Allen Wrench (H) in Bolt (E).



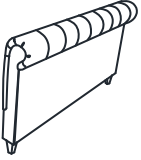
Cleaning & Care

Treat surface with care. Surface is resistant to scratches but is not scratch resistant. Clean surfaces with a dry or damp soft cloth. Do not use abrasive cleaners. Hardware may loosen over time. Periodically check that all connections are tight.

ASSEMBLY INSTRUCTION

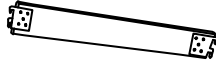
KING BED WITH REGULAR SLATS

A Footboard



1pc

B Side Rails



2pcs

C Allen Wrench



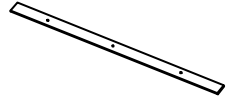
1pc

D Support Leg



15pcs

E Wooden Slat



5pcs

F Screw



20pcs

G Bolt
1/4" x 50mm



15pcs

H Flat Washer

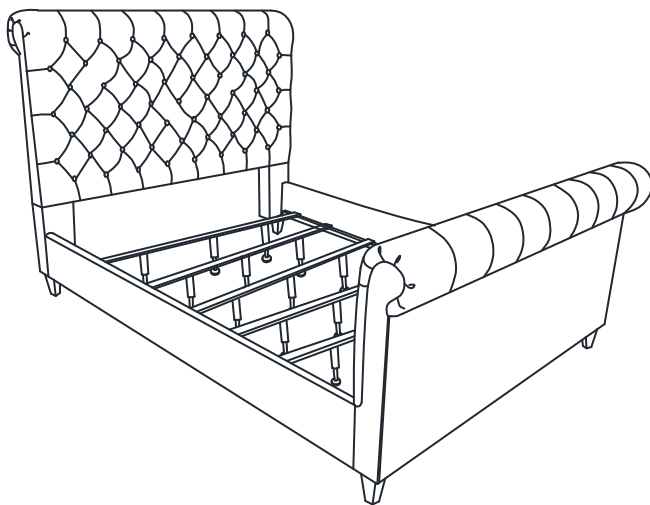


15pcs

I Lock Washer

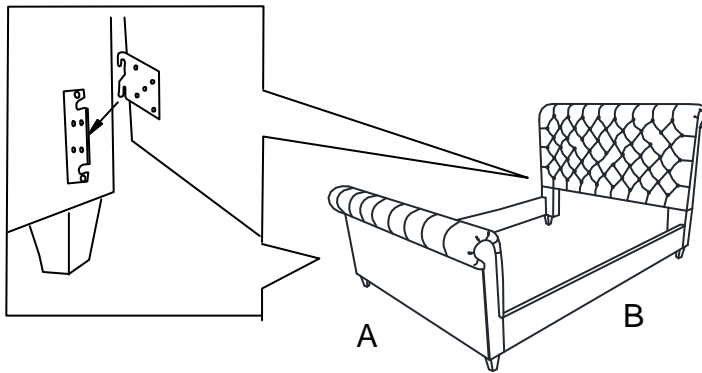


15pcs

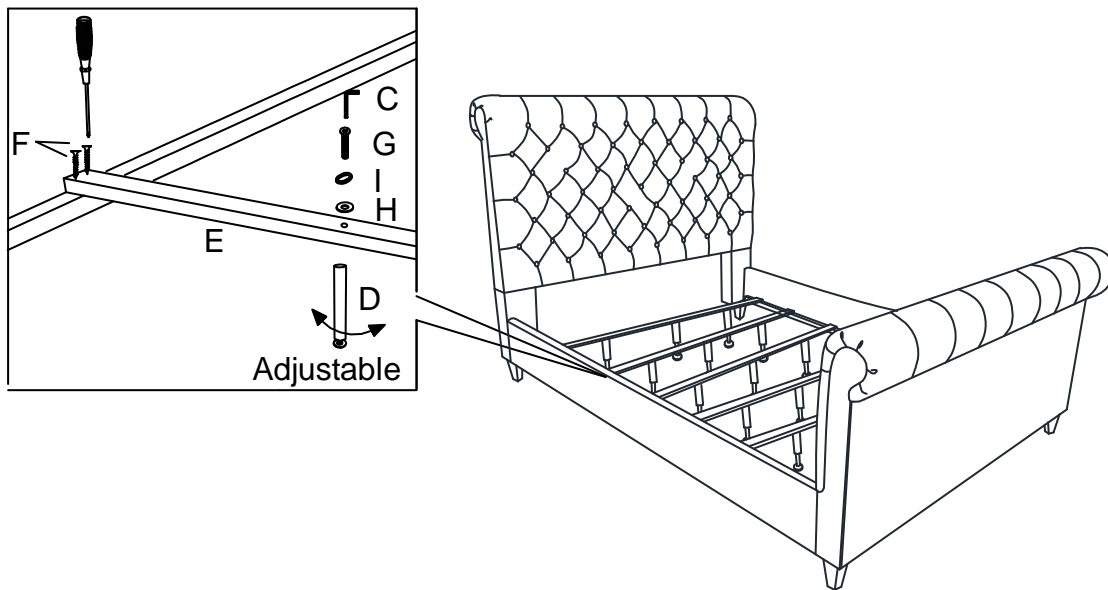


This page lists all the contents included in the box. Please take the time to identify the hardware as well as the individual components to this product. As you unpack and prepare for assembly, place the contents on a carpeted or padded area to protect them from damage.

1 Attached Side Rail (B) to the Headboard and Footboard (A).



2 Assembly Wooden Slats (E) and Support Leg (D) as showing.



Cleaning & Care

Treat surface with care. Surface is resistant to scratches but is not scratch resistant. Clean surfaces with a dry or damp soft cloth. Do not use abrasive cleaners. Hardware may loosen over time. Periodically check that all connections are tight.

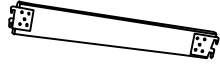
ASSEMBLY INSTRUCTION

KING BED - FOOTBOARD & SIDE RAILS

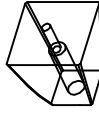
A Footboard **B** Side Rails **C** Wooden Leg **D** Support Leg **E** Wooden Slats



1pc



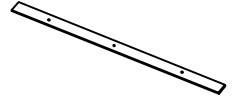
2pcs



2pcs



15pcs



5pcs

F Screw **G** Bolt 1/4" x 75mm **H** Bolt 1/4" x 50mm **I** Flat Washer **J** Lock Washer



20pcs



2pcs



15pcs



17pcs

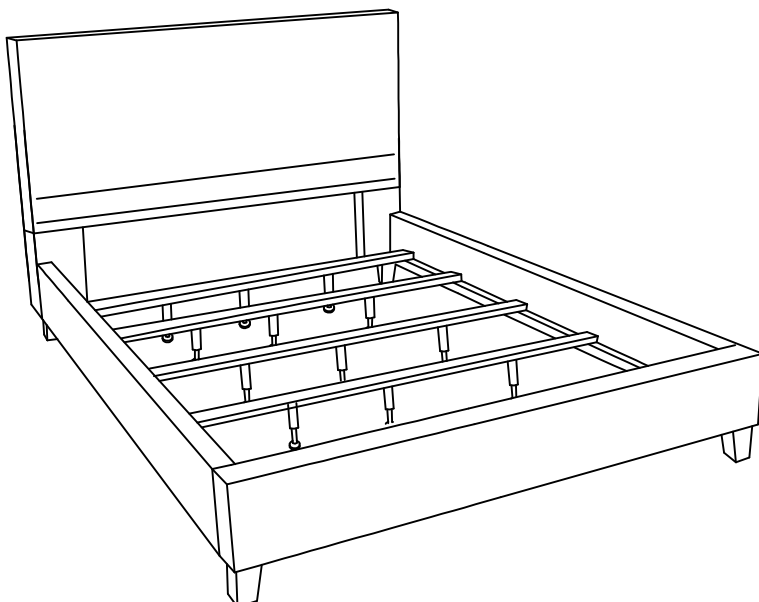


17pcs

K Allen Wrench

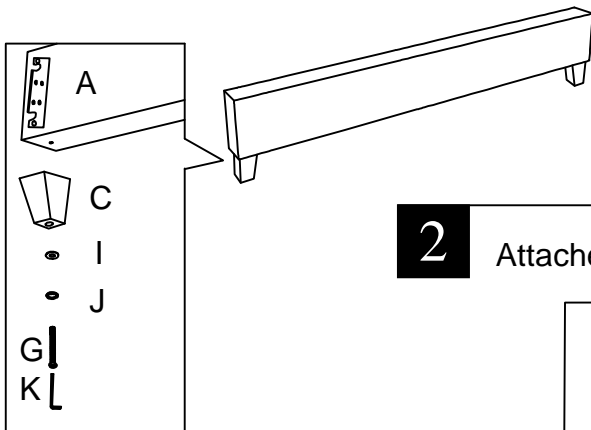


1pc

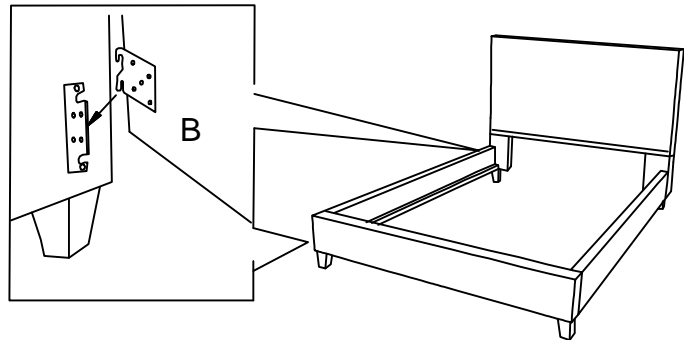


This page lists all the contents included in the box. Please take the time to identify the hardware as well as the individual components to this product. As you unpack and prepare for assembly, place the contents on a carpeted or padded area to protect them from damage.

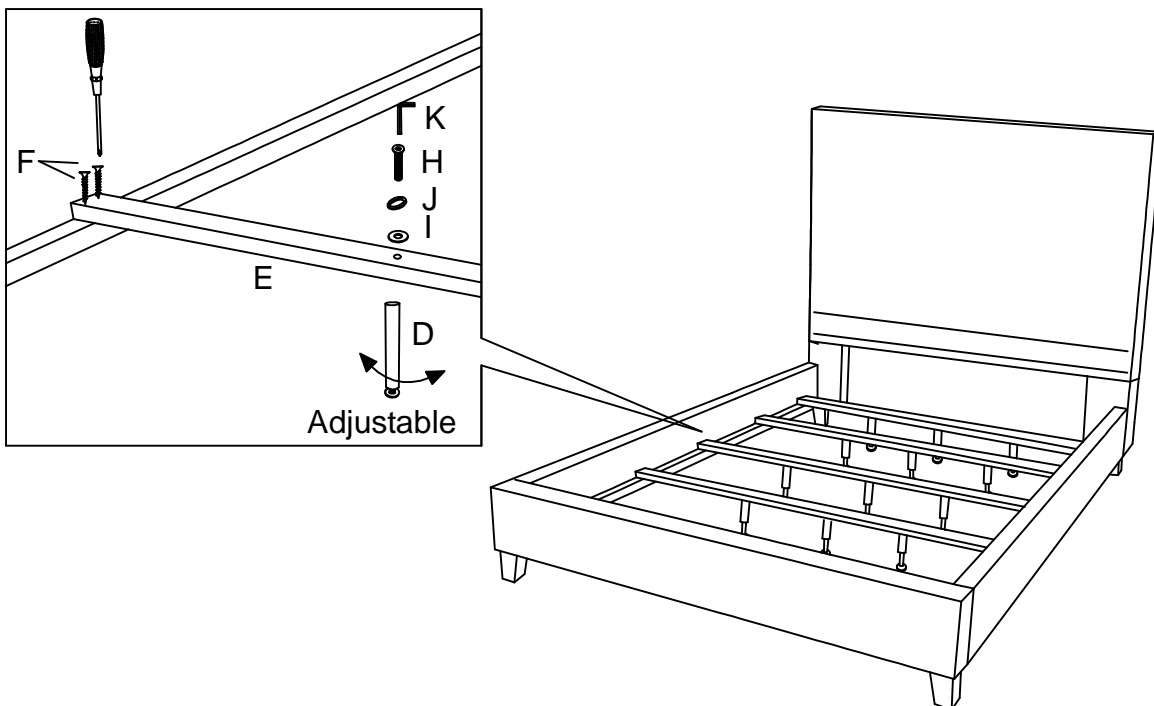
- 1** Attached Wooden Leg(C) to the Footboard(A) use Bolt(G), Lock Washer(J) and Flat Washer(I) on both of holes. Turn the Allen Wrench(K) in Bolt(G).



- 2** Attached Side Rails(B) to the Headboard and Footboard(A).



- 3** Assembly Support Leg(D) to Wooden Slats(E) use Bolt(H), Lock Washer(J) and Flat Washer(I) by Allen Wrench(K). Assembly Wooden Slats(E) to Side Rail(B) use Screw (F) as showing.



Cleaning & Care

Treat surface with care. Surface is resistant to scratches but is not scratch resistant. Clean surfaces with a dry or damp soft cloth. Do not use abrasive cleaners. Hardware may loosen over time. Periodically check that all connections are tight.