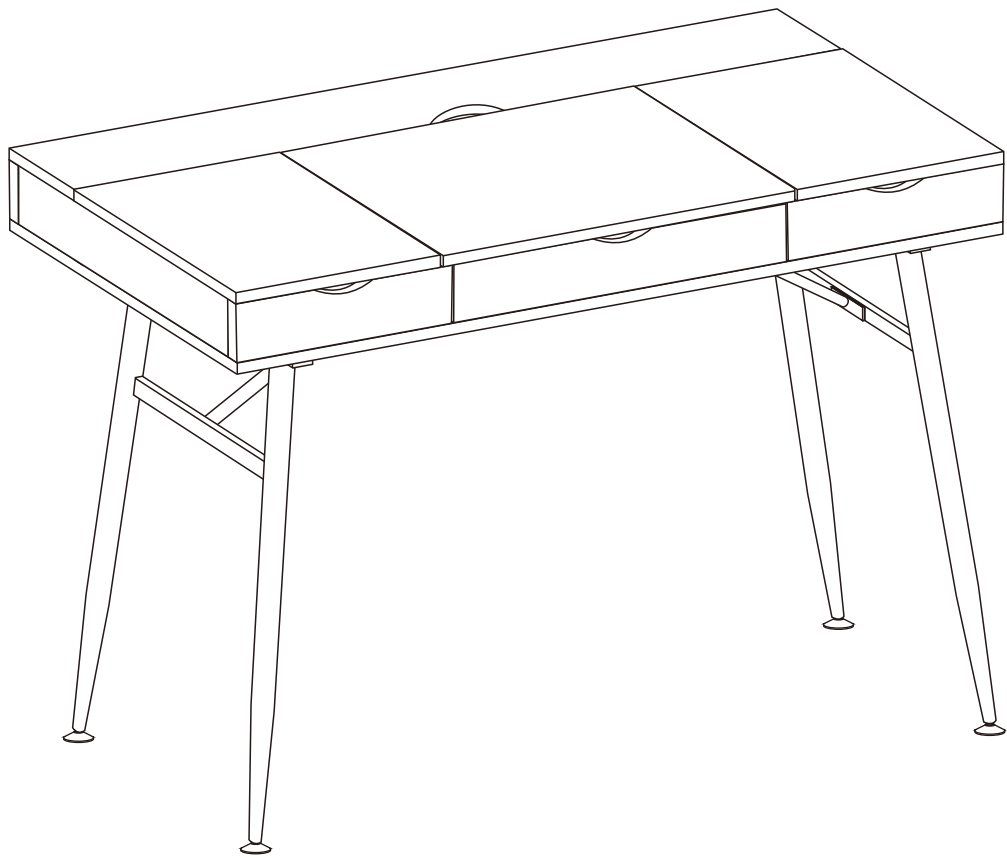
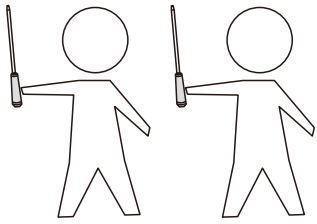


INSTRUCTIONS

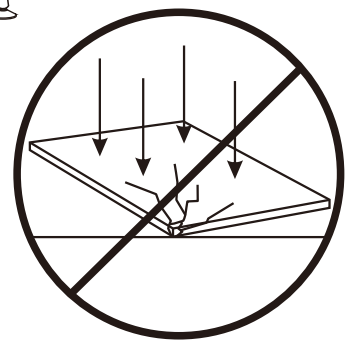
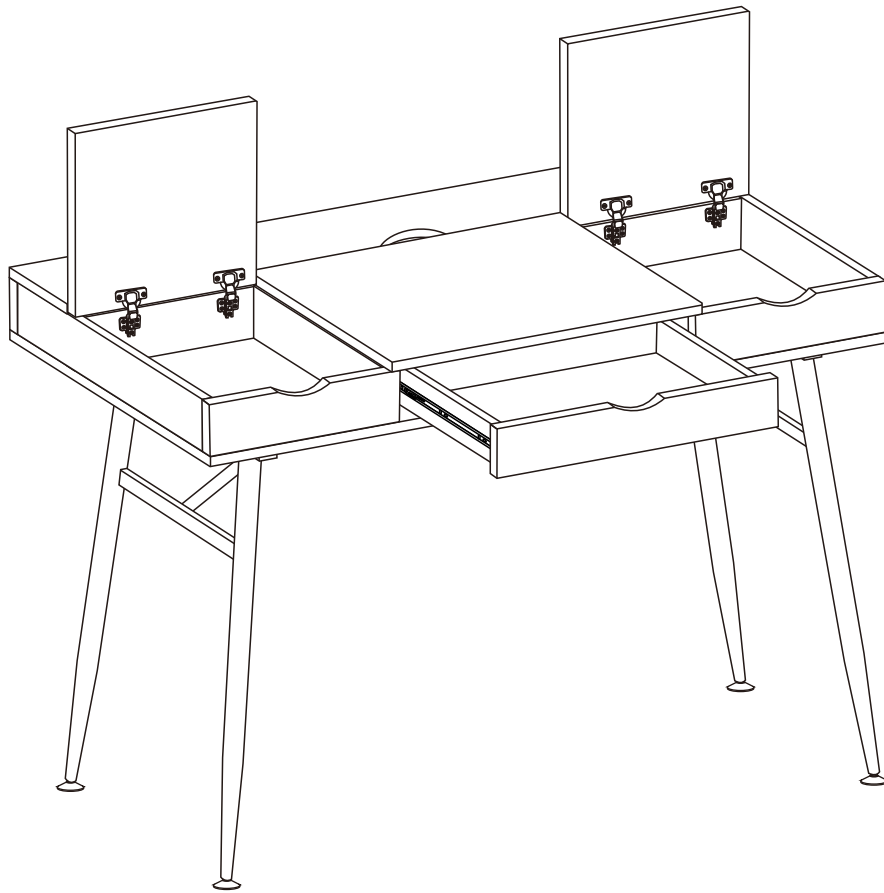


Installation Notes:

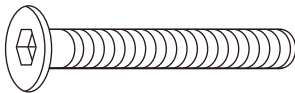
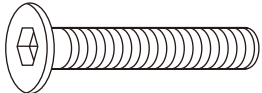
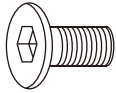
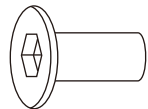
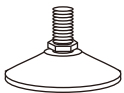
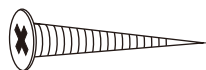

- 1. Before starting to assemble, please check the number of parts referring to this instruction.**
- 2. Before starting to assemble, please check the condition of the parts. If any damage is found, please contact us.**
- 3. Be careful of the heavy board.**
- 4. Handle with care to avoid damaging floor and the product.**
- 5. Recommendation of 2-3 people for easier installation.**



Need to prepare

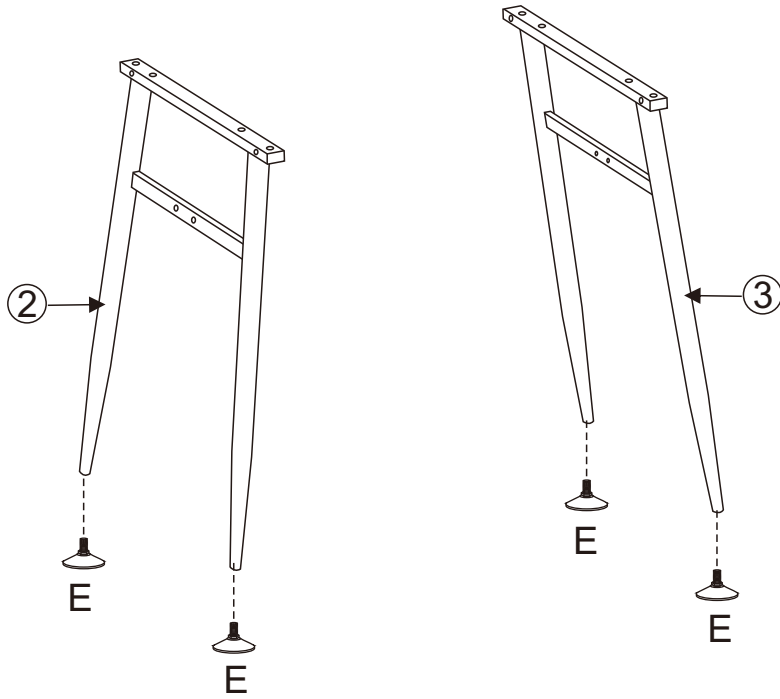
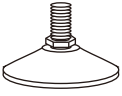


Wood board is fragile

<p>A</p>  <p>M6X50mm 4pcs</p>	<p>B</p>  <p>M6X30mm 8pcs</p>	<p>C</p>  <p>M6X12mm 12pcs</p>	<p>D</p>  <p>M6 4pcs</p>
<p>E</p>  <p>4pcs</p>	<p>F</p>  <p>ST3.5X30mm 6pcs</p>	<p>G</p>  <p>2pcs</p>	

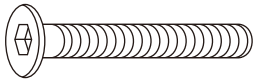
1

E*4



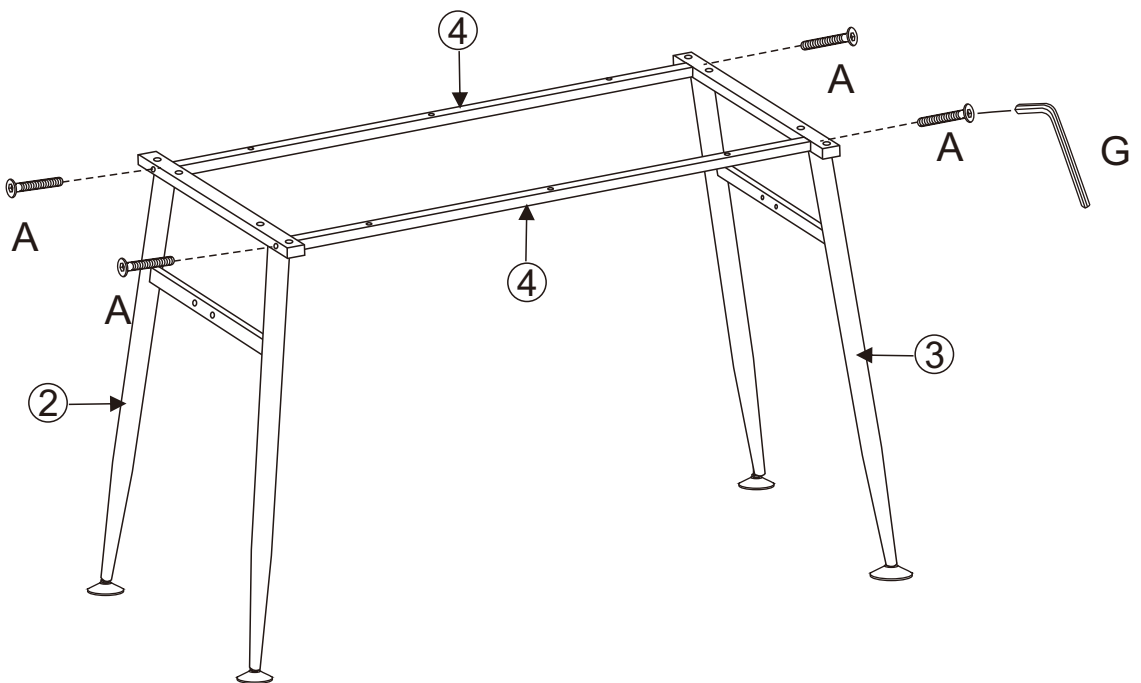
2

A*4



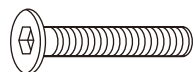
M6X50mm

G



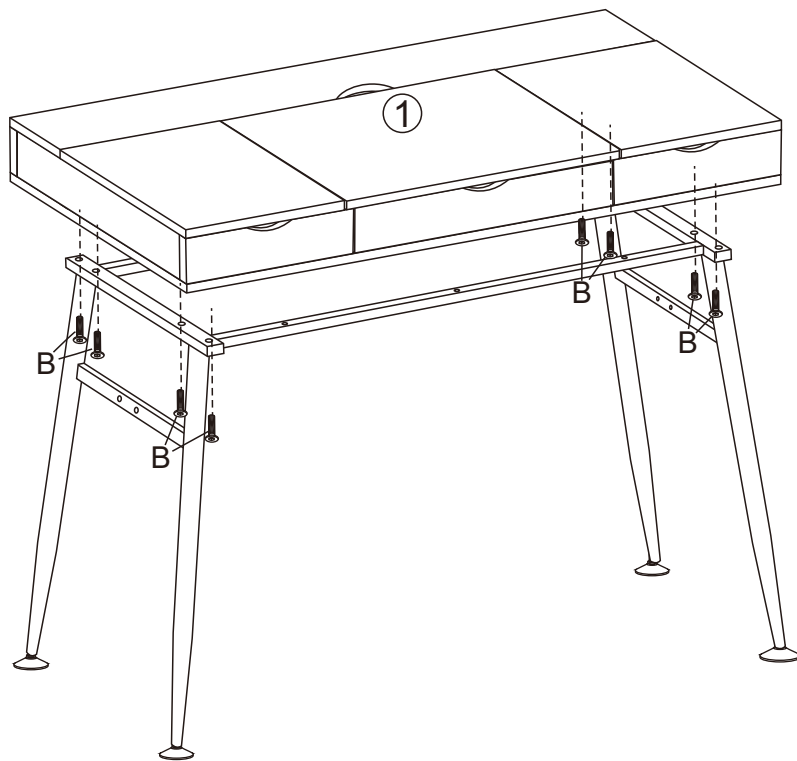
3

B*8



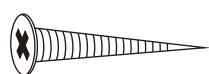
M6X30mm

G

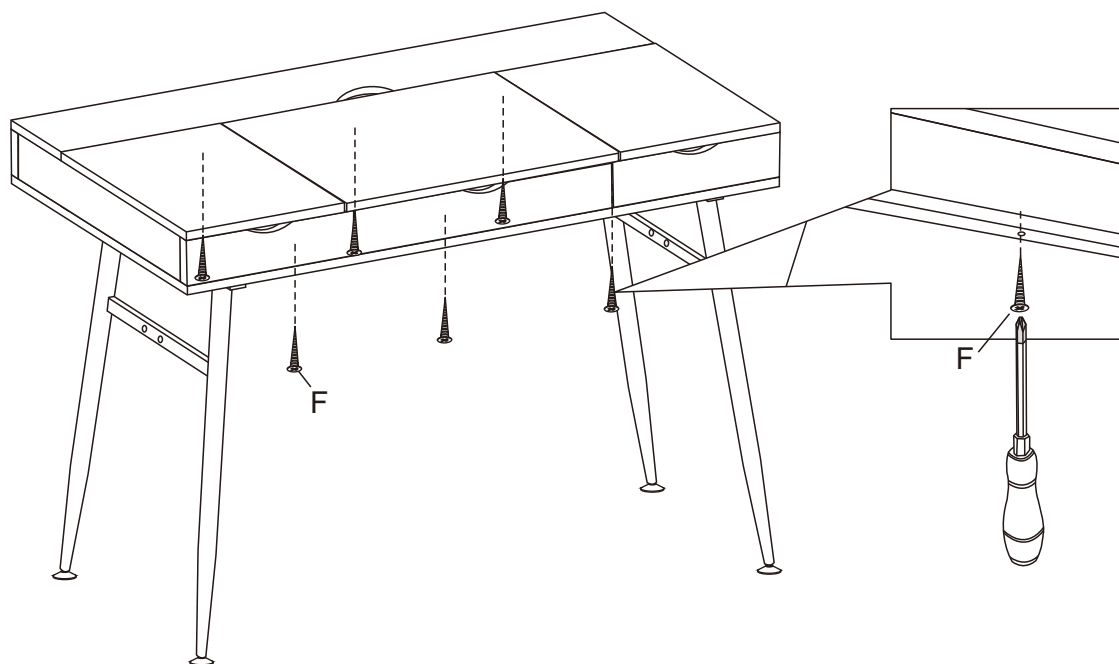
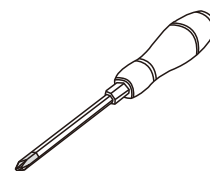


4

F*6

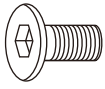


ST3. 5X30mm



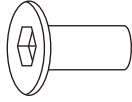
5

C*12



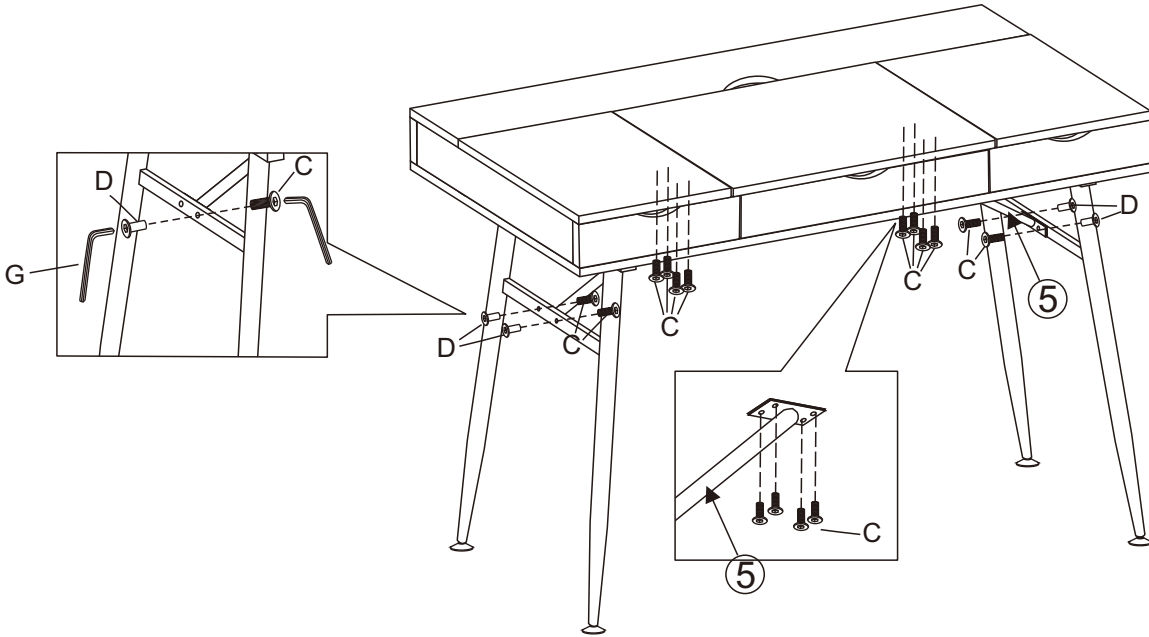
M6X12mm

D*4



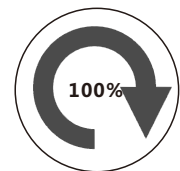
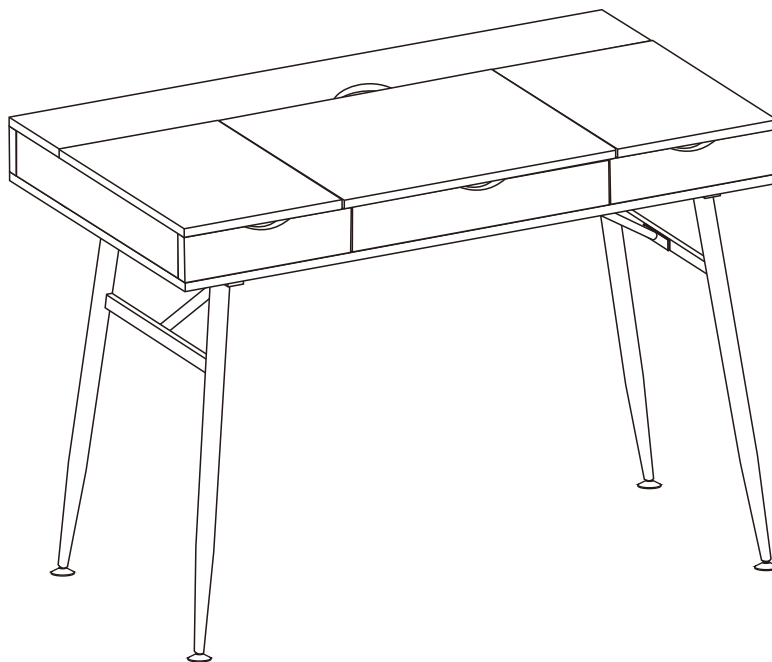
M6

G*2



6

Finish



ALL SCREW

Maintenance and Repair

To protect your furniture, we recommend:

- 1. Avoid placing furniture in direct sunlight**
- 2. Keep away the products from children while assembling. Watch out for children climbing on the products.**
- 3. Clean the products with clean rag.**
- 4. If the product is stained with oil, please wipe with general detergent.**
- 5. Clean the product with clean rag that is not easy to depilate, screw dry and wipe with water.**
- 6. Please handle the product with care.**