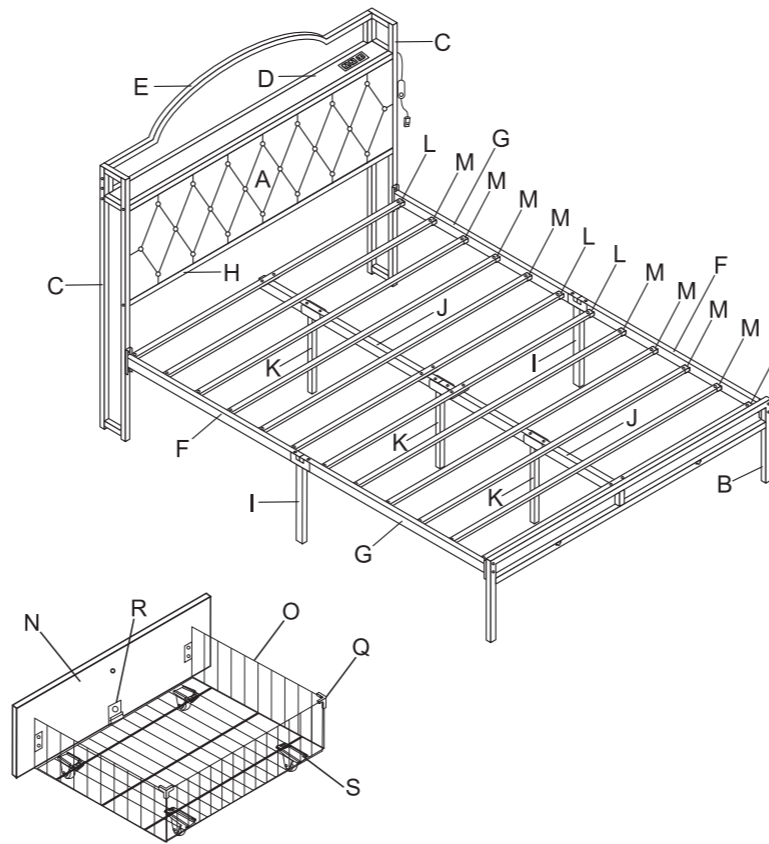
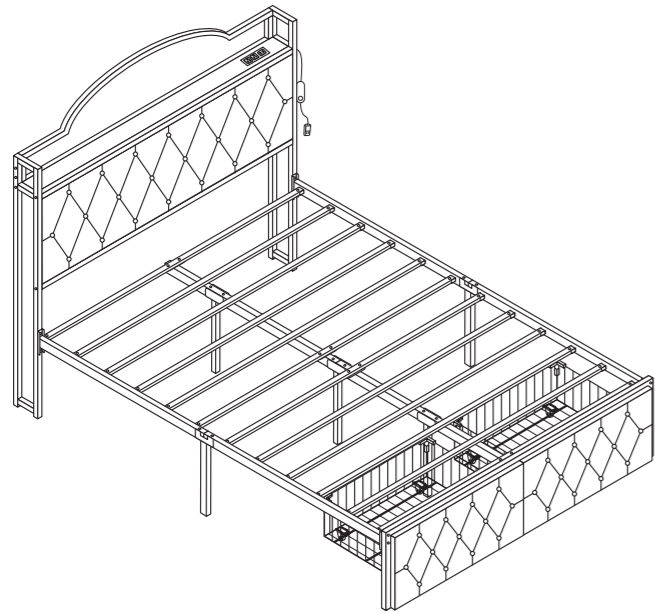


Assembly Instructions



Dear Customers,

Thank you for purchasing our product. Please read this instruction manual carefully after receiving this product. It will help you assemble this product quickly, safely and correctly. You can keep this manual for future reference.

A 1PC	B 1PC	C 2PCS
D 1PC	E 1PC	F 2PCS
G 2PCS	H 1PC	I 2PCS
J 2PCS	K 3PCS	L 4PCS
M 8PCS	N 2PCS	O 2PCS
Q 4PCS	R 2PCS	S 8PCS

1

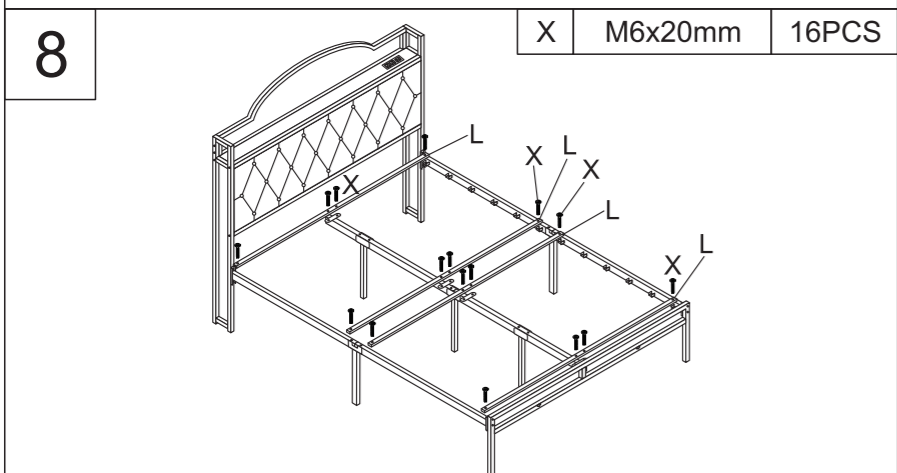
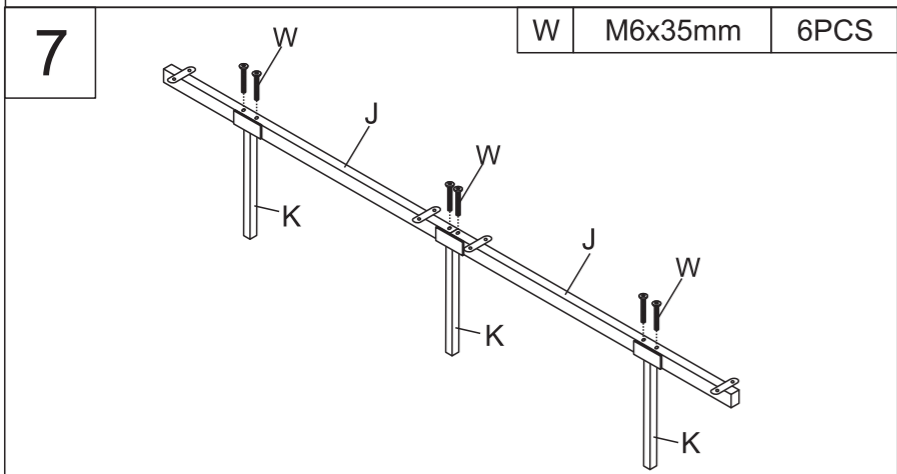
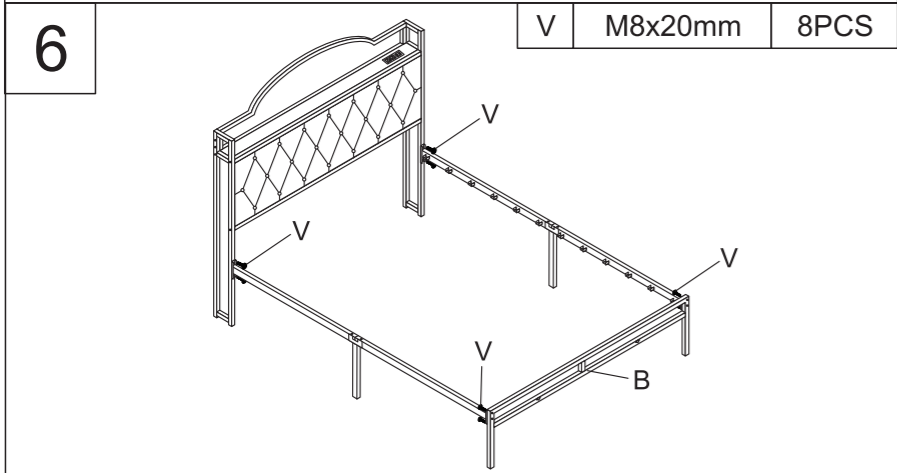
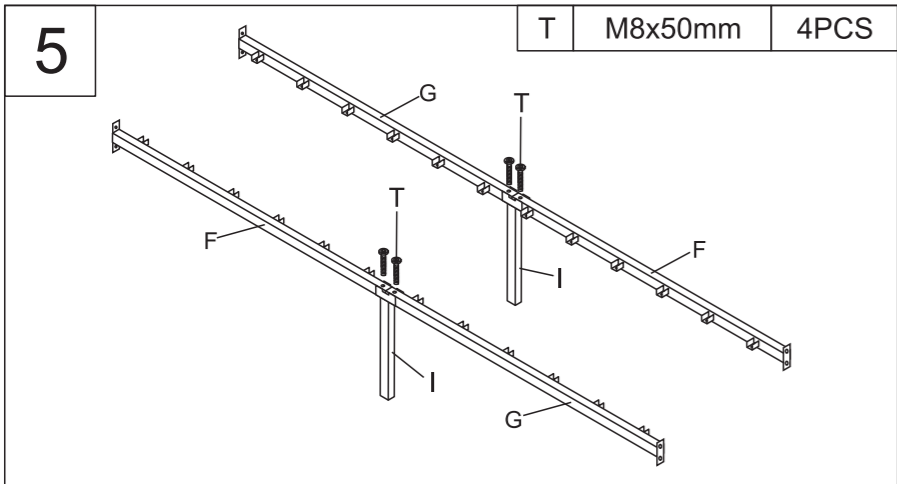
Notice: Do not tighten the screws too tightly at the beginning of the assembly. After each hole position is matched well, with gently force to screw, if there is no problem, then tighten all the screws.

T 4PCS M8x50mm	U 10PCS M8x40mm	V 8PCS M8x20mm
W 6PCS M6x35mm	X 32PCS M6x20mm	Y 20PCS M6x13mm
Z 1PC	A1 1PC	

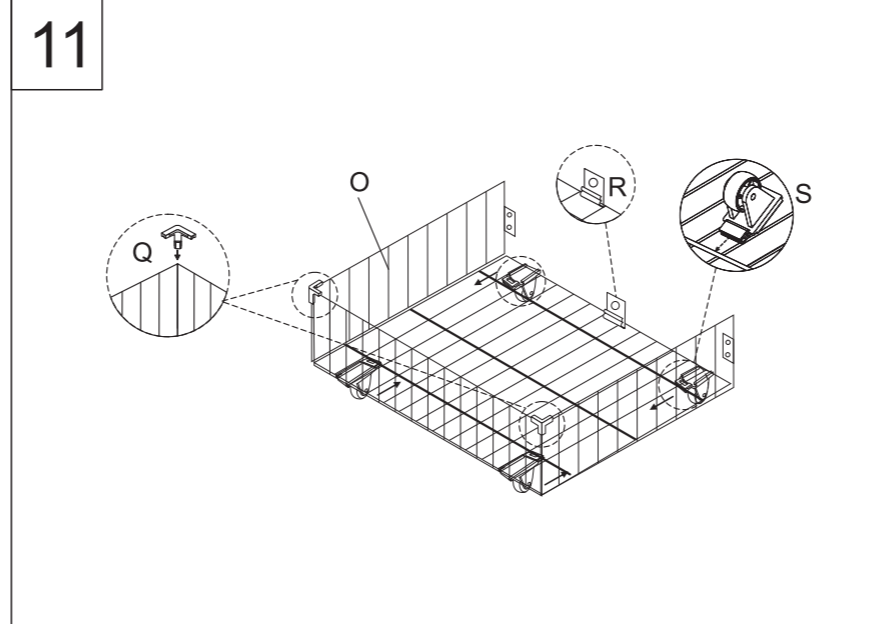
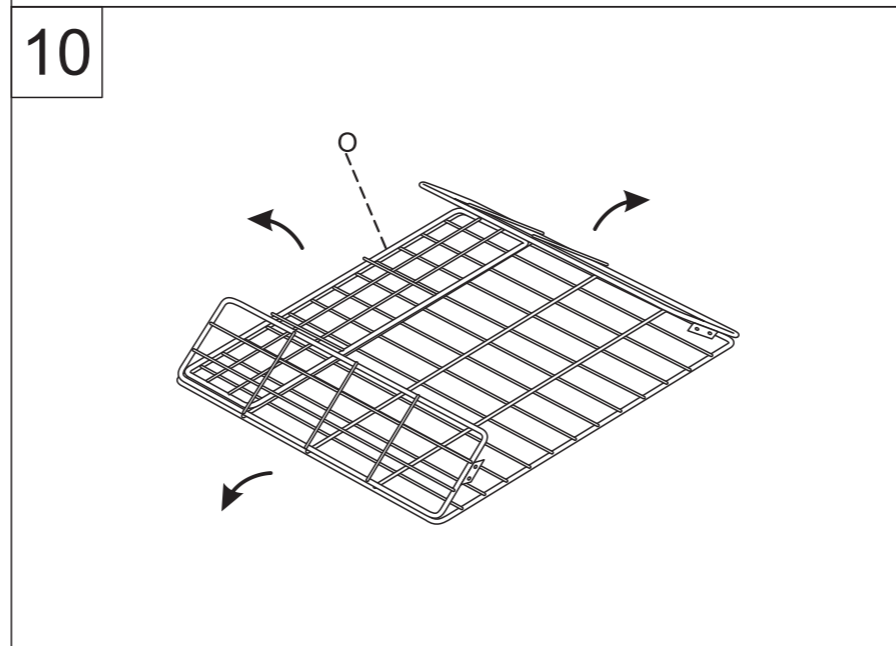
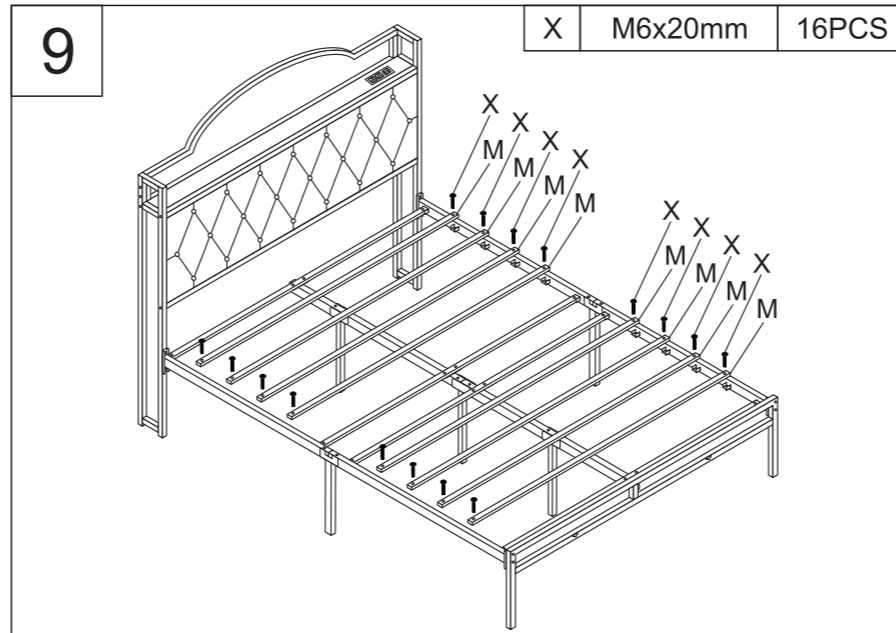
2

1	Y M6x13mm	4PCS
2	Y M6x13mm	4PCS
3	U M8x40mm	5PCS
4	U M8x40mm	5PCS

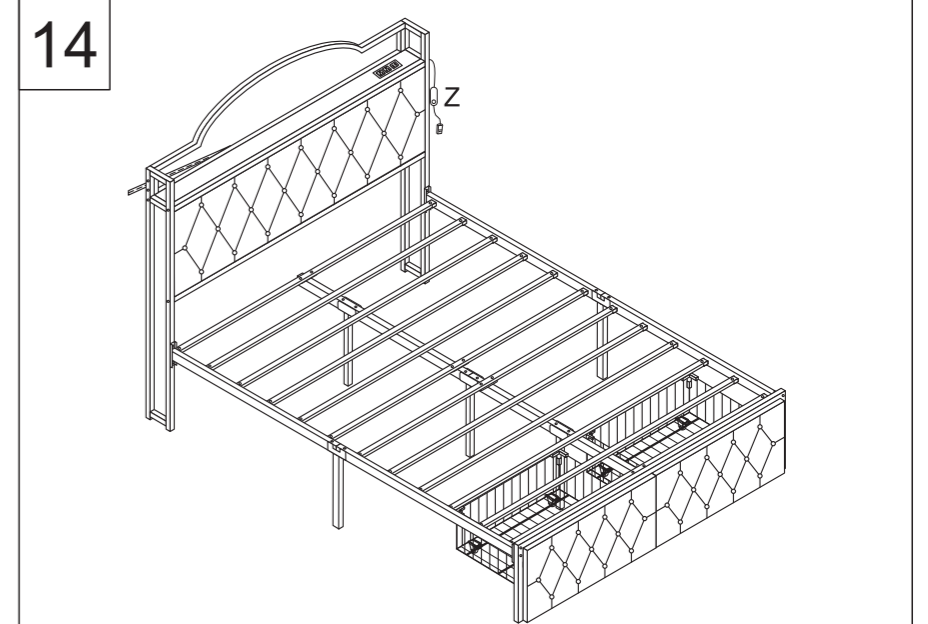
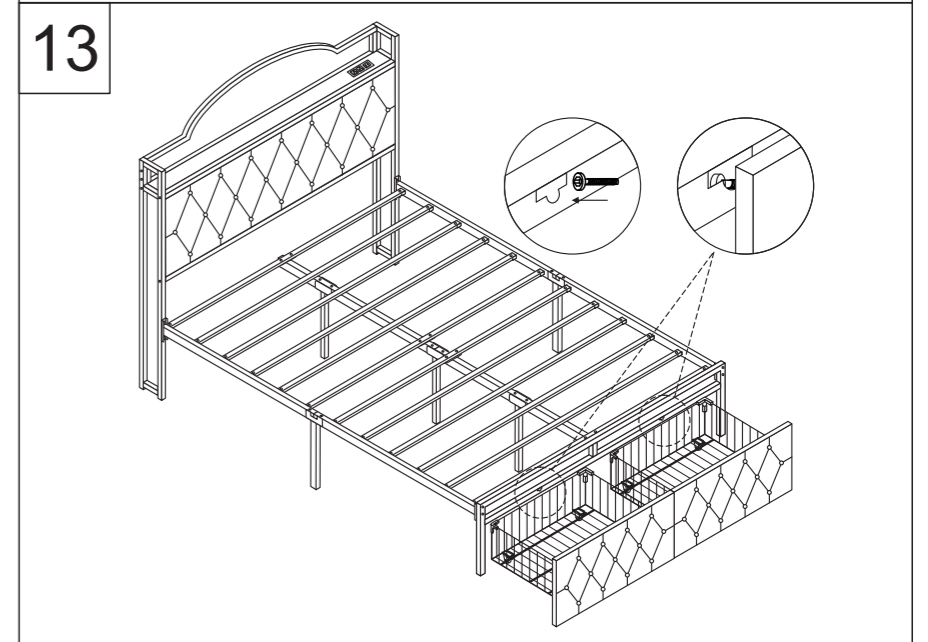
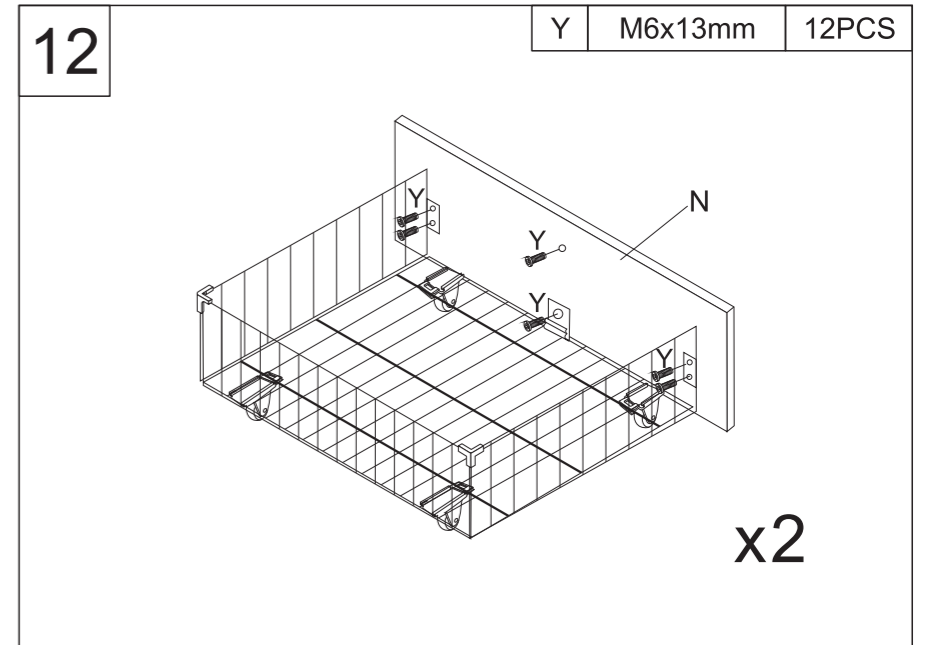
3



4



5



6