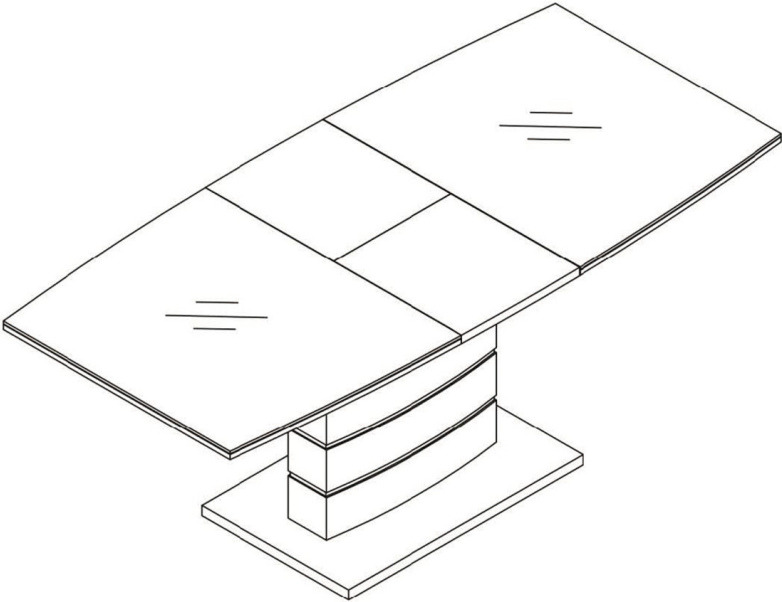


# ASSEMBLY GUIDE



**Important - Please read these instructions fully before starting assembly**



### **SAFETY AND CARE ADVICE**



### **NO POWER TOOLS**

#### **SAFETY AND CARE ADVICE**

- Check you have all the components and tools listed.
- Remove all fittings from the plastic bags and separate them into their groups.
- We do not recommend the use of power drills/drivers for inserting screws, as this could damage the unit. Only use hand screwdrivers and Allen keys.
- Keep children and animals away from the work area, small parts could cause choking if swallowed.
- Make sure you have enough space to layout the parts before starting.
- Assemble the item as close to its final position (in the same room) as possible.
- Do not overtighten the nuts to avoid causing damage to the threads.
- Only clean using a damp cloth and mild detergent, do not use bleach or abrasive cleaners.
- From time to time check that there are no loose screws on this unit
- This product should not be discarded with household waste. Take to your local authority waste disposal centre

## IMPORTANT INFORMATION



GLASS



TWO  
PERSON

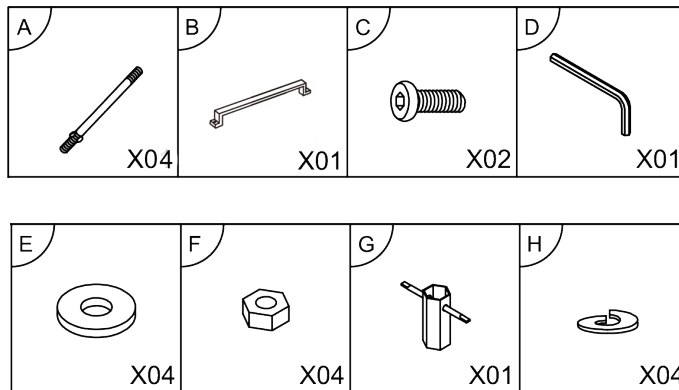


45 MINUTE  
BUILD



MAXIMUM  
CAPACITY 100Kg

PLEASE CHECK CAREFULLY AND MAKE SURE YOU HAVE ALL FITTINGS AND TOOLS LISTED BELOW BEFORE YOU START.



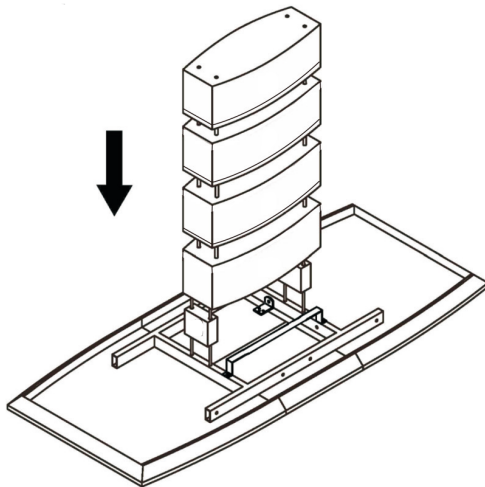
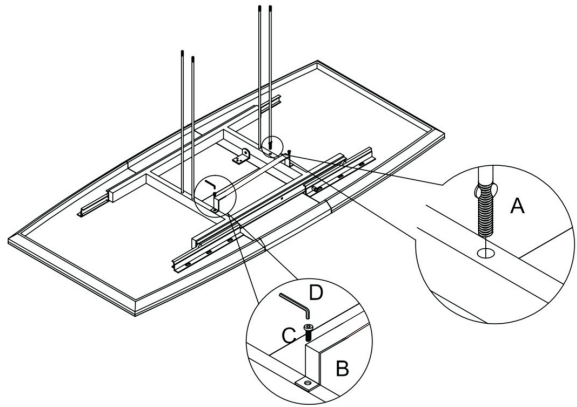
**NOTE:** The quantities above are the correct amount to complete the assembly. In some cases more fittings may be supplied than are required.

## STEP 1

Use a clear, flat, soft surface to avoid bumps or scratches. Lay the table top on the floor, with the bottom side facing upwards.

Screw 4x table rods [A] into the corresponding holes on the tabletop metal frame, either side of the extension piece, as per diagram.

Next attach the supporting bar [B] into the corresponding holes on the tabletop metal frame and secure with the 2 x bolts [C] - 1 at either end. Use the Allen key provided (Part D) to tighten.

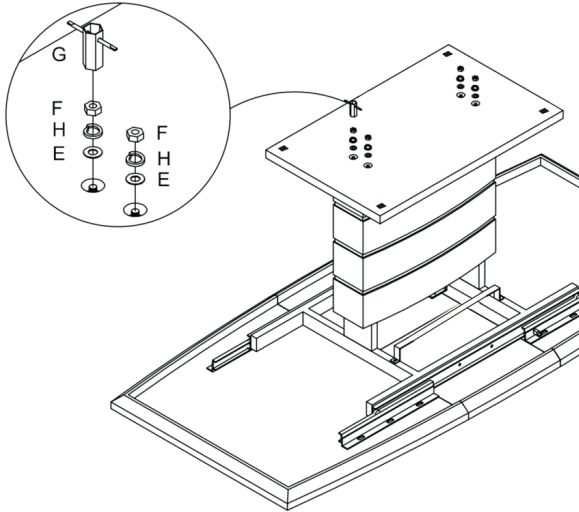


## STEP 2

Thread the two supporting small blocks over the table rods first, one on each side.

Once these are on, thread on the 3 table leg blocks with chrome bands on, chrome bands facing towards you.

Then add the 4th table leg block on top



### STEP 3

Once all table leg blocks have been added, align the table base holes over the table rods and secure in place.

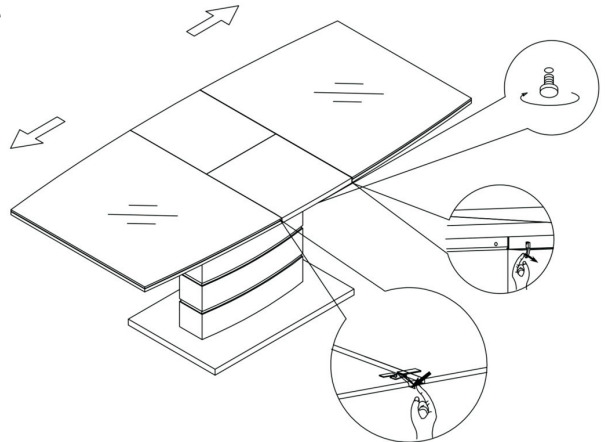
Use 1 x washer [E] followed by the split washer [H] then nut [F]. Use the spanner [G] to tighten. Repeat for 3 other holes in base.

### STEP 4

**ATTENTION:** Check all nuts are securely tightened and then carefully lift the table over on to its base (this will require 2 people) and the table is ready to use.

To extend – first unclip the runner latches [2] then unclip the main large panel latches [1], and gently slide the table panels apart away from each other. The middle panel will automatically fold out into place. Once extended, lock all of the latches back into a shut/closed position.

To close, perform the step above in reverse – unclip the runner latches [2] then the main large panel latches [1]. Gently push the table panels together – the middle panel will automatically fold out of the way. Once the table is closed, lock all of the latches back into a shut/closed position.





## OUR 2 YEAR\* GUARANTEE

our products come with a 2 year guarantee to give you peace of mind shopping at

\*excludes some garden furniture items which have a 1 year guarantee



## WHAT THE GUARANTEE COVERS



**PRE-INSERTED FIXINGS**  
e.g. lose metal threads



**FAULTY JOINTS**  
e.g. legs bending



**EXTERNAL FIXING FAULTS**  
e.g. bonding/glue



**STRUCTURAL INTEGRITY**  
e.g. the frame of the product