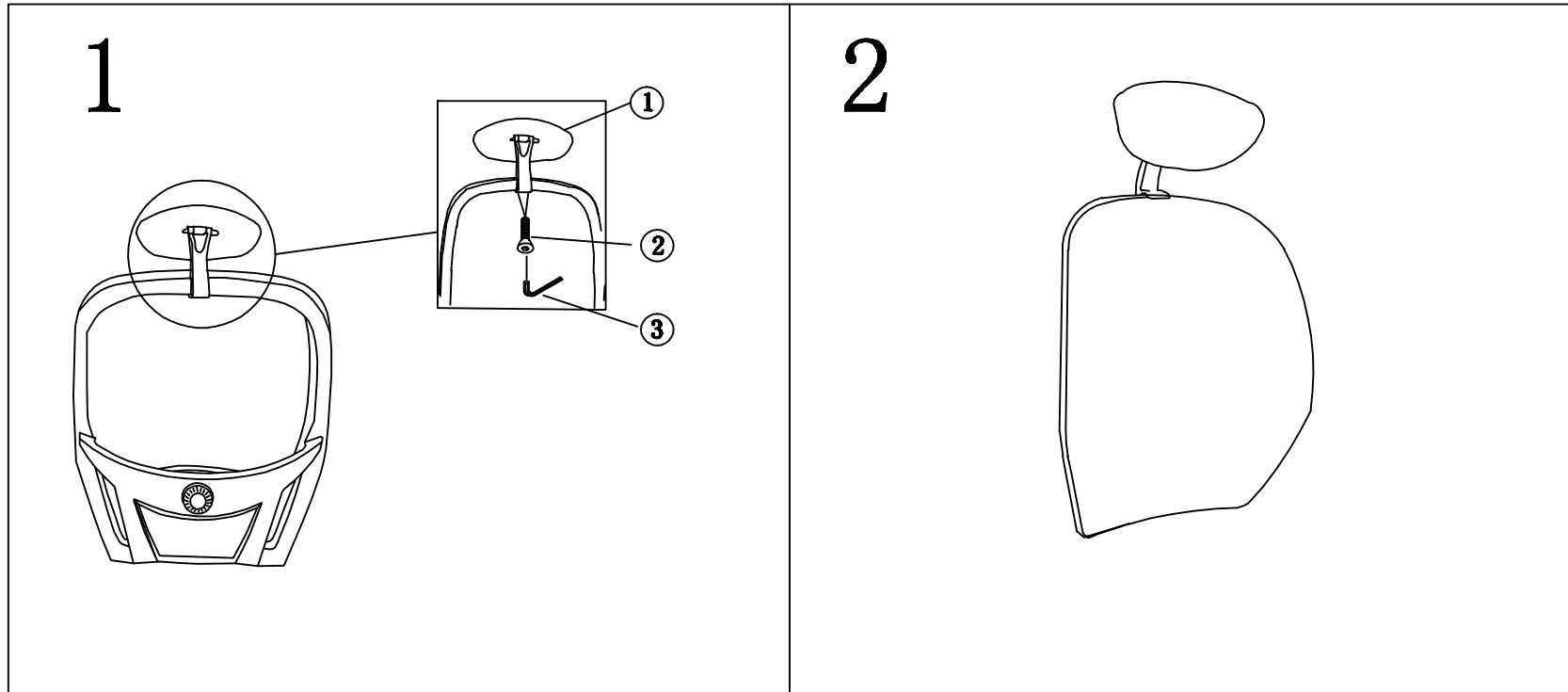


HEADREST



① HEADREST

② SCREW

③ ALLEN KEY

M5*20

M3



1 PC

2 PCS

1 PC

IMPORTANT NOTE - PLEASE ASSES ALL COMPONENTS PRIOR TO DISPOSAL OF PACKAGING AND ASSEMBLY OF CHAIR