

4-in-1 Convertible Crib & Changer



WARNING:

READ ALL WARNING & SAFETY INSTRUCTIONS BEFORE ASSEMBLING CRIB. KEEP INSTRUCTIONS WITH CRIB FOR FUTURE USE.

First remove hardware from box and sort by size. Check to see that all hardware and wooden pieces are present before assembling.

Follow instructions listed below in the proper sequence as numbered to assure fast, easy and correct assembly.

WARNING:

- DO NOT attempt to repair or modify parts with cracks or defects. Please contact us for immediate replacement.
- This product is for home use and is not intended for use in schools, day care centers or other commercial establishments.
- Must be assembled by a capable adult.

CRIB WARNING

WARNING

Failure to follow these warnings and the assembly instructions could result in serious injury or death.

- This crib conforms to applicable regulations promulgated by the Consumer Products Safety Commission.
- To reduce the risk of SIDS, pediatricians recommend healthy infants be placed on their backs to sleep, unless otherwise advised by your physician.
- DO NOT use a water mattress with this crib.
- If refinishing, use a non-toxic finish specified for children's products.
- Check fasteners periodically and never over tighten them, as this may cause distortion or breakage.
- Never use plastic shipping bags or other plastic film as mattress covers because they can cause suffocation.
- CAUTION: ANY MATTRESS USED IN THIS CRIB MUST BE AT LEAST 27-1/4 IN BY 51-5/8 IN (69CM X 131CM) WITH A THICKNESS THAT DOES NOT EXCEED 6 IN (15CM).
- Never leave child unattended inside crib. Remember that a crib is not a substitute for a parent's supervision.
- Parents should ensure a safe environment for their child by checking the crib regularly before placing the child in the products. Please make sure that every component is properly and securely in place.
- When a child is able to pull to a standing position, set the mattress to the lowest position and remove bumper pads, large toys and other objects that could serve as steps for climbing out.
- Infants can suffocate in gaps between crib sides and a mattress that is too small.
- Follow warnings on all products in a crib.

WARNING

Infants can suffocate on soft bedding.

Never add a pillow or comforter.

Never place additional padding under an infant.

Strangulation Hazard

- Strings can cause strangulation! Do not place items with a string around a child's neck, such as hood strings or pacifier cord. Do not suspend strings over a crib or attach strings to toys.
- To help prevent strangulation, tighten all fasteners. A child can trap parts of the body or clothing on loose fasteners.
- **DO NOT** place crib near windows where cords from blinds or drapes may strangle a child.

Fall Hazard

- When child is able to pull to a standing position, set mattress to lowest position and remove bumper pads, large toys and other objects that could serve as steps for climbing out.
- Stop using crib when child begins to climb out or reaches the height of 35 in. (89 cm).
- Check this product for damaged hardware, loose joints, loose bolts or other fasteners, missing parts, or sharp edges before and after assembly and frequently during use. Securely tighten loose bolts and other fasteners.

DO NOT use crib if any parts are missing, damaged or broken. Contact (AFG International Products Inc) for replacement parts and instructional literature if needed. DO NOT substitute parts.

Storage: The crib must be kept in a dry and clean area. Solid wood tends to exchange moisture with the surrounding air and reacts to major changes in temperature and humidity. The ideal environment for the crib is at a temperature between 65 and 75 degrees and a relative humidity between 35 and 40 percent. If the room is too humid, the crib will absorb moisture and expand; in verse, the crib will lose moisture and shrink in a dry environment. It is best to place your furniture away from heating or air-conditioning vents. Also, direct exposure to sunlight can discolor the wood, so do not place your product where it will receive prolonged sunlight exposure.

Care and Cleaning: Do not scratch or chip the finish. Do not use abrasive chemicals for cleaning. Clean with mild soap on a soft rag. Rinse and dry thoroughly. If you choose to refinish this furniture, be sure to use only a non-toxic finish specified for children products.

CHANGER WARNING

 **WARNING - KEEP THE INSTRUCTIONS FOR FUTURE USE**
SUFFOCATION HAZARD: BABIES HAVE SUFFOCATED WHILE SLEEPING ON CHANGING PADS.
CHANGING PADS ARE NOT DESIGNED FOR SAFE SLEEPING.

- **NEVER ALLOW BABY TO SLEEP ON CHANGING PAD.**

FALL HAZARD: CHILDREN HAVE SUFFERED SERIOUS INJURIES AFTER FALLING FROM CHANGING TABLES. FALLS CAN HAPPEN QUICKLY.

- **STAY WITHIN ARMS' REACH.**
- **NEVER LEAVE THE CHILD UNATTENDED.**
- **SECURE** THE CHILD IN THE RESTRAINT WHEN USING CHANGER.
- **KEEP** THE CHILD IN VIEW WHILE CHILD IS IN THE CHANGER.
- **STOP** USING THE CHANGER WHEN THE CHILD IS ABLE TO SIT UP OR ROLL OVER.
- **PERIODICALLY** CHECK FOR LOOSE OR WORN PARTS, TIGHTEN, REPAIR, OR REPLACE AS NEEDED.
- THIS PRODUCT IS FOR RESIDENTIAL USE ONLY. ANY INSTITUTIONAL USE IS STRICTLY PROHIBITED.
- **CAN ONLY** RETAIN CHILD WITH MAXIMUM WEIGHT UP TO 30 LBS.
- **ALWAYS** SECURE CHANGING PAD TO THE CHANGER SURFACE BY FASTENING THE BELTS.
- **DO NOT** USE CHANGING TABLE, ADD-ON CHANGING UNIT, OR CONTOURED CHANGING PAD IF IT IS DAMAGED OR BROKEN.
- THIS PRODUCT IS NOT INTENDED TO BE USED AS A CHANGING TABLE WITHOUT FASTENING SUOIRES RO HTAED NI TLUSER YAM SIHT TUOHTIW TCUDORP EHT FO ESU .TLEB YTEFAS EHT GNISU DNA GNIHCATTA NO SNOITCURTSNI LLA WOLLOF .GNILLAF MORF DLIHC RUOY OT YRUJNI .TLEB YTEFAS EHT EHT GNIKCEHC YB DLIHC RIEHT ROF TNEMNORIVNE EFAS A ERUSNE DLUOHS TNERAP ERUS EKAM ESAELP .TCUDORP EHT NI DLIHC GNICALP EROFEB YLLUFERAC ERUTINRUF .ECALP NI YLERUCES DNA YLREPORP SI TNENOPMOC YREVE

⚠️ Strangulation Hazard

- Strings can cause strangulation! Do not place items with a string around a child's neck, such as hood strings or pacifier cord. Do not suspend strings over a crib or attach strings to toys.
- To help prevent strangulation, tighten all fasteners. A child can trap parts of the body or clothing on loose fasteners.
- DO NOT place crib near windows where cords from blinds or drapes may strangle a child.
- Keep wall decorations, especially those with strings, completely out of a child's reach.

⚠️ Fall Hazard

- When child is able to pull to standing position, set mattress to lowest position and remove bumper pads, large toys and other objects that could serve as steps for climbing out.
- Stop using crib when child begins to climb out or reaches the heights of 35 in. (89cm).
- Check this product for damaged hardware, loose joints, loose bolts or other fasteners, missing parts, or sharp edges before and after assembly and frequently during use. Securely tighten loose bolts and other fasteners. DO NOT use crib if any parts are missing, damaged or broken. Contact for replacement parts and instructional literature if needed. DO NOT substitute parts.

Storage: The crib must be kept in a dry and clean area. Solid wood tends to exchange moisture with the surrounding air and reacts to major changes in temperature and humidity. It is best to place your furniture away from heating or air-conditioning vents. Direct exposure to sunlight can discolor the wood, so do not place your product where it will receive prolonged sunlight exposure.

Care and Cleaning: Do not scratch or chip the finish. Do not use abrasive chemicals for cleaning. Clean with mild soap on a soft rag. Rinse and dry thoroughly. If you choose to refinish this furniture, be sure to use only a non-toxic finish specified for children's products.

Toddler Bed Warnings (Toddler Guard Rail is Sold Separately)

⚠️ WARNING ENTRAPMENTS STRANGULATIONS HAZARD

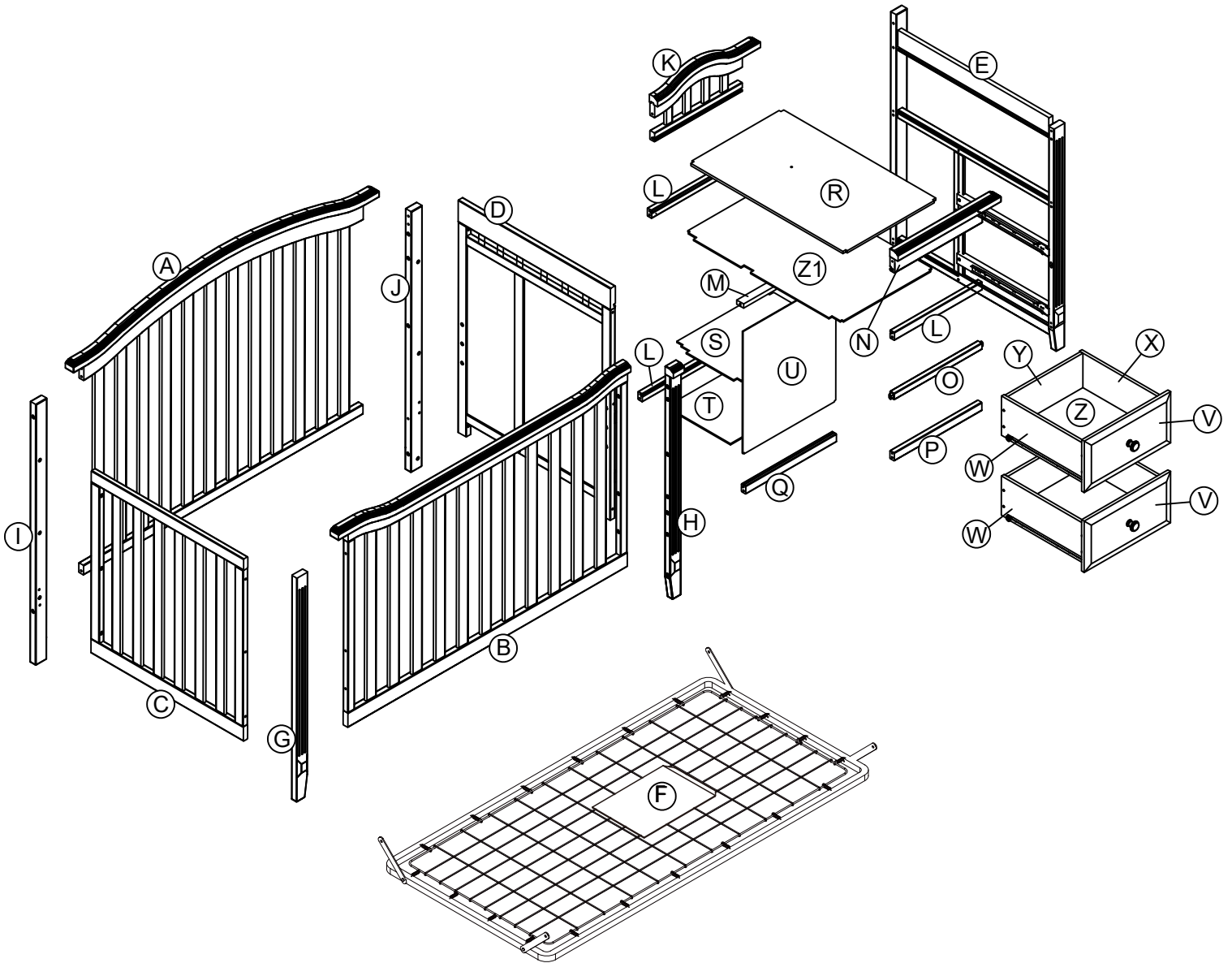
Infants have died in toddler beds from entrapment and strangulation.

Failure to follow these warnings and assembly instructions could result in serious injury or death.

- The mattress intended for use on the bed shall be a full size crib mattress having a minimum dimensions 51-5/8 inches (1310mm) in length and 27-1/4 inches (690mm) in width and 4 inches (100mm) in thickness.
- The minimum age for a child using this toddler bed shall not be less than 15 months and the maximum weight shall not be greater than 50 lbs. (22.7 kg)
- DO NOT use with less than 12 inches of space between the toddler bed and solid objects such as a wall or dresser. Child could slide into smaller space and suffocate.
- NEVER place bed near window where cords from blinds or drapes may strangle a child.
- Strings can cause strangulation! DO NOT place items with a string around a child's neck, such as hood strings or pacifier cords. DO NOT suspend strings over a crib or attach strings to toys.
- DO NOT use a water mattress.
- DO NOT use casters on toddler bed.
- DO NOT suspend strings over a toddler bed for any reason.
- If guardrails are provided as the mattress containment means, guardrail(s) provided must be used to avoid the formation of a gap between the mattress and the bed that could cause entrapment. If mattress retention clips are provided they must be used to restrict mattress movement.

Crib Parts

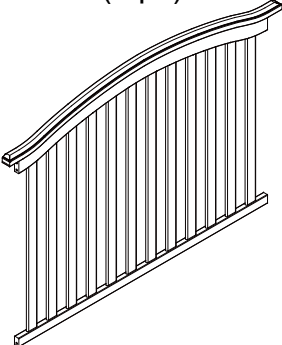
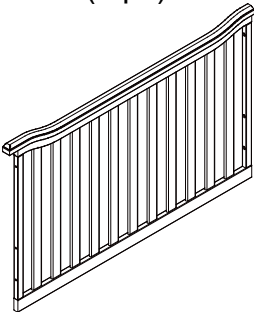
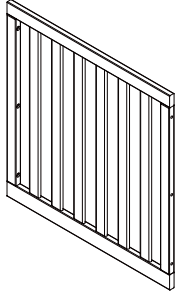
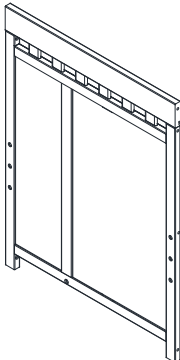
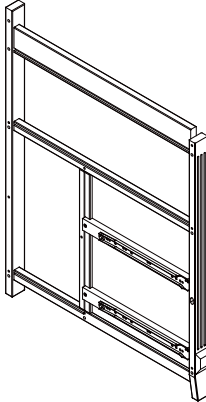
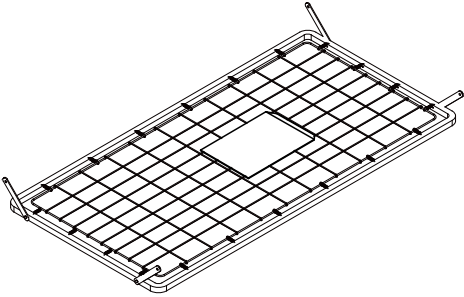



Please follow this Parts Diagram to make sure all crib parts are assembled in the correct position.



Crib Parts Identification Sheet

DO NOT assemble crib if parts and hardware are defective or missing.
Contact for exchange or keep the original box for return authorization.

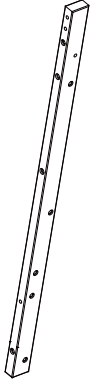
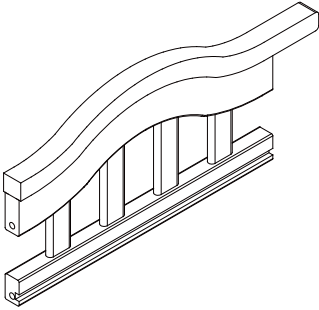
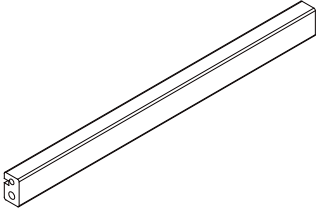
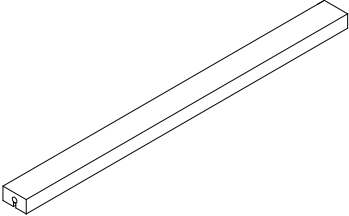
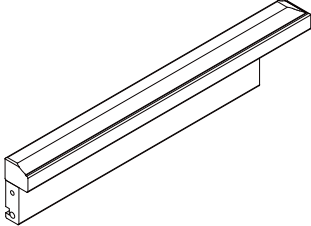
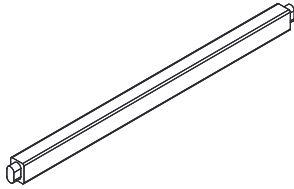
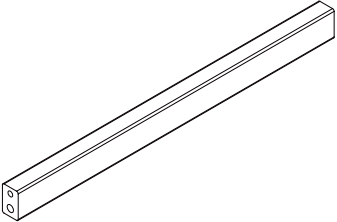
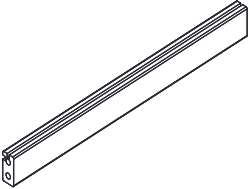
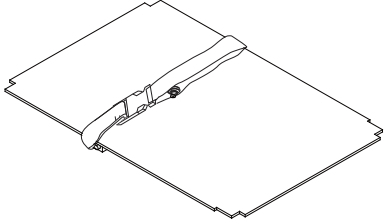
~ Crib Assembly Parts

| | | |
|---|---|--|
| <p>A. Headboard (1 pc)</p>  | <p>B. Footboard (1 pc)</p>  | <p>C. Left side panel (1 pc)</p>  |
| <p>D. Middle Panel (1 pc)</p>  | <p>E. Right Panel (1 pc)</p>  | <p>F. Mattress Support (1 pc)</p>  |
| <p>G. Left Front Leg (1 pc)</p>  | <p>H. Middle Front Leg (1 pc)</p>  | <p>I. Left Back Leg (1 pc)</p>  |

Crib Parts Identification Sheet

DO NOT assemble crib if parts and hardware are defective or missing.
Contact for exchange or keep the original box for return authorization.

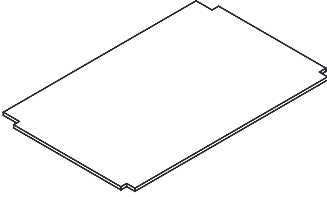
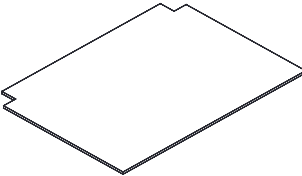
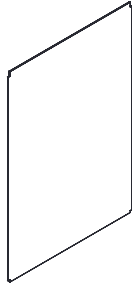
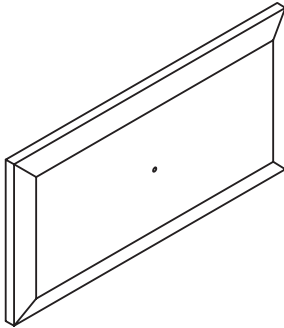
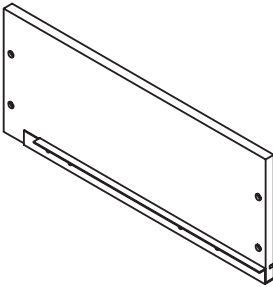
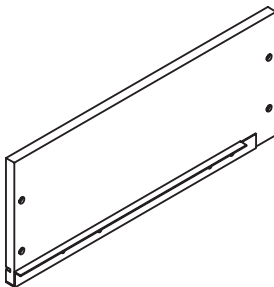
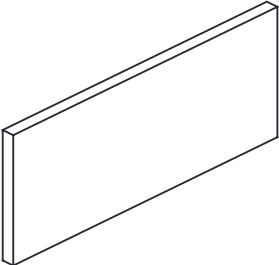

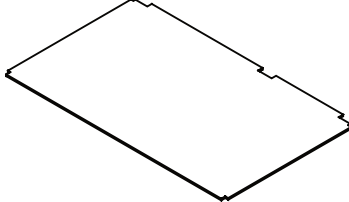
~ Crib Assembly Parts

| | | |
|--|--|---|
| <p>J. Middle Back Leg (1 pc)</p>  A long, thin, rectangular wooden leg with several small circular holes along its length, shown at an angle. | <p>K. Dresser back Panel (1 pc)</p>  A curved wooden panel with a decorative, wavy top edge and a base with several vertical supports, shown at an angle. | <p>L. Middle Bar (3 pc)</p>  A long, thin, rectangular wooden bar with a slightly curved top edge, shown at an angle. |
| <p>M. Middle up Bar (1 pc)</p>  A long, thin, rectangular wooden bar with a slightly curved top edge, shown at an angle. | <p>N. Front Up Bar (1 pc)</p>  A long, thin, rectangular wooden bar with a slightly curved top edge and a small notch on the side, shown at an angle. | <p>O. Front Middle Bar (1 pc)</p>  A long, thin, rectangular wooden bar with a slightly curved top edge, shown at an angle. |
| <p>P. Front Bottom Bar (1 pc)</p>  A long, thin, rectangular wooden bar with a slightly curved top edge, shown at an angle. | <p>Q. Middle Bottom Bar (1 pc)</p>  A long, thin, rectangular wooden bar with a slightly curved top edge, shown at an angle. | <p>R. Changer top Shelf (1 pc)</p>  A rectangular wooden shelf with a curved front edge and a small metal fastener on the side, shown at an angle. |

Crib Parts Identification Sheet

DO NOT assemble crib if parts and hardware are defective or missing.
Contact for exchange or keep the original box for return authorization.

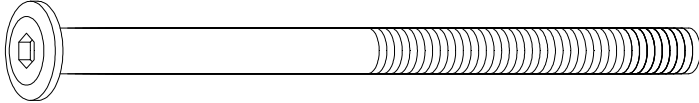
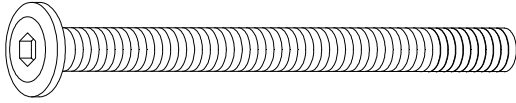
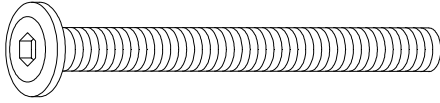
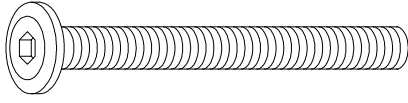
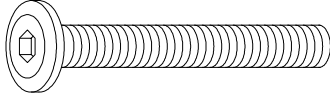
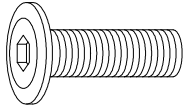
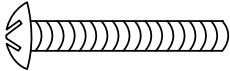
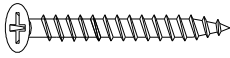
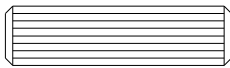
~ Crib Assembly Parts

| | | |
|---|--|---|
| <p>S. Back Shelf (1 pc)</p>  | <p>T. Back Bottom Shelf (1 pc)</p>  | <p>U. Changer Middle Panel (1 pc)</p>  |
| <p>V. Drawer Front (2 pcs)</p>  | <p>W. Drawer Left (2 pcs)</p>  | <p>X. Drawer Right (2 pcs)</p>  |
| <p>Y. Drawer back (2 pcs)</p>  | <p>Z. Drawer Bottom (2 pcs)</p>  | <p>Z1. Middle Shelf (1 pc)</p>  |

Crib Hardware Identification Sheet

DO NOT assemble crib if parts and hardware are defective or missing.
Contact for exchange or keep the original box for return authorization.


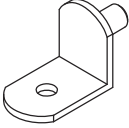

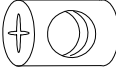
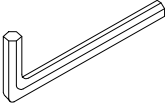
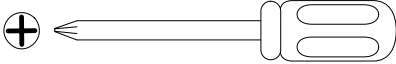
~ Crib Assembly Hardware

| Item # | Fittings | Qty |
|----------------------|---|----------|
| 1. Bolt M6 x 85mm |  | (4 pcs) |
| 2. Bolt M6 x 60mm |  | (16 pcs) |
| 3. Bolt M6 x 50mm |  | (12 pcs) |
| 4. Bolt M6 x 45mm |  | (6 pcs) |
| 5. Bolt M6 x 35mm |  | (3 pcs) |
| 6. Bolt M6 x 17mm |  | (4 pcs) |
| 7. Bolt M4 x 26mm |  | (2 pcs) |
| 8. 25mm Wooden Screw |  | (16 pcs) |
| 9. Wood Dowel 8*30mm |  | (3 pcs) |

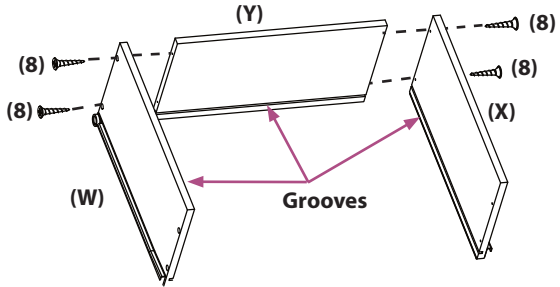
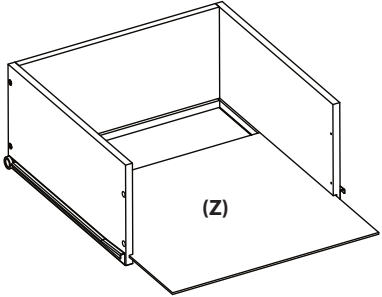
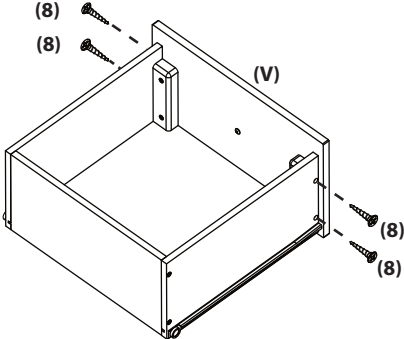
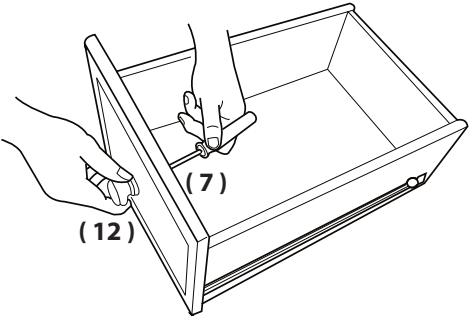
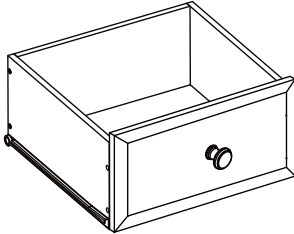
Crib Hardware Identification Sheet

DO NOT assemble crib if parts and hardware are defective or missing.
Contact for exchange or keep the original box for return authorization.

~ Crib Assembly Hardware

| | | |
|--------------------------|--|----------|
| 10. Wood Dowel 6*30mm |  | (14 pcs) |
| 11. Metal Shelf Support |  | (4 pcs) |
| 12. Drawer Knob |  | (2 pcs) |
| 13. Barrel Nut |  | (4 pcs) |
| 14. Wrench |  | (1 pc) |
| 15. PHILLIPS SCREWDRIVER |  | (1 pc) |

Drawer Assembly Sheet

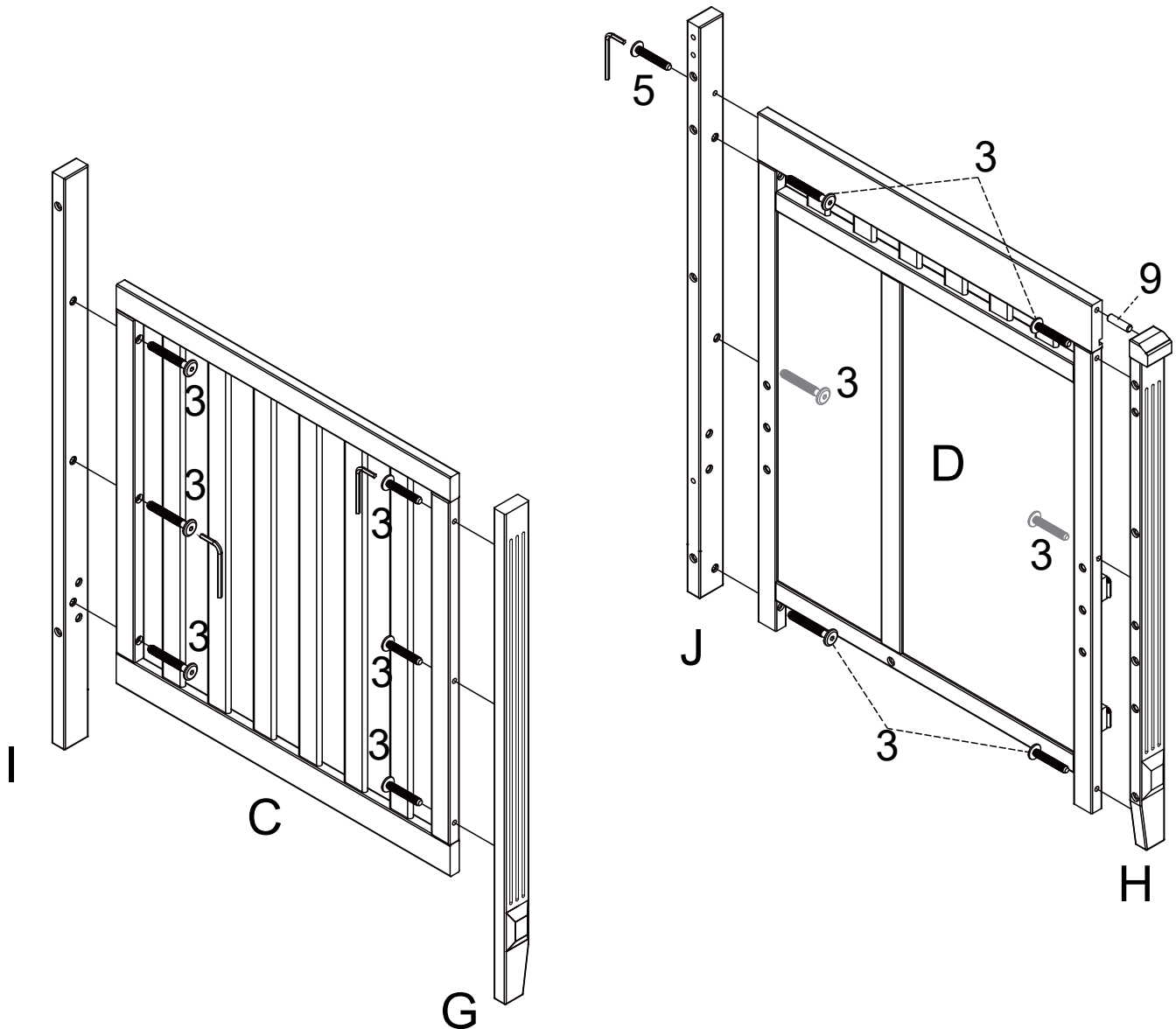
| | |
|---|---|
|  | <p>Drawer STEP 1:</p> <p>Attach Drawer Left (W) and Drawer Right (X) to drawer back (Y) using four screws (#8). Make sure drawer tracks are facing outwards.</p> |
|  | <p>Drawer STEP 2:</p> <p>Insert Drawer Bottom (Z) into the grooves.</p> |
|  | <p>Drawer STEP 3:</p> <p>Attach Drawer Front (V) to the front side of the drawer using four screws (#8).</p> |
|  | <p>Drawer STEP 4:</p> <p>Install Drawer Knob (#12) to Drawer Front (V) using one bolts (#7).</p> |
|  | <p>Finish.</p> <p>Repeat for all drawers.</p> |

Crib Assembly Sheet

STEP 1:

a. Attach Left Side Panel (C) to Left Back Leg (I) and Left Front Leg (G) using 6 Bolts (#3). Tighten firmly to secure the legs to the Left Side Panel.

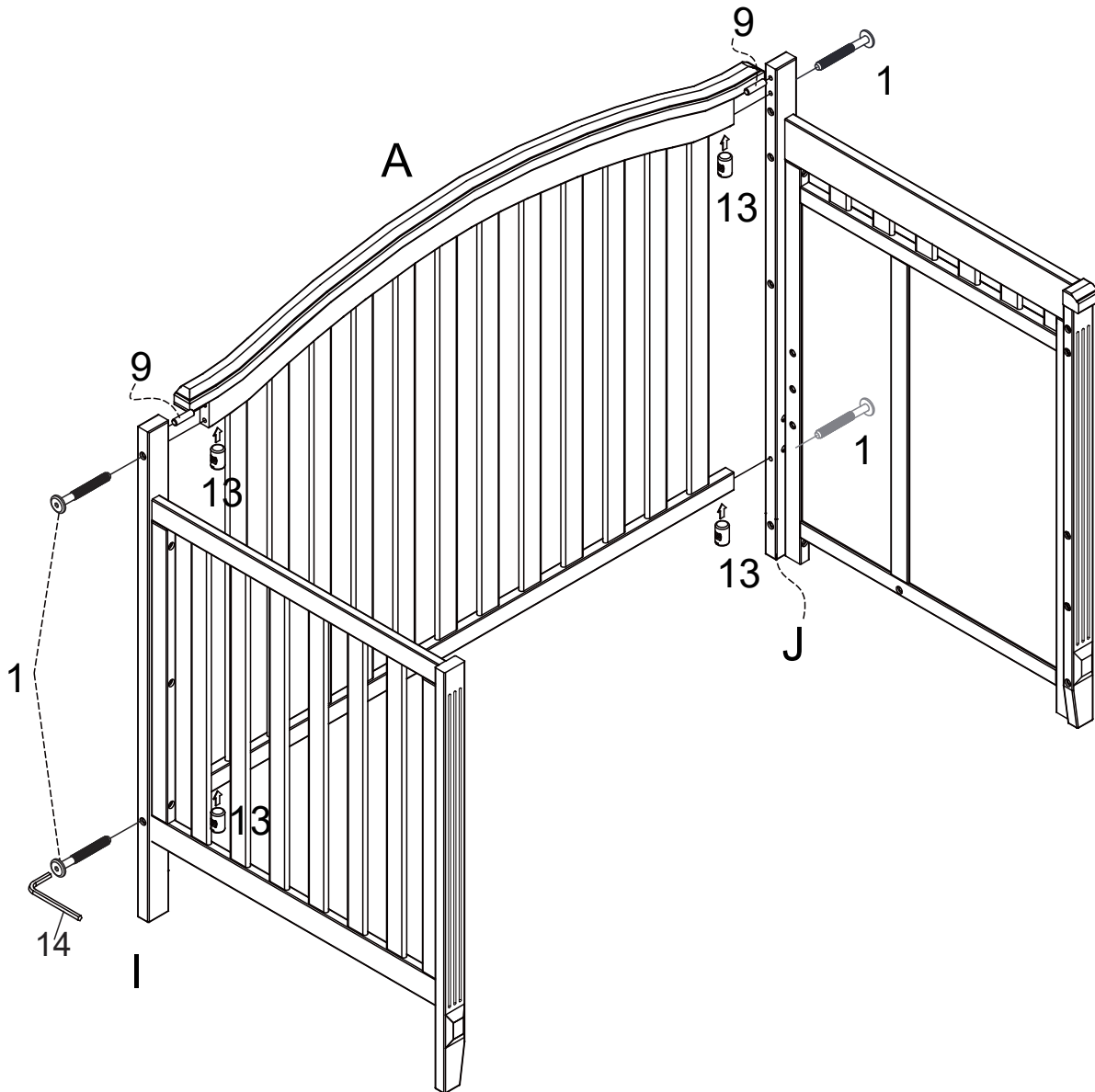
b. Proceed to attach the Middle Back Leg (J) and Middle Front Leg (H) to the Middle Panel (D). Use 6 Bolts (#3) , 1 Wood Dowel(#9) and 1 Bolt (#5) to secure the parts together.



Crib Assembly Sheet

STEP 2:

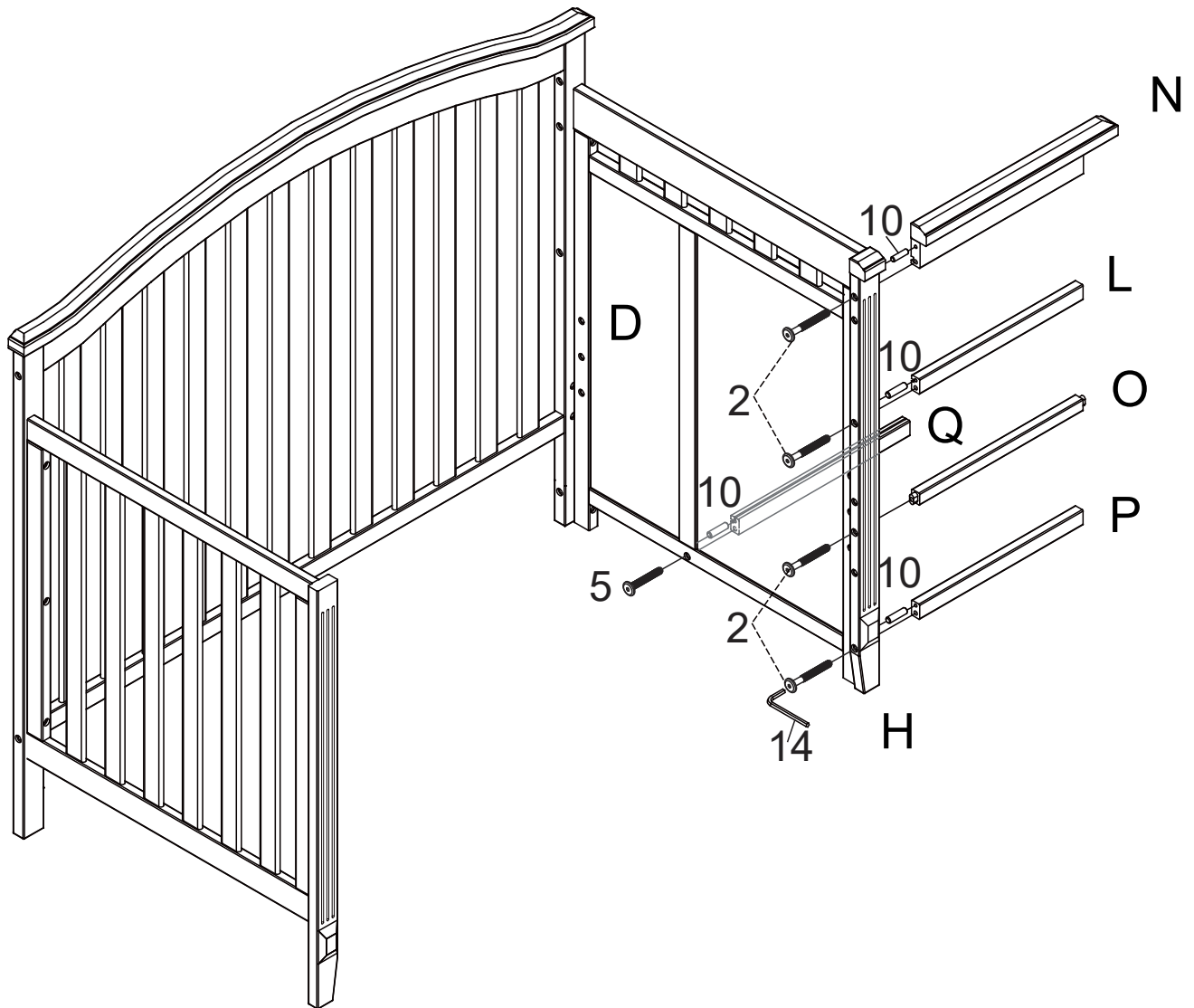
- a. Insert 2 Wood Dowel (#9) into the dowel holes in the ends of the Headboard (A).
- b. Put 4 Barrel Nuts (#13) into the holes located on the underside of the Headboard. Use 4 Bolts (#1) to attach Left Back Leg (I) and Middle Back Leg (J) to the Headboard (A).



Crib Assembly Sheet

STEP 3:

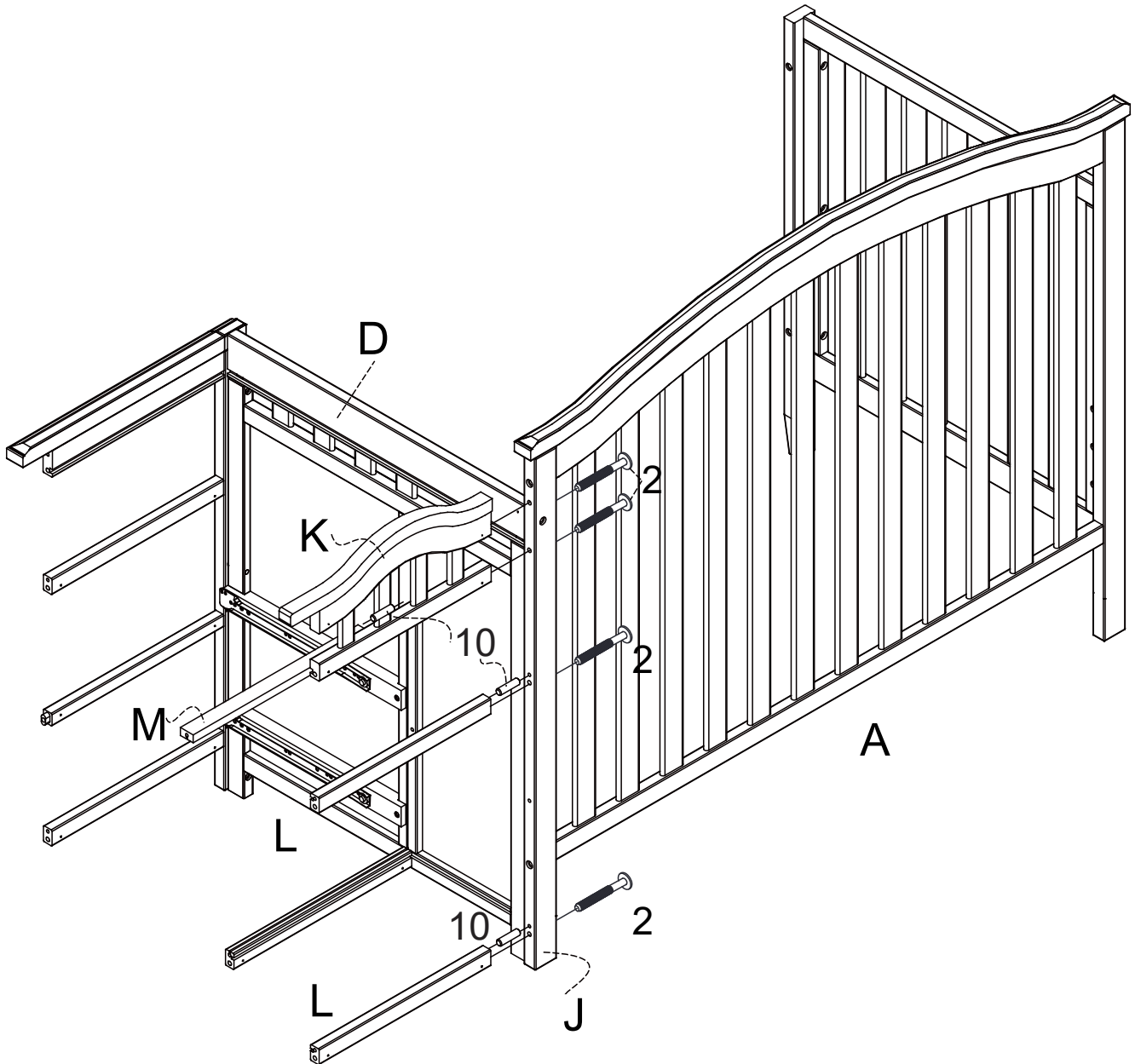
- a. Attach Front Bottom Bar (P), Front Middle Bar (O), Middle Bar (L) and Front Up Bar (N) to Middle Front Leg (H), using 3 Wood Dowel (#10) and 4 Bolts(#2). Tighten with Wrench (#14).
- b. Attach Middle Bottom Bar(Q) to Middle panel(D), Using 1 wood dowel (#10) and 1 Bolt(#5). Tighten with Wrench (#14).



Crib Assembly Sheet

STEP 4:

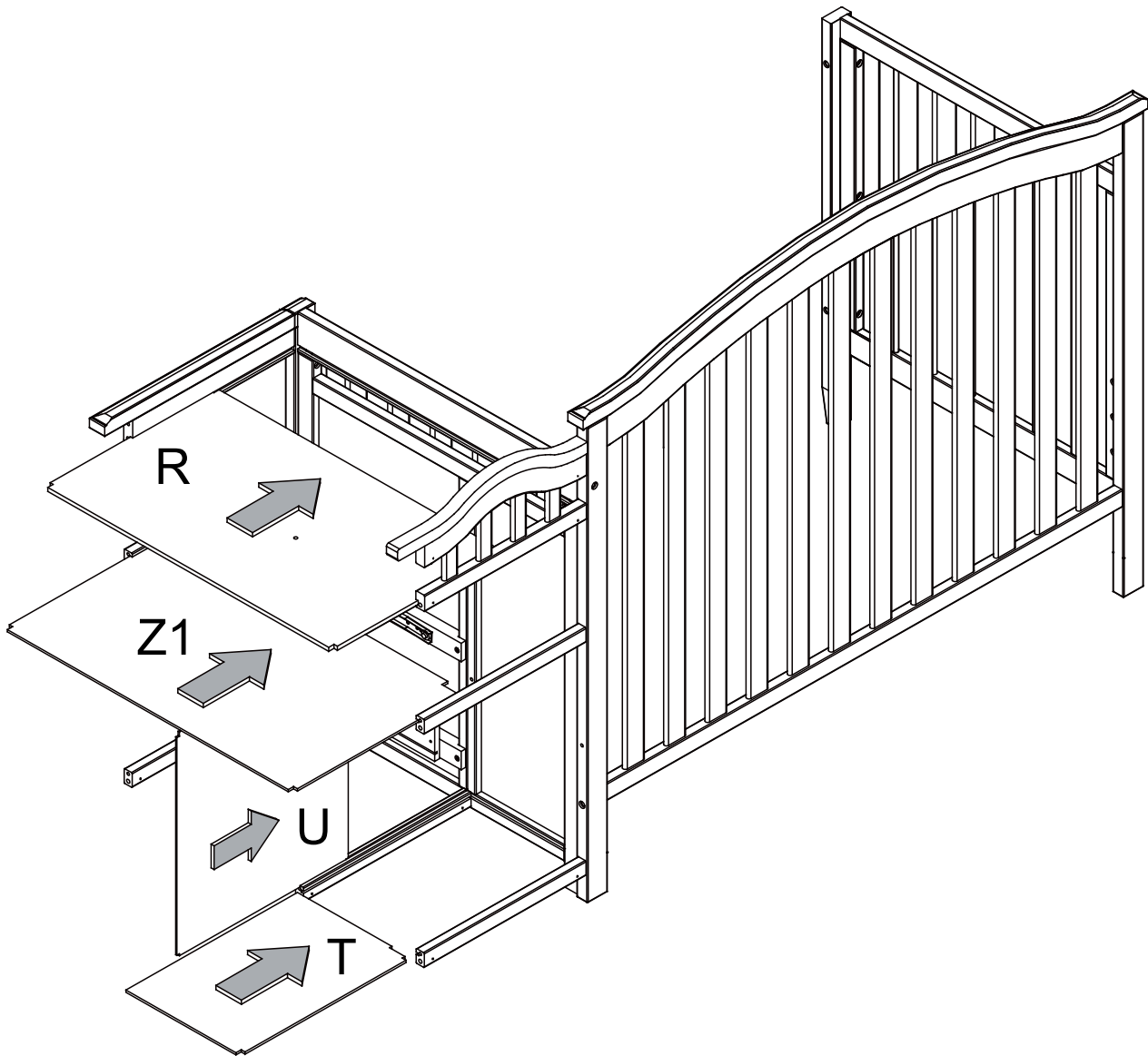
- a. Attach Dresser Back Panel (K) to Middle Back Leg (J) using 2 Bolts (#2). Tighten with Wrench(#14).
- b. Attach 2 Middle Bar (L) to Middle Back Leg (J), using 2 Bolts (#2) and 2 Wood Dowel(#10). Tighten with Wrench(#14).
- c. Attach Middle Up Bar (M) to Middle Panel (D), using 1 Wood Dowel(#10).



Crib Assembly Sheet

STEP 5:

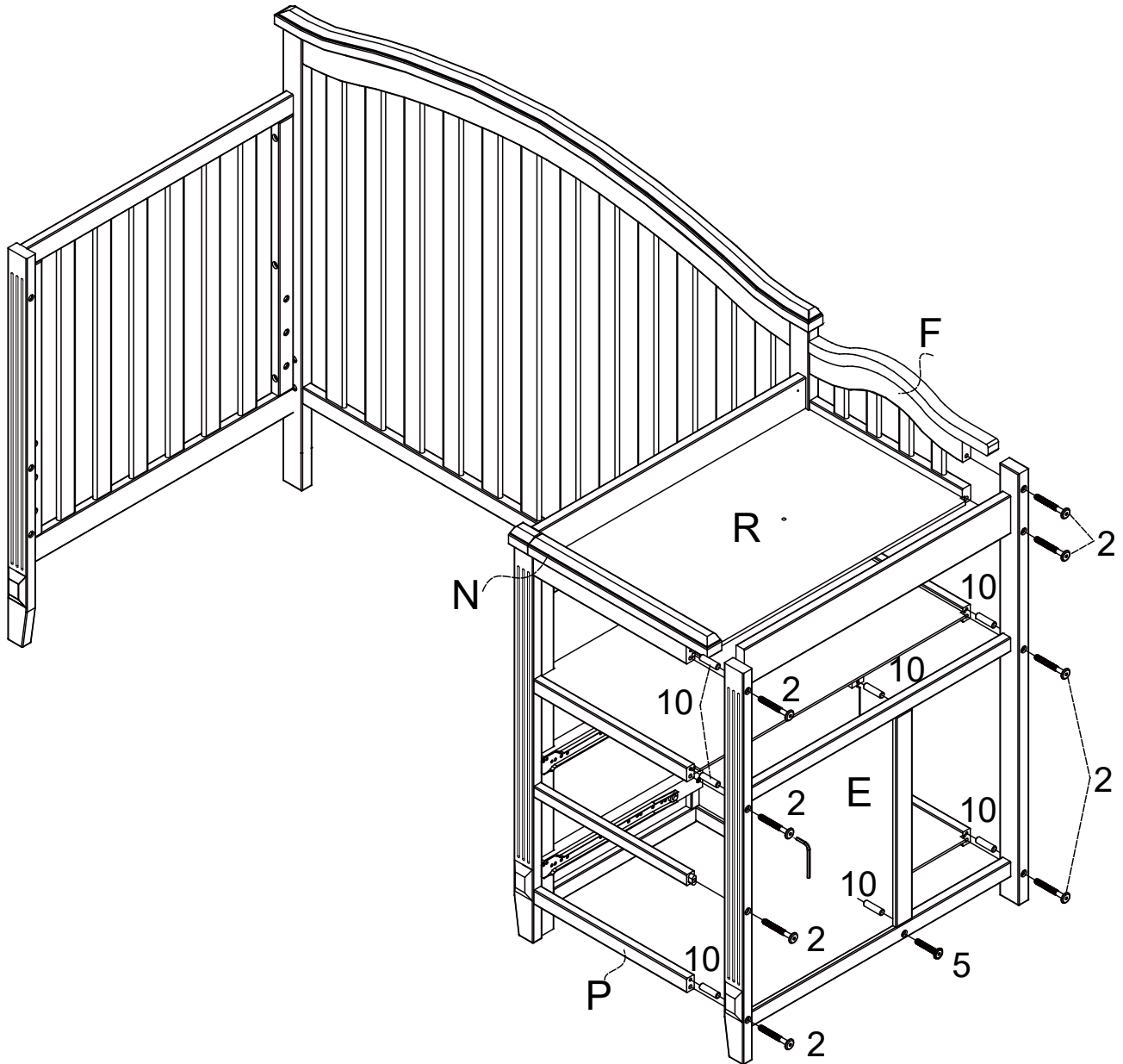
- a. Insert Changer Top Shelf (R), Middle shelf (Z1), and Back Bottom Shelf (T) to the bar grooves.
- b. Insert Changer Middle Panel (U) to bar grooves.



Crib Assembly Sheet

STEP 6:

Attach Dresser Right Panel (E) to end of the crib, using 8 Bolts (#2), 1 Bolt (#5) and 7 Wood Dowel (#10). Tighten bolts with Wrench(#14).



Crib Assembly Sheet

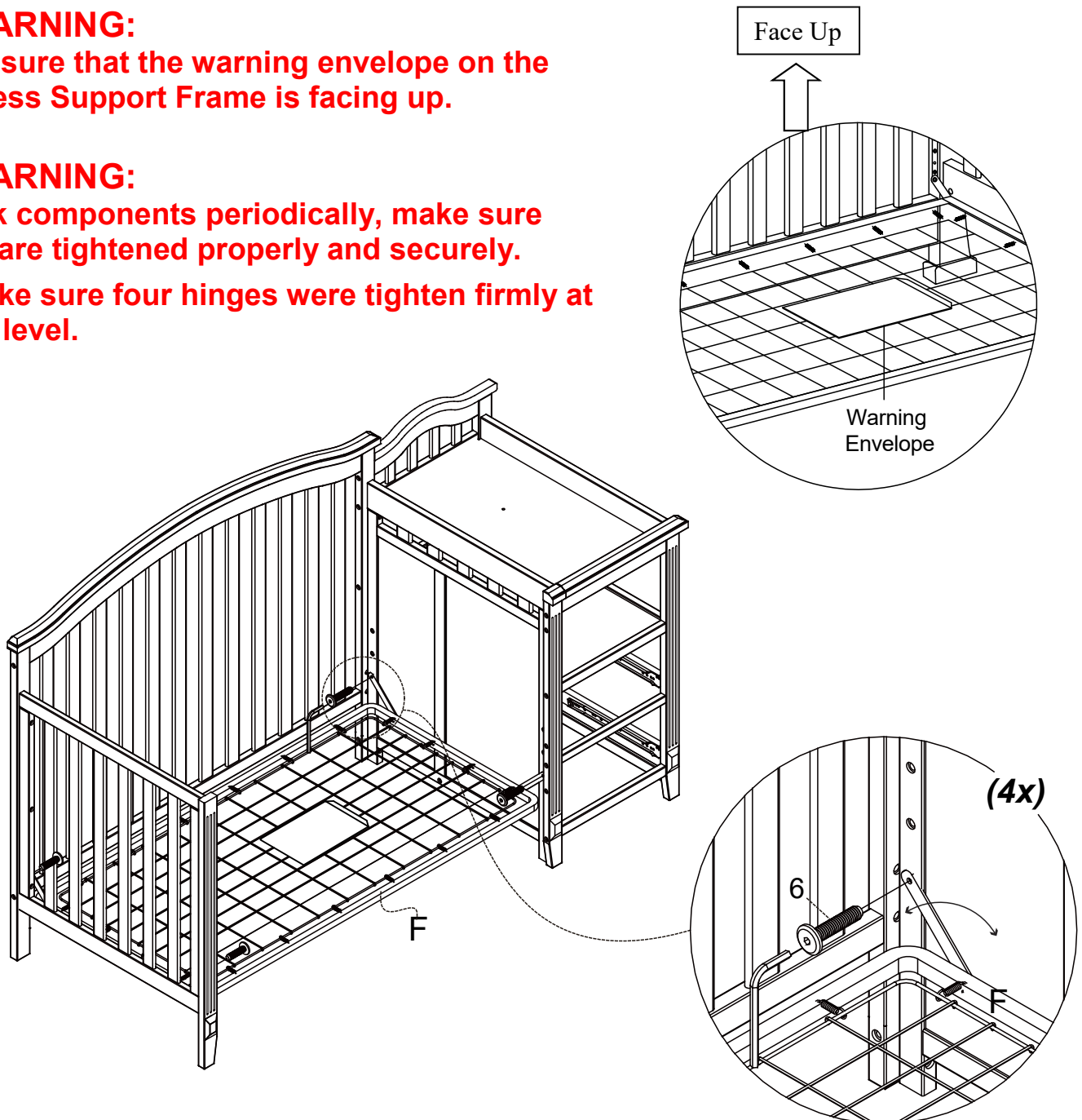
STEP 7

- a. Attach Mattress Support (F) flat side up by swinging out the four hangers at the corners of the mattress support and use 4 Bolts (#6) to attach hangers to the hole on each leg. Make sure the Mattress Support (F) is on an even level on all four corners.

⚠️ WARNING:
Make sure that the warning envelope on the Mattress Support Frame is facing up.

⚠️ WARNING:
Check components periodically, make sure bolts are tightened properly and securely.

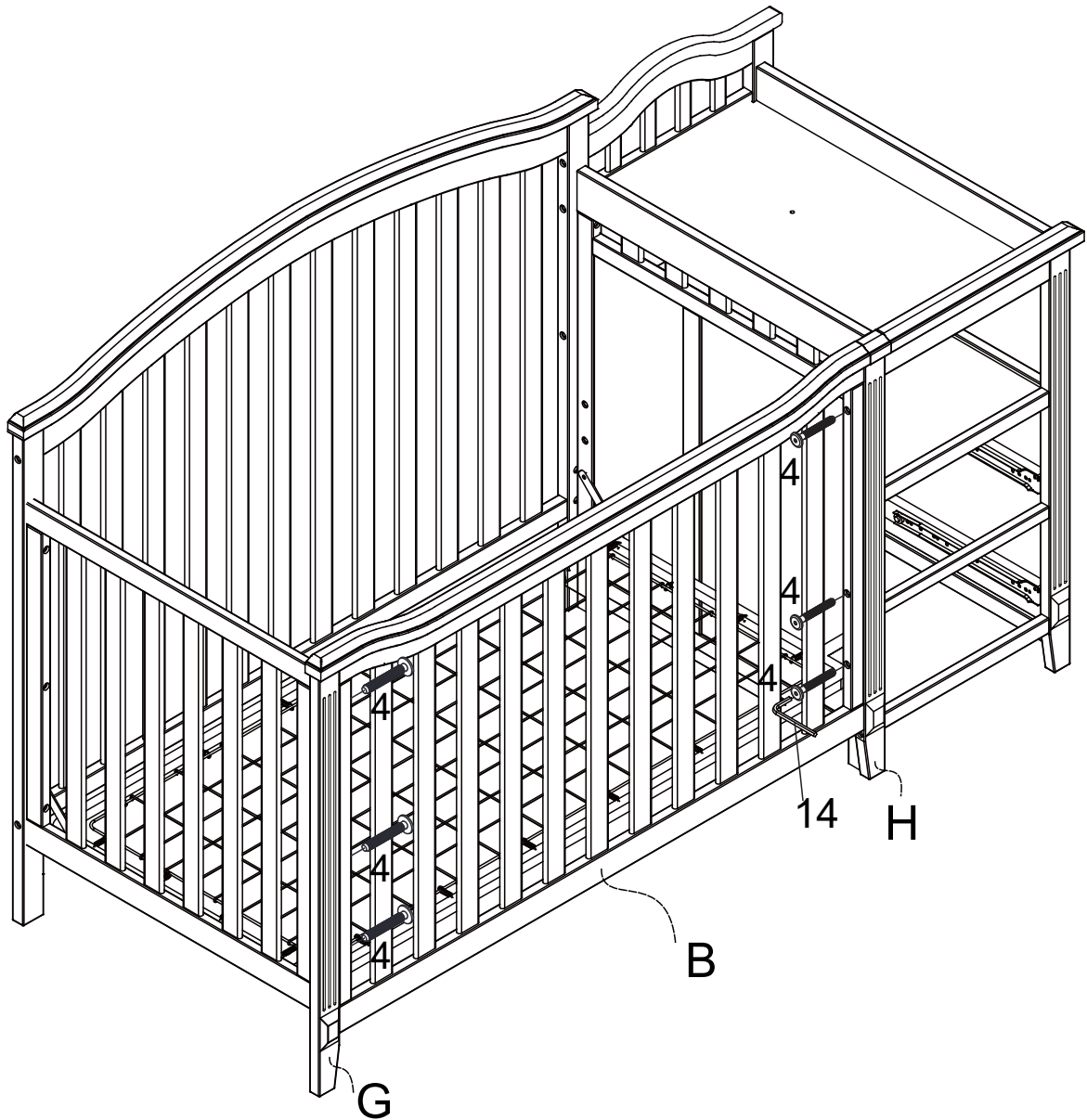
⚠️ Make sure four hinges were tighten firmly at even level.



Crib Assembly Sheet

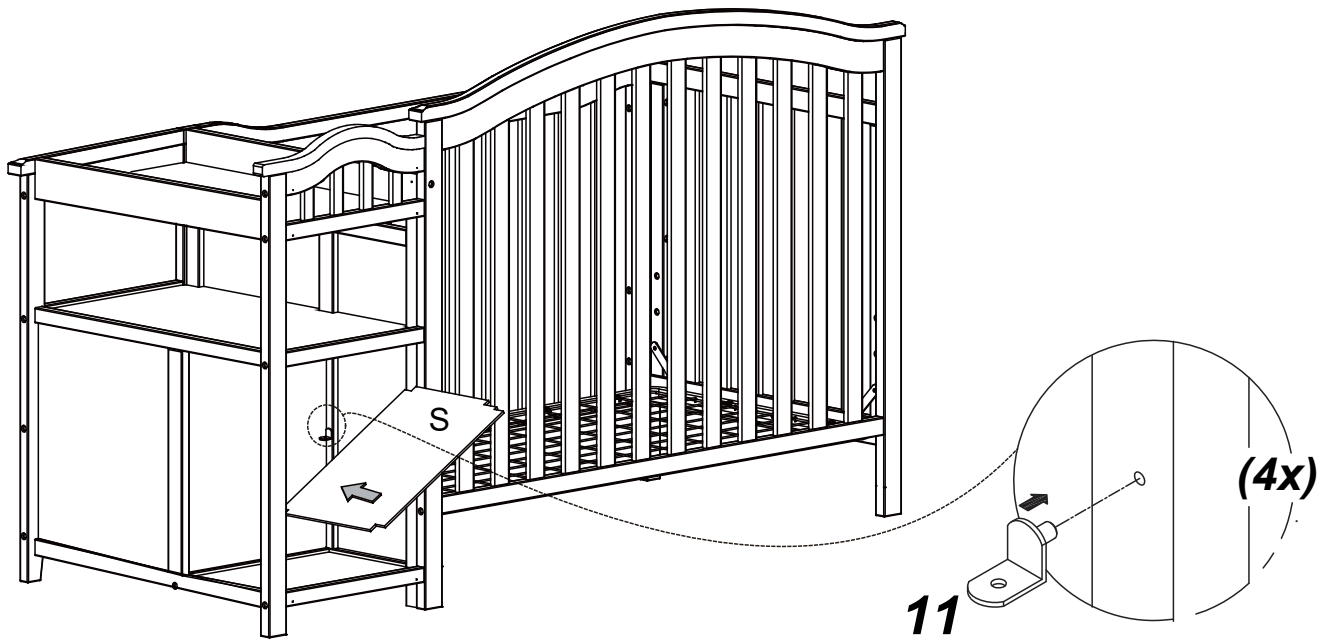
STEP 8

- a. Attach Footboard (B) to the Left Front Leg (G), tighten Footboard (B) to Left Front Leg (G) by using 3 Bolts (#4).
- b. Attach Footboard (B) to the Middle Front Leg(H), tighten Footboard (B) to Middle Front Leg (H) by using 3 Bolts (#4).

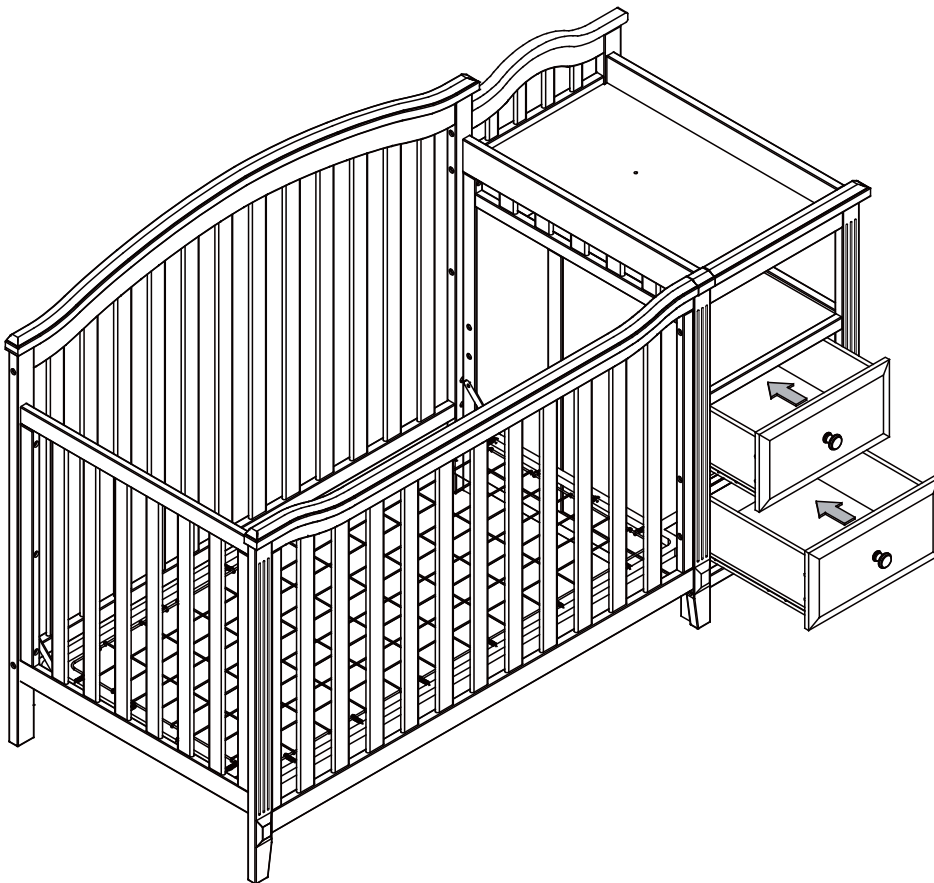


Crib Assembly Sheet

- a. Insert 4 metal shelf supports (#11) into the holes located in the corners of the bottom compartment behind the crib. Put Back Shelf (S) on top of metal shelf supports.



- a. Insert the two drawers into the changer.

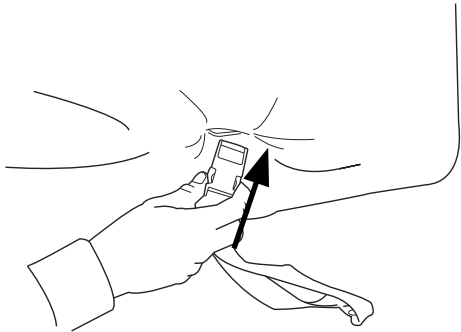


Crib Assembly Sheet

Crib & Changer assembly Completed

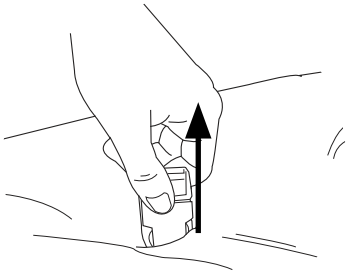


Changing Pad Assembly



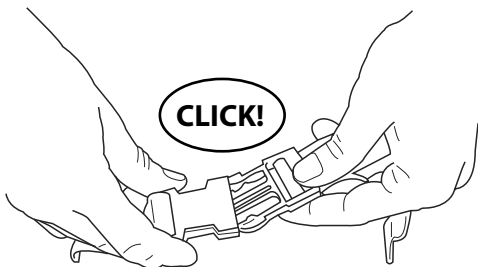
STEP 1:

Locate safety belt bolted to dresser top. Insert safety belt through slit in changing pad from back of pad.



STEP 2:

Pull through front of pad completely. Make sure pad is facing up and warnings are always visible.

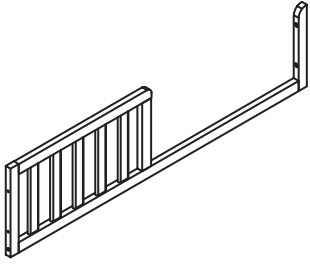


STEP 3:

Make sure that safety belt is fastened around child, and adjusted so safety belt is snug around child's mid-section. Make sure buckle is securely latched.

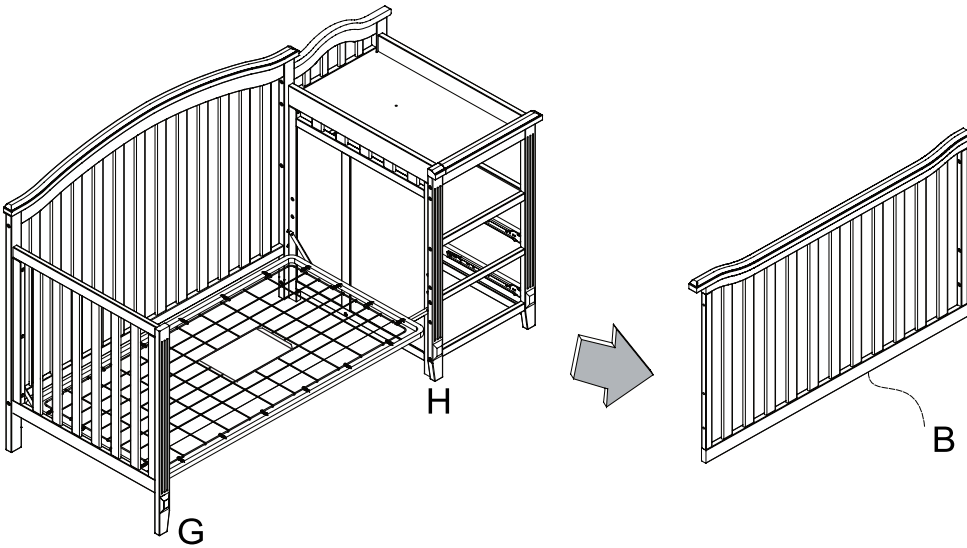
Toddler Bed Assembly Sheet

F1. Toddler Rail (1 pc) (Not Included, **Sold Separately*)



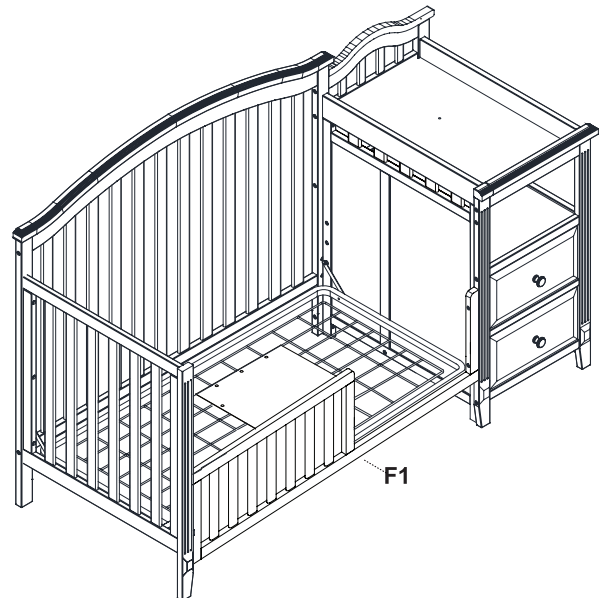
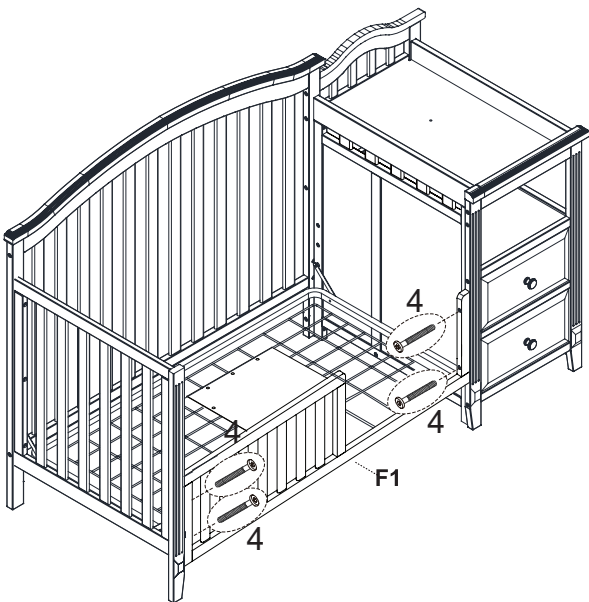
4. Bolt M6x45mm  (4 pcs)

***Mattress Support Assembly must be in the lowest position before converting to toddler bed.**
Loosen the 6 Bolts (#4) attaching the Footboard (B) to the Left Front Leg (G) and Middle Front Leg (H).
Remove Footboard (B).



Attach Toddler Rail (F1) to Crib using 4 Bolts (#4).

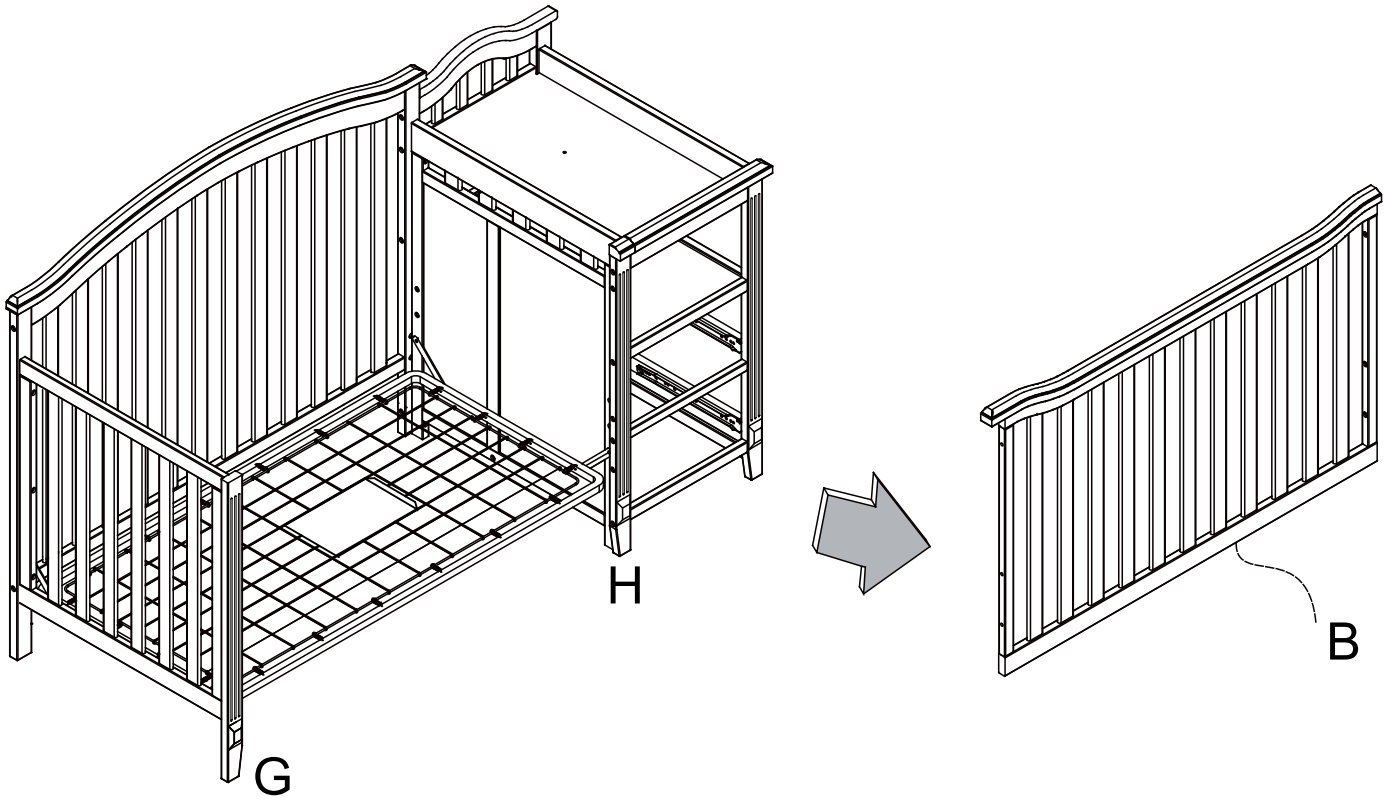
Toddler Bed Complete.



Day Bed Assembly Sheet

***Mattress Support Assembly must be in the lowest position before converting to day bed.**

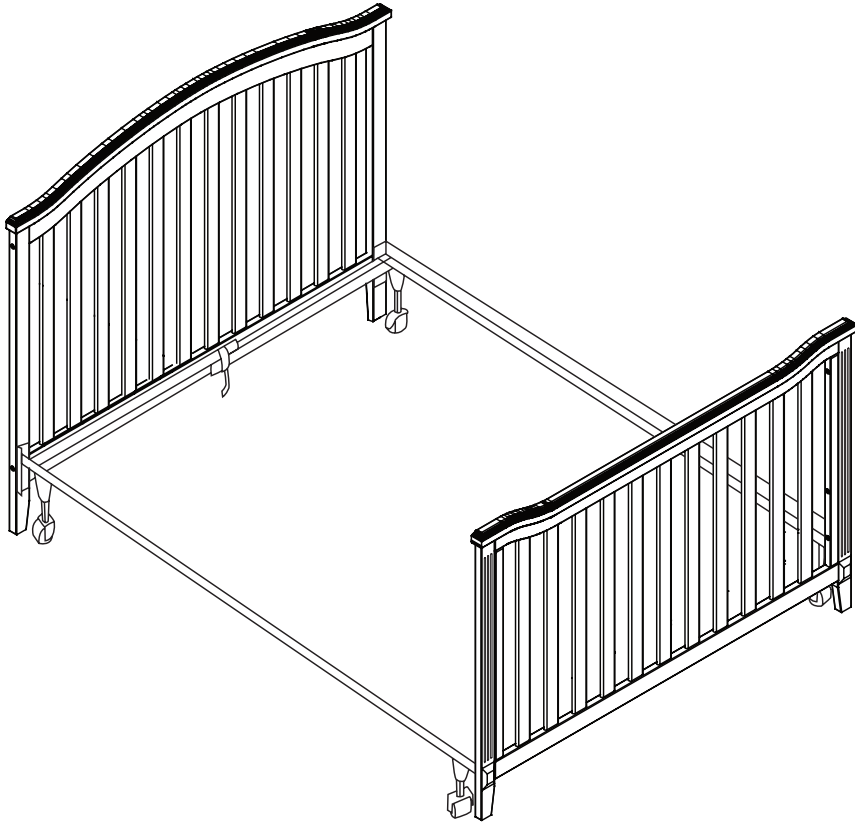
- a. Loosen the 6 Bolts (#4) attaching the Footboard (B) to the Left Front Leg (G) and Middle Front Leg (H). Remove Footboard (B).



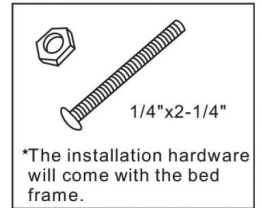
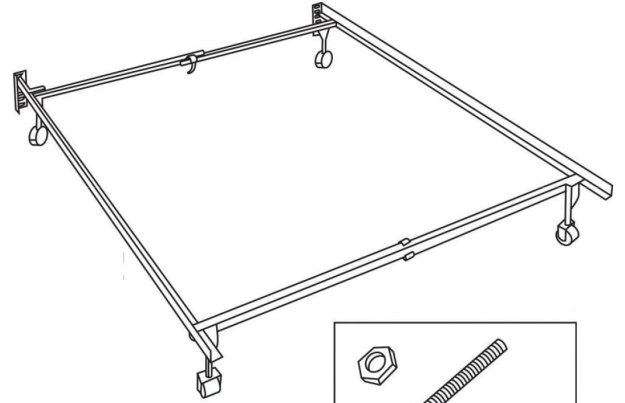
Daybed Complete.



Full Size Bed Assembly Sheet



***Fullsize Bed Rails not Included**



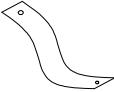
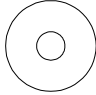
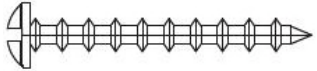


Changer Unit Wall Safety Strap



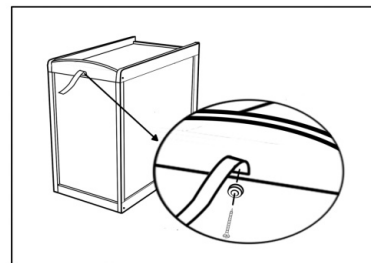
WARNING: WHEN UPRIGHT, IT IS POSSIBLE THAT THE FURNITURE MAY TIP OVER. FOR YOUR CHILD'S SAFETY, PLEASE INSTALL THE SAFETY WALL STRAP BEHIND THE FURNITURE.

- **TOOLS NECESSARY: RUBBER MALLET, PHILLIPS SCREW DRIVER.**
- **TOOLS AND HARDWARE SHOWN ARE NOT INCLUDED.**

PLEASE READ ALL INSTRUCTIONS CAREFULLY BEFORE USING THIS PRODUCT AND KEEP THESE INSTRUCTIONS FOR FUTURE REFERENCE.

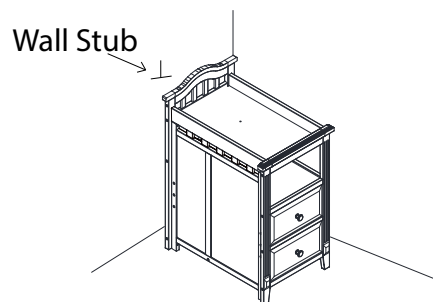
| | | |
|---|---|---|
| <p>Safety Wall Strap 6" x 1" (1 pc)</p>  | <p>Washer (2 pcs)</p>  | <p>Screw D4 x 1-3/8" (1 pc)</p>  |
| <p>Screw D4 x 5/8" (1 pc)</p>  | <p>Wall Stud (1 pc)</p>  | |

STEP 1: Make a mark near the top of the back side of the furniture (in the center toward the top frame of the furniture of where you would like to install the safety wall strap). Insert the short screw through the washer and through the safety wall strap. Install the screw into where the mark was made behind the furniture using a Phillips screw driver.



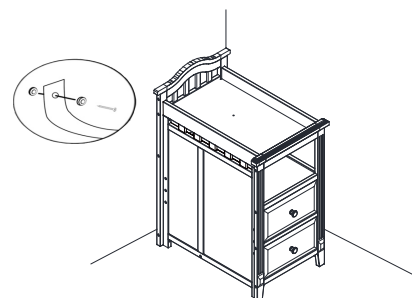
STEP 2: Locate a wall stud. With the back of the furniture against the wall, locate the middle of the top of the dresser and make a mark against the wall. Measure 5cm down from the mark and drill a 1/8" pilot hole through the wall stud and into the plaster wall.

CAUTION: The changer unit must be centered on a wall stud as shown. If you are unsure of how to locate the wall stud, contact a professional contractor.



STEP 3: Attach the wall strap to the wall stud using the long 1-3/8" screw and washer as shown. Make sure strap holds steady and complete installation.

CAUTION: Do not attempt to screw into the plaster wall only. You must screw into a wall stud.



Product Assistance Procedures

Please also provide pictures of the issue whenever possible. This will help us understand and assist you with your problem.

*Acceptable Proof of Purchase includes, but not limited to, your Online Purchase Confirmation Email, a screenshot of the purchase history of the online retailer, or a receipt from your local store.

Our warranty extends only to the original purchaser and is non transferable. Warranty is valid only when the proof of purchase can be provided.

Please retain a copy of your purchase records for future inquires.

**All of our baby products come with an identification sticker. This is a white sticker that contains all the product information of the item.

For cribs, the identification sticker is generally located near the bottom of the crib's side rails, the toddler guardrail, or the stabilizer bar.

For changing tables, the identification sticker is located on the top panel of the changing unit.

Under no circumstances should you remove any warning labels from the product. These labels are meant to be permanent and removing them may damage the wood and void your warranty.

Safety Tips for Assembling and Re-assembling Cribs

- Parents should not use any crib with missing, broken or loose hardware parts. Crib slats or spindles should be spaced no more than 2-3/8" apart, and none should be loose or missing. NEVER use a crib with corner posts over 1/16" of an inch above the end panels (unless they are over 16" high for a canopy).
- Check this product for damaged hardware, loose joints, loose bolts or other fasteners, missing parts, or sharp edges before and after assembly and frequently during use. Securely tighten loose bolts and other fasteners. DO NOT use crib if any parts are missing, damaged or broken. Contact for replacement parts and instructional literature if needed. DO NOT substitute parts.
- Never place infants to sleep on pillows, sofa cushions, adult beds, waterbeds, beanbags, or any other surface not specifically designed for infant sleep.
- Always check all sides and corners of the crib to assure proper assembly with no openings that may entrap a child. The crib mattress should fit snugly with no more than two fingers width, one-inch, between the edge of the mattress and the crib side. Otherwise, the baby can get trapped between the mattress and the side of the crib.
- Do not try to repair any side of the crib without manufacturer-approved hardware.
- Putting a broken side up against the wall is not a solution and can often make the situation worse.
- When re-assembling the crib for your second child, please keep in mind that the screw holes will need to be filled in order for the screws to grip to the wood. Talk to your local hardware store or lumberyard about how to do it properly.

One year limited warranty

We want you to be satisfied with any product that bears the name or logo. We will provide promptly, at the request of the retailer, and without charge, any missing parts that have been reported, with proper description, within 7 days of the purchase of the products. Our warranty guarantees optimal workmanship and lack of significant defects. The product warranty lasts a year from the date of your purchase. Please keep the original receipt so that we may process your one year limited warranty request. This warranty only covers new units with original packaging. Ownership of the warranty is non-transferable. The warranty does not cover any used, second-hand, or demo models. Our obligation under this warranty is to replace or repair the merchandise, at our option, free of charge. This warranty does not cover any damaged or defective parts that result from normal wear and tear, abuse, negligence, improper use or alteration to the finish design, and hardware. Specific rights issued by this warranty may vary from state to state. Some states do not allow limitations on how long implied warranties last. DO NOT return products to the store once a product is used, it cannot be resold and the materials and energy invested in the product would go to waste. In the event that determines that a defect that may result from customer abuse or misuse, we will contact you with information about services and methods to prevent occurrences. We strongly recommend you register your product with our company by filling out registration and mailing it back to us. This ensures you are up-to-date with our products' maintenance and information.

This warranty does not cover damage caused by accident, misuse or any use other than as intended and described in this assembly sheet or damage resulting from failure to maintain and clean this product as specified in this assembly sheet. This warranty applies only to the original purchaser of the product.

CAUTION! Safety Tips for Use of Cribs

Many older cribs, including secondhand or second use cribs, may not meet all current safety standards. For baby's safety, even if you are on a tight budget, you should not purchase a used crib at a garage sale or accept a hand-me-down that does not meet the most recent Federal and ASTM standards.

Thank you for choosing