

Assembly Instructions



Dimensions

Width - 130CM
Depth - 30CM
Height - 81.5CM

Important – Please read these instructions fully before starting assembly

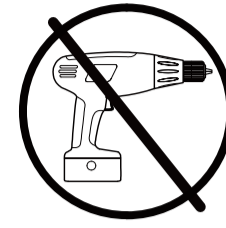


Safety and Care Advice

Important – Please read these instructions fully before starting assembly

- Check you have all the components and tools listed on the following pages.
- Remove all fittings from the plastic bags and separate them into their groups.
- Keep children and animals away from the work area, small parts could choke if swallowed.
- Make sure you have enough space to layout the parts before starting.

- During assembly do not stand or put weight on the product, this could cause damage.
- Assemble the item as close to its final position (in the same room) as possible.
- Assemble on a soft level surface to avoid damaging the unit or your floor.
- Parts of the assembly will be easier with 2 people.



- To reduce the likelihood of damaging your product please ensure that your power drill is set on a low torque setting.

Care and maintenance

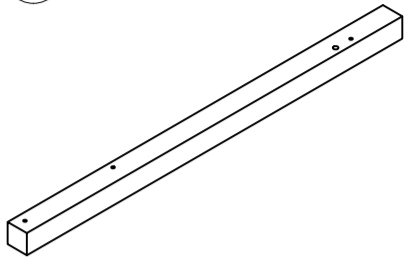
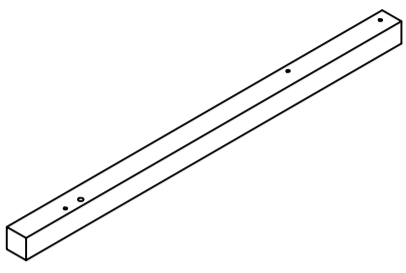
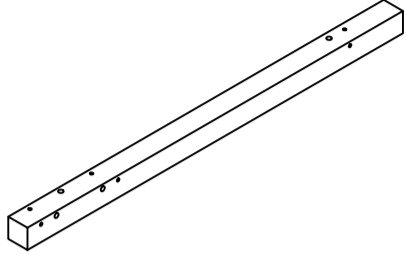
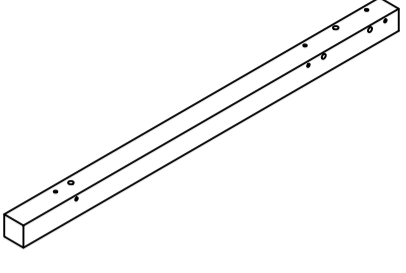
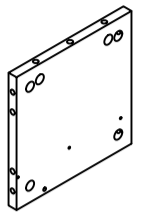
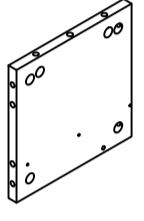
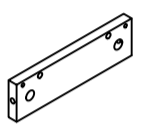
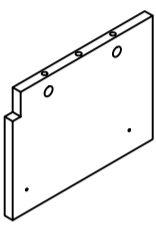
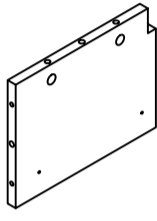
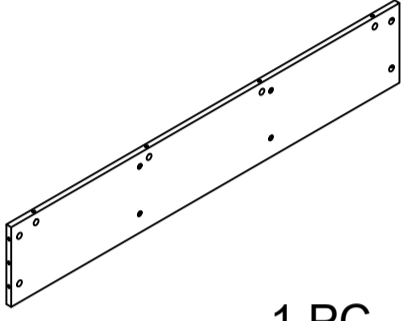
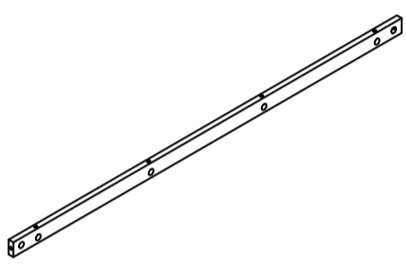
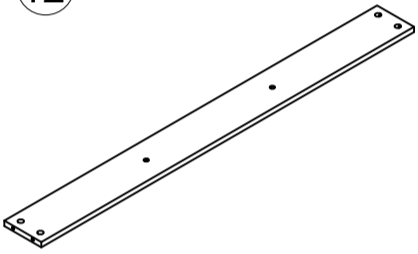
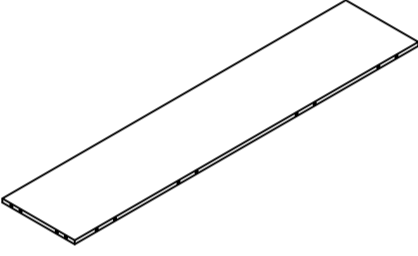
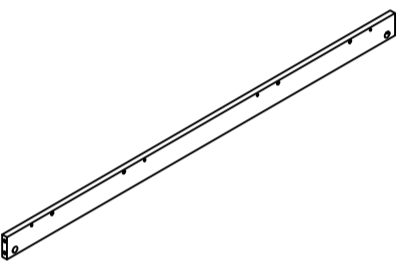
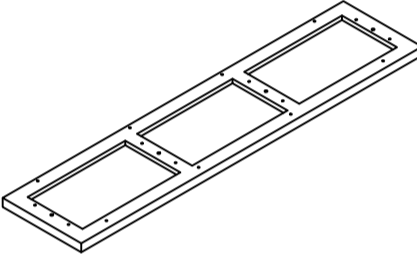
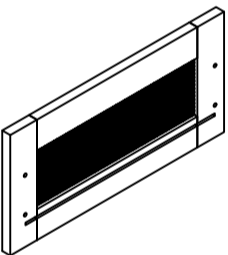
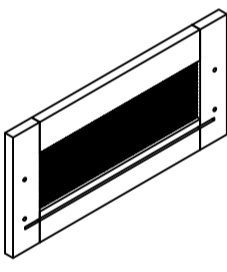
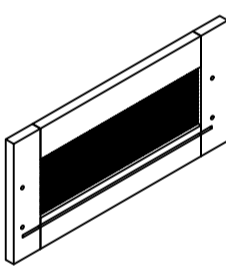
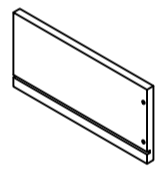
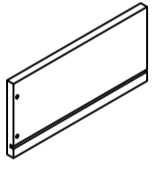
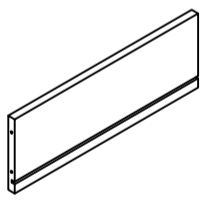
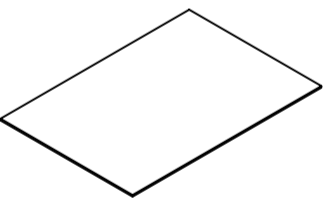
- Only clean using a damp cloth and mild detergent, do not use bleach or abrasive cleaners.
- From time to time check that there are no loose screws on this unit.
- This product should not be discarded with household waste. Take to your local authority waste disposal centre.

Handy Hints

- Assemble all parts and bolts loosely during assembly, only once the product is complete should you fully tighten the bolts
- Regularly check and ensure That all bolts and fittings are tightened properly.

Components - Panels

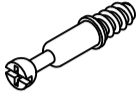

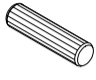
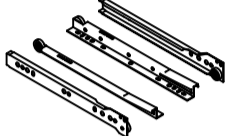

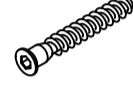

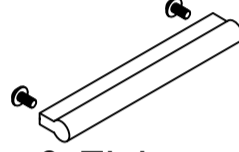
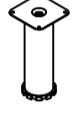
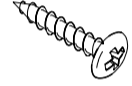
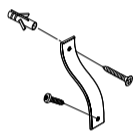


Please check you have all the panels listed below

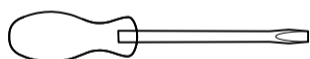
<p>①</p>  <p>1 PC</p>	<p>②</p>  <p>1 PC</p>	<p>③</p>  <p>1 PC</p>	<p>④</p>  <p>1 PC</p>	<p>⑤</p>  <p>1 PC</p>
<p>⑥</p>  <p>1 PC</p>	<p>⑦</p>  <p>2 PCS</p>	<p>⑧</p>  <p>1 PC</p>	<p>⑨</p>  <p>1 PC</p>	<p>⑩</p>  <p>1 PC</p>
<p>⑪</p>  <p>1 PC</p>	<p>⑫</p>  <p>1 PC</p>	<p>⑬</p>  <p>1 PC</p>	<p>⑭</p>  <p>2 PCS</p>	<p>⑮</p>  <p>1 PC</p>
<p>⑯</p>  <p>1 PC</p>	<p>⑰</p>  <p>1 PC</p>	<p>⑱</p>  <p>1 PC</p>	<p>⑲</p>  <p>3 PCS</p>	<p>⑳</p>  <p>3 PCS</p>
<p>㉑</p>  <p>3 PCS</p>	<p>㉒</p>  <p>3PCS</p>			

Components - Fittings

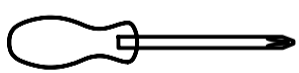
Please check you have all the panels listed below

Note: The quantities below are the correct amount to complete the assembly. In some cases more fittings may be supplied than are required.

A  Male Camlock x 66	B  Female Camlock x 66	C  Dowel x 34
D  Drawer slider 10" X 3	E  3*12mm Screw x 24	F  6*48mm Screw x 6
G  4*30mm Screw x 12	H  Handle & Fixings x 3	I  Adjustable Foot x 1
J  4*12mm Screw x 4	K  Wall Fixing Pack x 2	L  Protective Feet x 4
 M4 x 1		

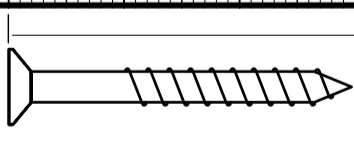
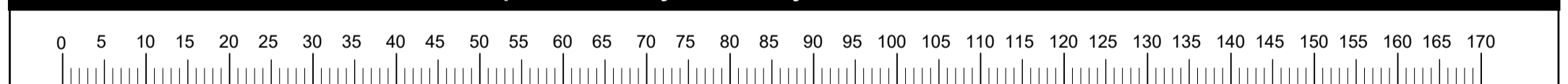


Tools required



Phillips screwdriver
(medium & large)

Ruler - Use this ruler to help correctly identify the screws

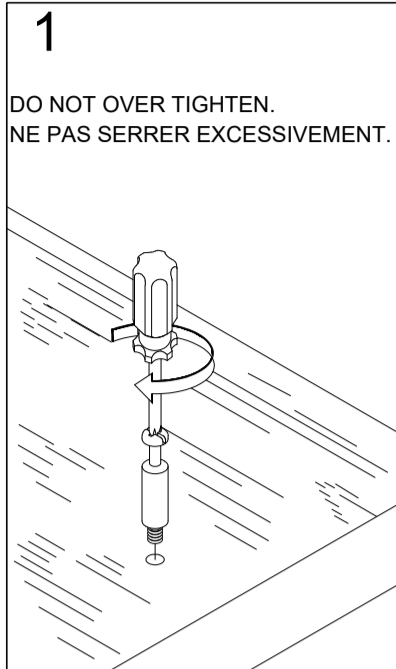


The screws length is measured from the head to the point (35mm screw shown).

Using Camlocks

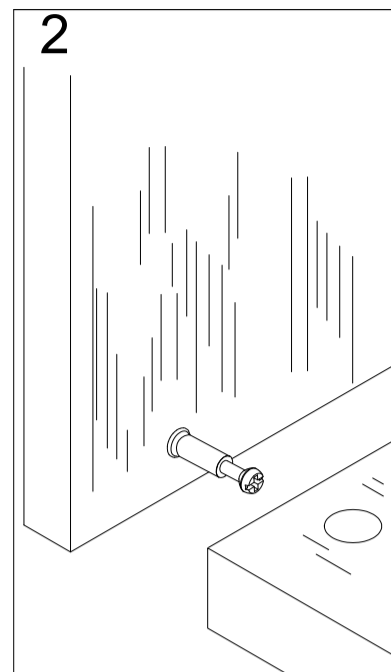
Step 1

Connect the male camlock as directed in the assembly instructions using a screwdriver.



Step 2

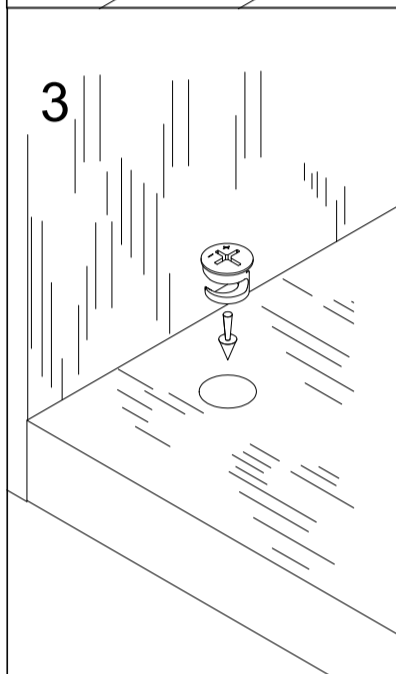
Push the male camlock into the entry hole.



Step 3

Insert the female camlock as shown in the instruction.

Note: ensure that the arrow on the top of the camlock points towards the entry hole for the male camlock.

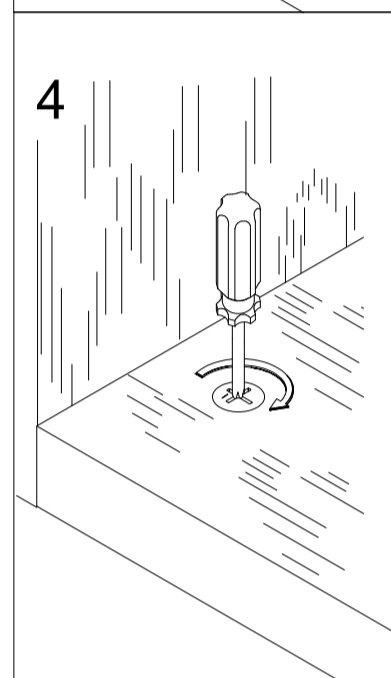


Step 4

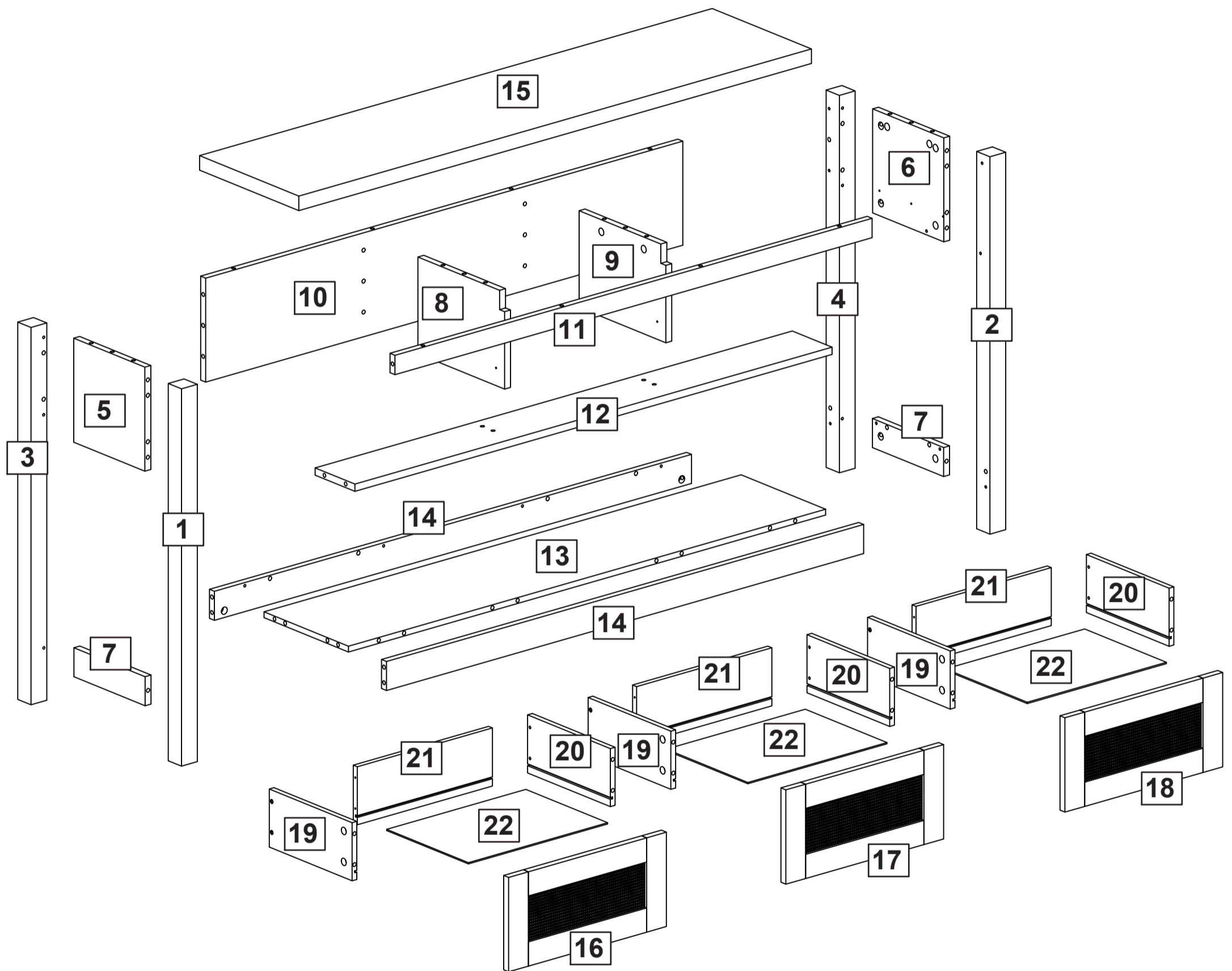
Turn the female camlock clockwise with a screwdriver.

You should feel a click when the camlock is locked in place.

The joint is now secure.

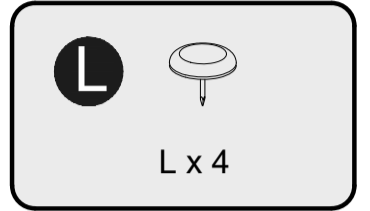
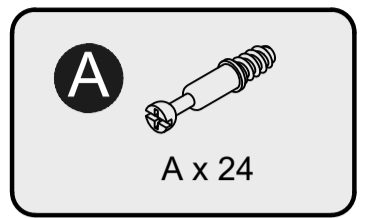
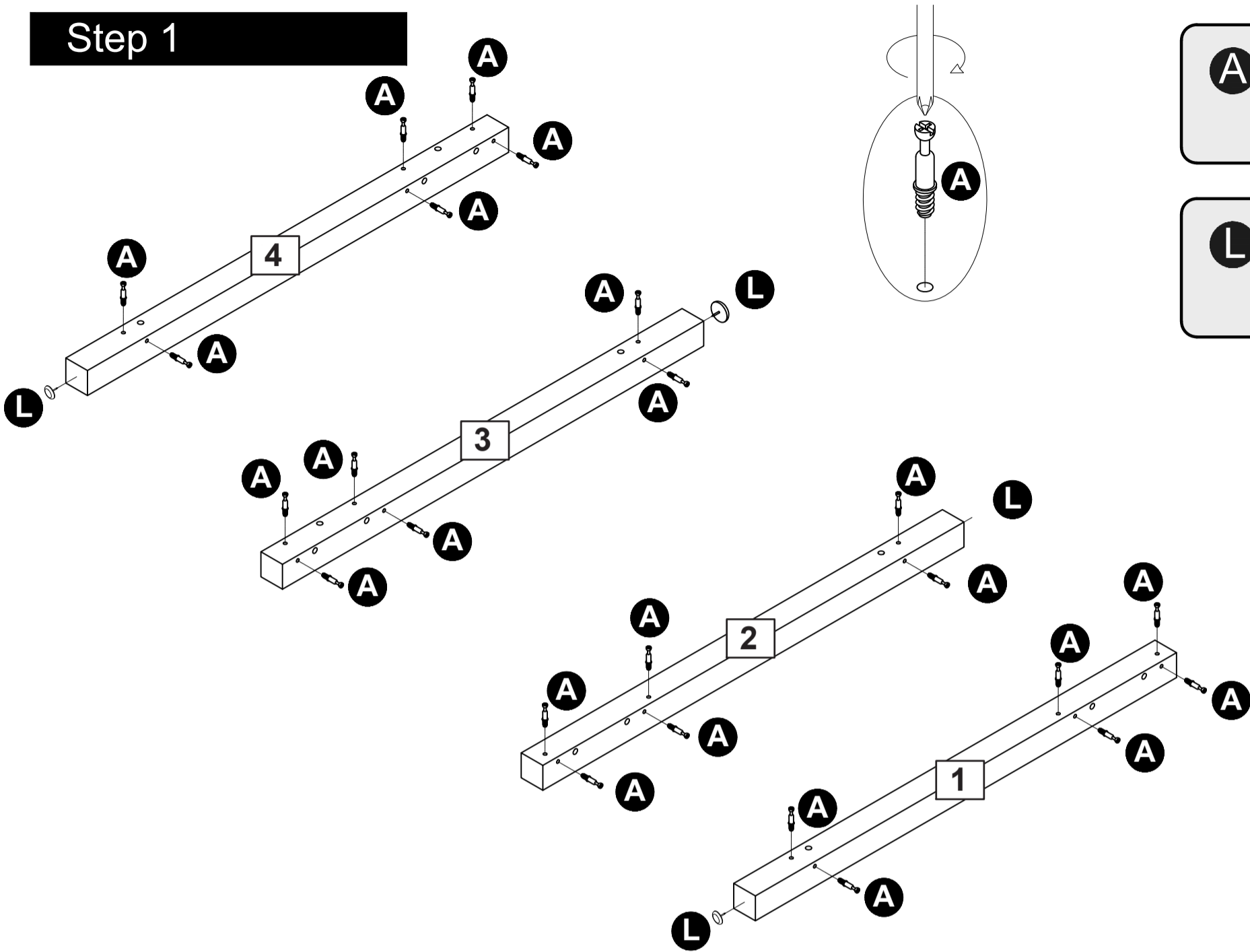


Assembly Instructions

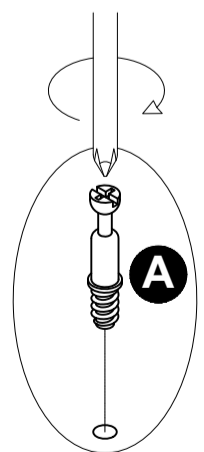
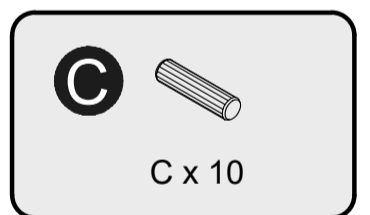
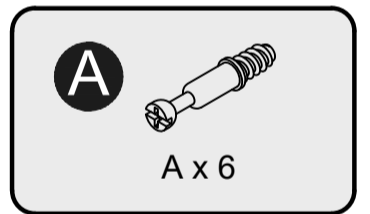
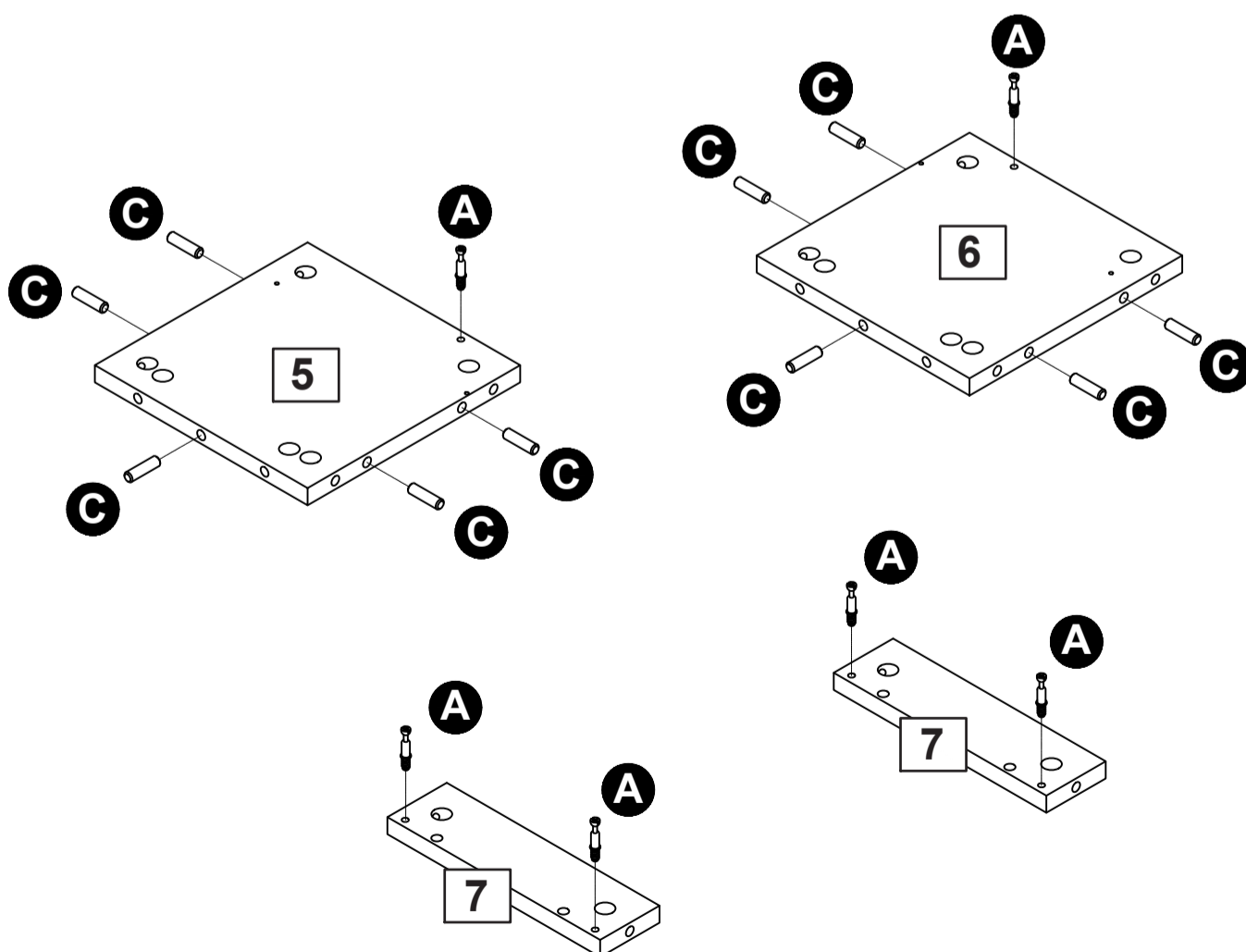


Assembly Instructions

Step 1



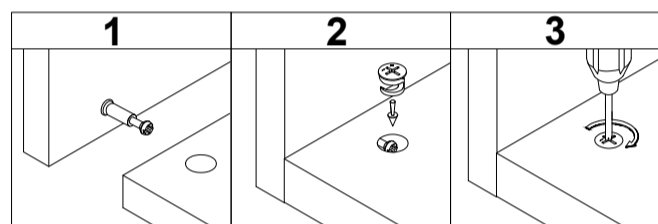
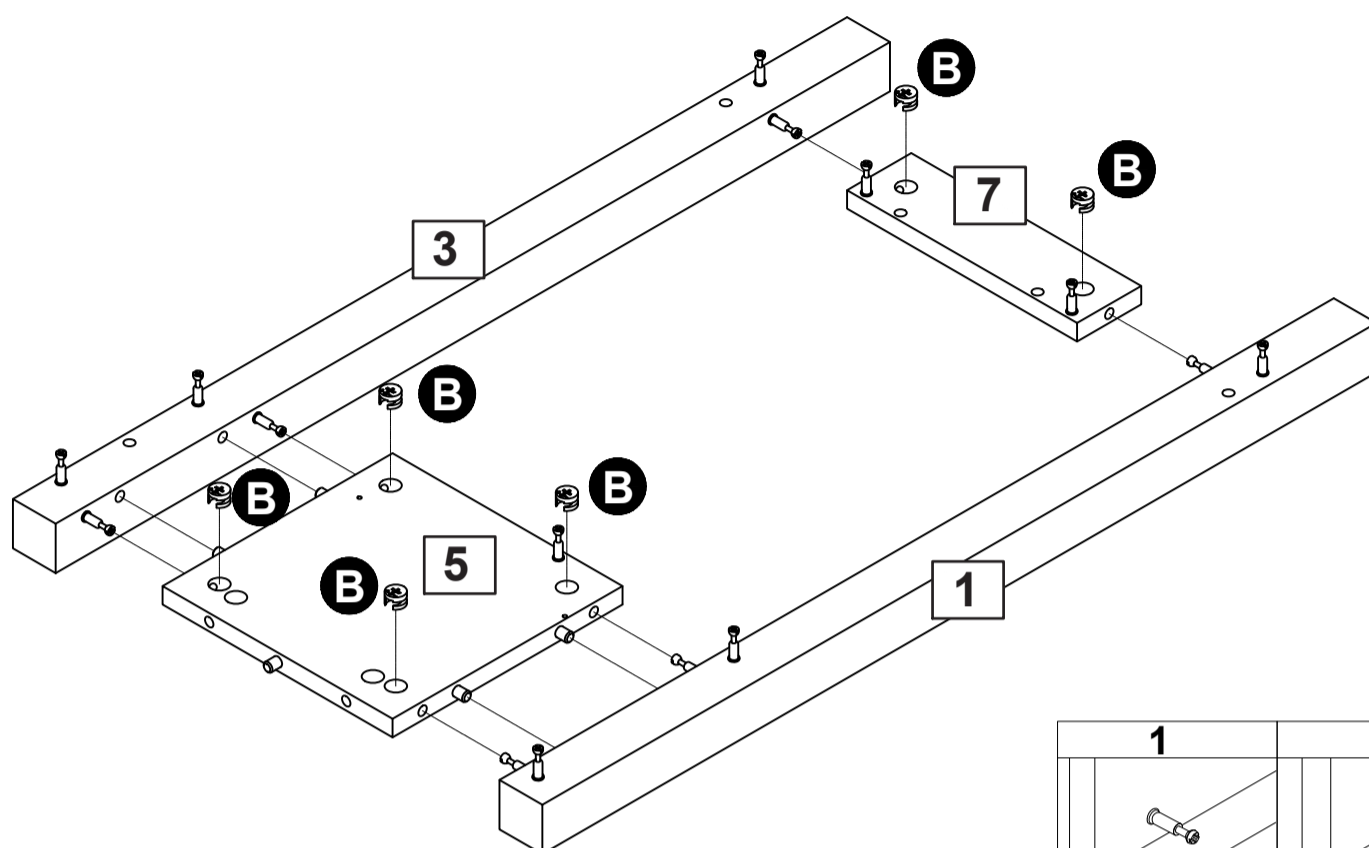
Step 2



Assembly Instructions

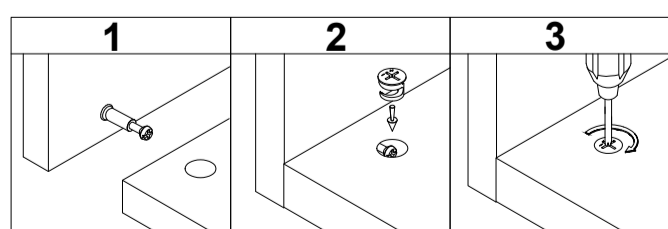
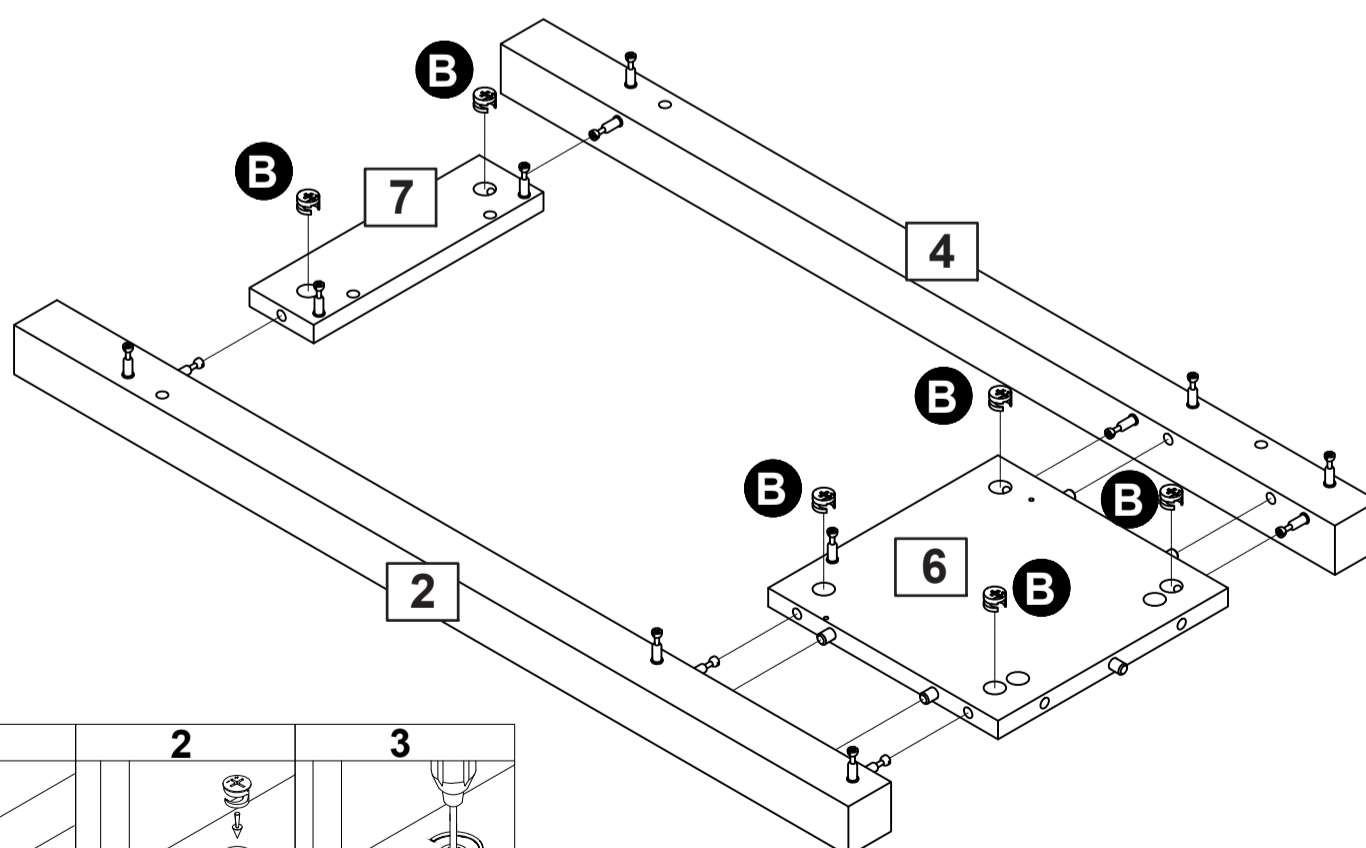
Step 3

B 
B x 6



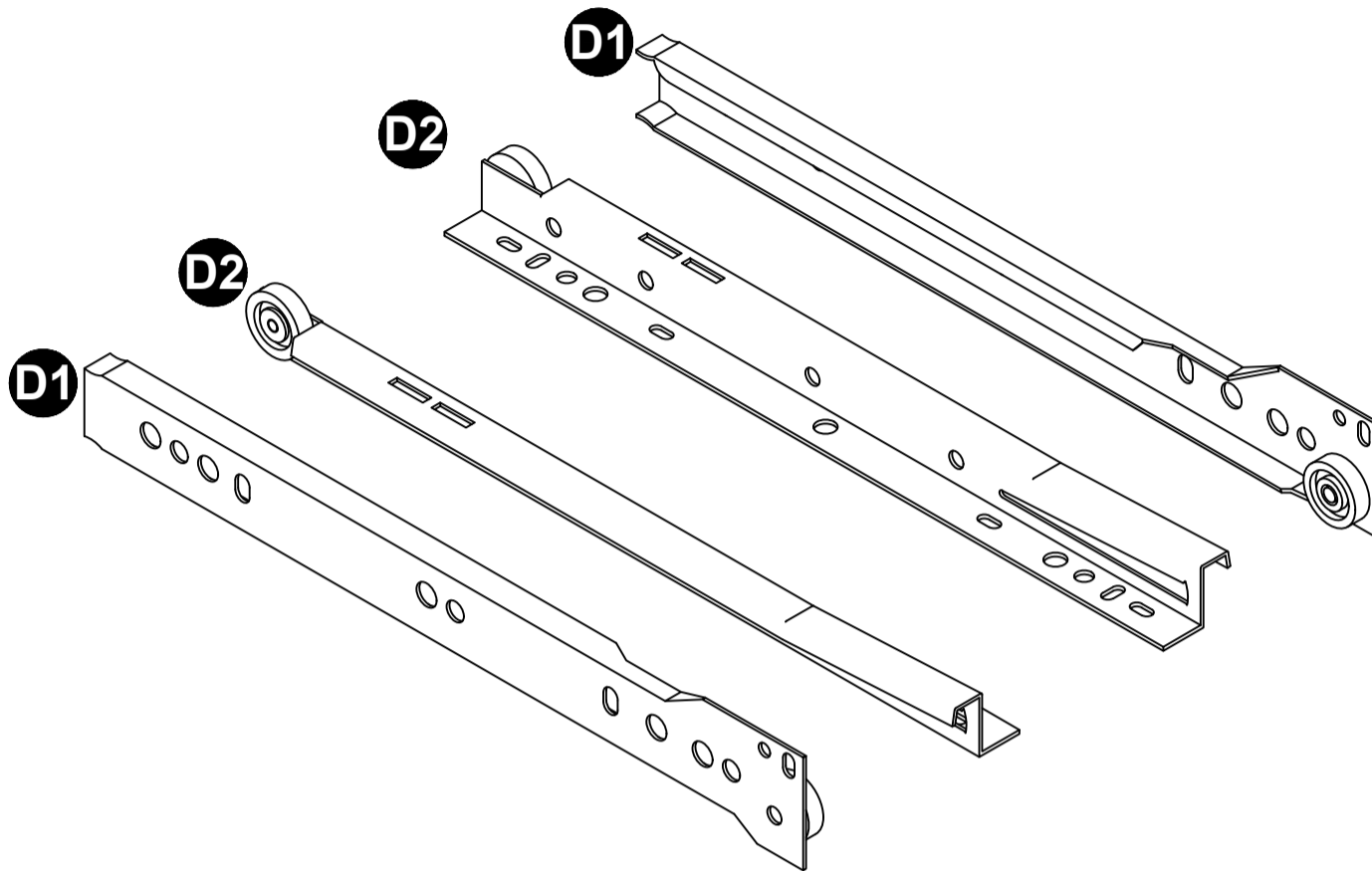
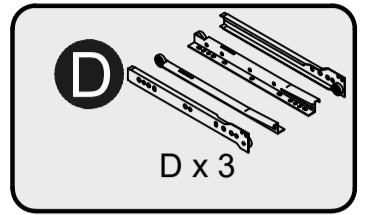
Step 4

B 
B x 6



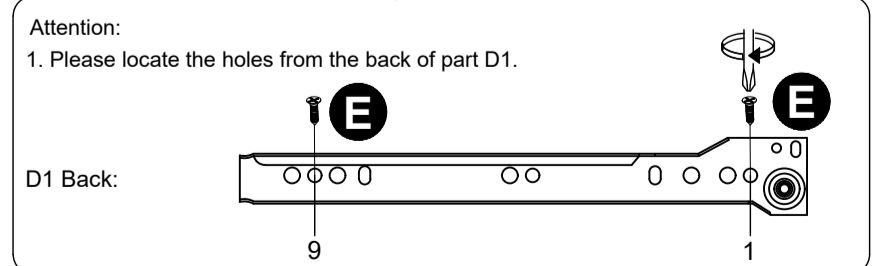
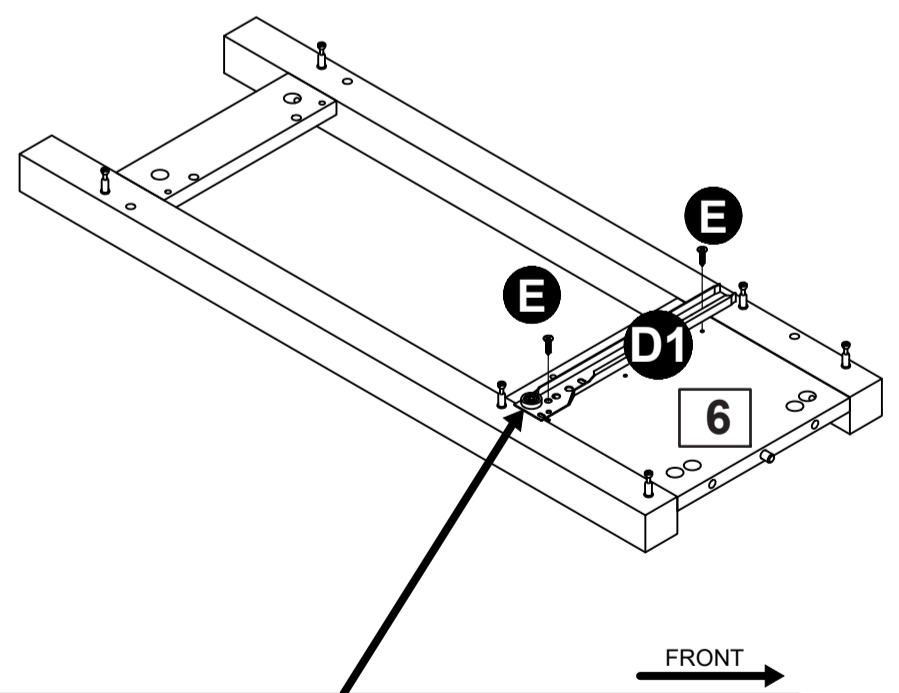
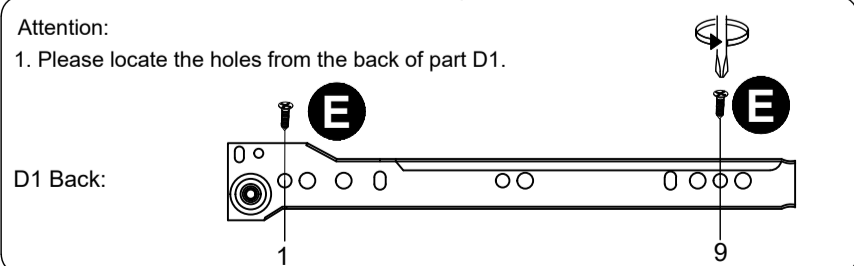
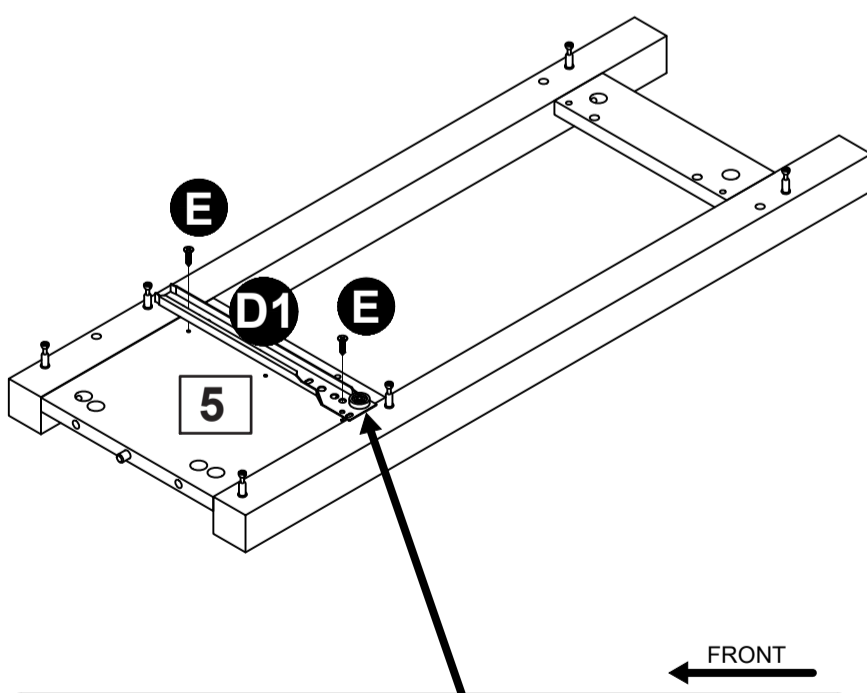
Assembly Instructions

Step 5



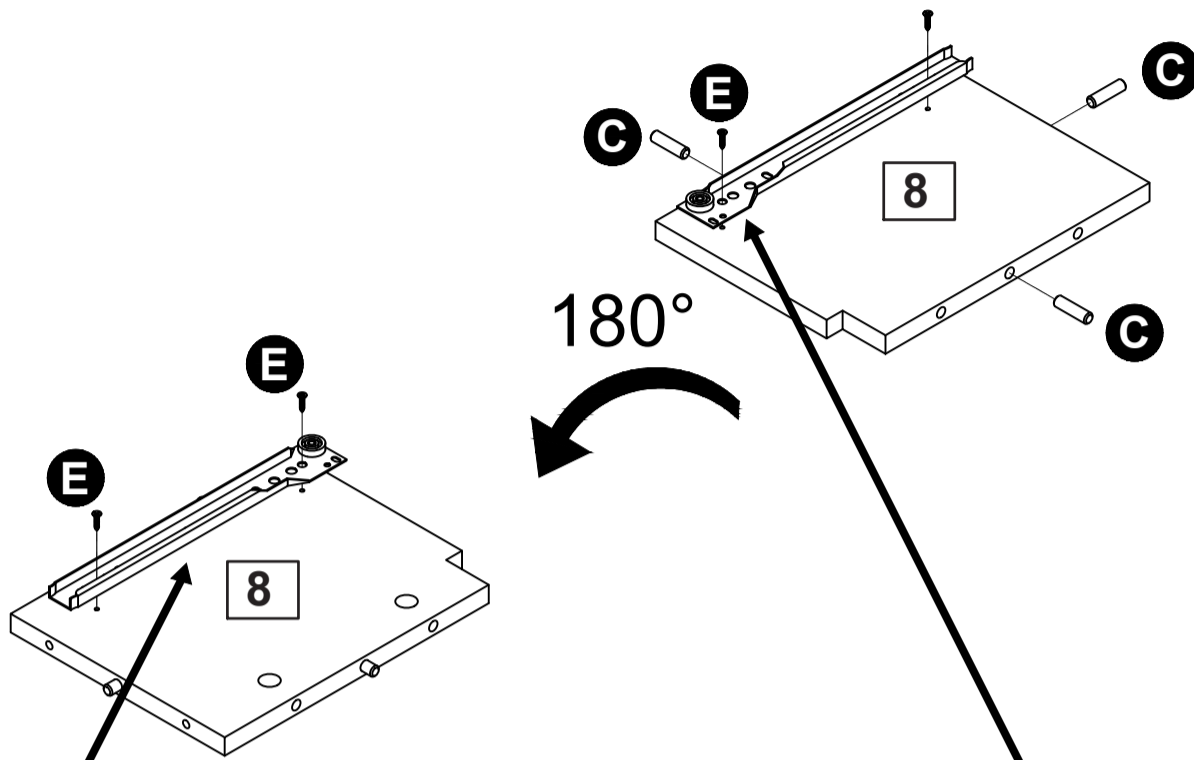
X3

Step 6



Assembly Instructions

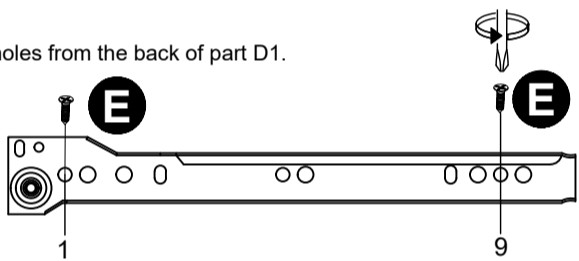
Step 7



Attention:

1. Please locate the holes from the back of part D1.

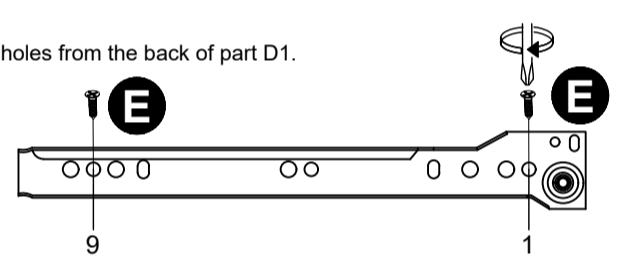
D1 Back:



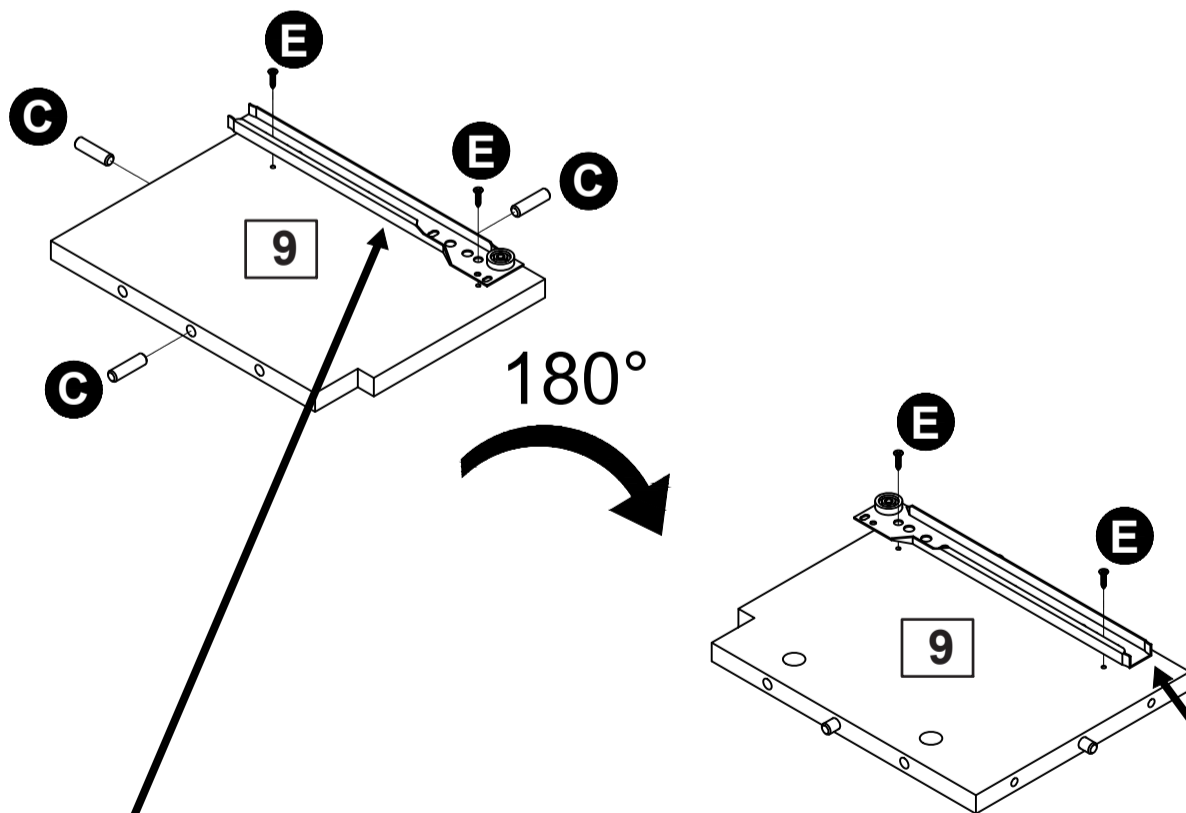
Attention:

1. Please locate the holes from the back of part D1.

D1 Back:



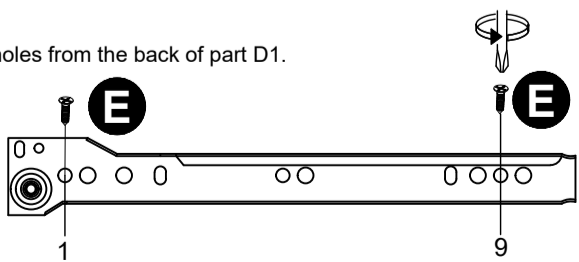
Step 8



Attention:

1. Please locate the holes from the back of part D1.

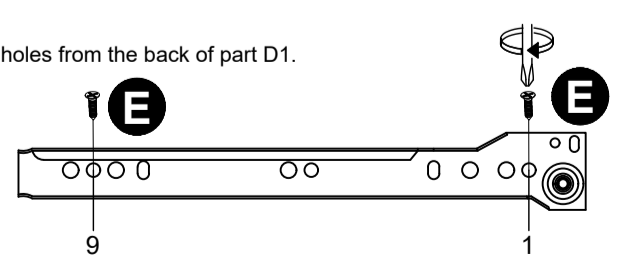
D1 Back:



Attention:

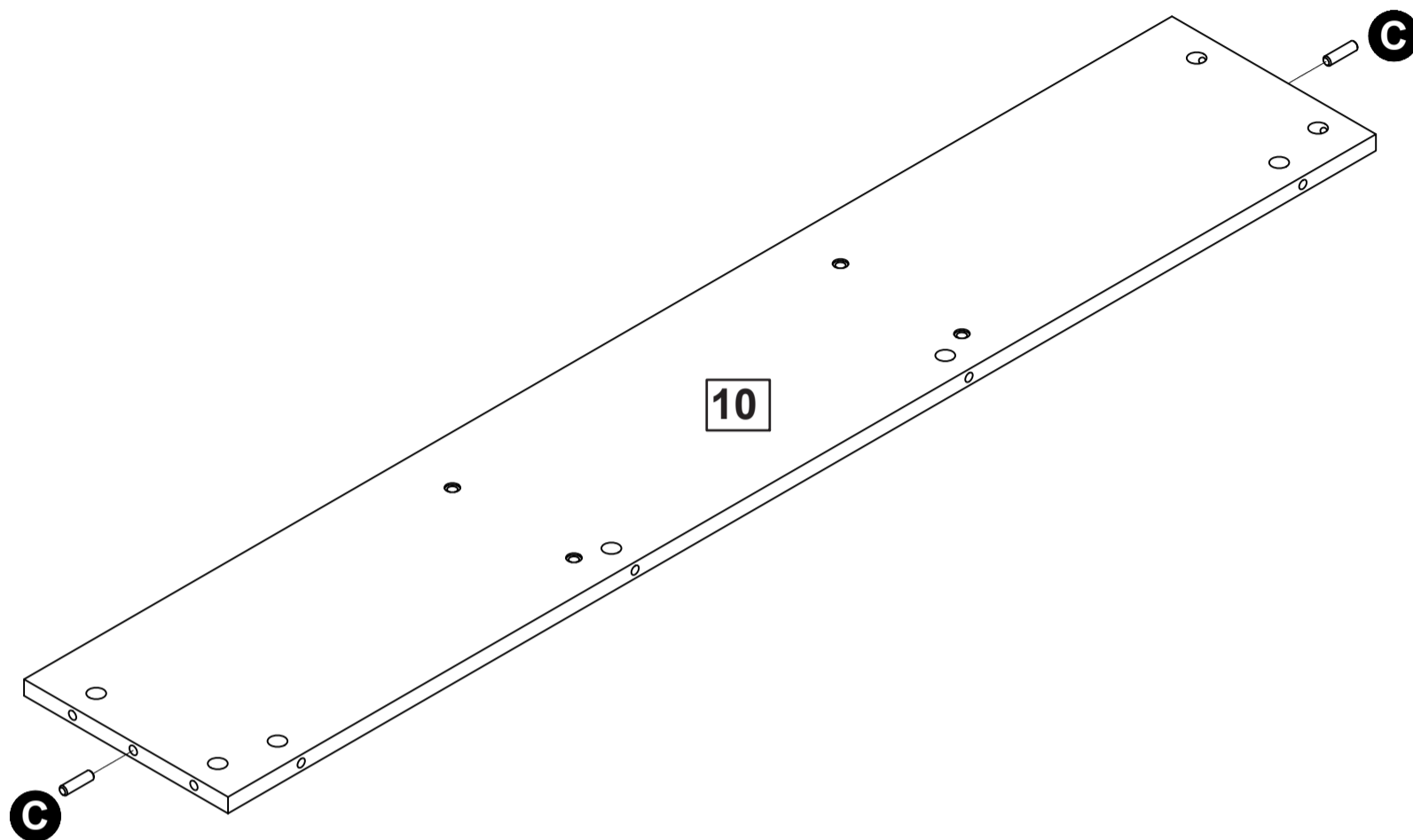
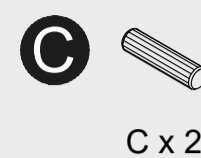
1. Please locate the holes from the back of part D1.

D1 Back:

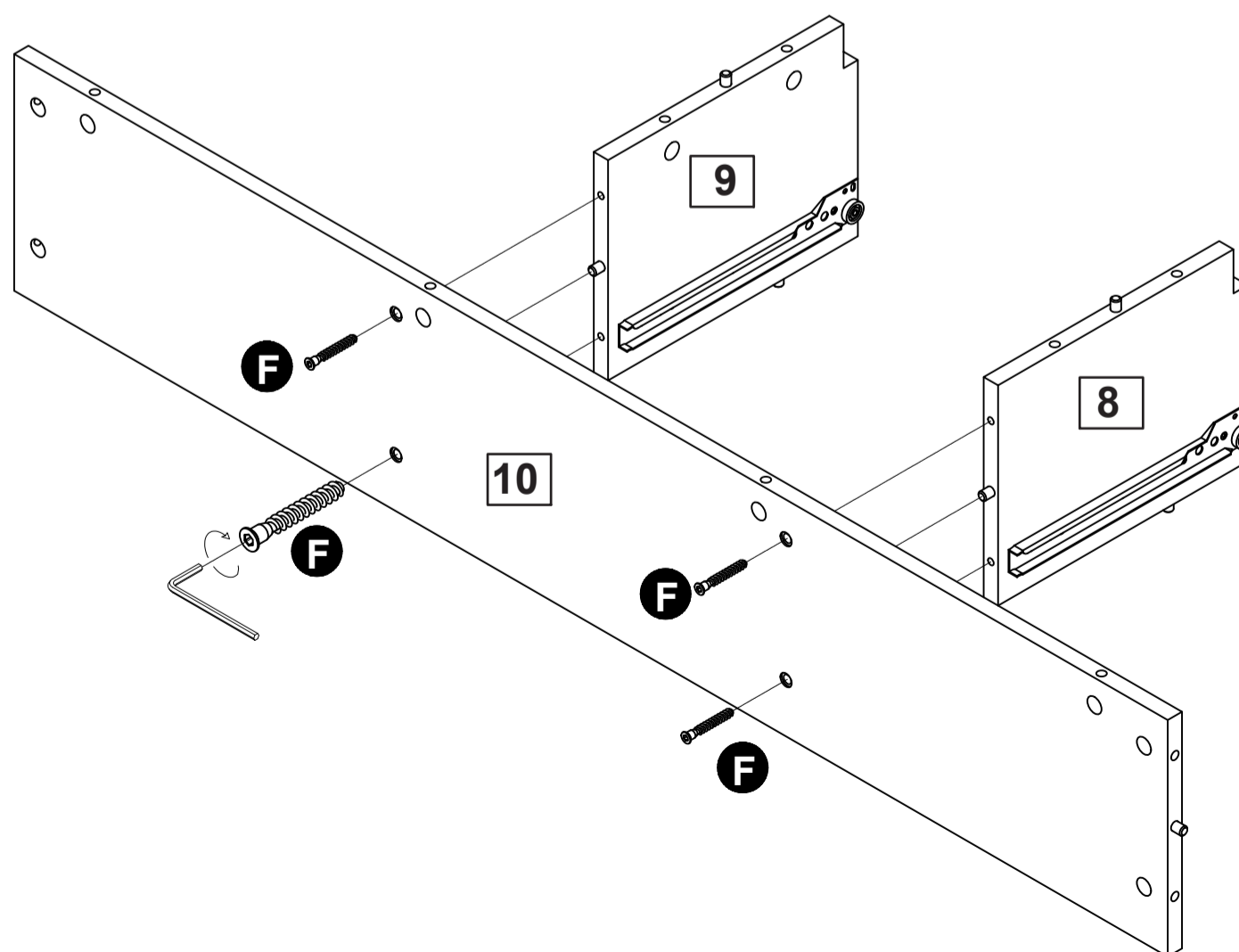


Assembly Instructions

Step 9

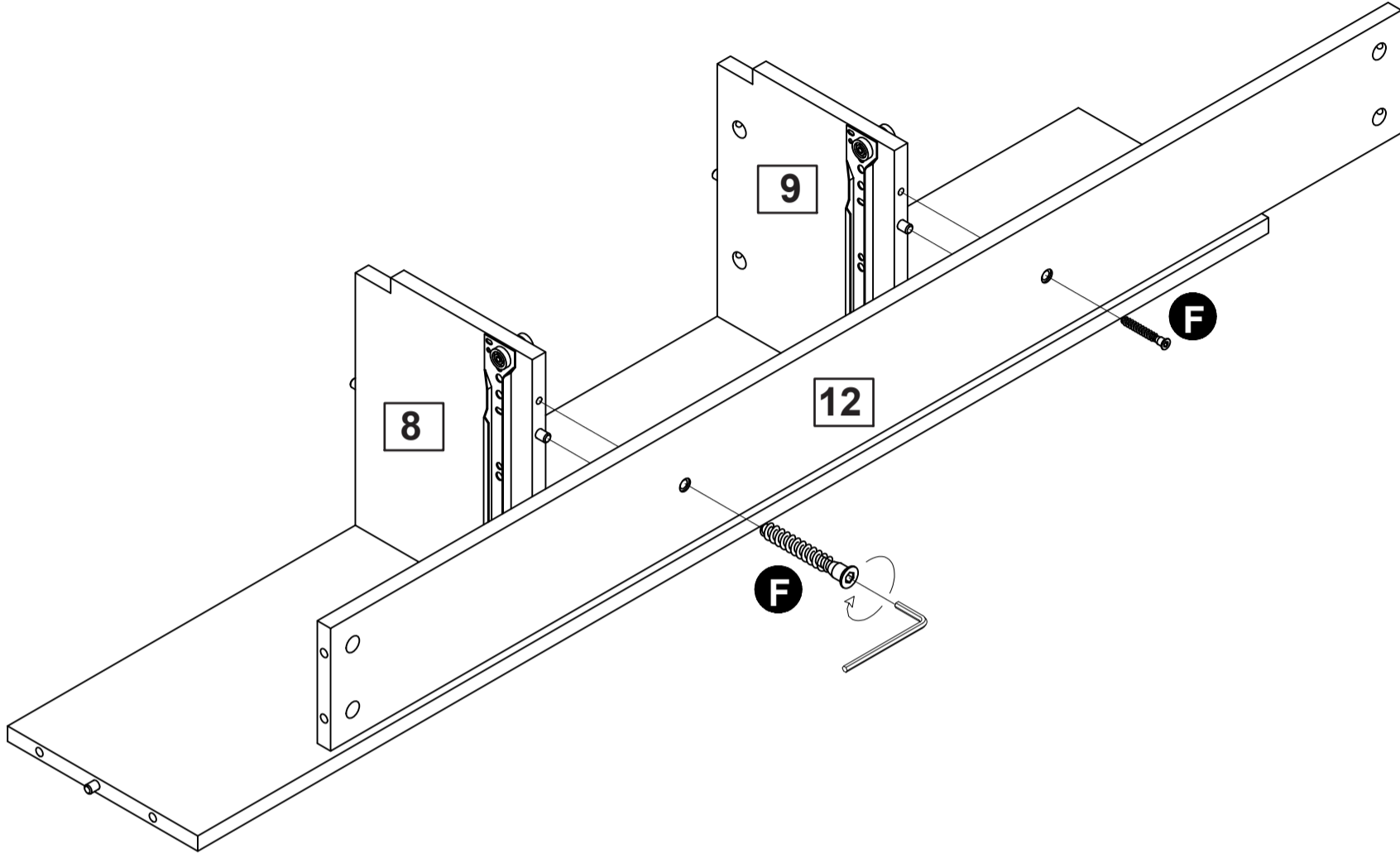
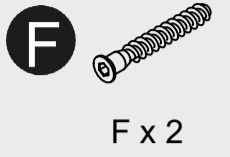


Step 10

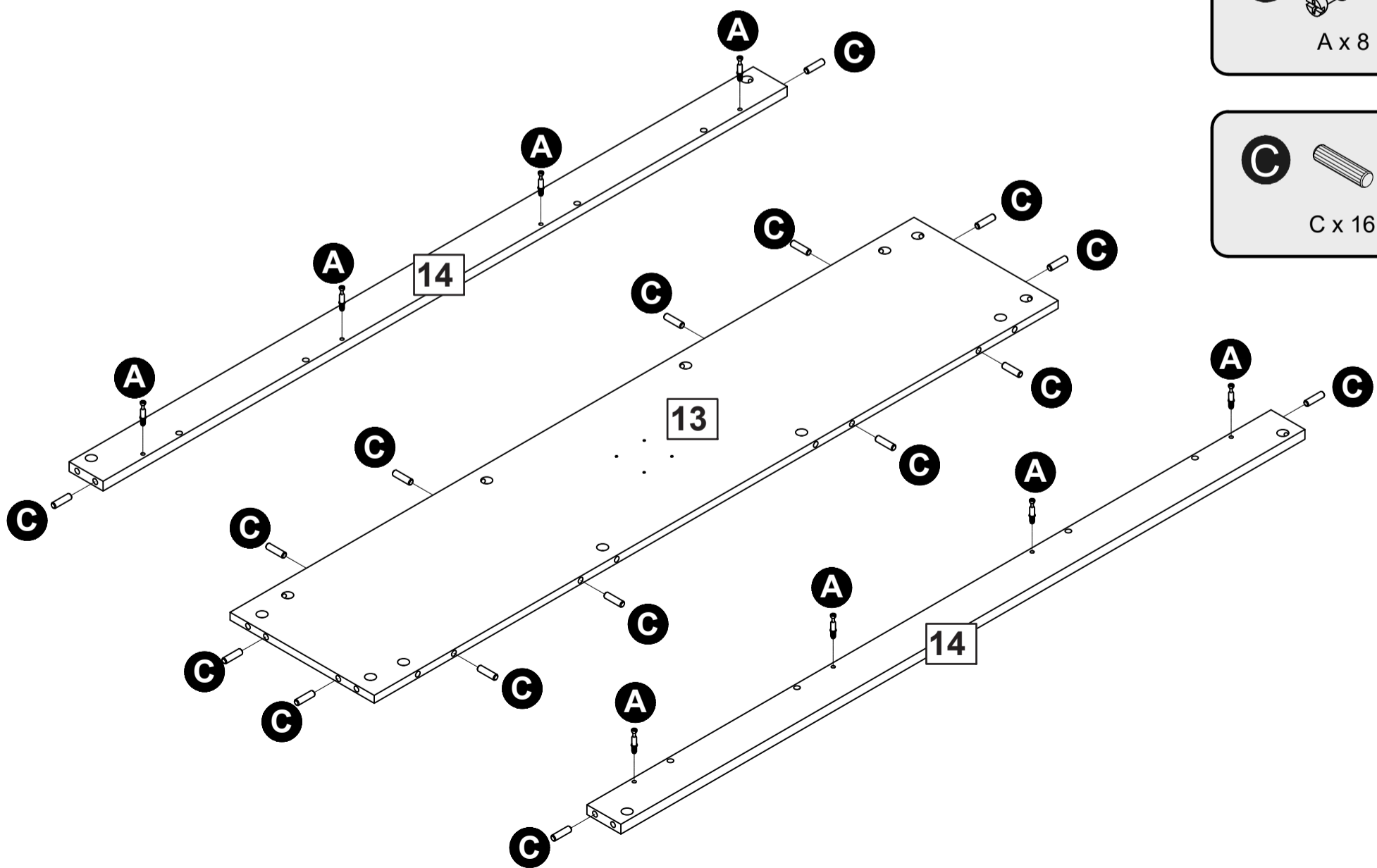
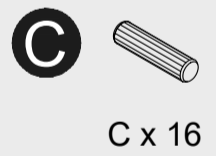


Assembly Instructions

Step 11



Step 12



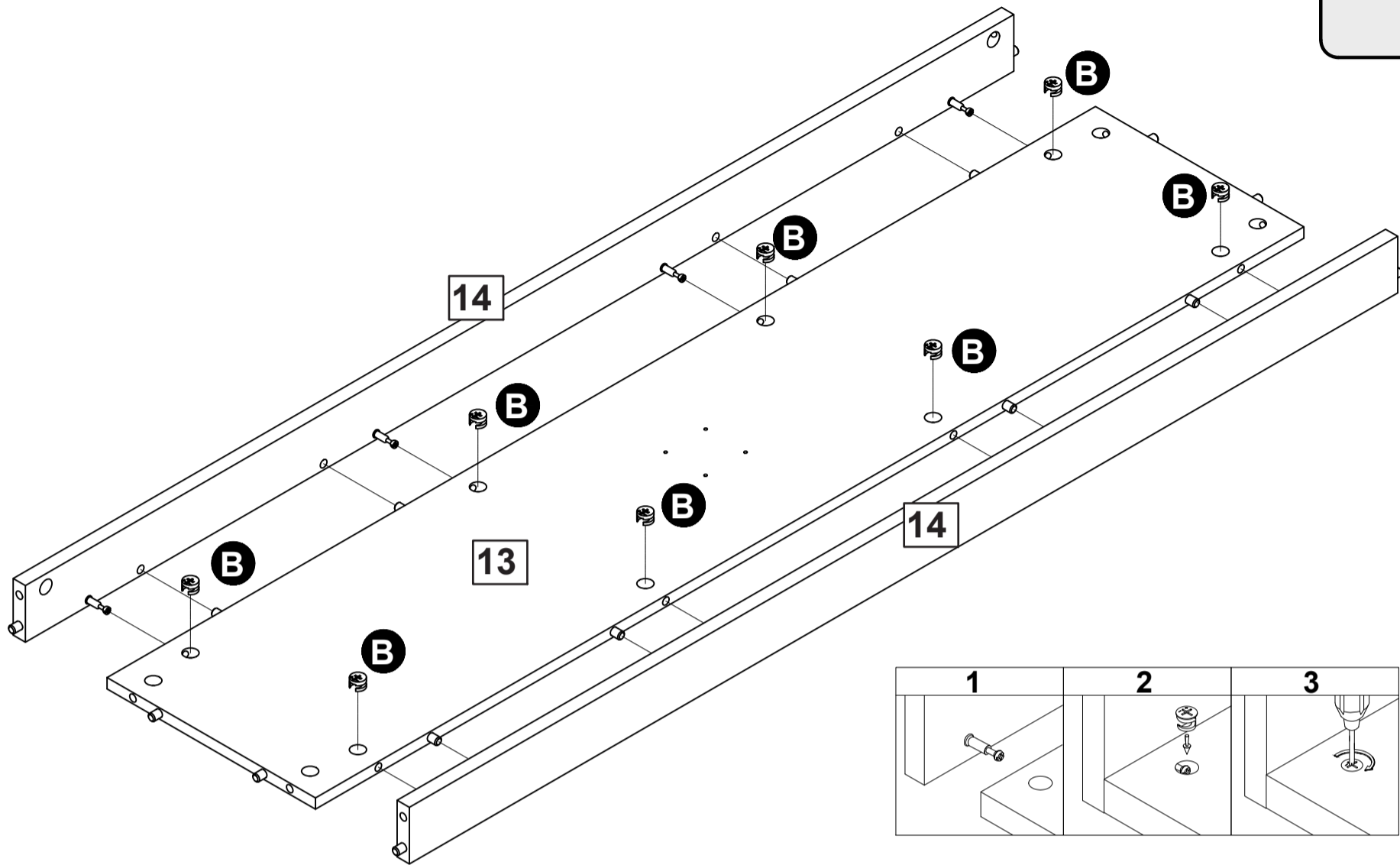
Assembly Instructions

Step 13

B



B x 8



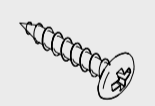
Step 14

I

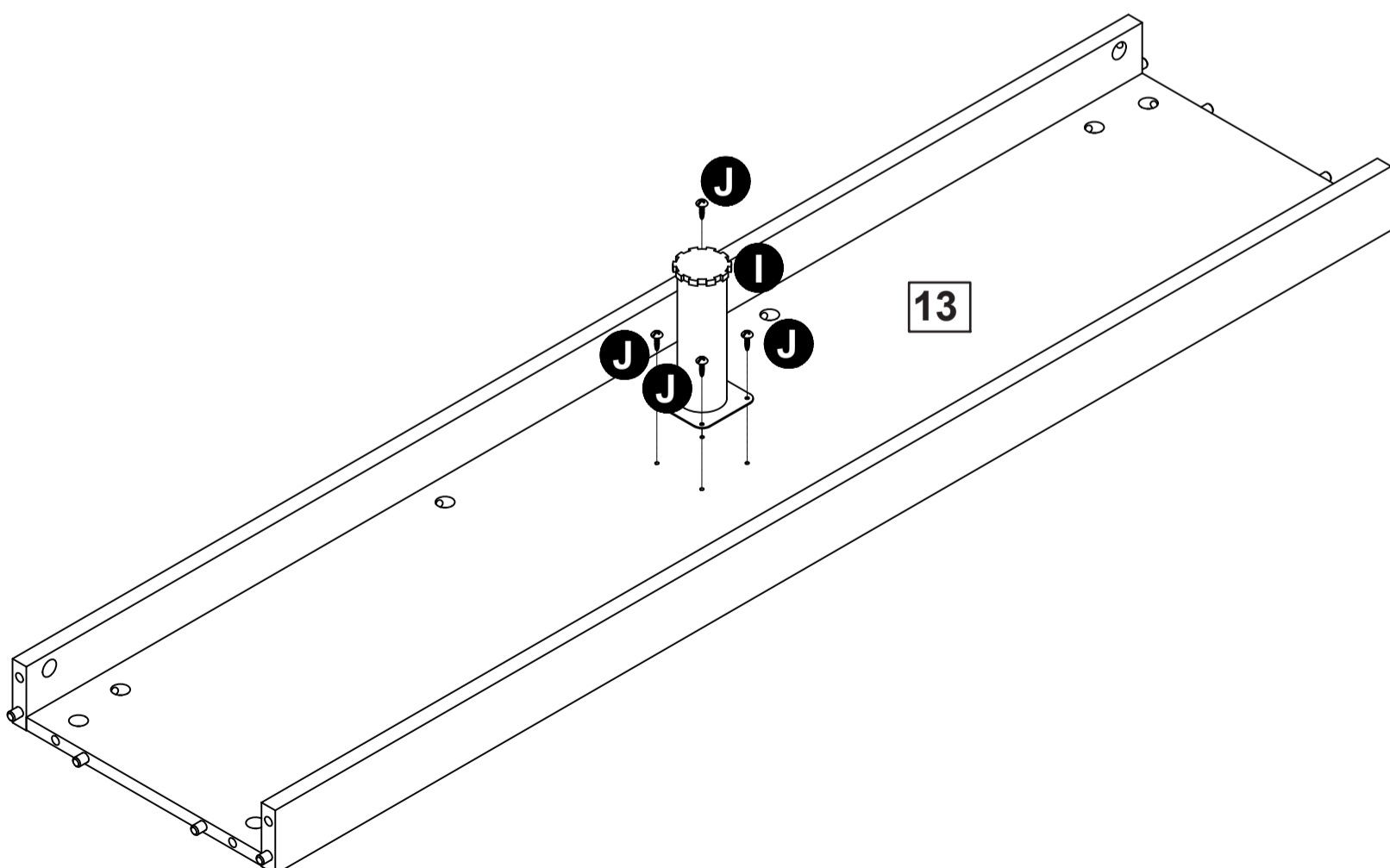


I x 1

J

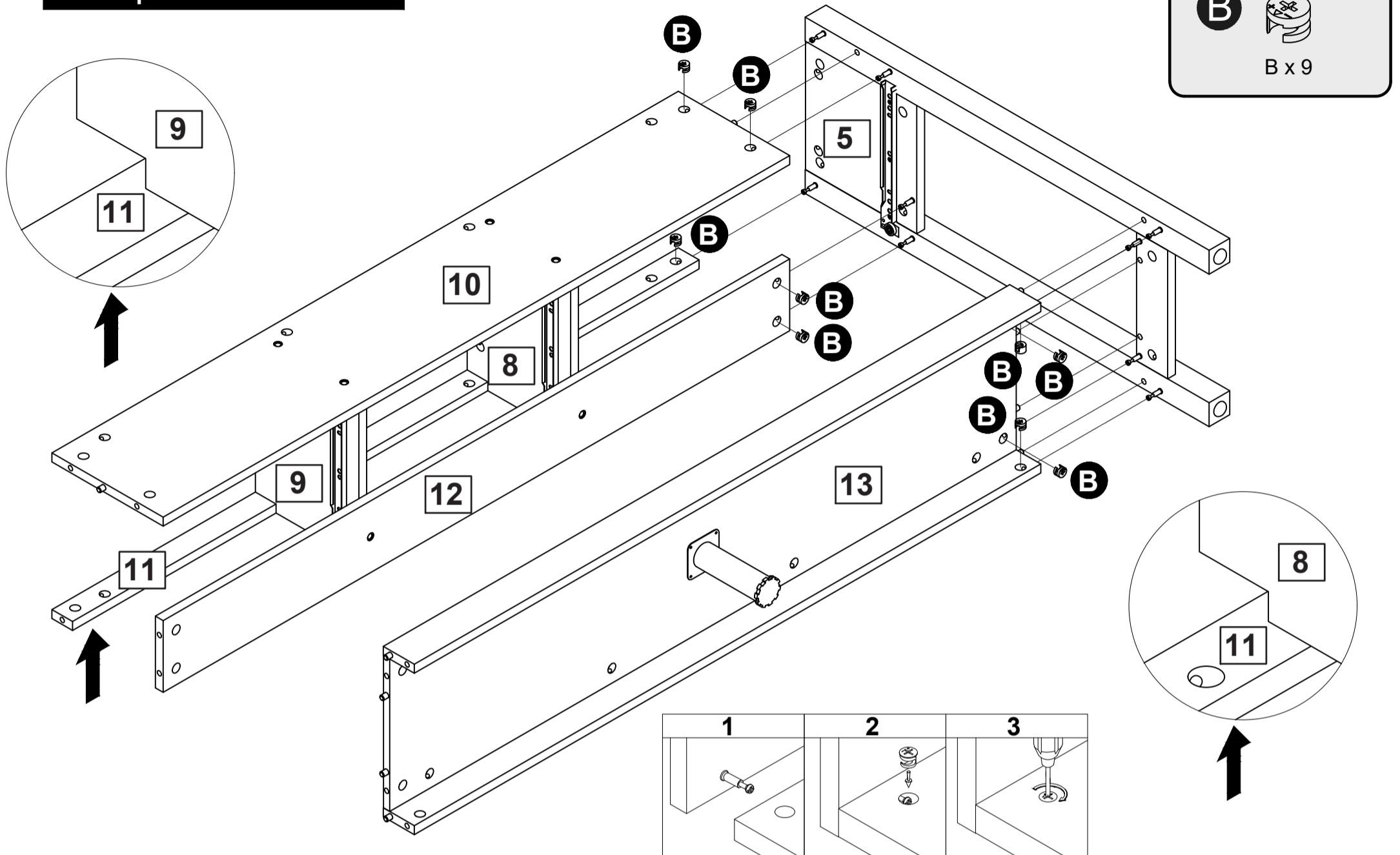


J x 4

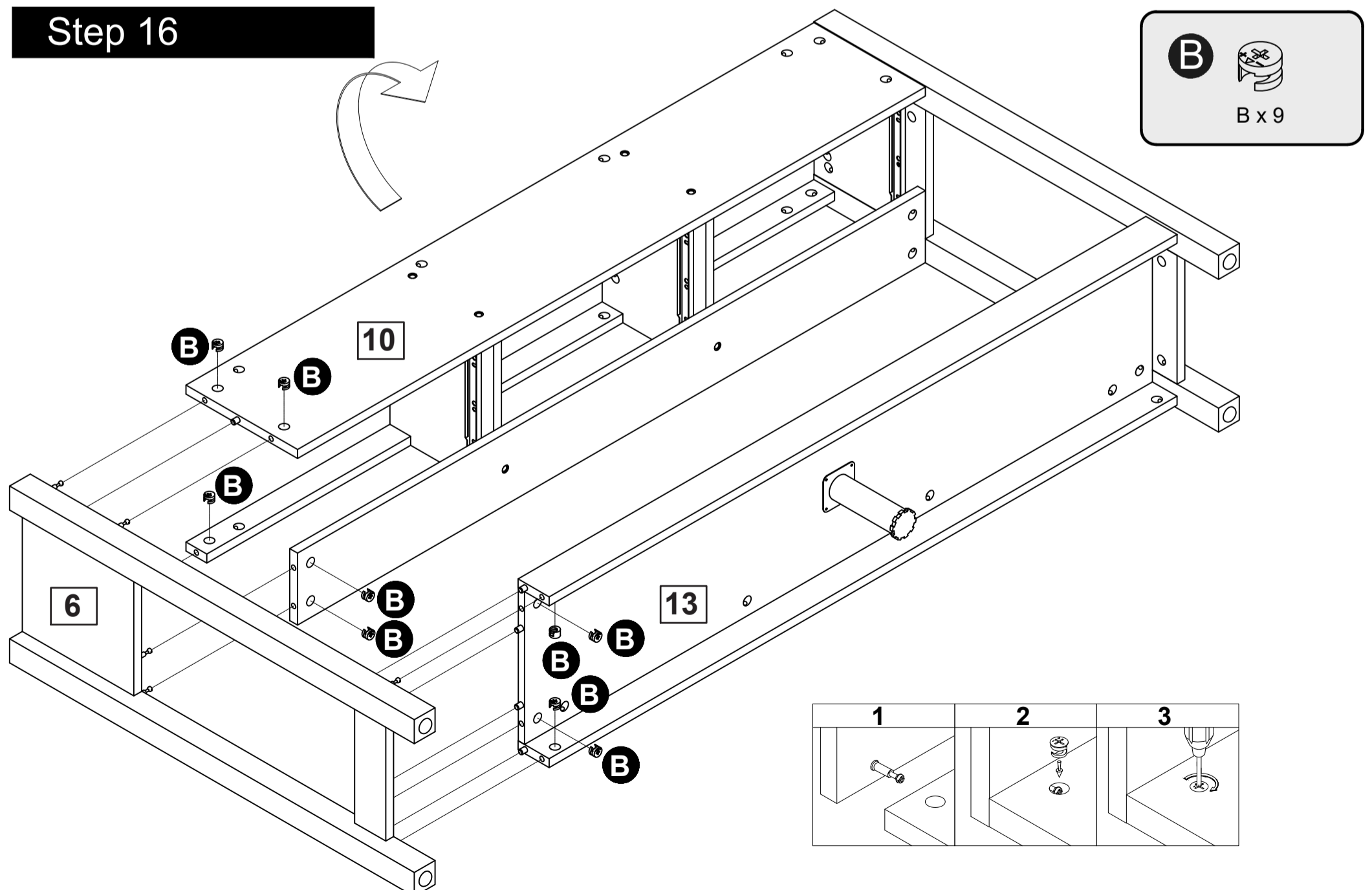


Assembly Instructions

Step 15

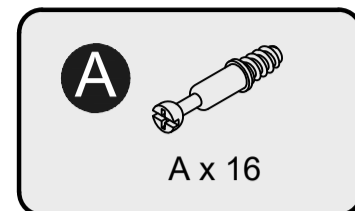
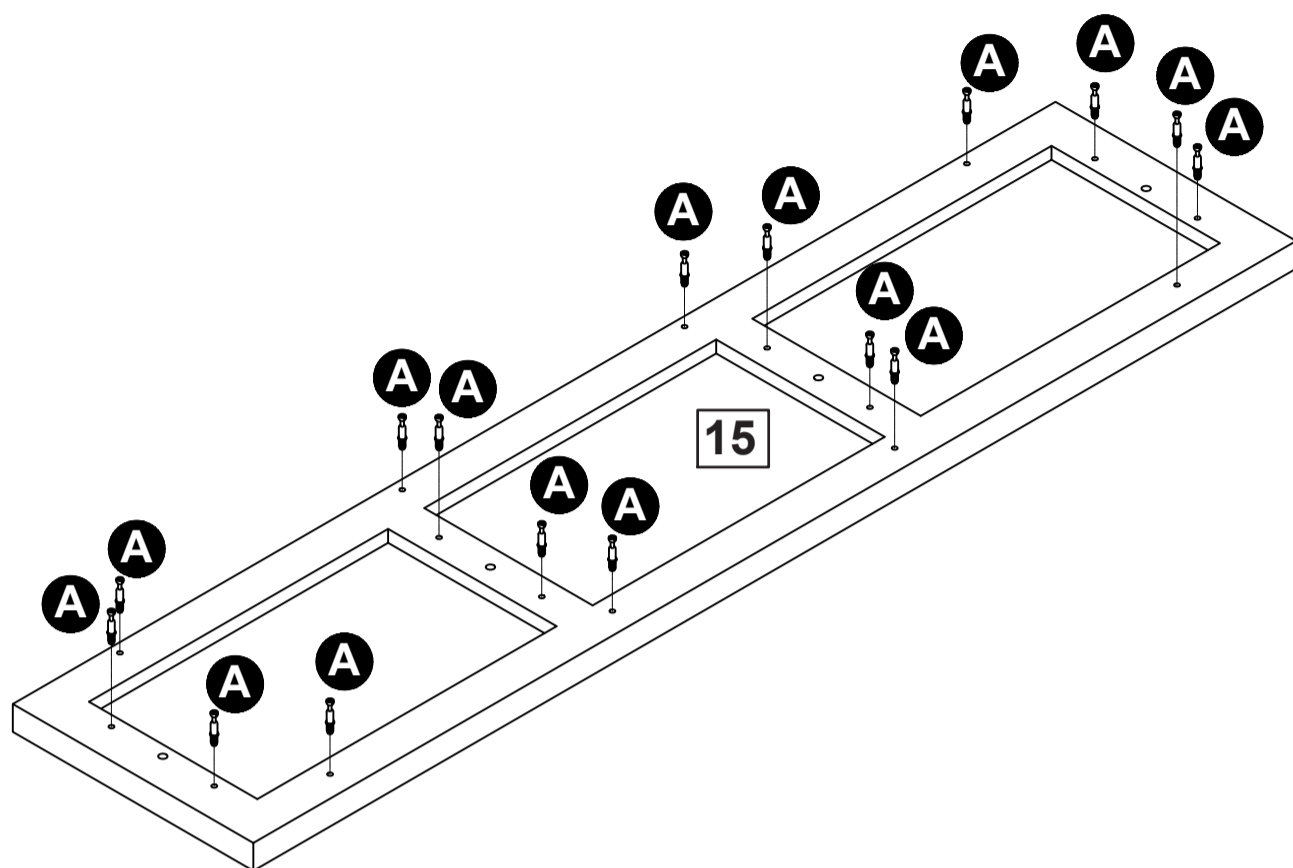


Step 16

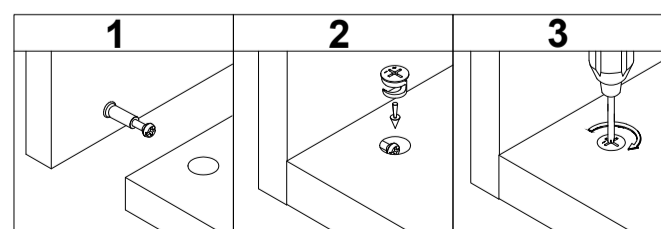
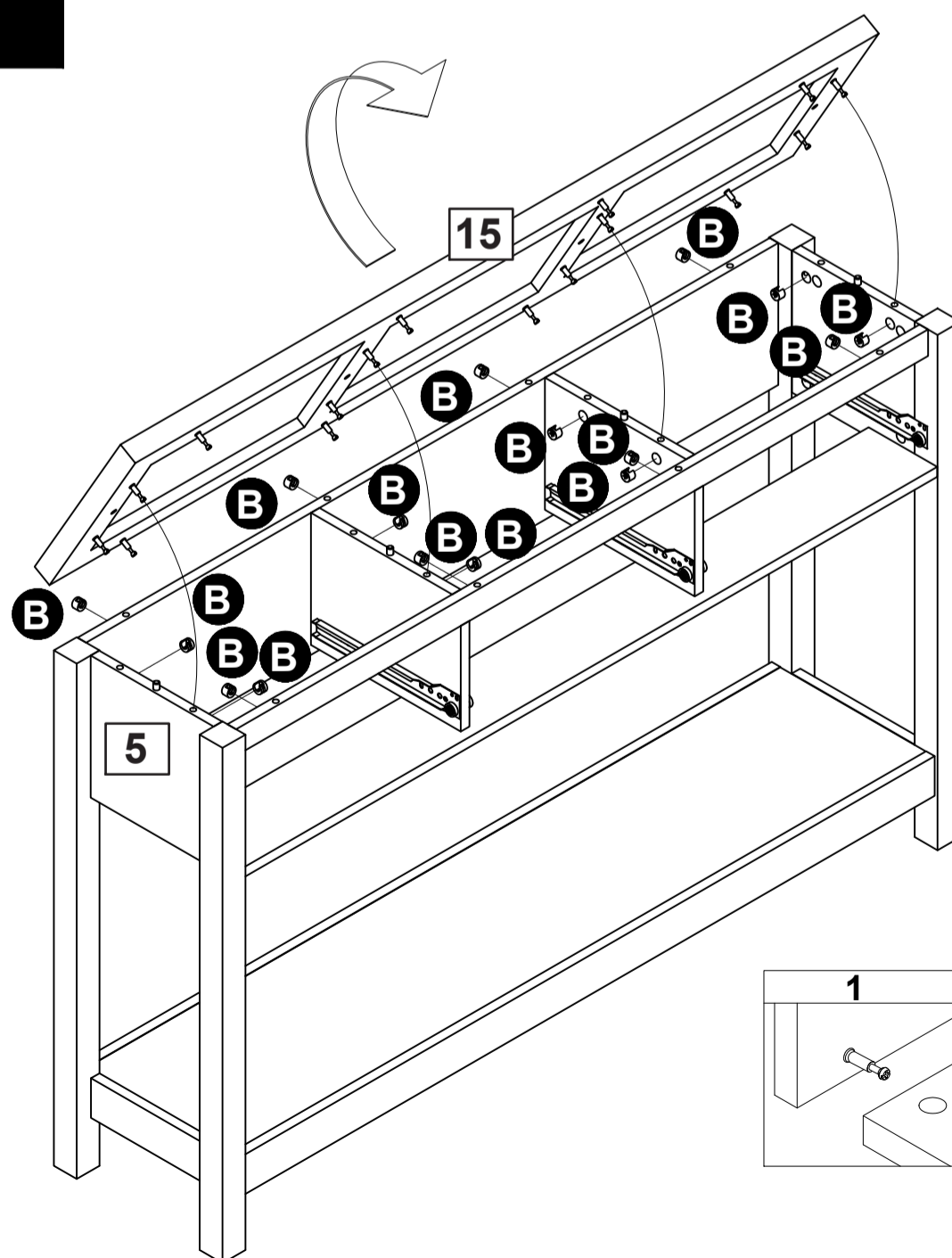


Assembly Instructions

Step 17

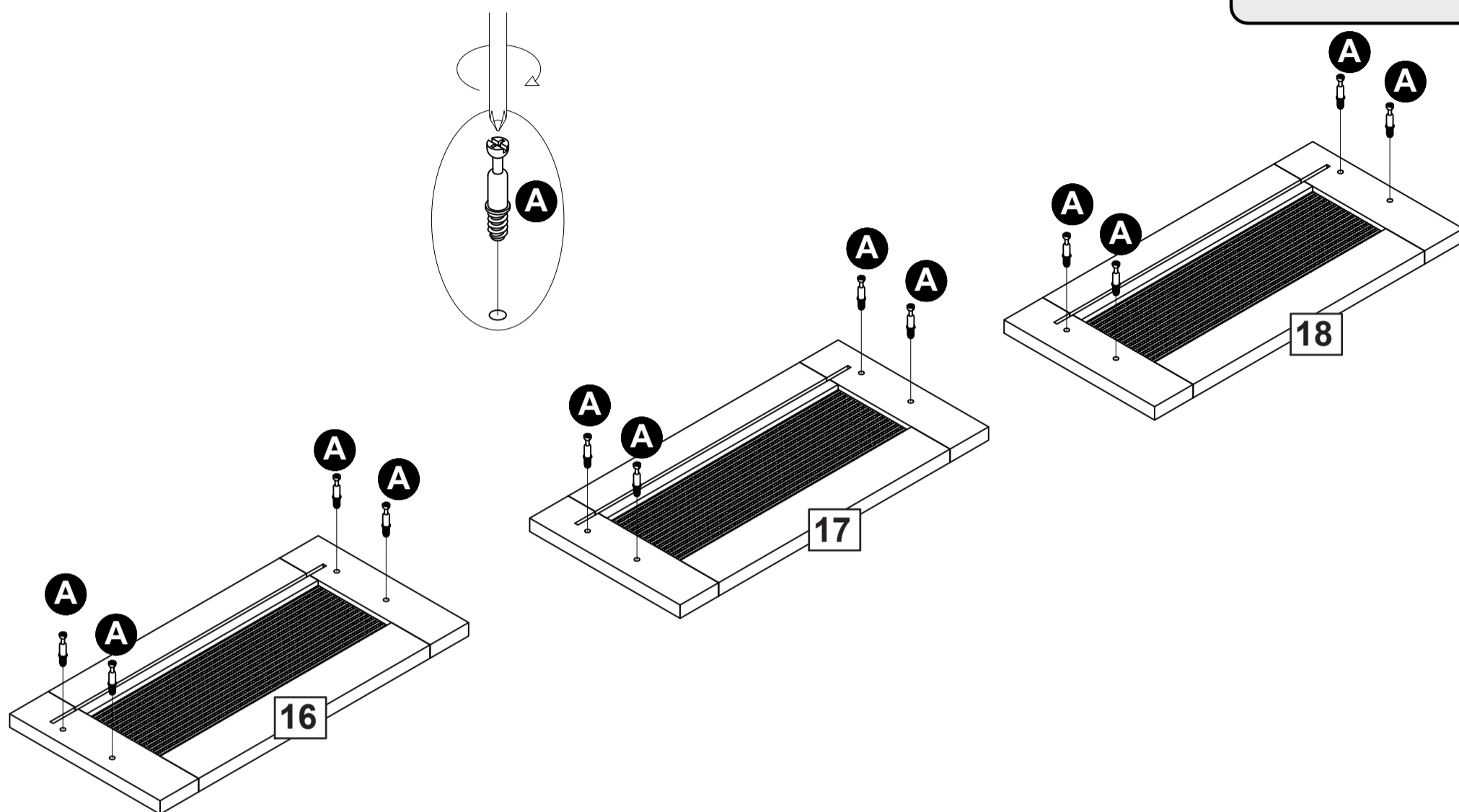
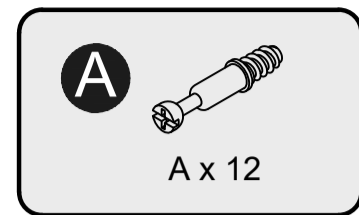


Step 18

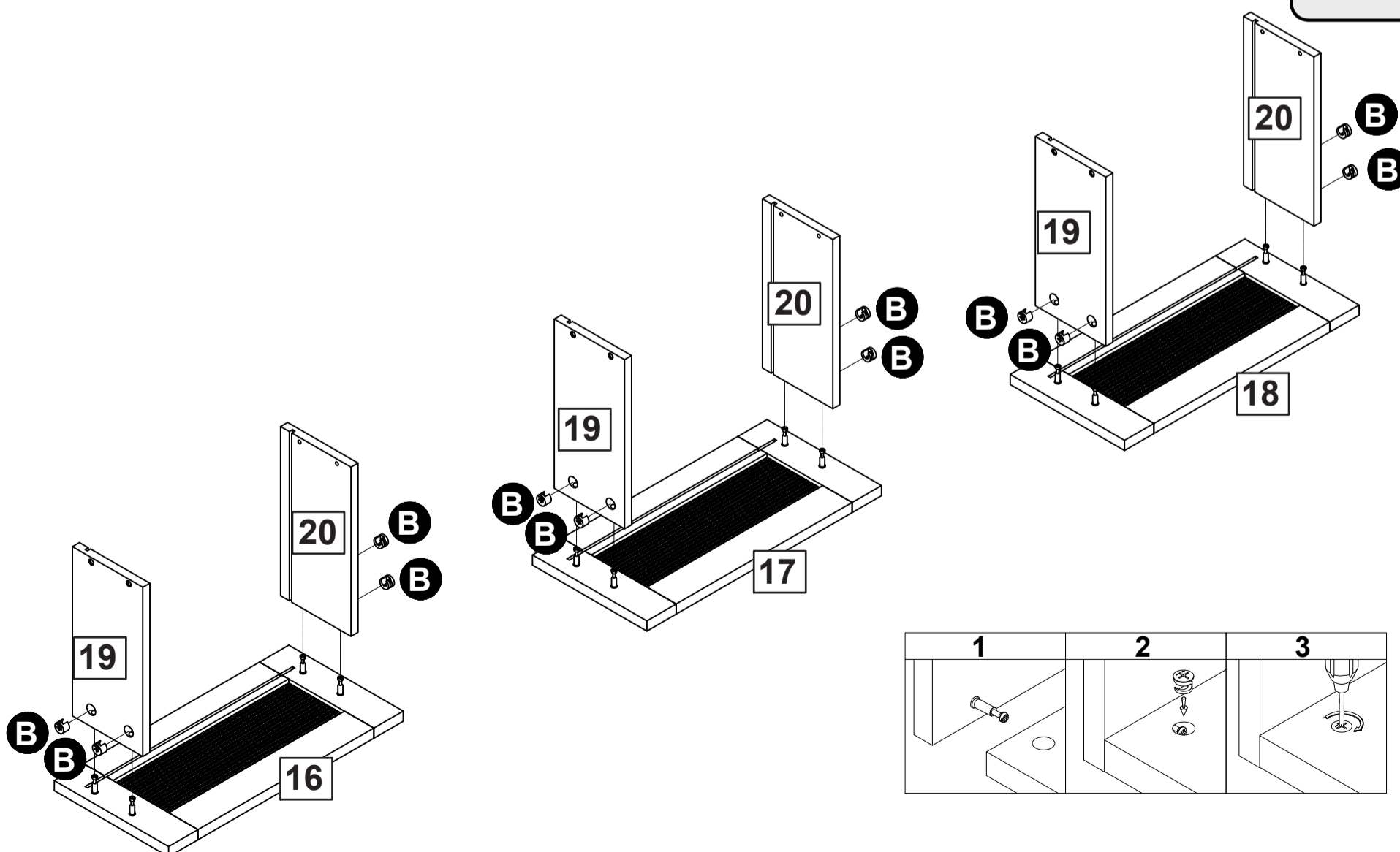


Assembly Instructions

Step 19

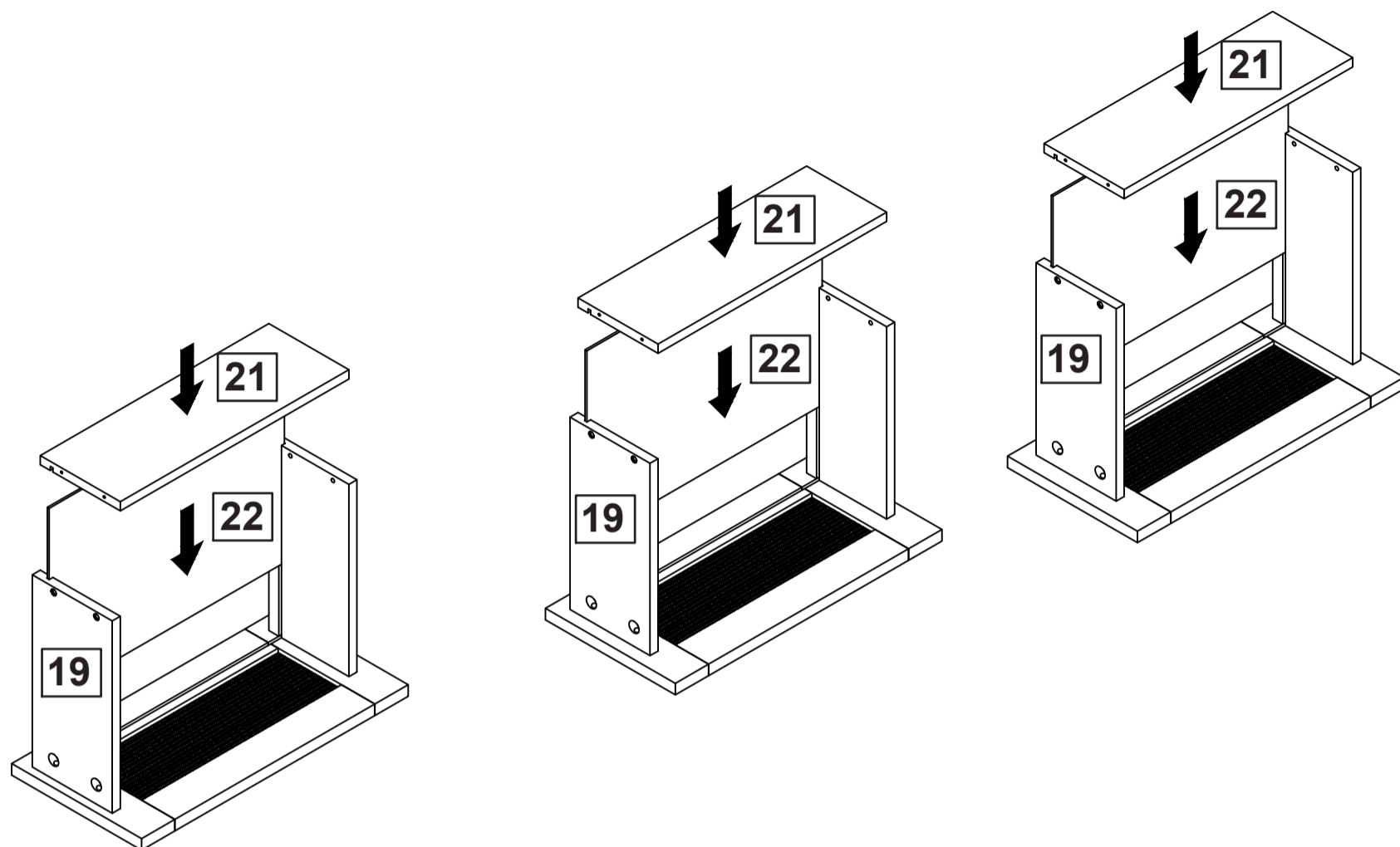


Step 20

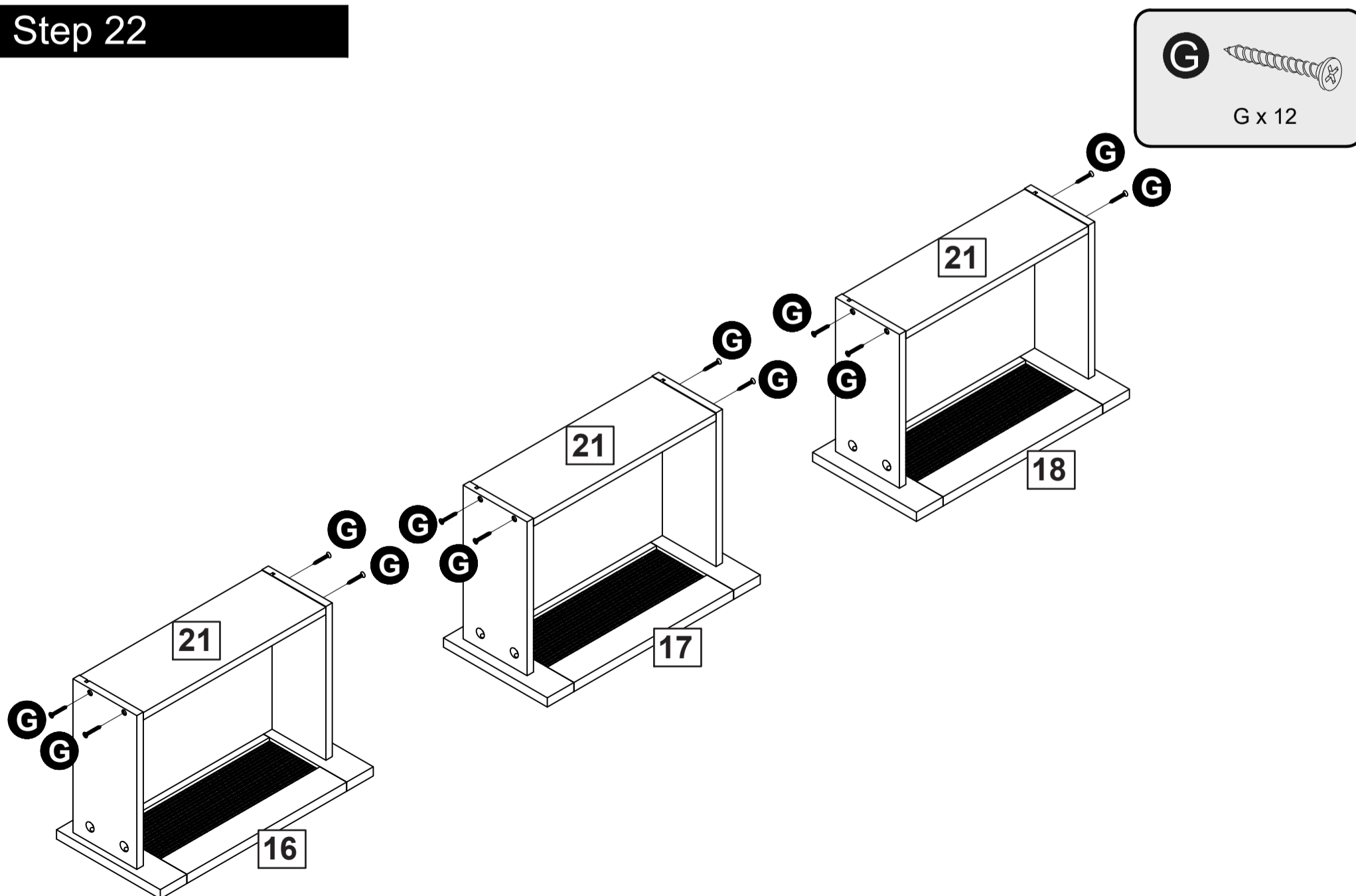


Assembly Instructions

Step 21

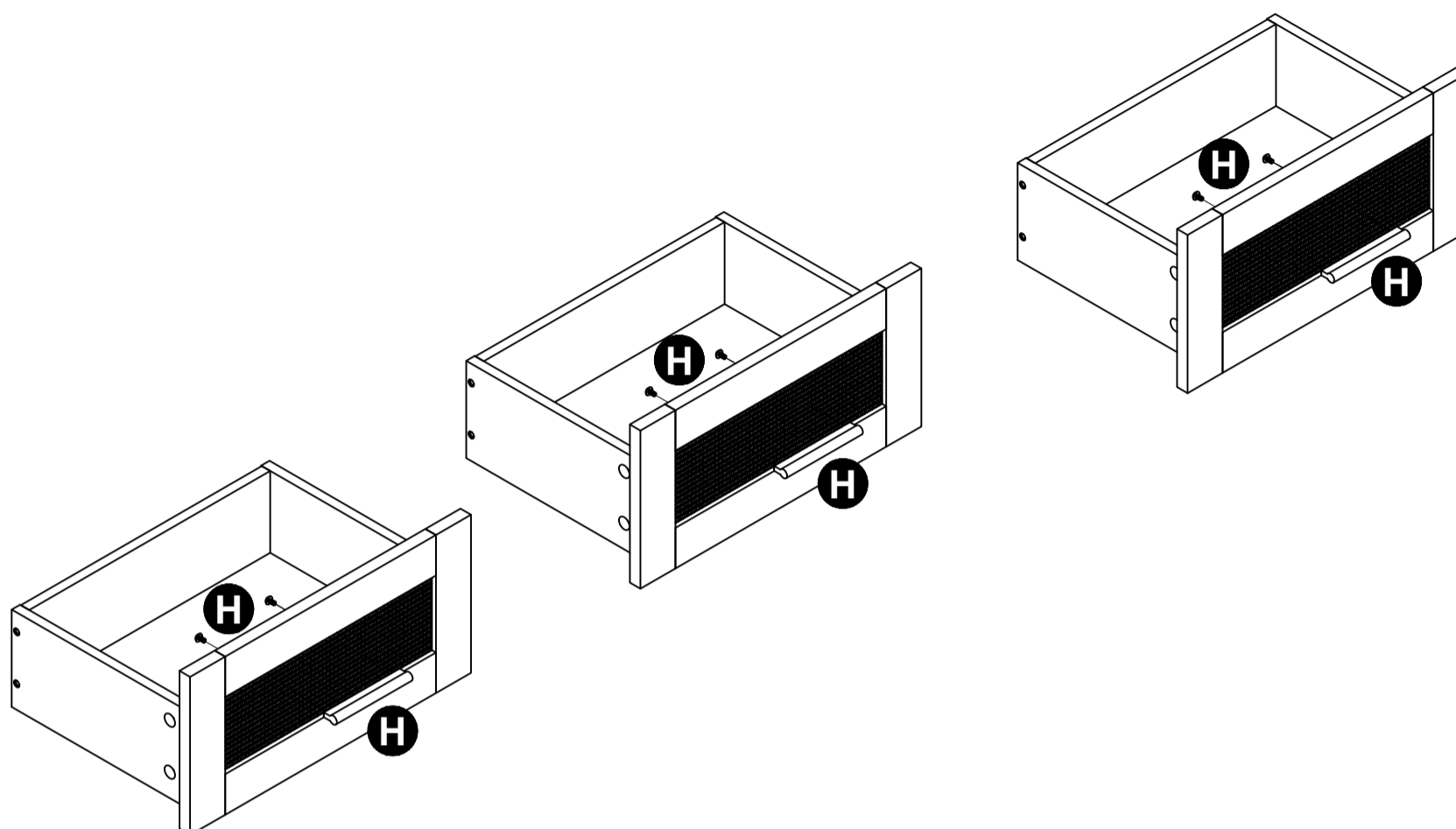
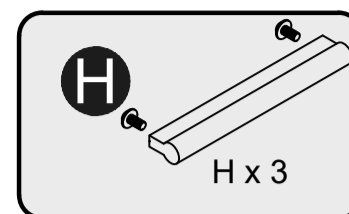


Step 22

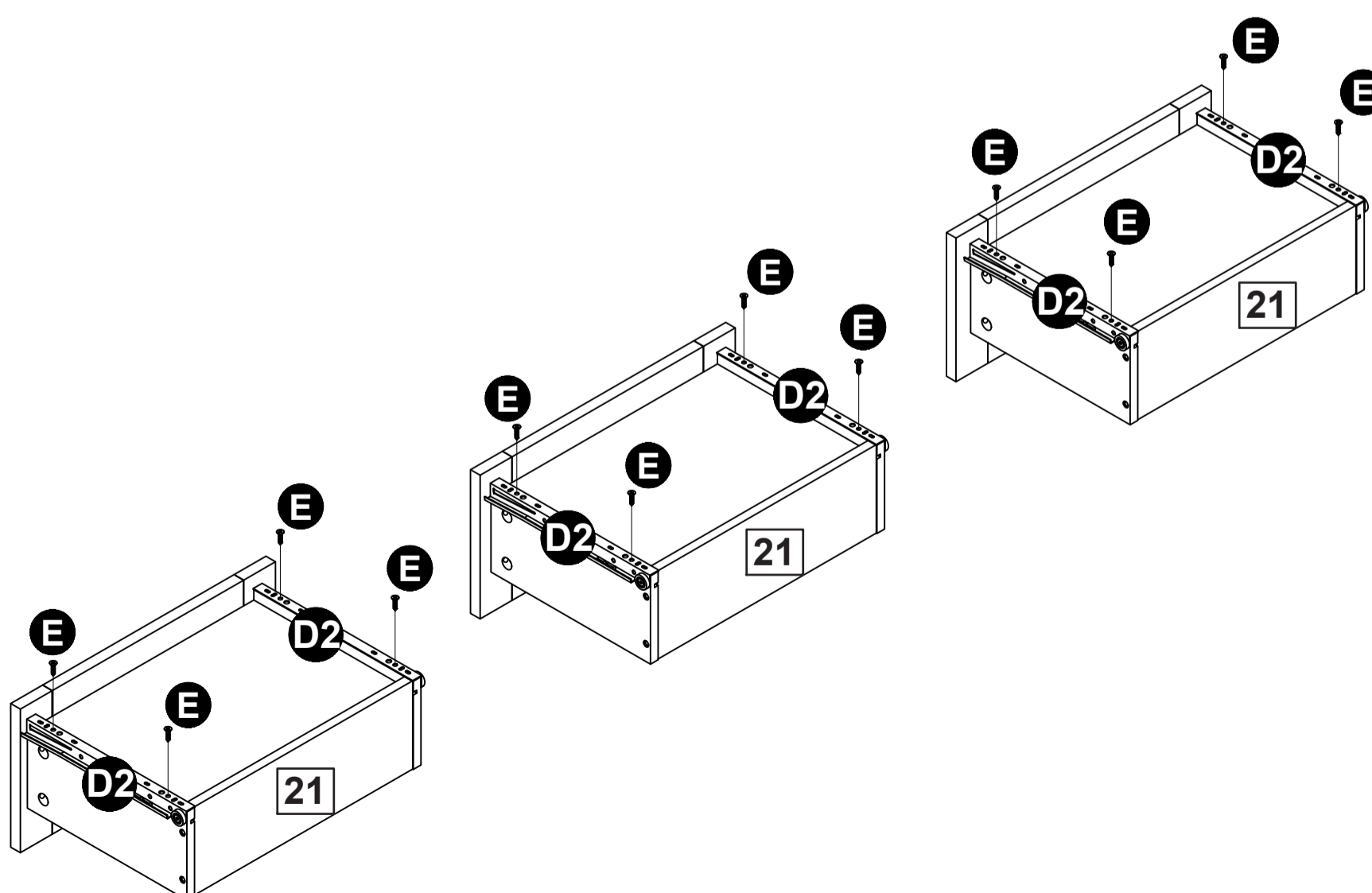


Assembly Instructions

Step 23

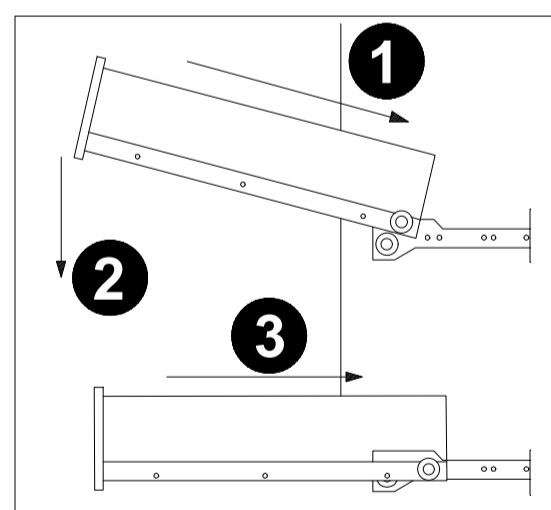
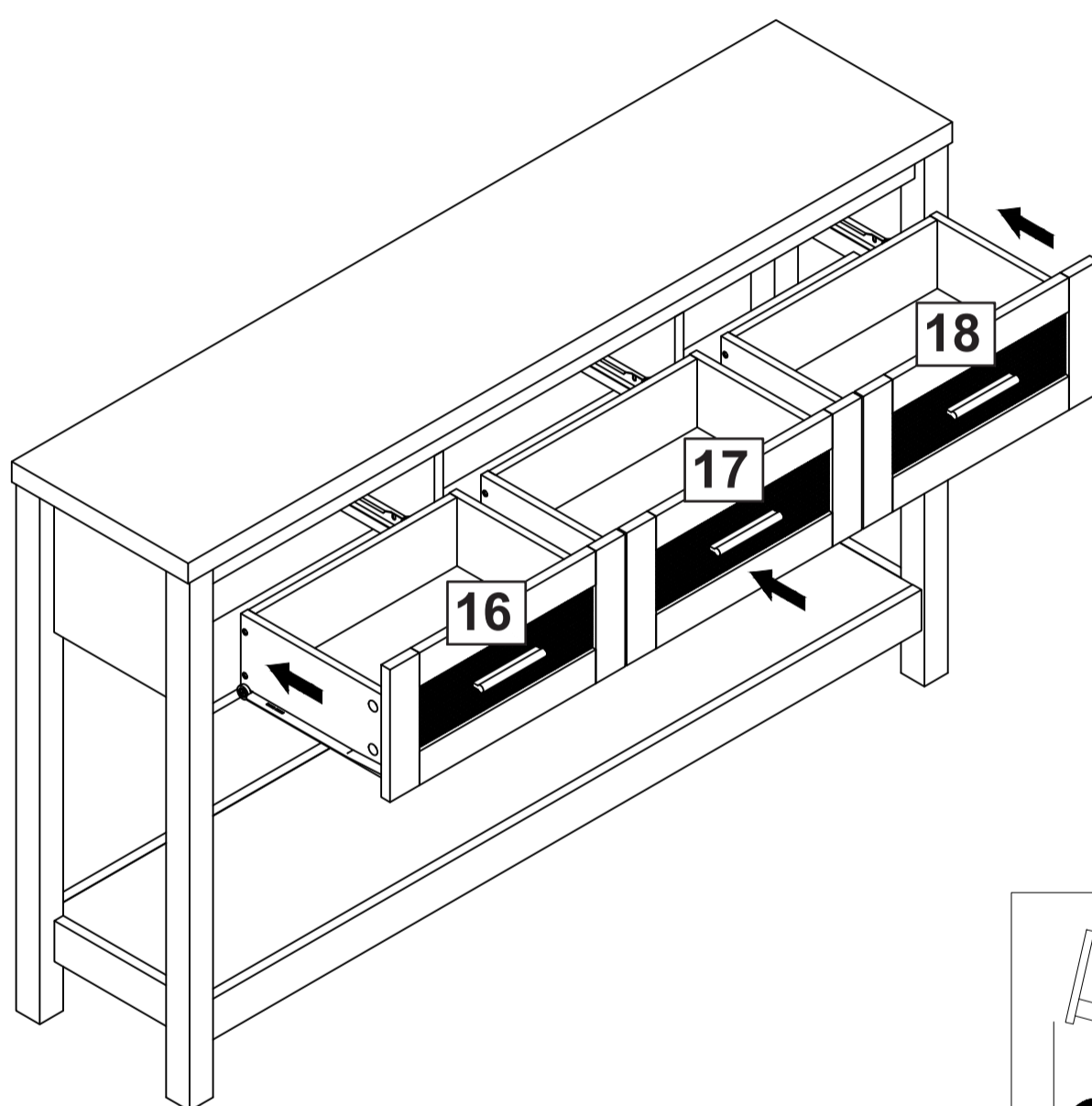


Step 24



Assembly Instructions

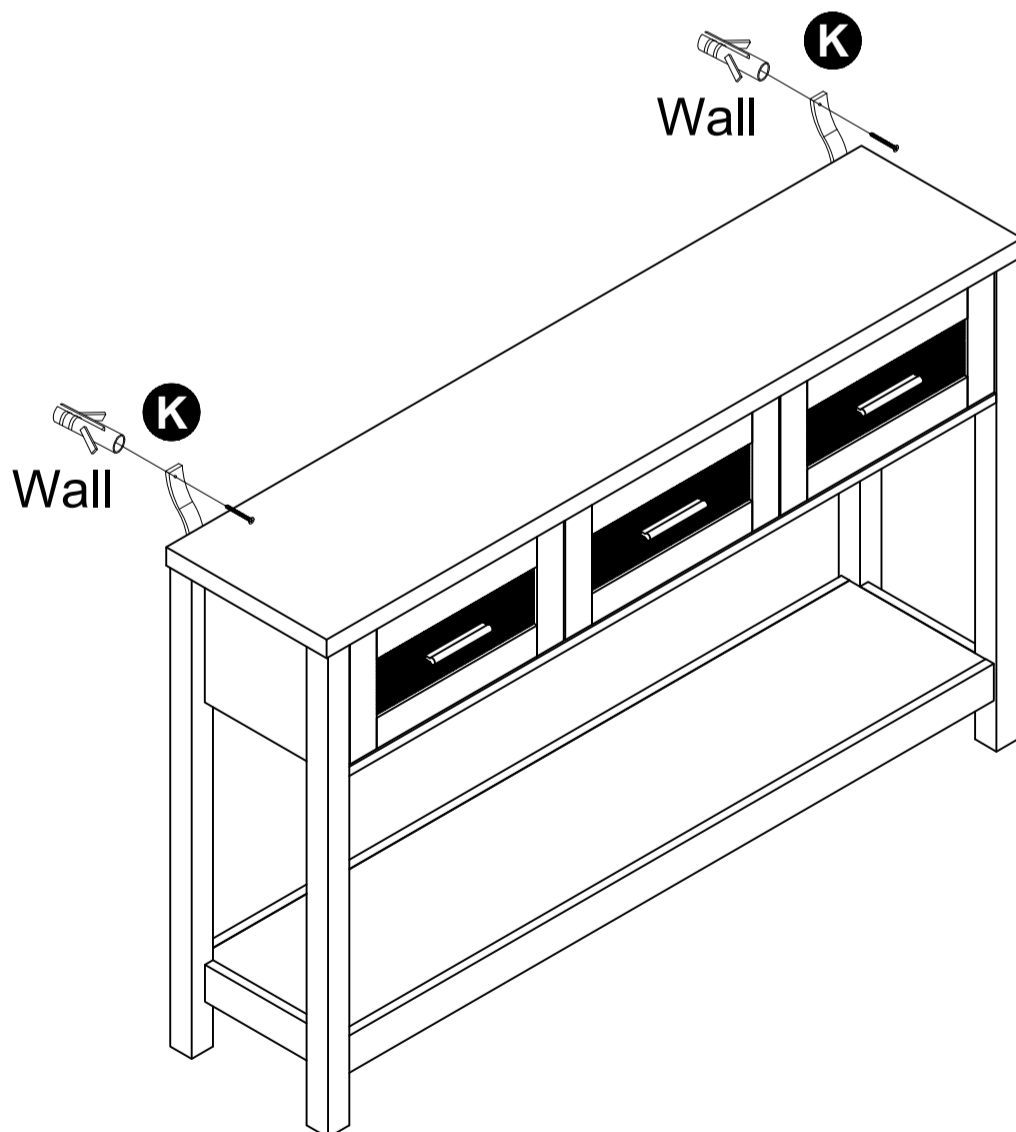
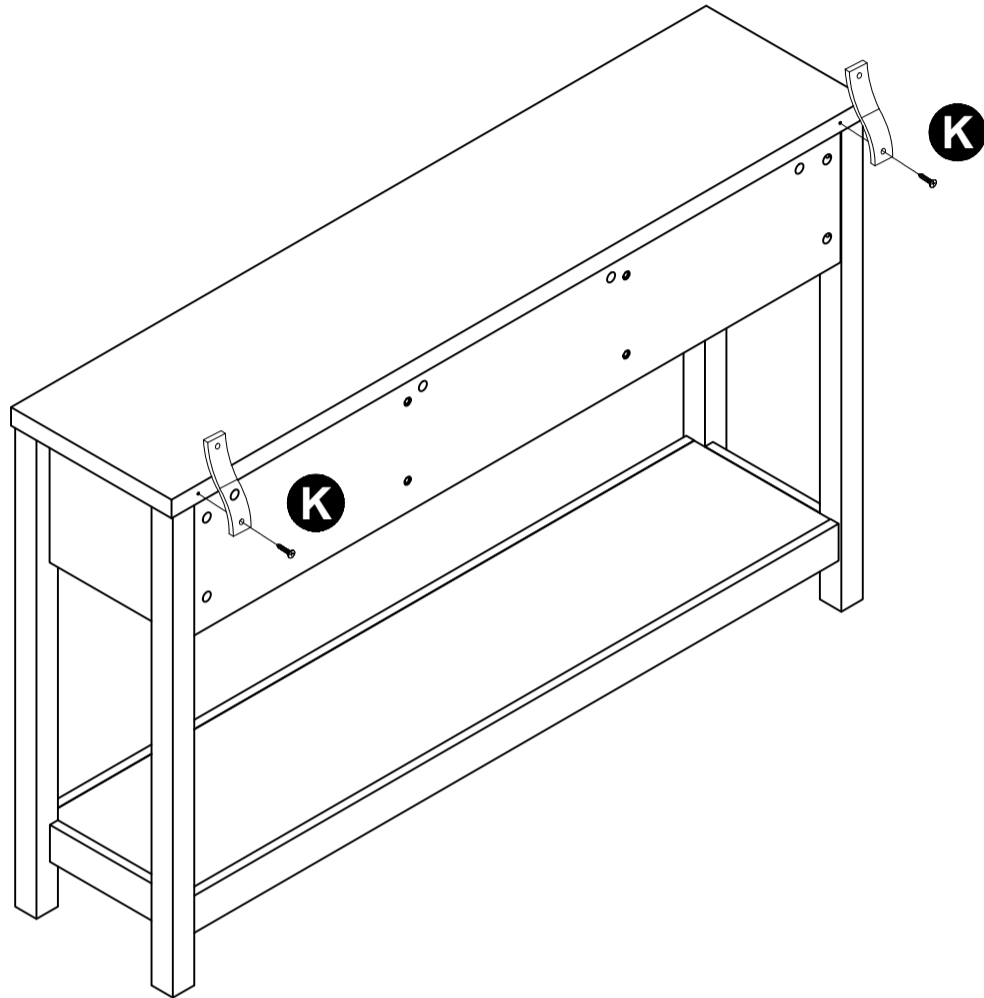
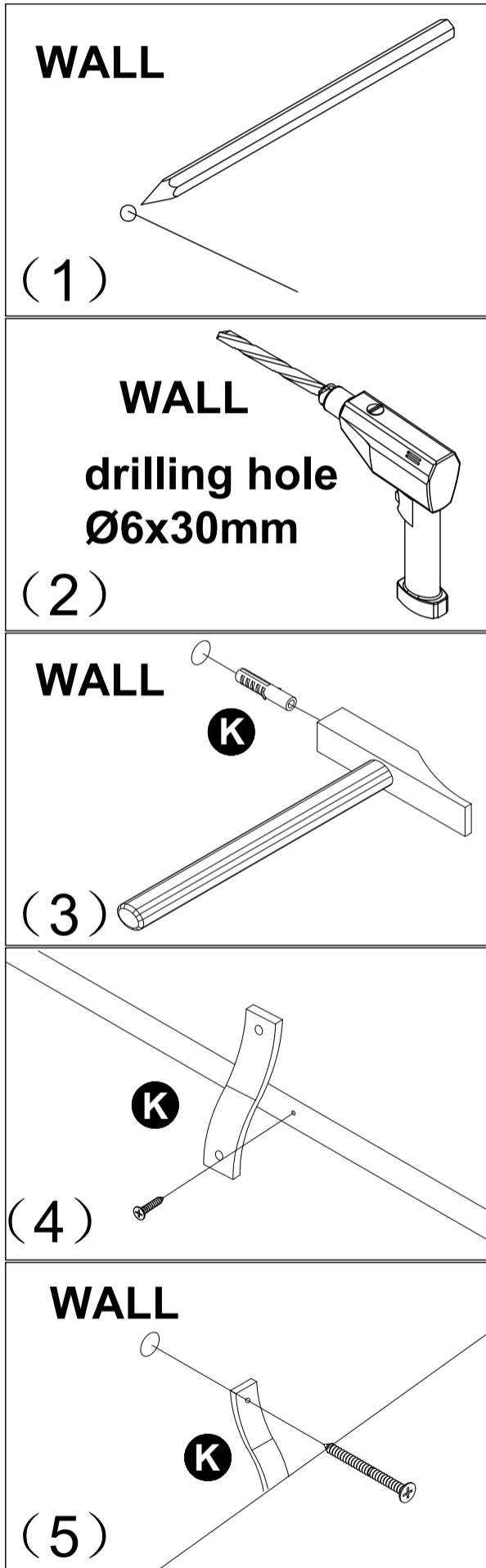
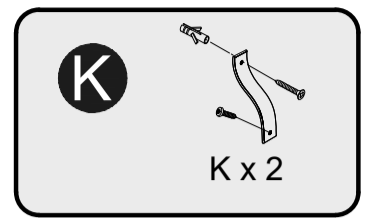
Step 25



Assembly Instructions

Step 26

DANGER - To prevent furniture from toppling attach, mount, bolt or otherwise secure to walls and floors.
Do not put heavy items on top shelves.
Do not place unstable furniture near where children play.
An anchor kit suitable for plaster walls is included with this item, if you require a different kit consult your nearest hardware store.



Assembly is complete.