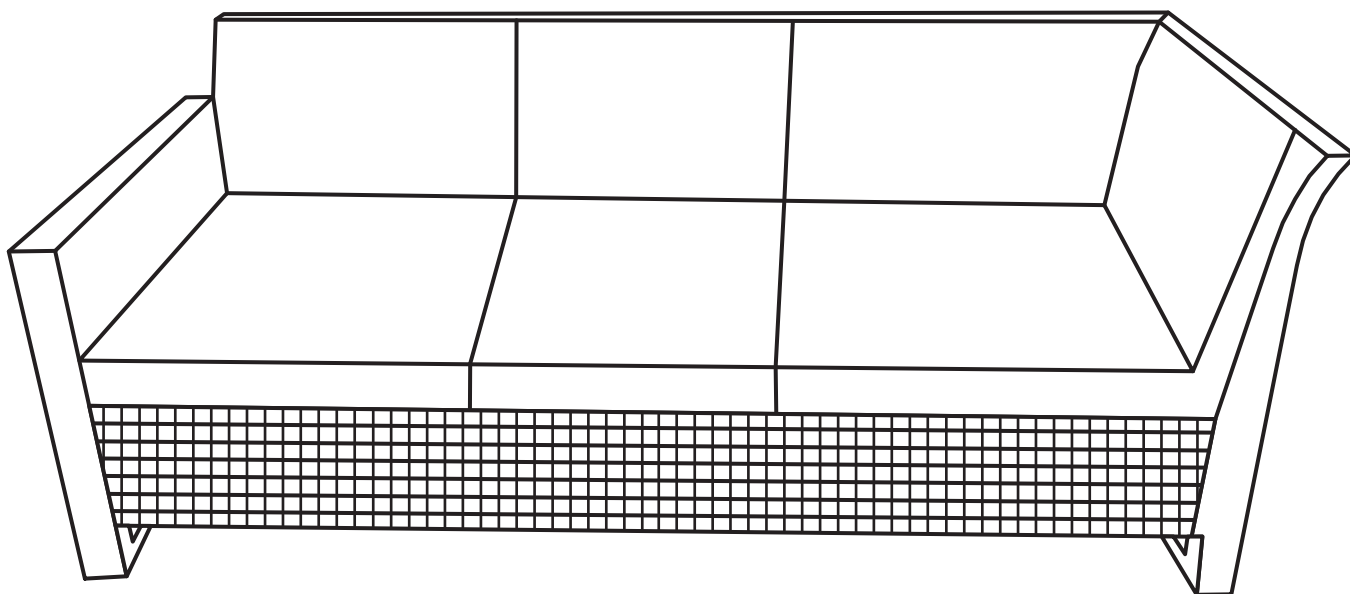


# ASSEMBLY INSTRUCTION

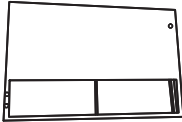

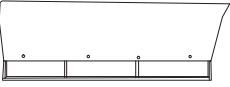
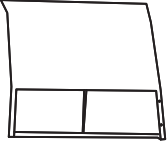
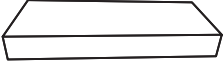
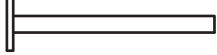
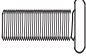




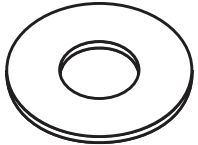
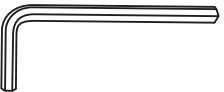
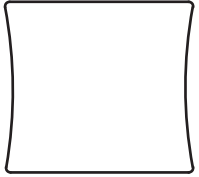
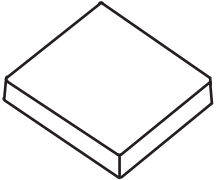


For any missing or damaging parts, hardware, or any other problem

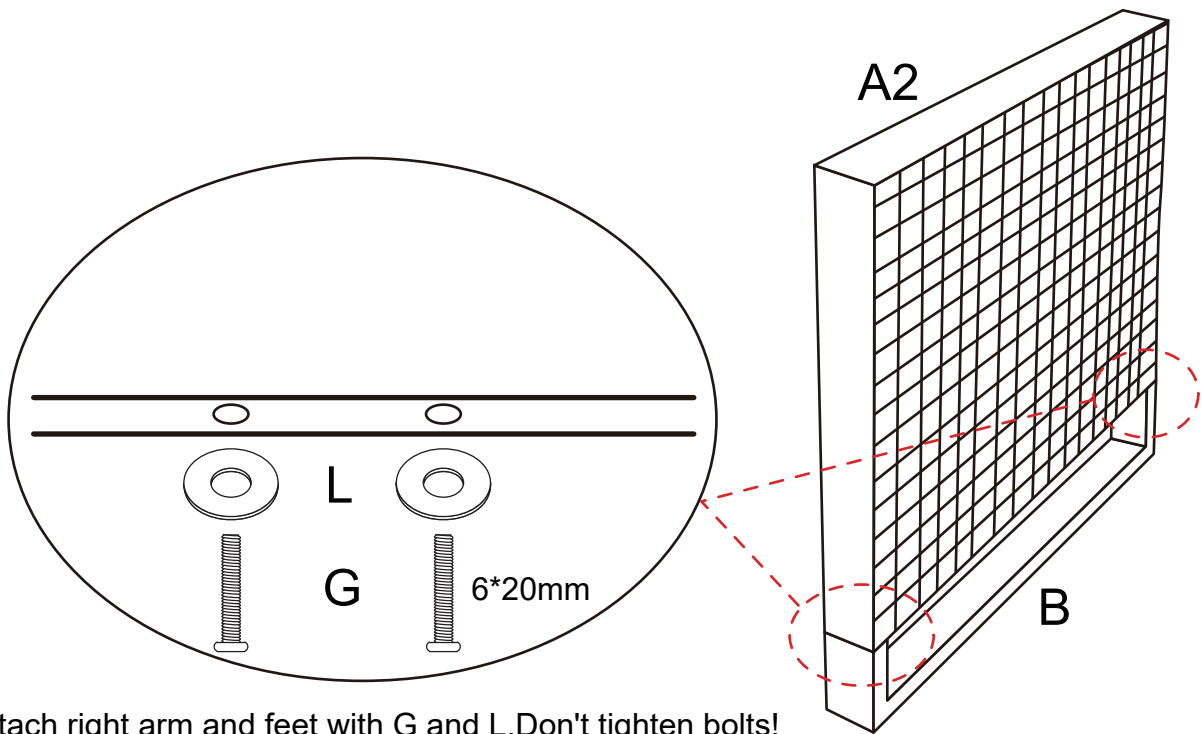
\* Don't fully tighten all the bolts till the very end!

#### PRE-ASSEMBLY PREPARATION:

- Please read through the instructions before beginning assembly.
- Clear out the space for assembly and lay out all of the parts based on the Parts List, extra room will allow you to easily determine if all the pieces are present.
- Keep small parts and pieces away from children until fully assembled.

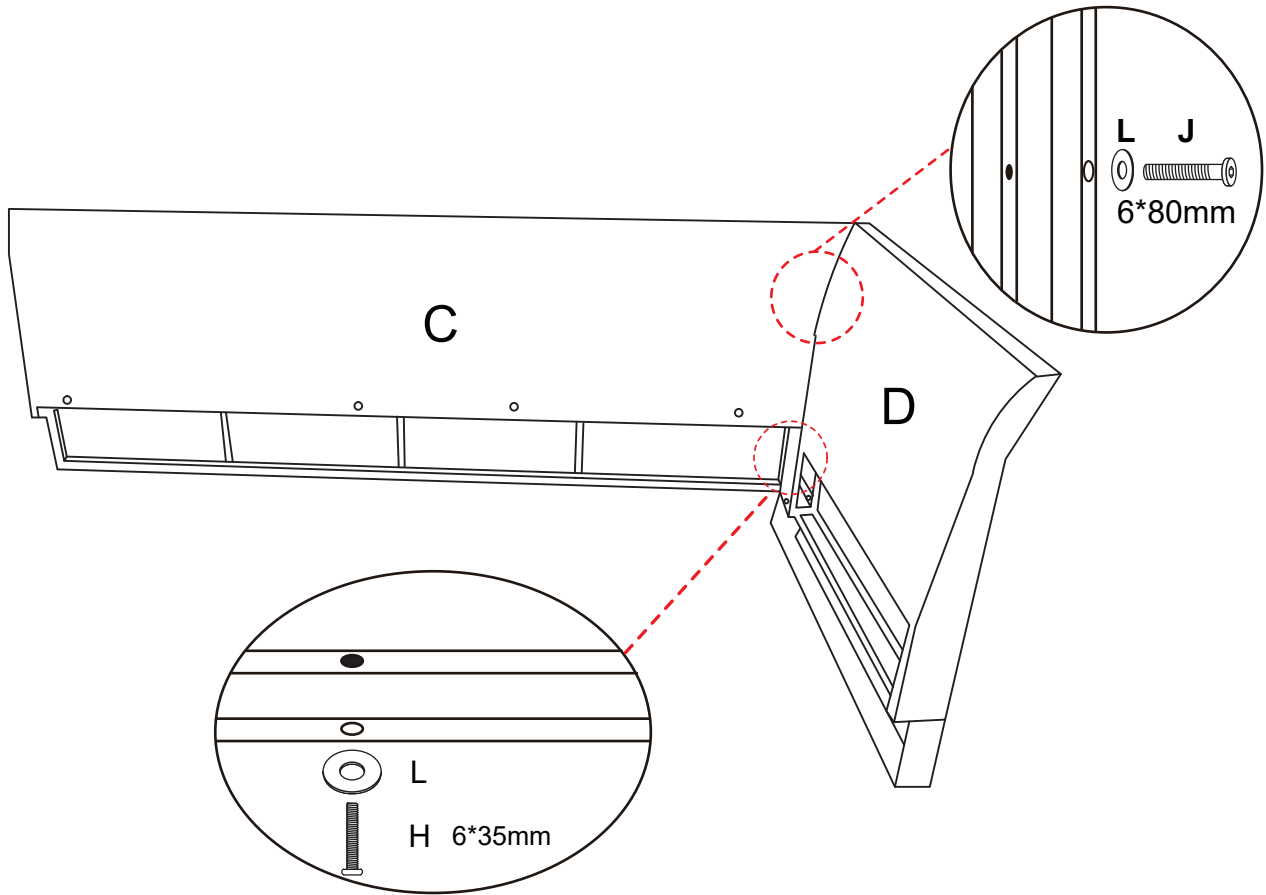
Part No.	Part	Qty	Image	Part No.	Part	Qty	Image
A2	Right Arm	1		B	Feet	2	
C	Back	1		D	Side Back	1	
E	Seat	1		F	Support	2	
G	Bolt	12	 M6 * 20MM	H	Bolt	6	 M6 * 35 MM
I	Bolt	4	 M6 * 40MM	J	Bolt	1	 M6 * 80MM
K	Bolt	1	 M6 * 95MM	L	Washer	24	
M	Wrench	1		N	Back Cushion	3	
O	Seat Cushion	3					

# STEP 1



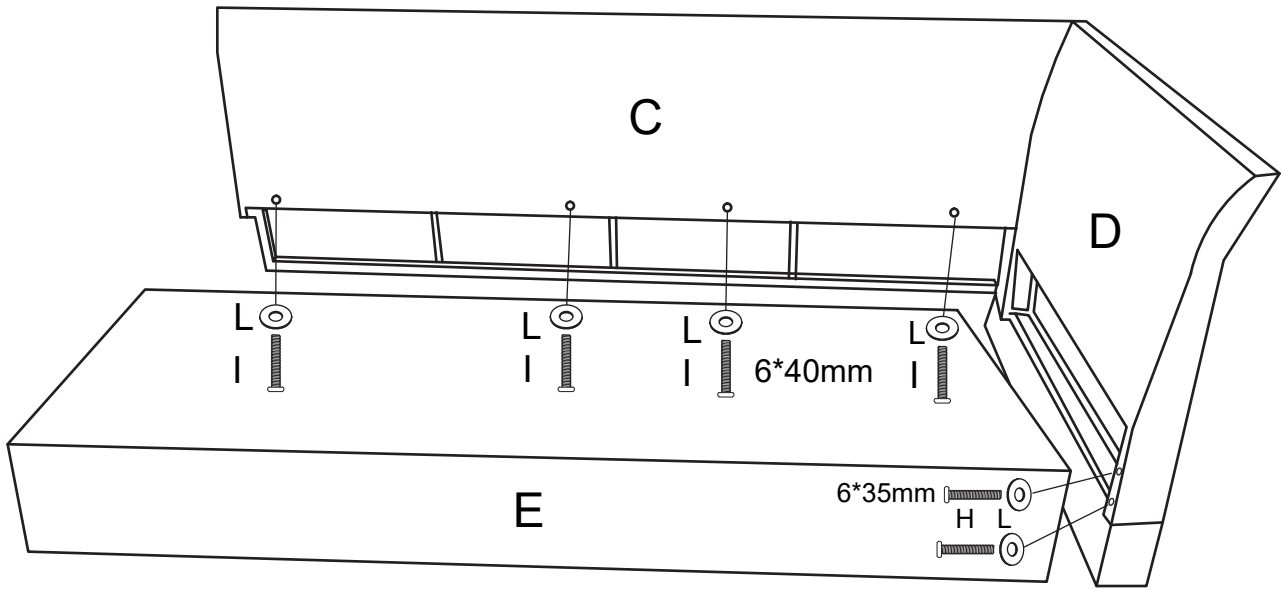
Attach right arm and feet with G and L. Don't tighten bolts!  
Attach side back and feet in the same way.

# STEP 2



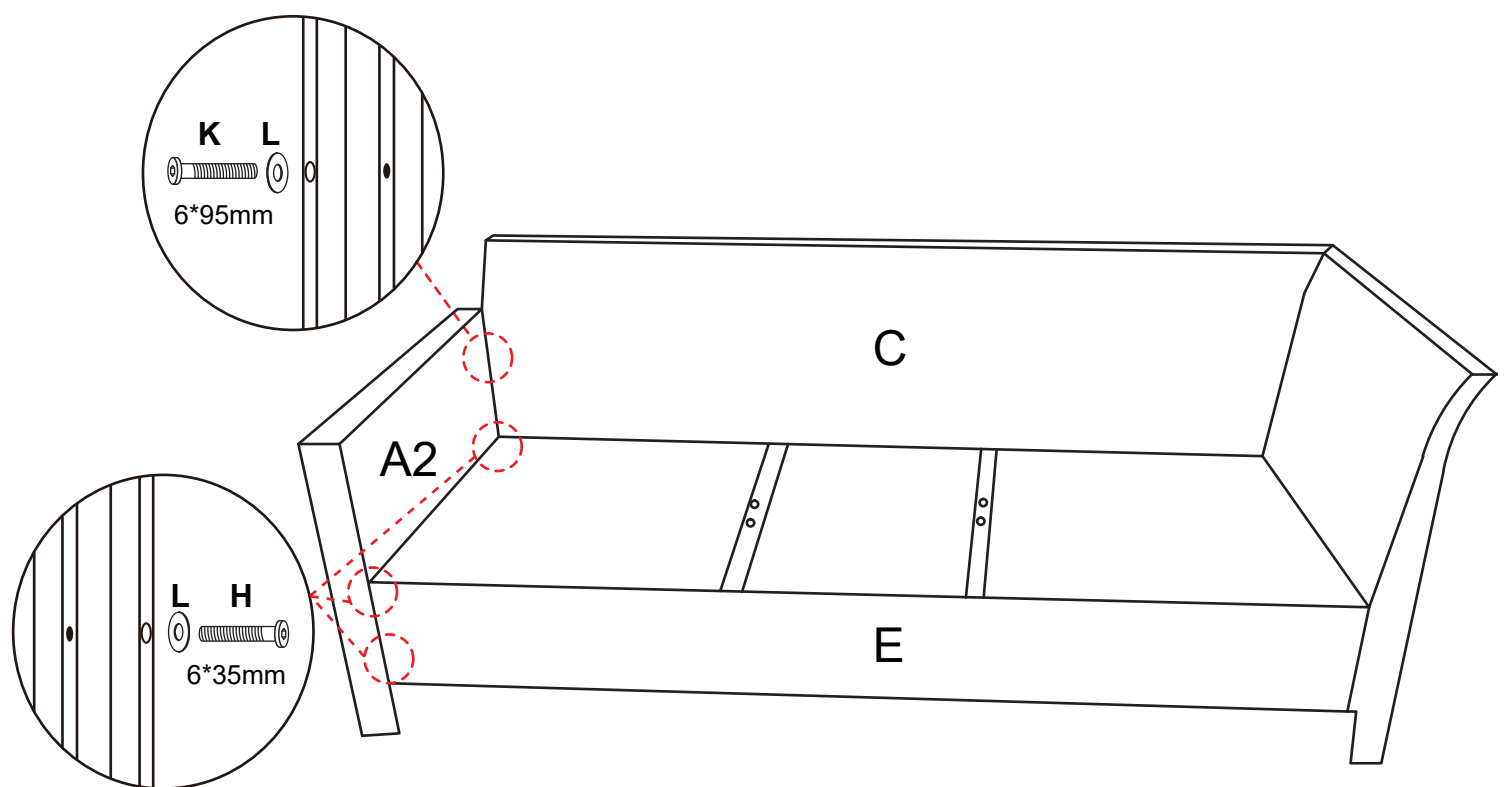
Attach back and side back with H, J and L. Don't tighten bolts!

**STEP 3**



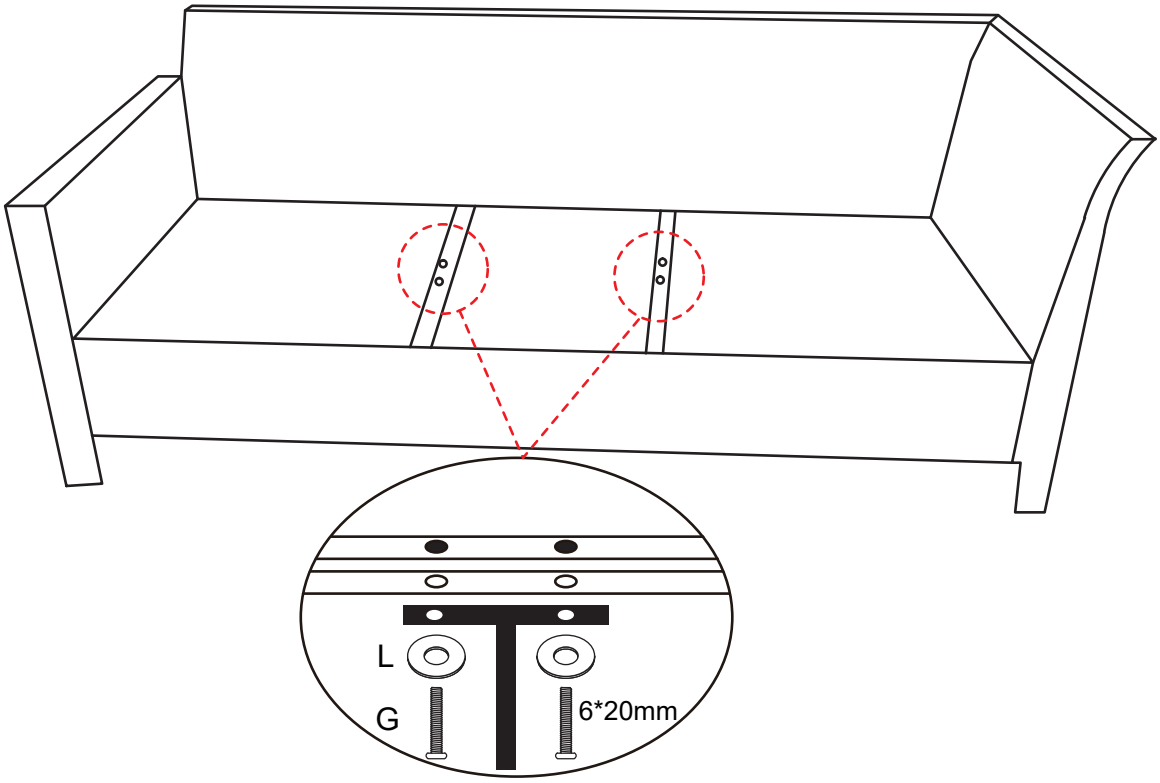
Attach seat and back with I and L. Don't tighten bolts!  
Attache seat and side back with H and L. Don't tighten bolts!

**STEP 4**



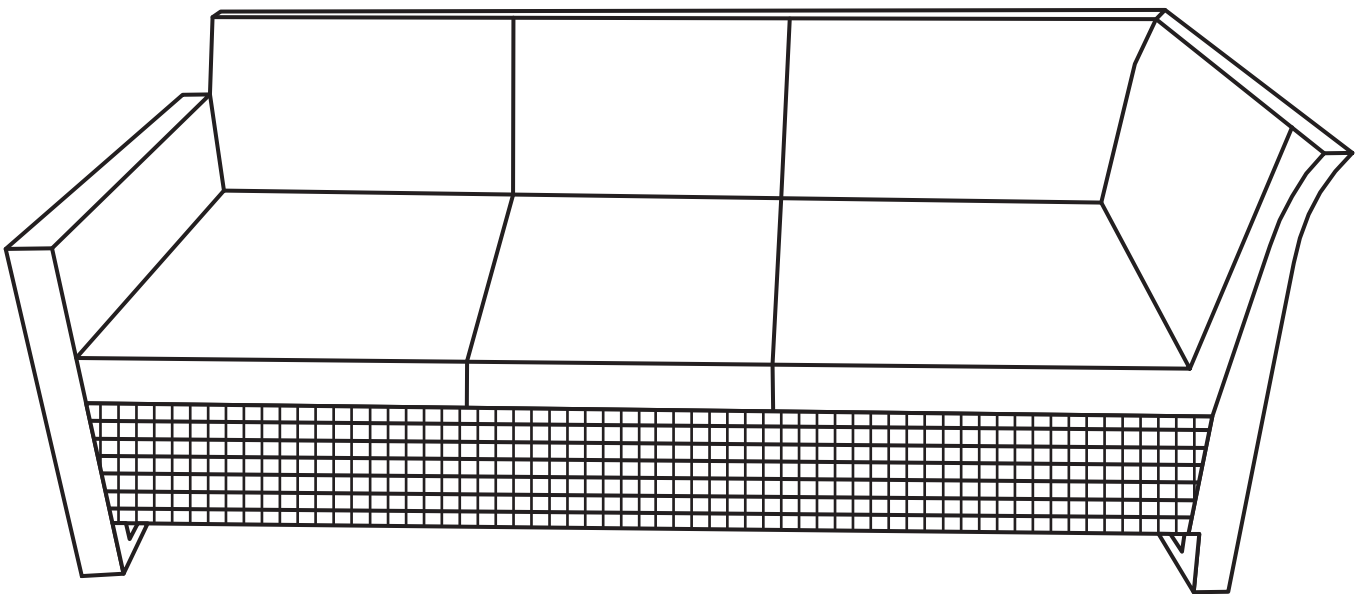
Attach seat and right arm with H and L. Don't tighten bolts!  
Attach back and right arm with H, K and L. Don't tighten bolts!

**STEP 5**



Attach seat and supports with G and L. Tighten all the bolts!

**STEP 6**



Put seat and back cushions on the sofa.