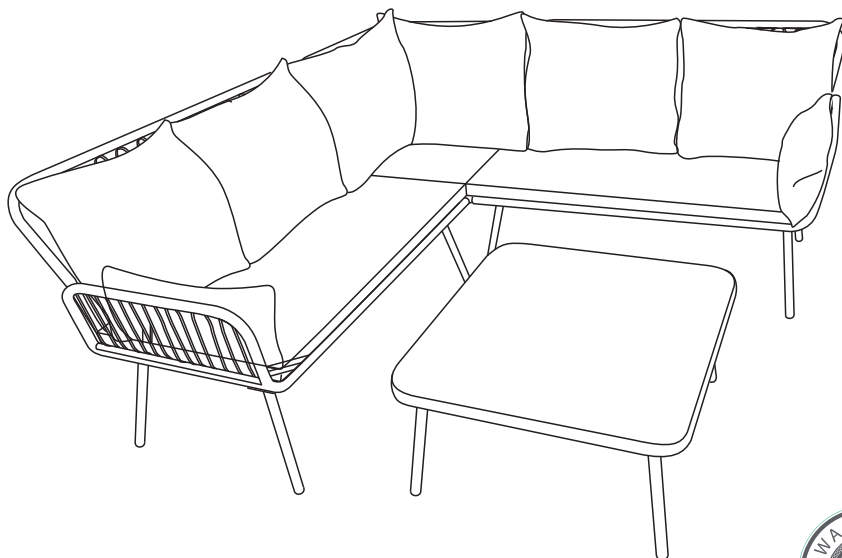


sku:ZRT07/ZRT08

Steel wicker sofa set



Thank you for choosing us!

Our goal is to provide high quality outdoor furniture with outstanding customer service-all at an affordable price.

Please let us know how we are doing!

Problems?

(Missing pieces, wrong pieces...)

We will fix it immediately. Send us an email at

aftersaledirect@gmail.com.

Happy?

Please leave us a review!

You can make others happy too!



Tip: We recommend flattening the boxes to use as a protective work surface, or setting up your new furniture on a soft floor like a carpet.



**IMPORTANT, RETAIN FOR
FUTURE REFERENCE:
READ CAREFULLY.**

Safety

- For domestic use only.
- Always use on firm level ground.
- Don't tighten all the bolts before the product is fully assembled.
- It would be useful to ask someone to help you assemble the product.
- Periodic structural checks of this product should be undertaken, do not use if you have any doubts about its fitness for purpose.
- Do not stand on the seat.
- Do not let children play with this product.
- Maximum load per seat: 250 lbs.

At the beginning of the season

- Check to ensure that all components and fixings of this product are secure, do not use if you have any doubts about its fitness for purpose.

At the end of the season

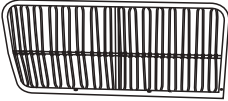





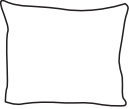

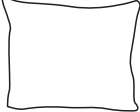

- This product should be stored under cover during prolonged spells of adverse weather (wet or cold) and also during the winter (ideally in a garden shed or garage).
- Always clean and dry thoroughly before storage.

NOTE:



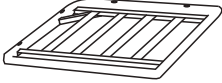
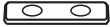
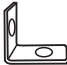
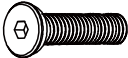
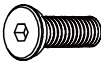


Vaccum compressed cushions,
Will return to normal shape after 5-7 days use.



COMPONENT LIST - SOFA

Item no.	Reference Image	Description	Qty.
A		Right Back	1
B		Left Back	1
C		Right Seat Panel	1
D		Left Seat Panel	1
E		Leg	9
F		Seat Cushion	2
G		Back Cushion	5
H		Short Cushion	2
U		Small Back Cushion	1
V		Small Seat Cushion	1

COMPONENT LIST - SOFA

Item no.	Reference Image	Description	Qty.
R		Left Middle Back	1
S		Right Middle Back	1
T		Middle Seat Panel	1
I		Fittings	2
J		Fittings	4
K		M6*35 Head Cap Screw	16
L		M6*15 Head Cap Screw	39
M		Washer	55
N		Allen Key	1

NOTE:

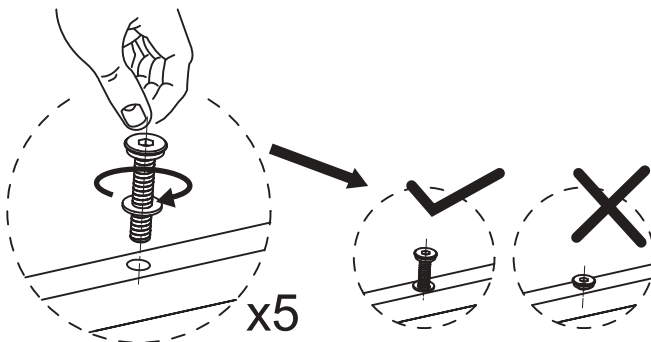
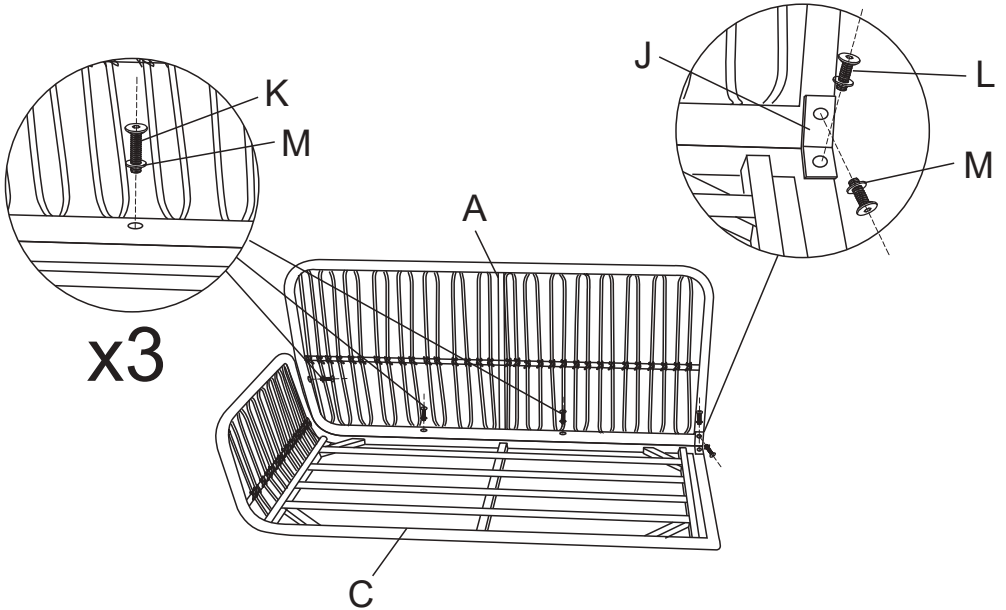
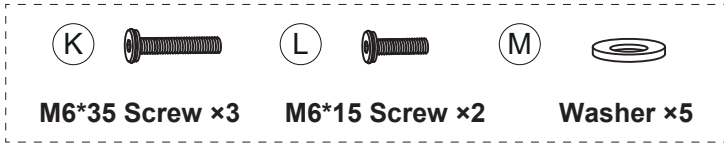
Do NOT tighten any screws fully first until you have tightened all the screws.

This may cause the frame to warp.

If there is still wobbles or screw holes cannot be aligned, loosen the screws and tighten sequentially.

If the Sofa is not stable it could lead to damage to the product.

01



NOTE: DO NOT TIGHTEN THE SCREWS COMPLETELY.

02

L

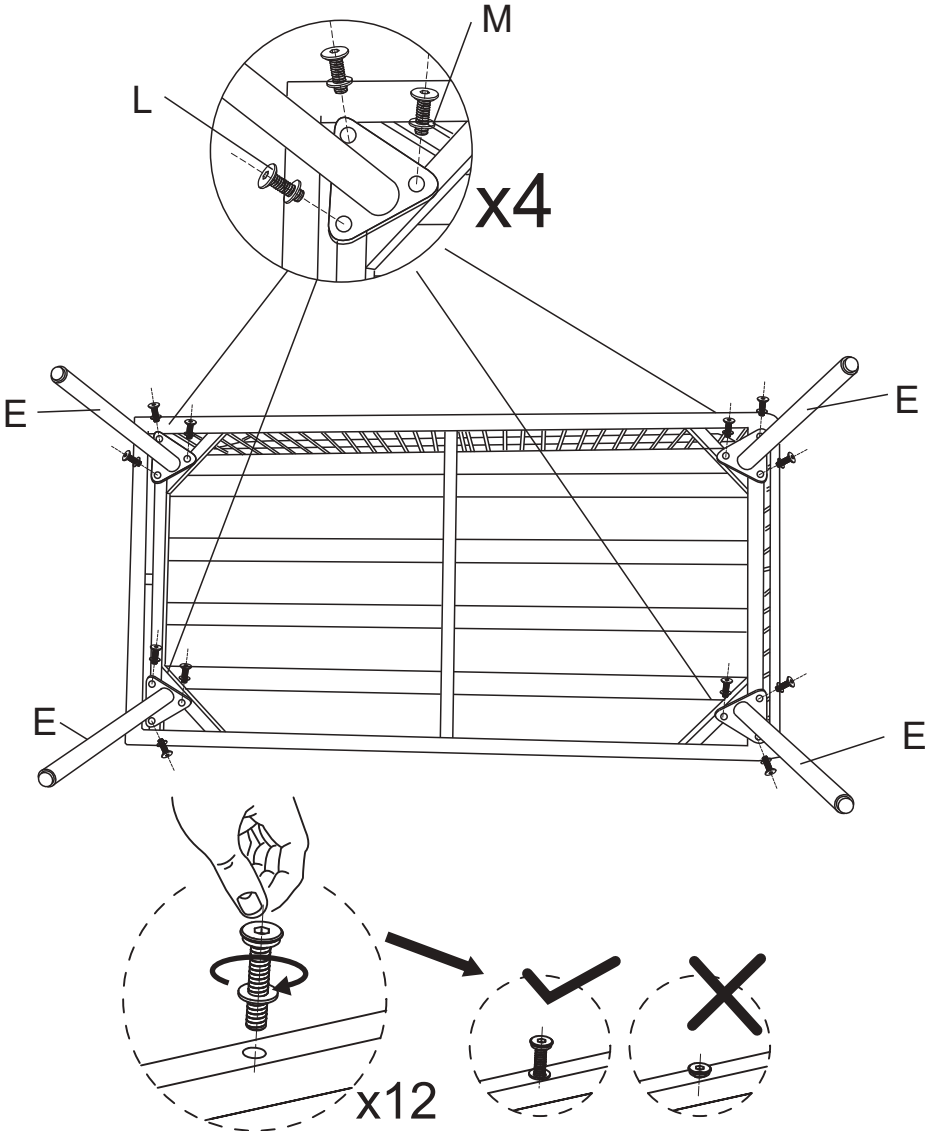


M



M6*15 Screw x12

Washer x12



NOTE:DO NOT TIGHTEN THE SCREWS COMPLETELY.

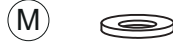
03



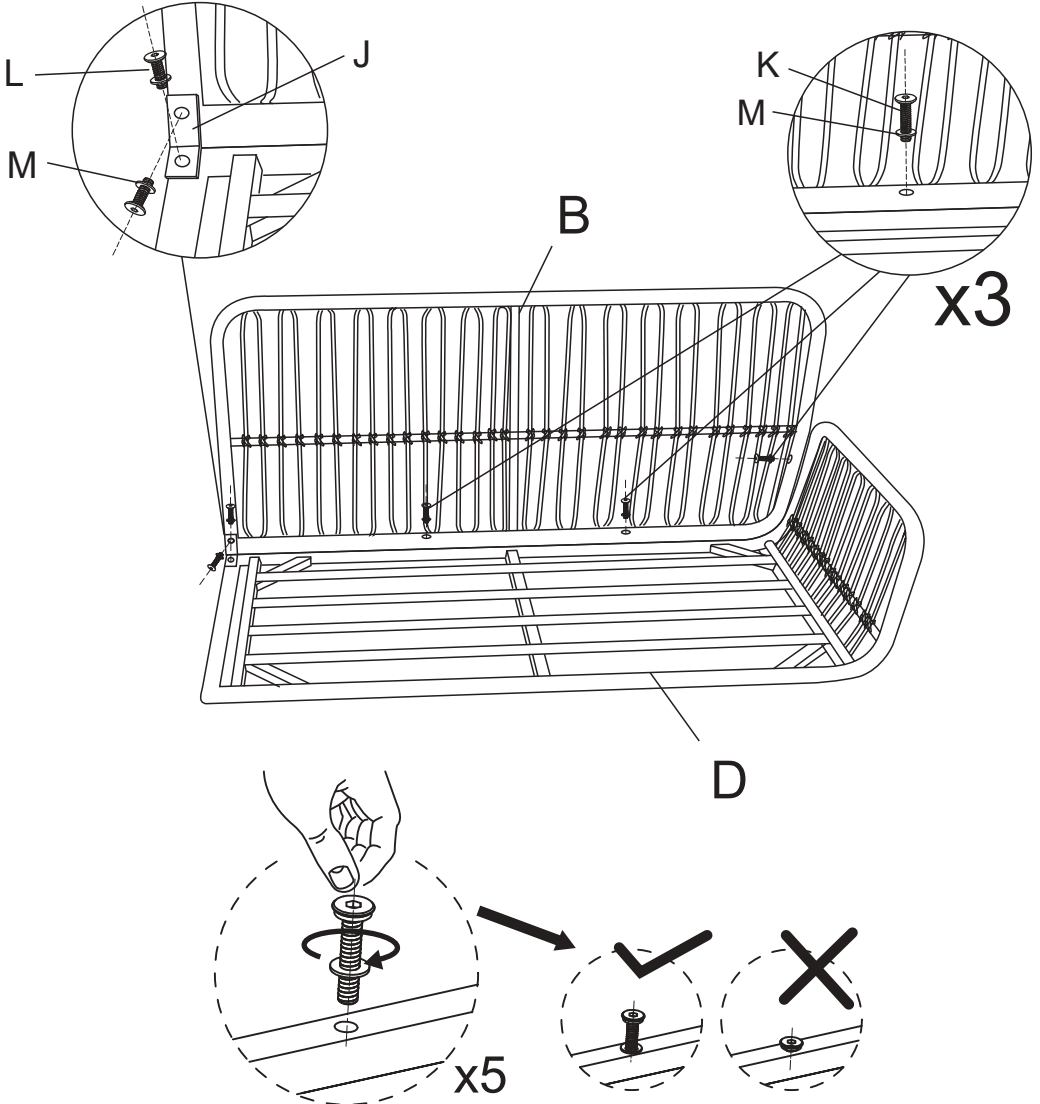
M6*35 Screw x3



M6*15 Screw x2

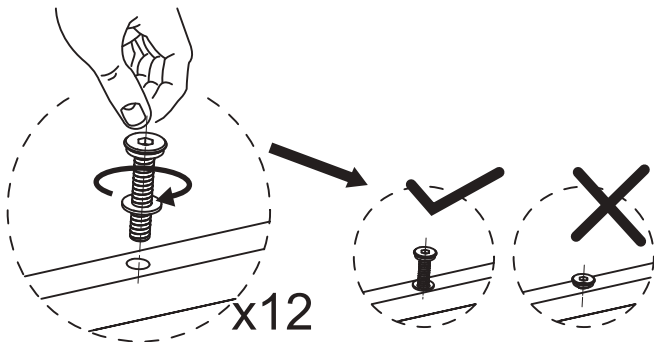
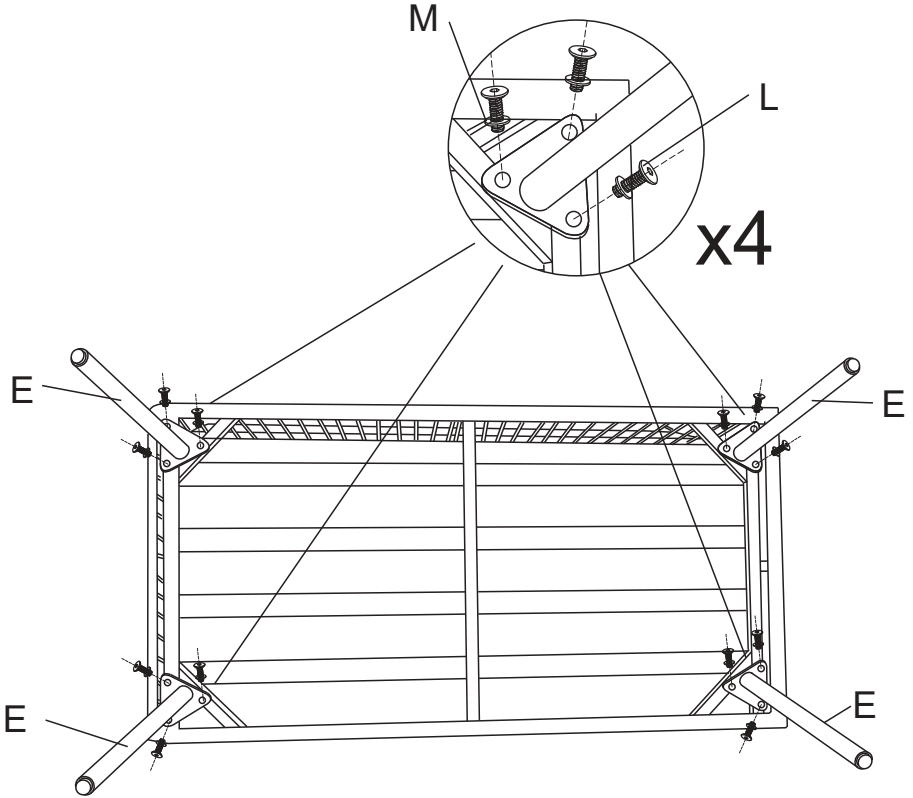
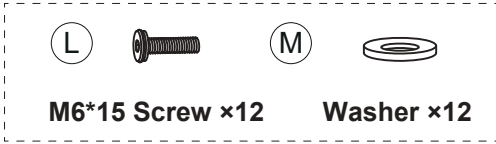


Washer x5



NOTE: DO NOT TIGHTEN THE SCREWS COMPLETELY.

04



NOTE: DO NOT TIGHTEN THE SCREWS COMPLETELY.

05

(K)



M6*35 Screw x6

(L)

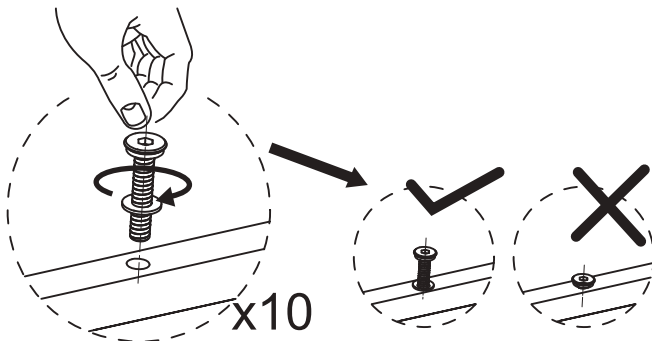
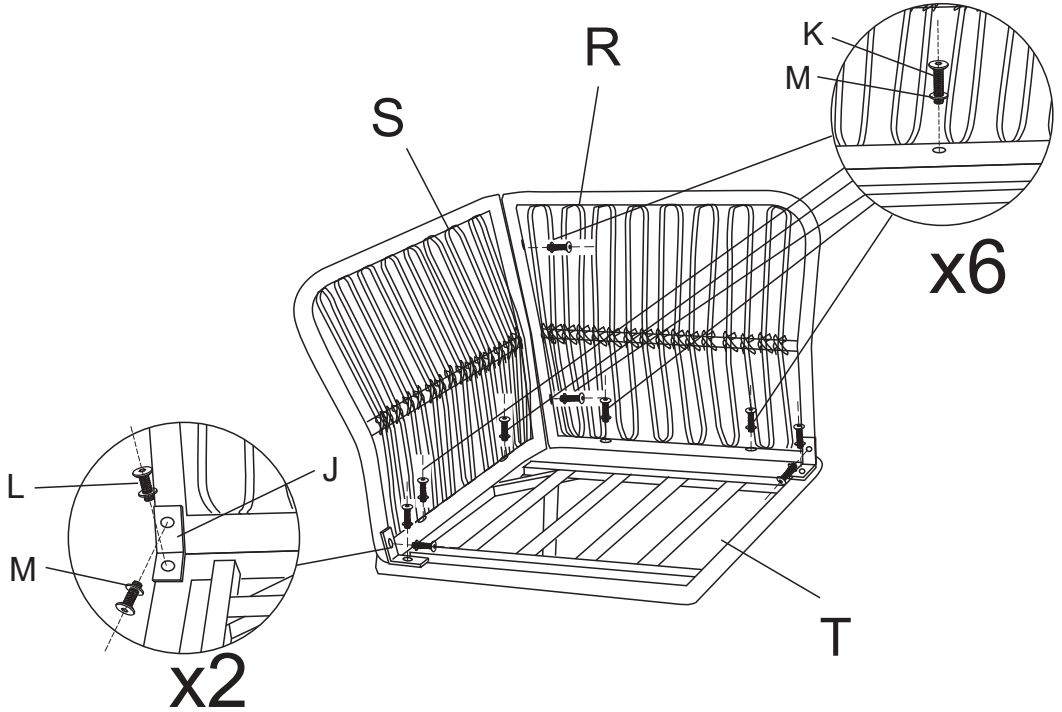


M6*15 Screw x4

(M)

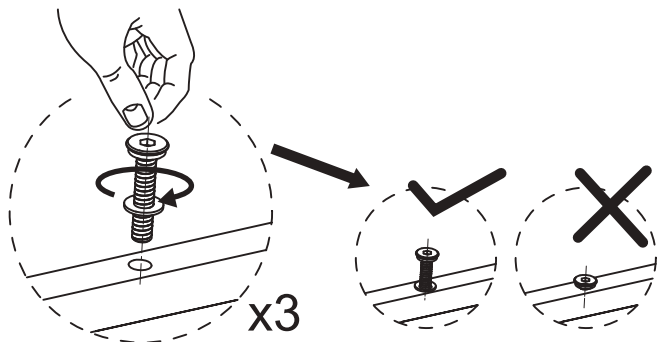
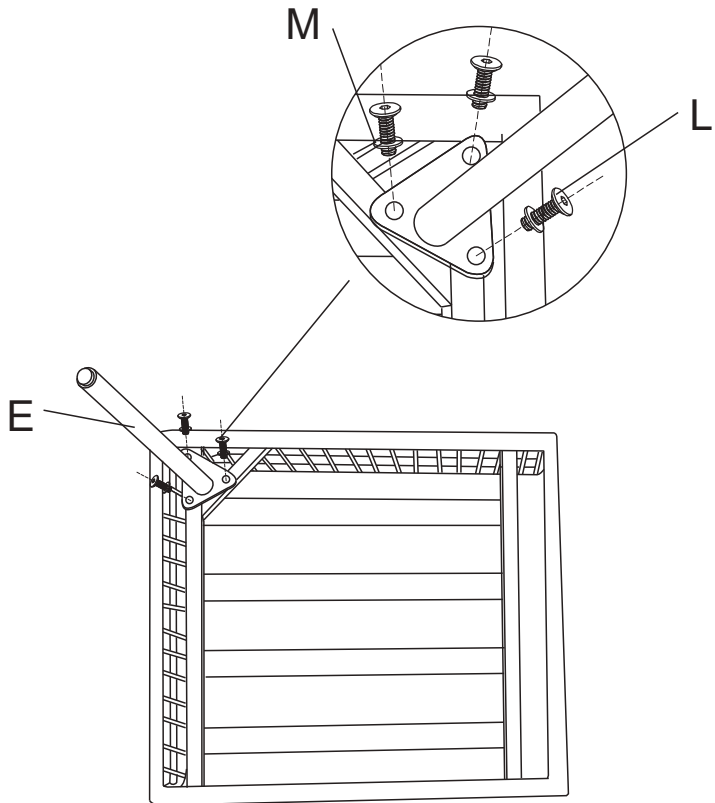


Washer x10



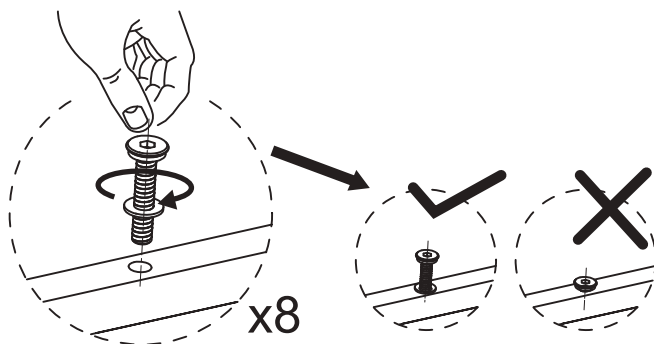
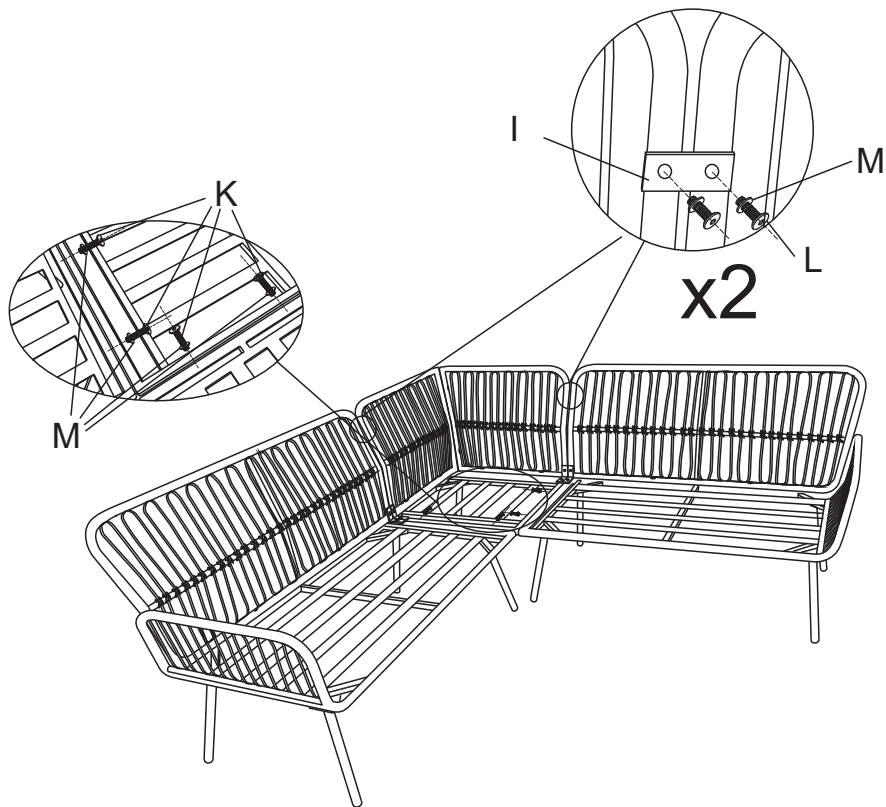
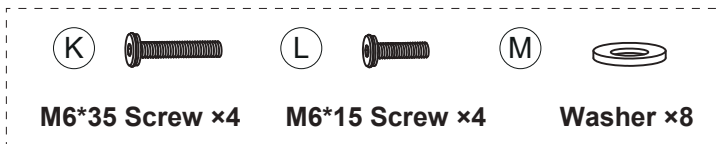
NOTE: DO NOT TIGHTEN THE SCREWS COMPLETELY.

06



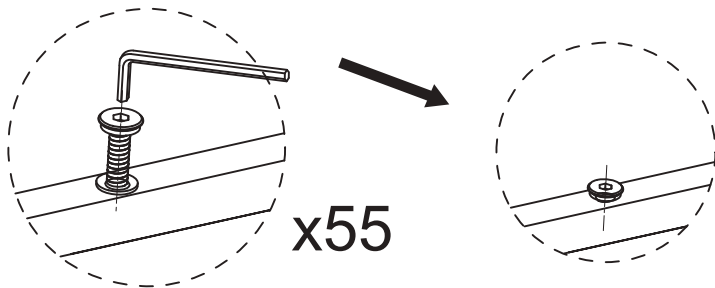
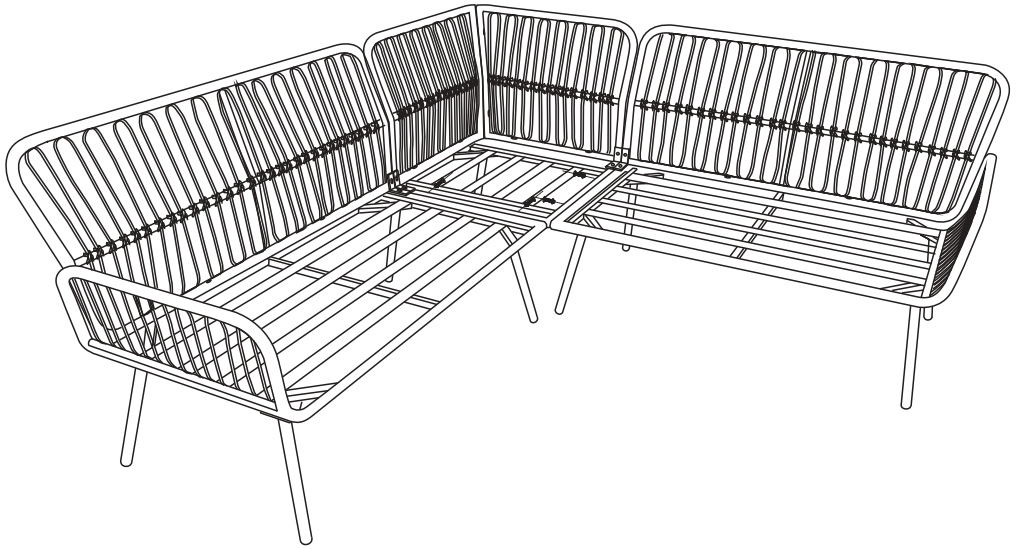
NOTE: DO NOT TIGHTEN THE SCREWS COMPLETELY.

07



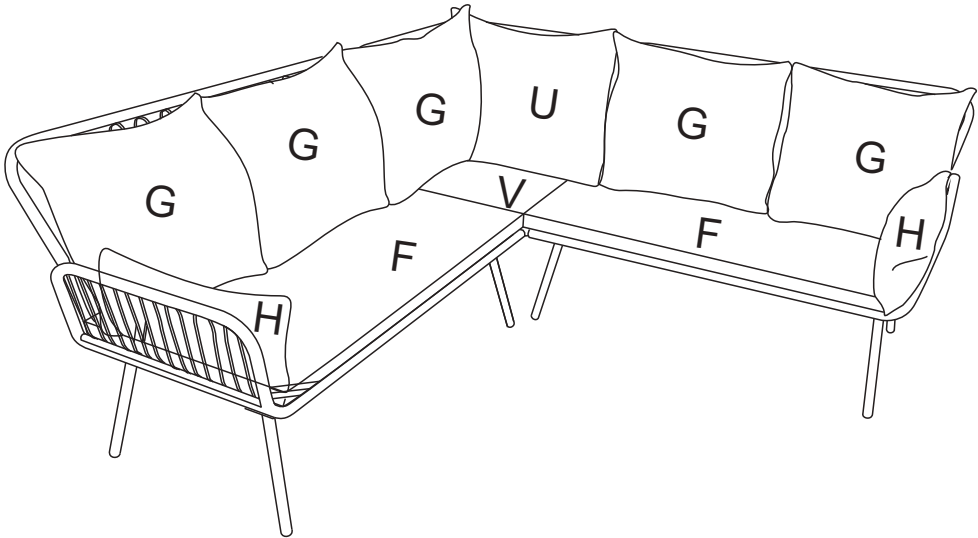
NOTE: DO NOT TIGHTEN THE SCREWS COMPLETELY.

08 Tighten all 55 Screws into place with Allen Key.

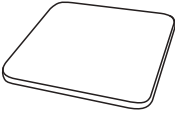
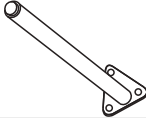





NOTE:IF ANY SCREW HOLES CANNOT BE ALIGNED, LOOSEN ALL THE SCREWS AND GO BACK STEP 1 AND RESTART ASSEMBLY.

09



COMPONENT LIST - TABLE

Item no.	Reference Image	Description	Qty.
O		Table Top	1
E1		Leg	4
L		M6*15 Head Cap Screw	12
M		Washer	12
N		Allen Key	1

NOTE:

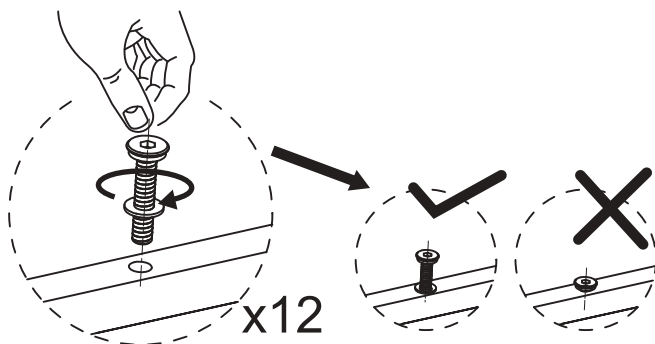
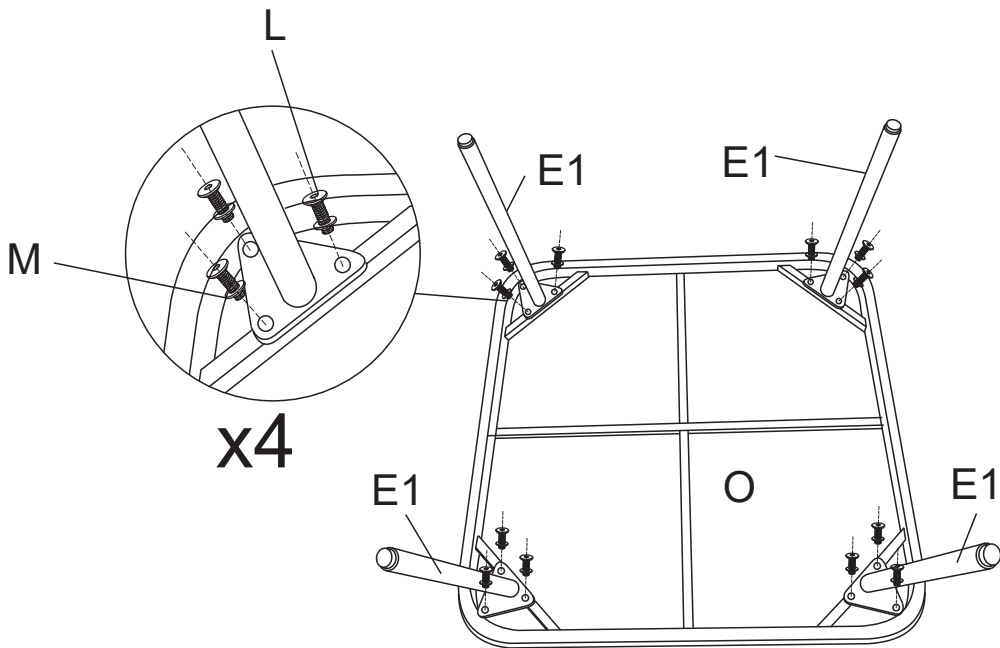
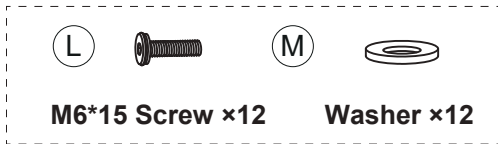
Do NOT tighten any screws fully first until you have tightened all the screws.

This may cause the frame to warp.

If there is still wobbles or screw holes cannot be aligned, loosen the screws and tighten sequentially.

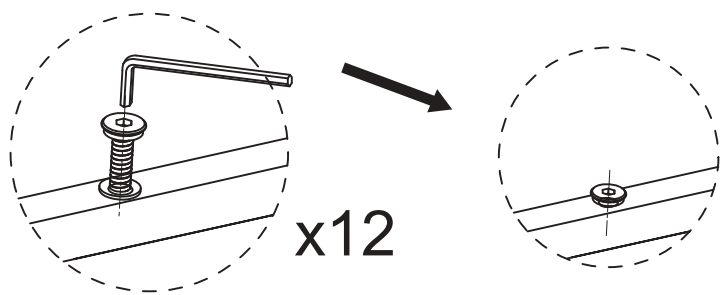
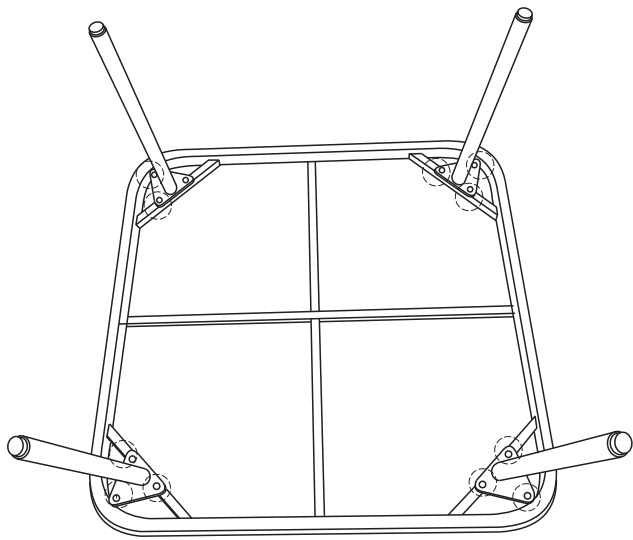
If the Table is not stable it could lead to damage to the product.

01



NOTE: DO NOT TIGHTEN THE SCREWS COMPLETELY.

02 Tighten all 12 Screws into place with Allen Key.



NOTE:IF ANY SCREW HOLES CANNOT BE ALIGNED, LOOSEN ALL THE SCREWS AND GO BACK STEP 1 AND RESTART ASSEMBLY.

03

