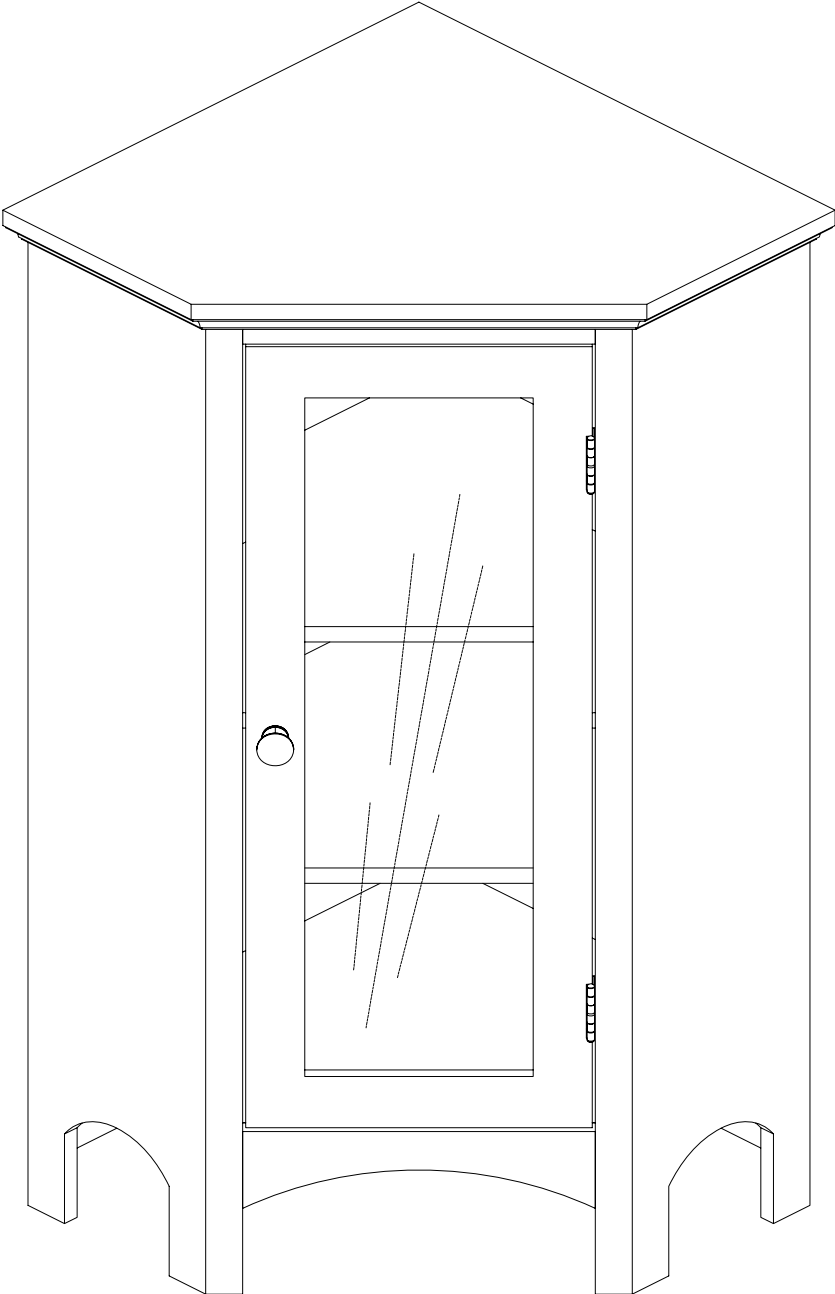
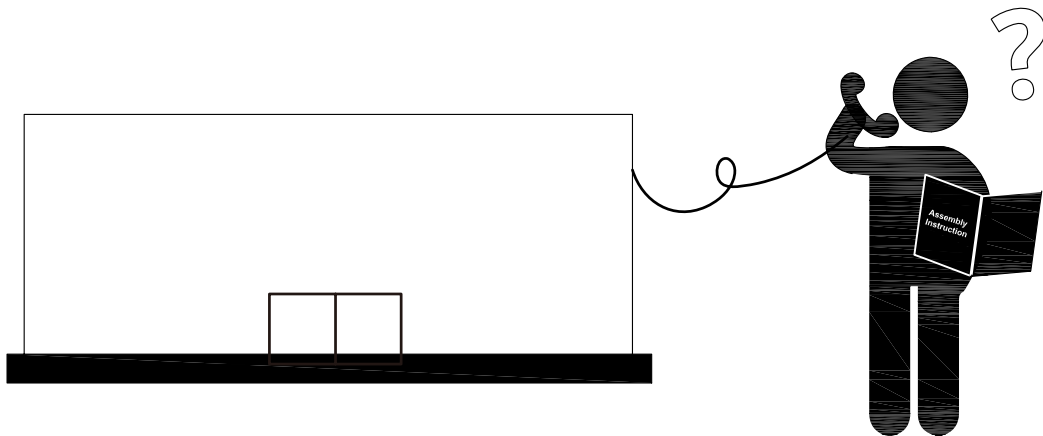
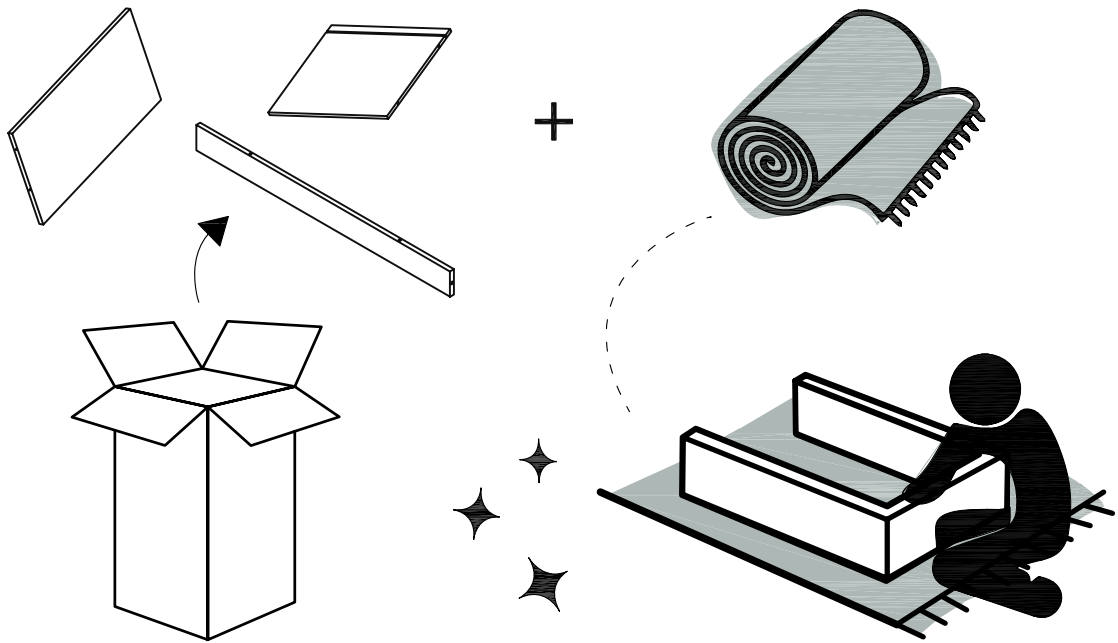
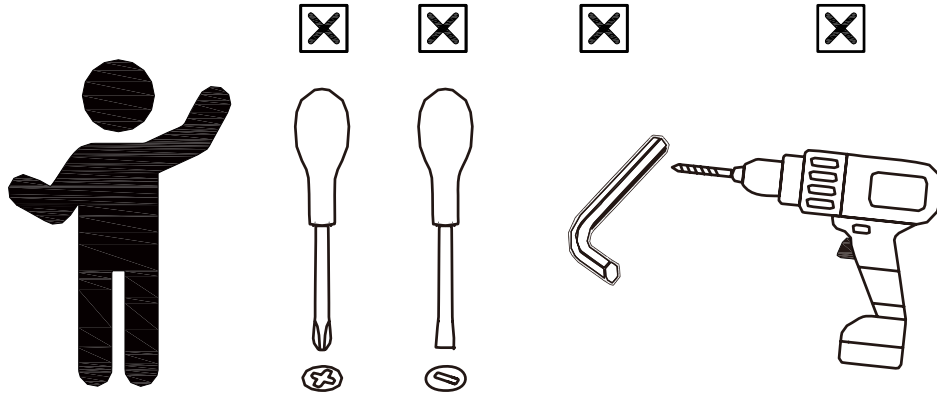
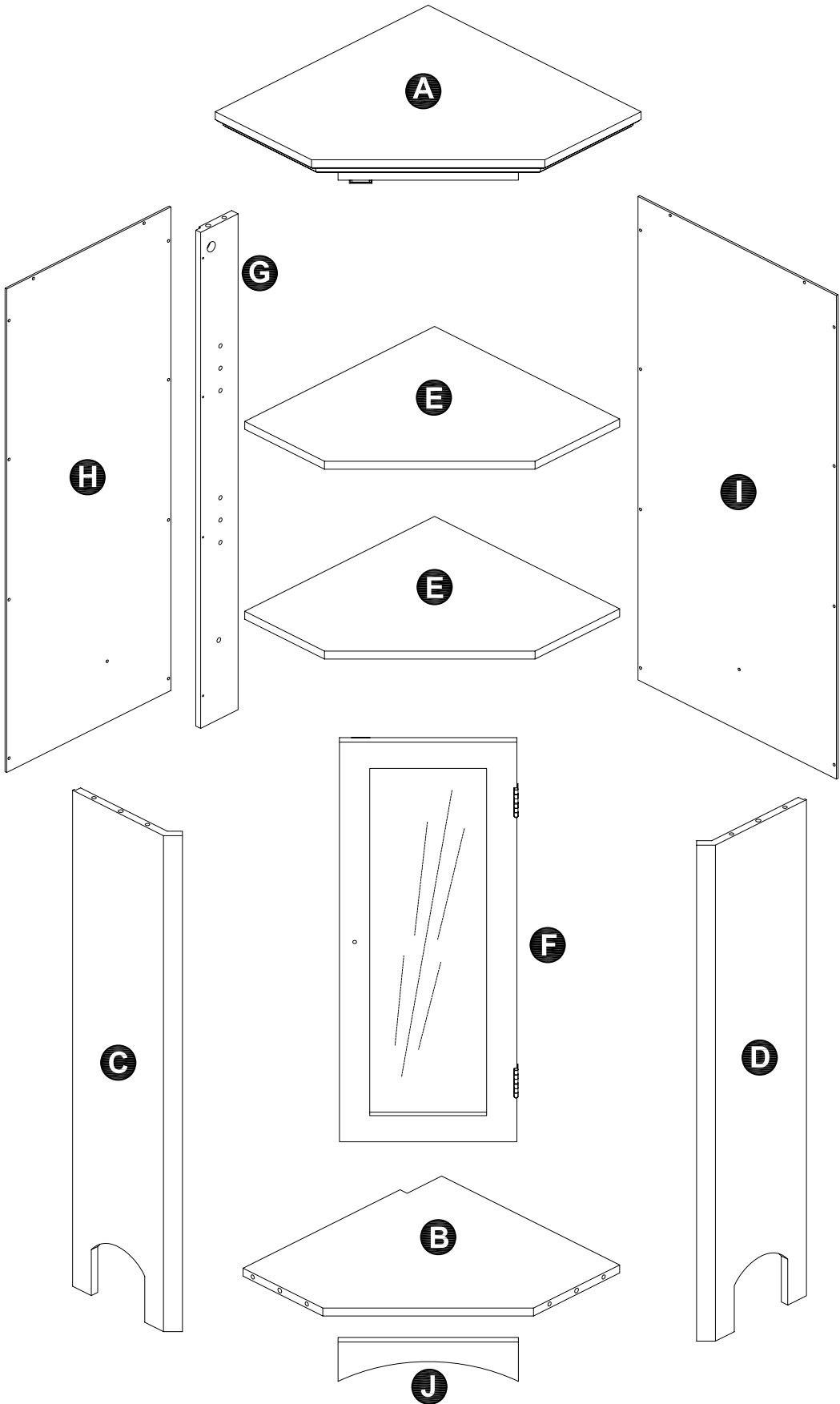


Corner Floor Cabinet



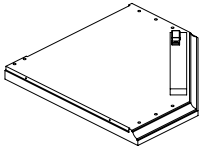


Exploded Drawing

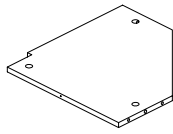


Product Parts

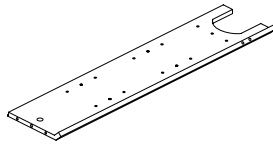
A



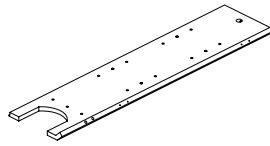
B



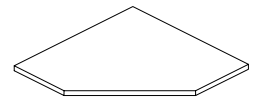
C



D

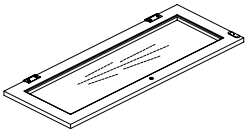


E

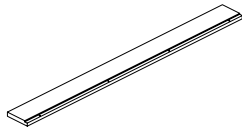


2 pcs

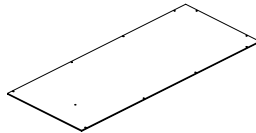
F



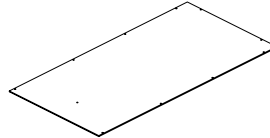
G



H



I



J



WARNING:

1. Do not let any sharp objects touch or rub the surface of the product.
2. When assembling, do not let children play around the working area.
3. Please confirm all parts are correct before starting the assembly process.
4. Do not tighten all bolts and screws completely until the entire unit has been assembled and set up.

Hardware

1



13 pcs

2



6 pcs

3



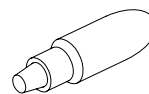
6 pcs

4



6 pcs

5



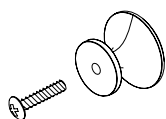
6



Ø3*12 mm

4 pcs

7



1 set

8



Ø3*12 mm

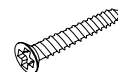
22 pcs

9



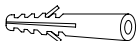
10 pcs

10



Ø4*38mm

11



12



2 pcs

13


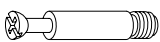
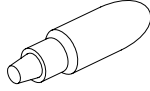


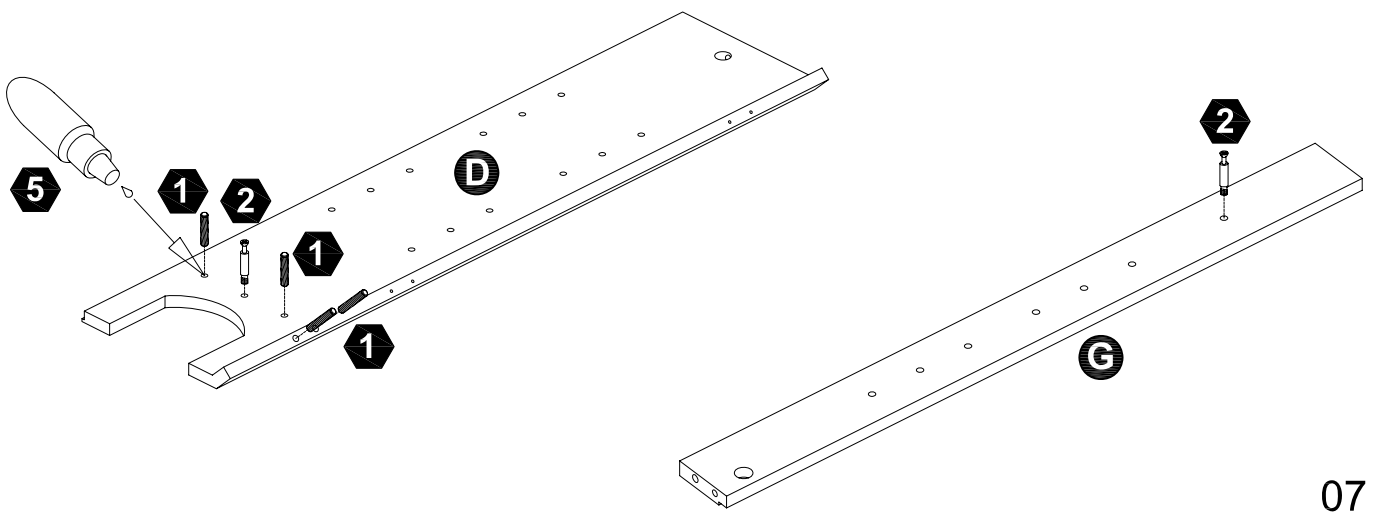
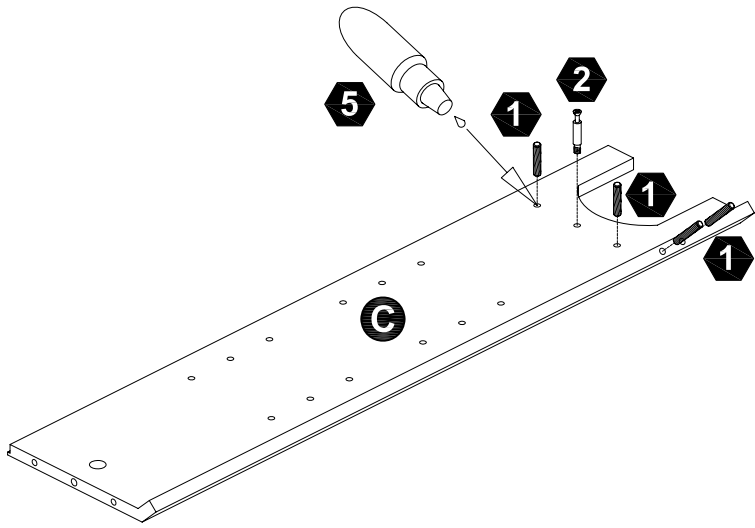
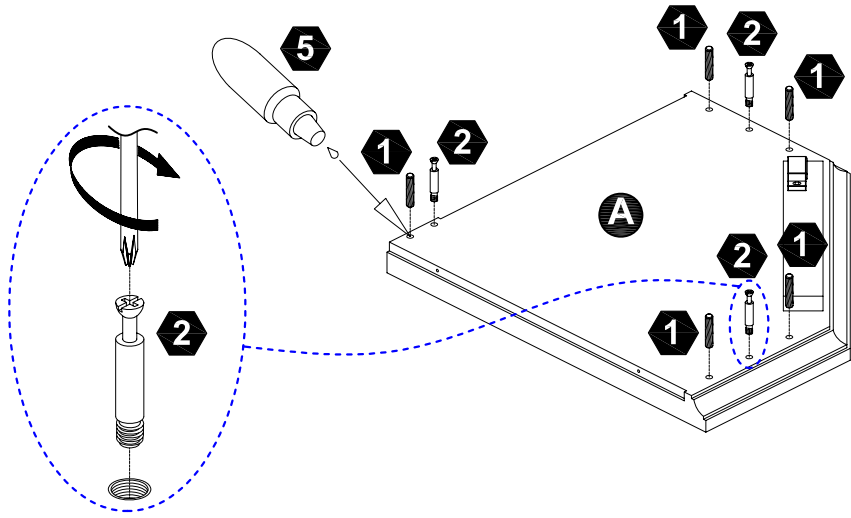
Ø4*19mm

14

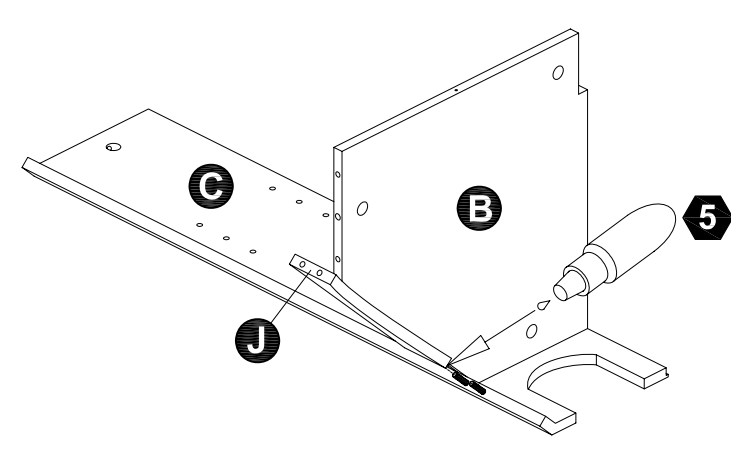
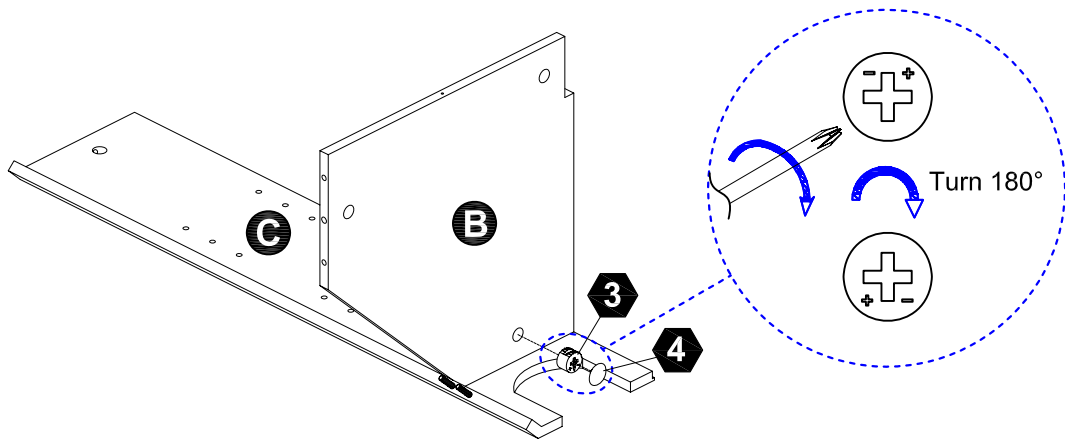
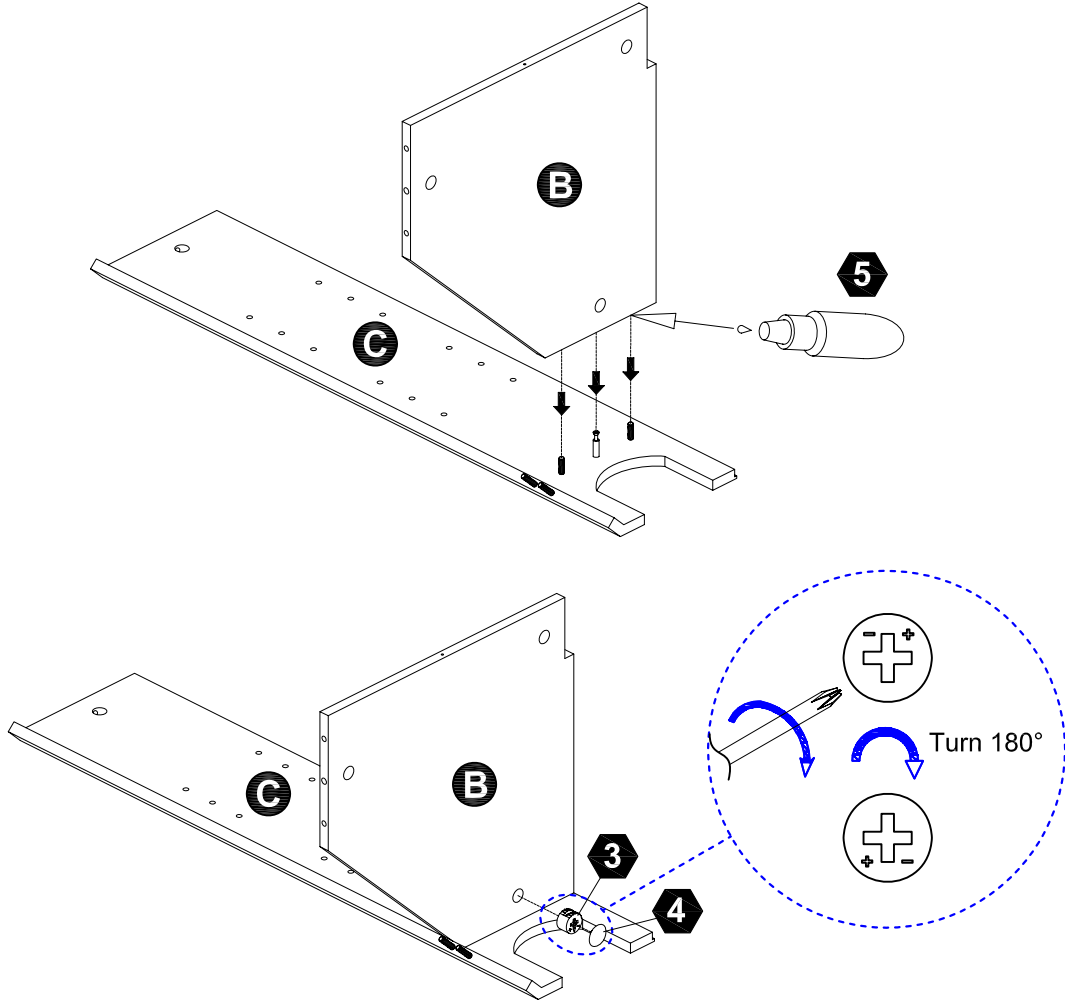
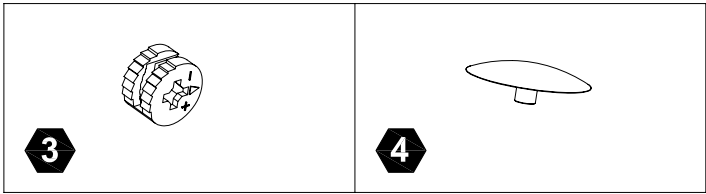


Step 1

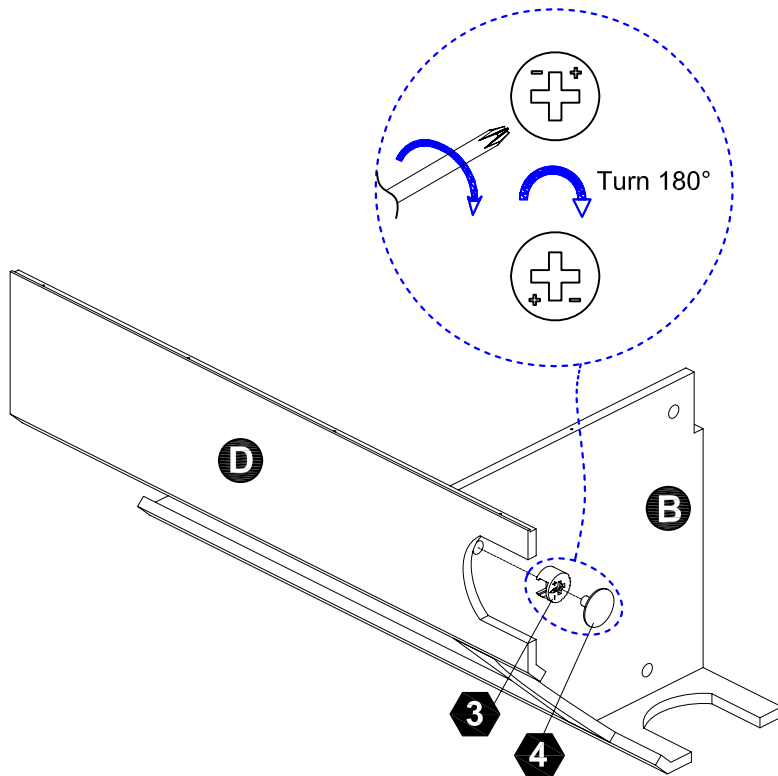
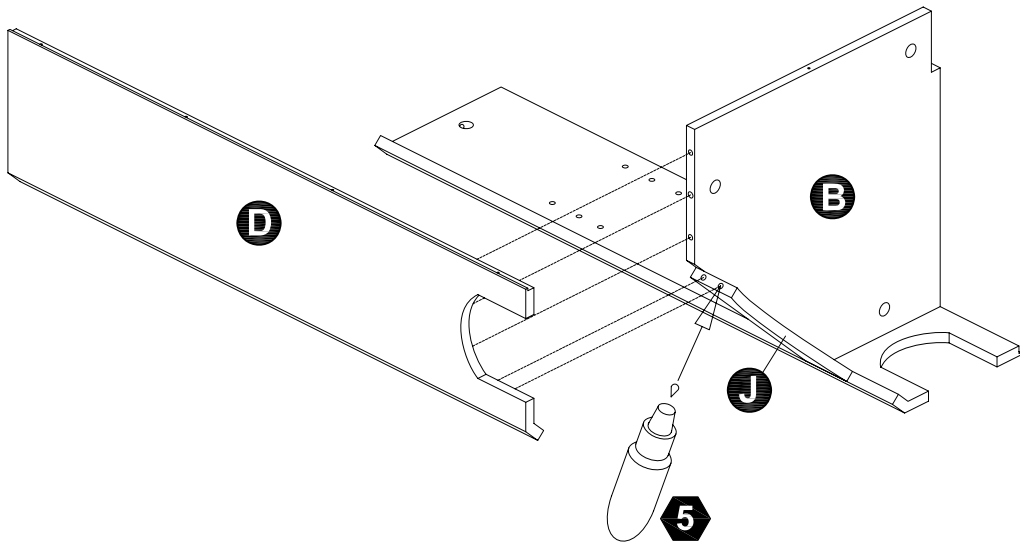
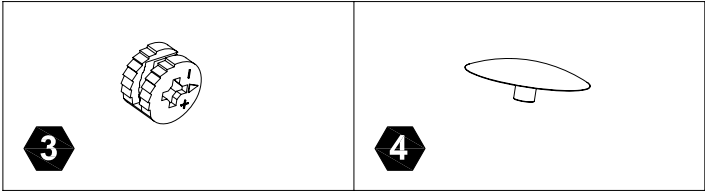
 <p>1 13pcs</p>	 <p>2 6pcs</p>	 <p>5</p>
---	--	--



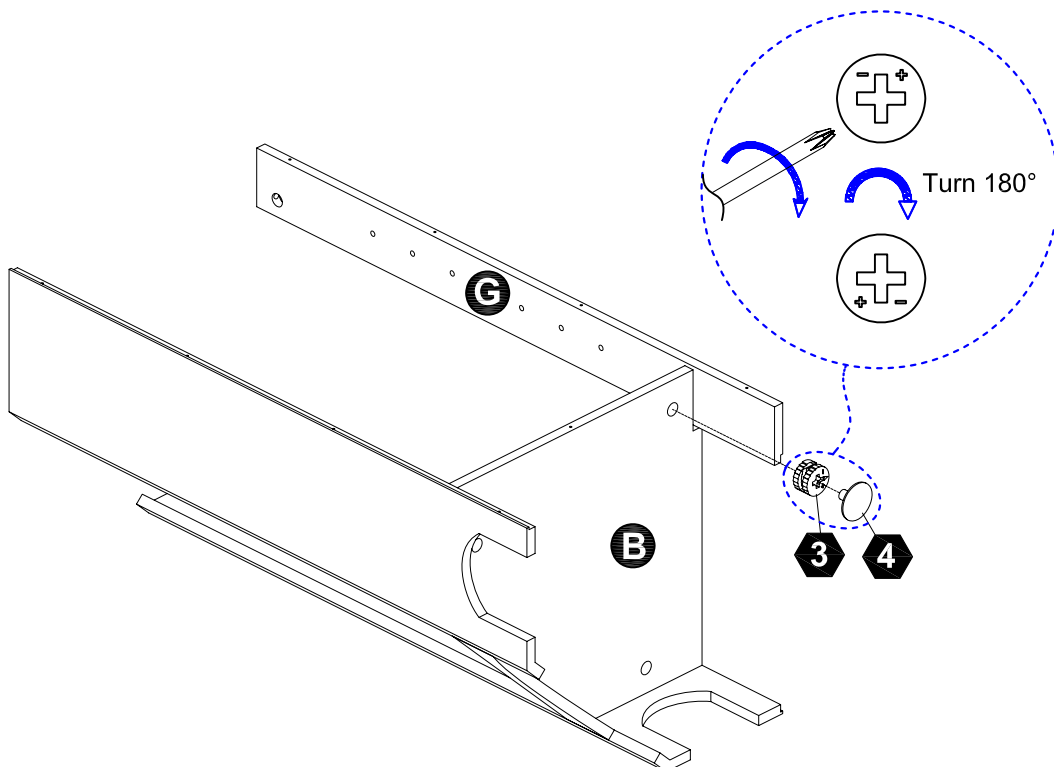
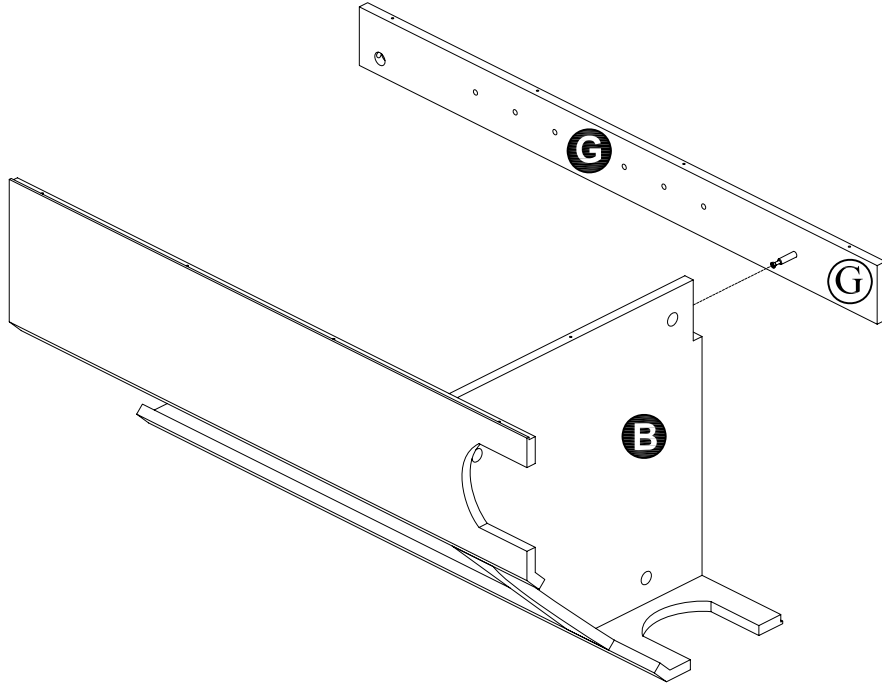
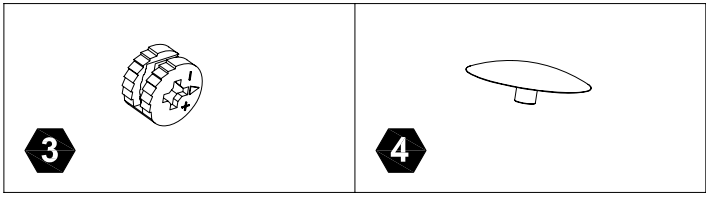
Step 2



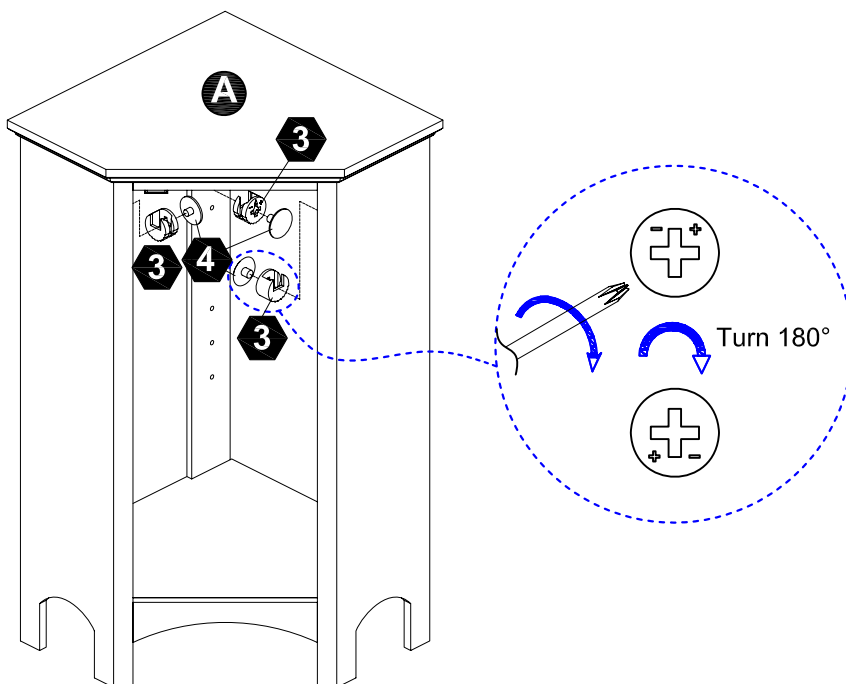
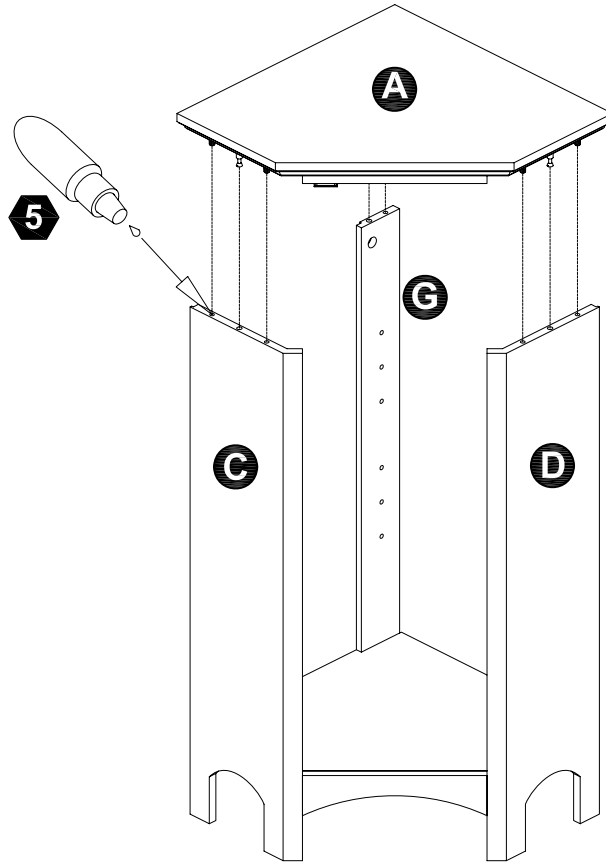
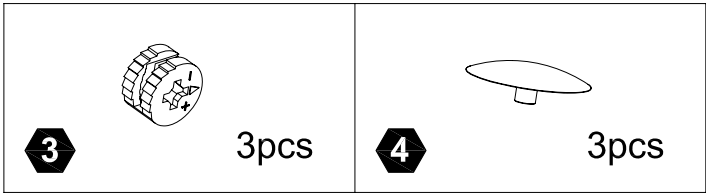
Step 3



Step 4



Step 5



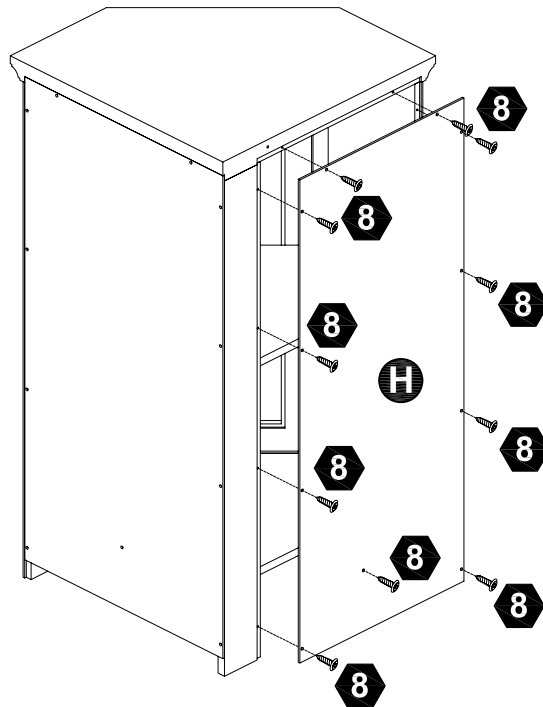
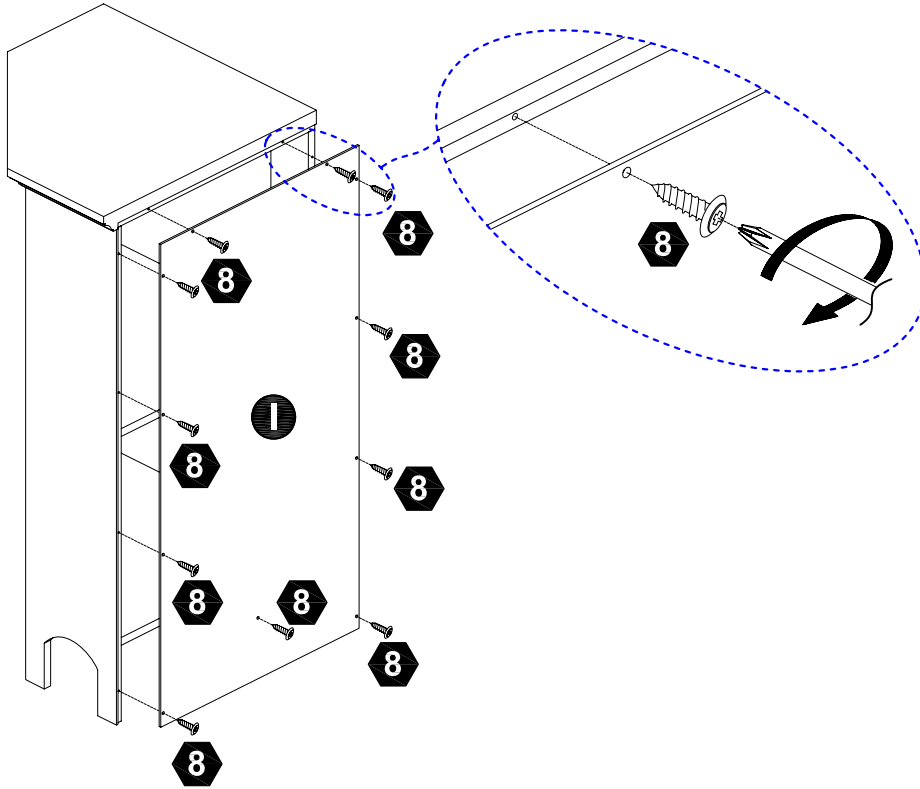
Step 6




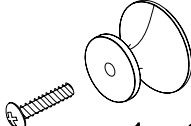
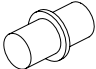
Ø3*12 mm

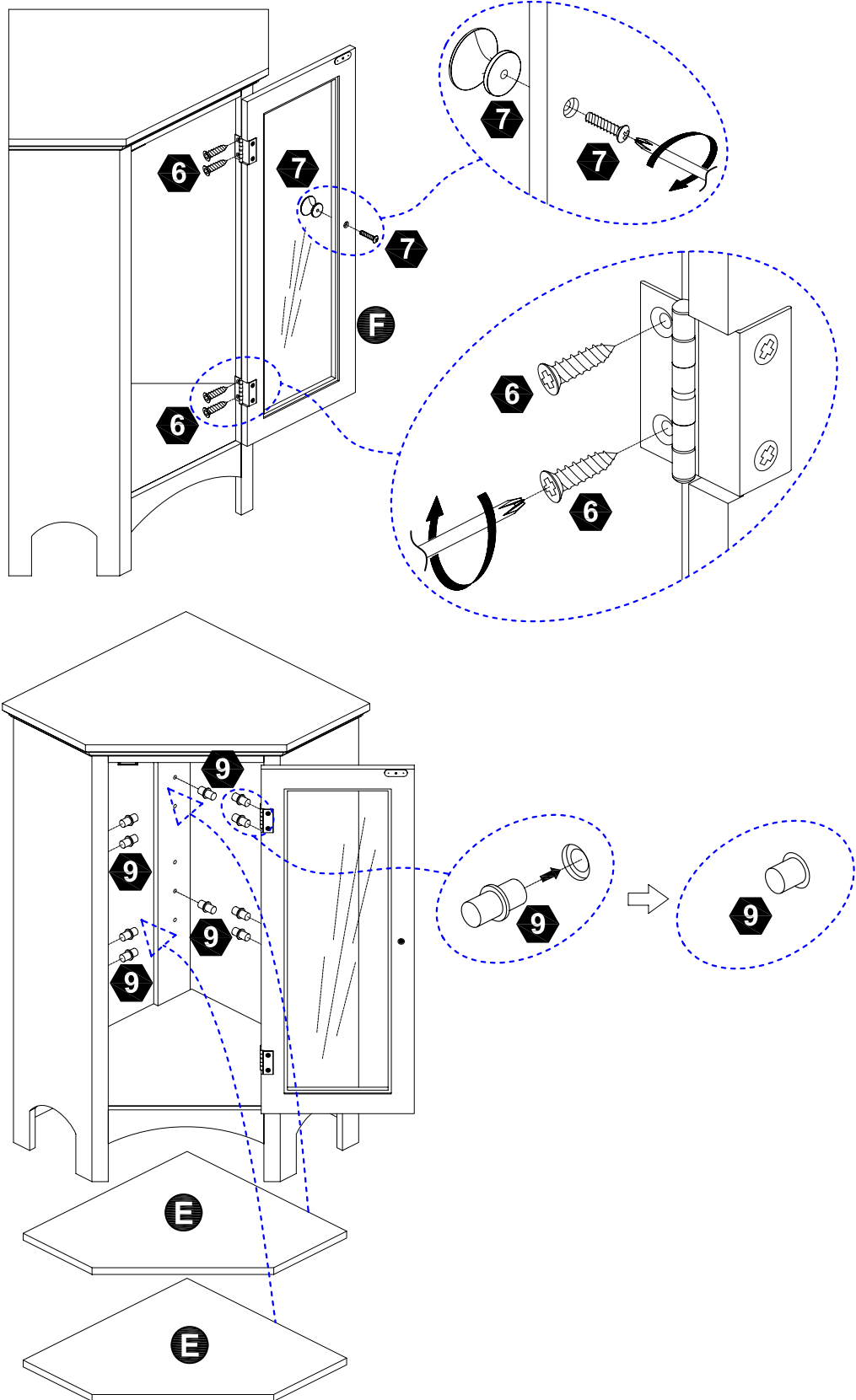
8

22pcs


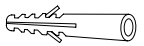
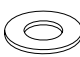



Step 7

 Ø3*12 mm 6 4pcs	 7 1set	 9 10pcs
--	--	--



Step 8

 <p>10 $\phi 4 \times 38\text{mm}$</p>	 <p>11</p>	 <p>12 2pcs</p>	 <p>13 $\phi 4 \times 19\text{mm}$</p>
--	---	--	--

