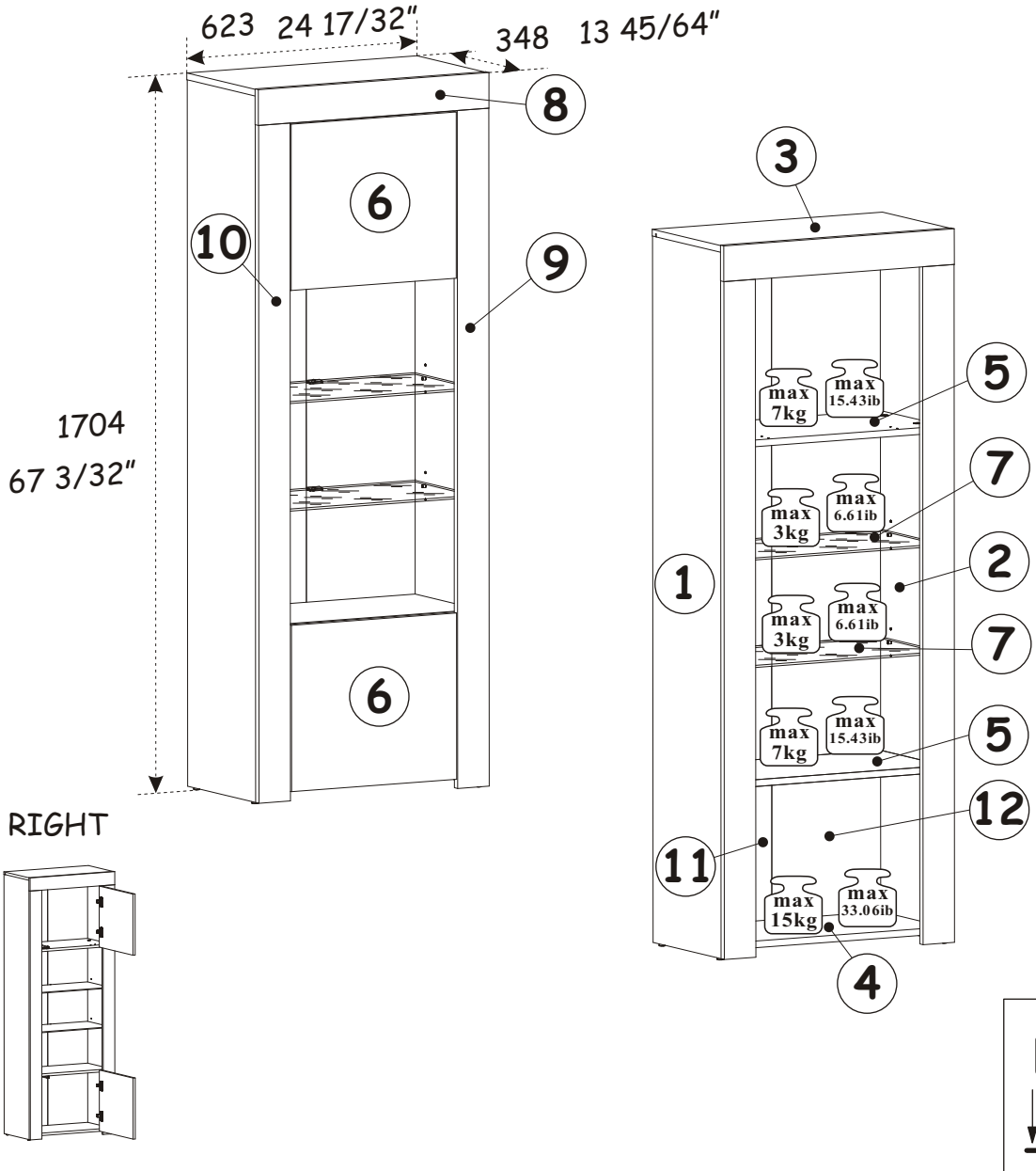
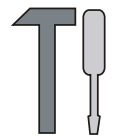
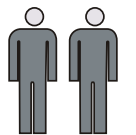


BOOKCASE



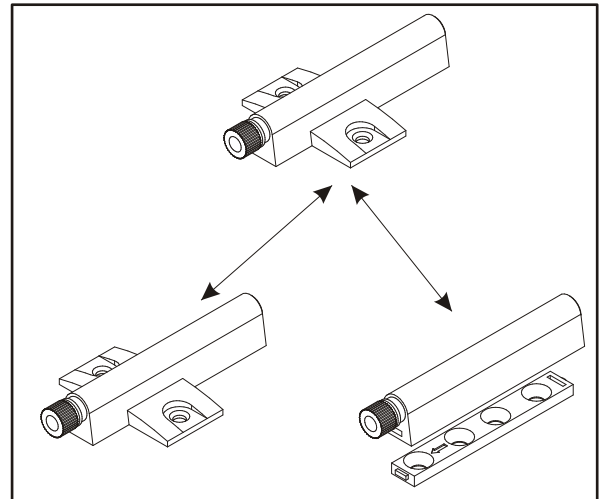
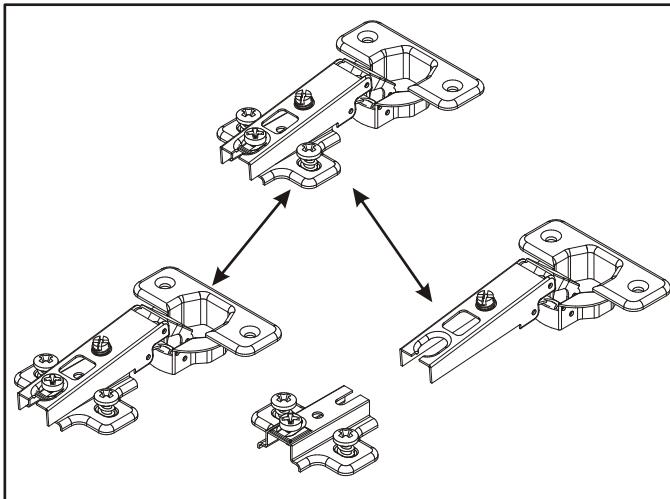
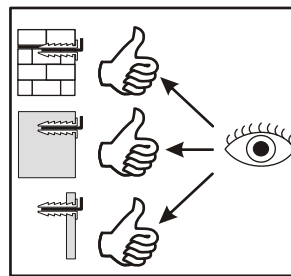
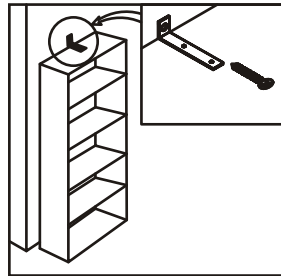
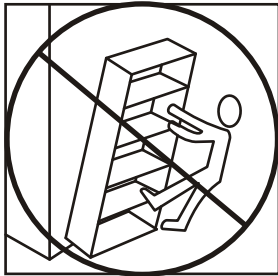
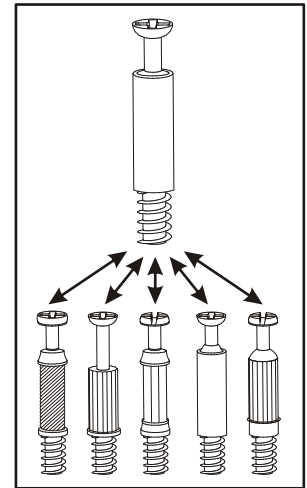
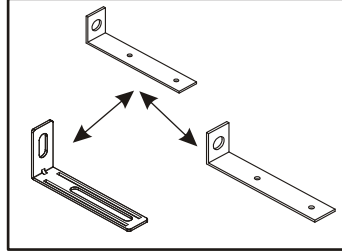
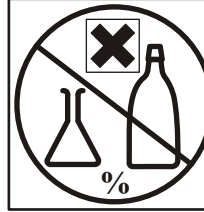
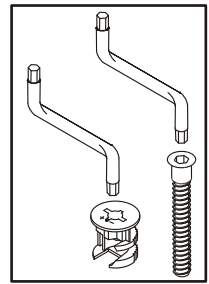
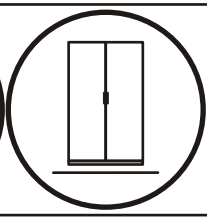
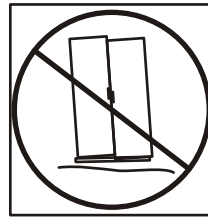
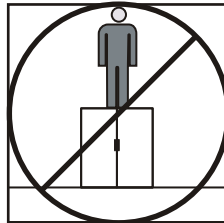
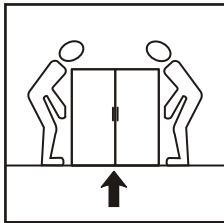
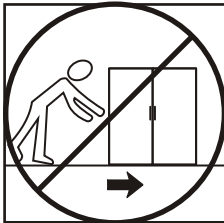
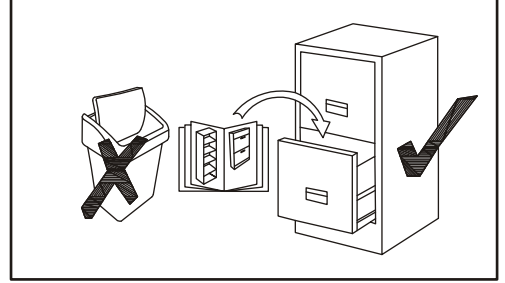
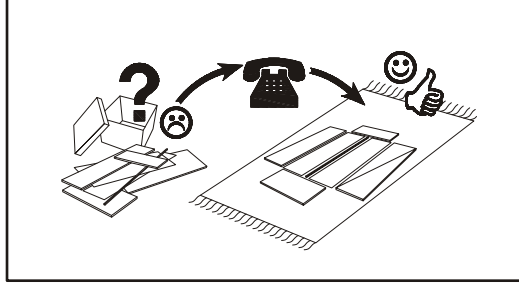
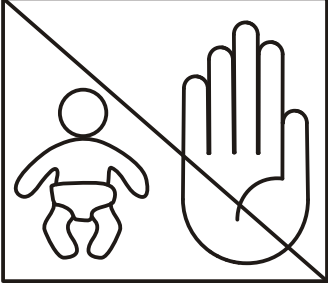
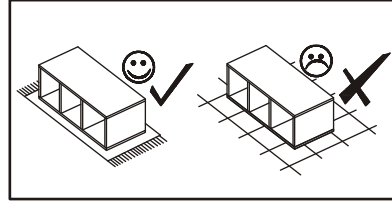
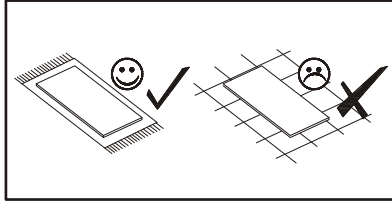
NO	Dim			Col.-No	Qty
1	1682	332	16	2	1
2	1682	332	16	2	1
3	622	332	16	1	1
4	588	312	16	1	1
5	588	312	16	1	2
6	446	396	16	1	2
7	587	302	5	1	2
8	623	85	18	2	1
9	1614	85	18	2	1
10	1614	85	18	2	1
11	1665	300	3	2	1
12	1665	300	3	2	1

NO	Inch			Col.-No	Qty
1	66 7/32	13 5/64	5/8	2	1
2	66 7/32	13 5/64	5/8	2	1
3	24 31/64	13 5/64	5/8	1	1
4	23 5/32	12 9/32	5/8	1	1
5	23 5/32	12 9/32	5/8	1	2
6	17 9/16	15 19/32	5/8	1	2
7	23 7/64	11 57/64	13/64	1	2
8	24 17/32	3 11/32	45/64	2	1
9	63 35/64	3 11/32	45/64	2	1
10	63 35/64	3 11/32	45/64	2	1
11	65 35/64	11 13/16	1/8	2	1
12	65 35/64	11 13/16	1/8	2	1

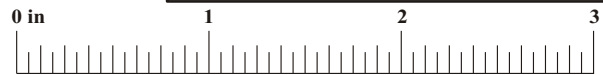
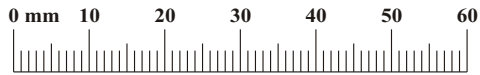
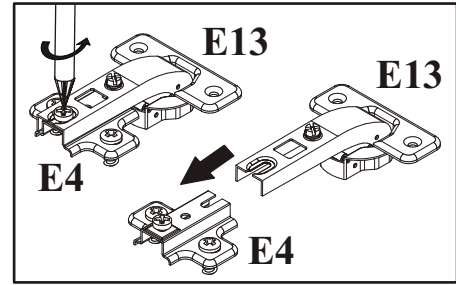
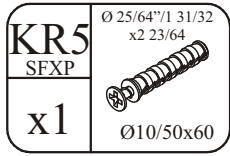
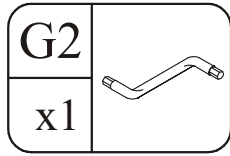
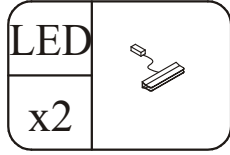
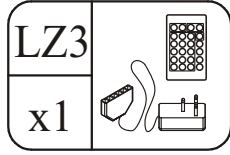
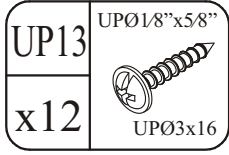
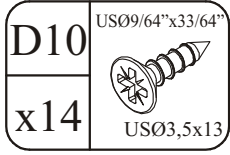
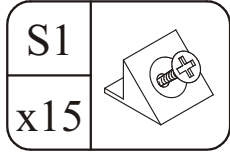
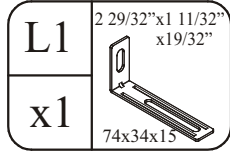
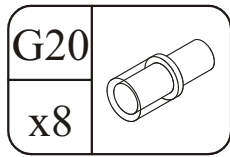
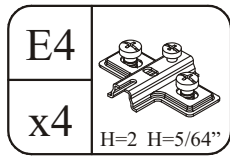
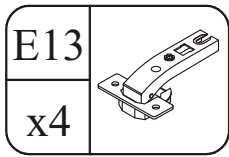
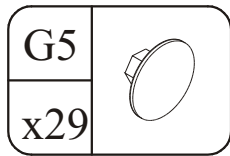
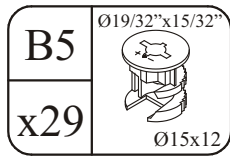
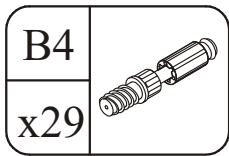
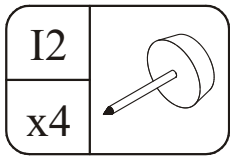
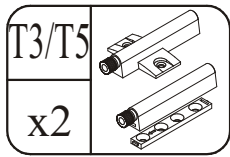
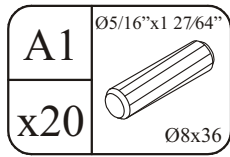


60 min

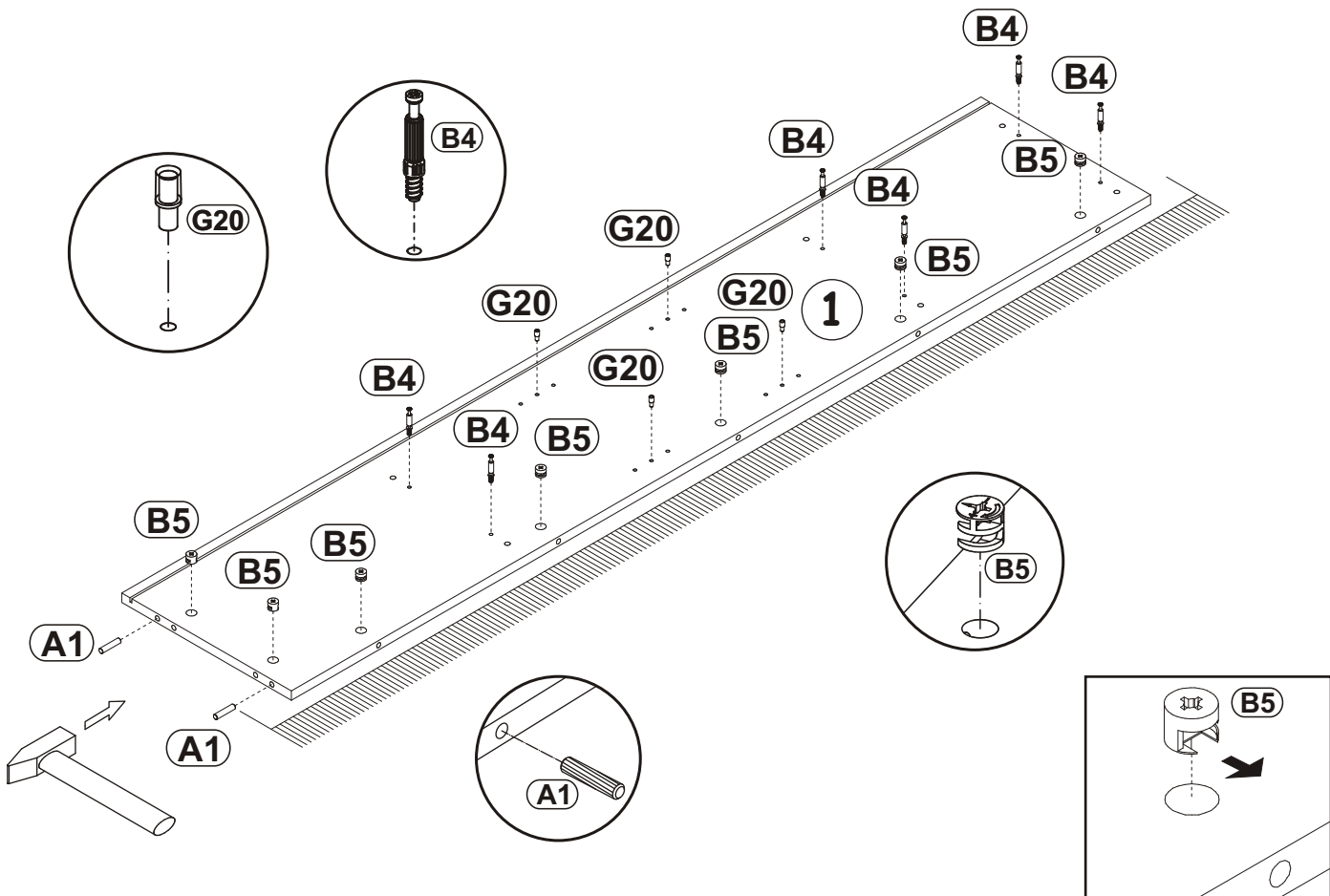
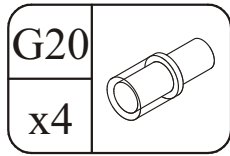
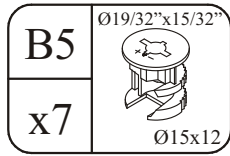
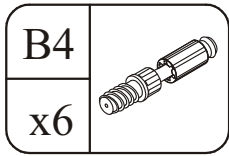
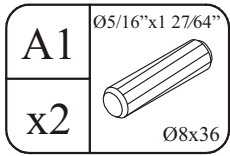
BOOKCASE



BOOKCASE

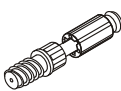



1

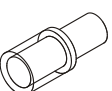



BOOKCASE

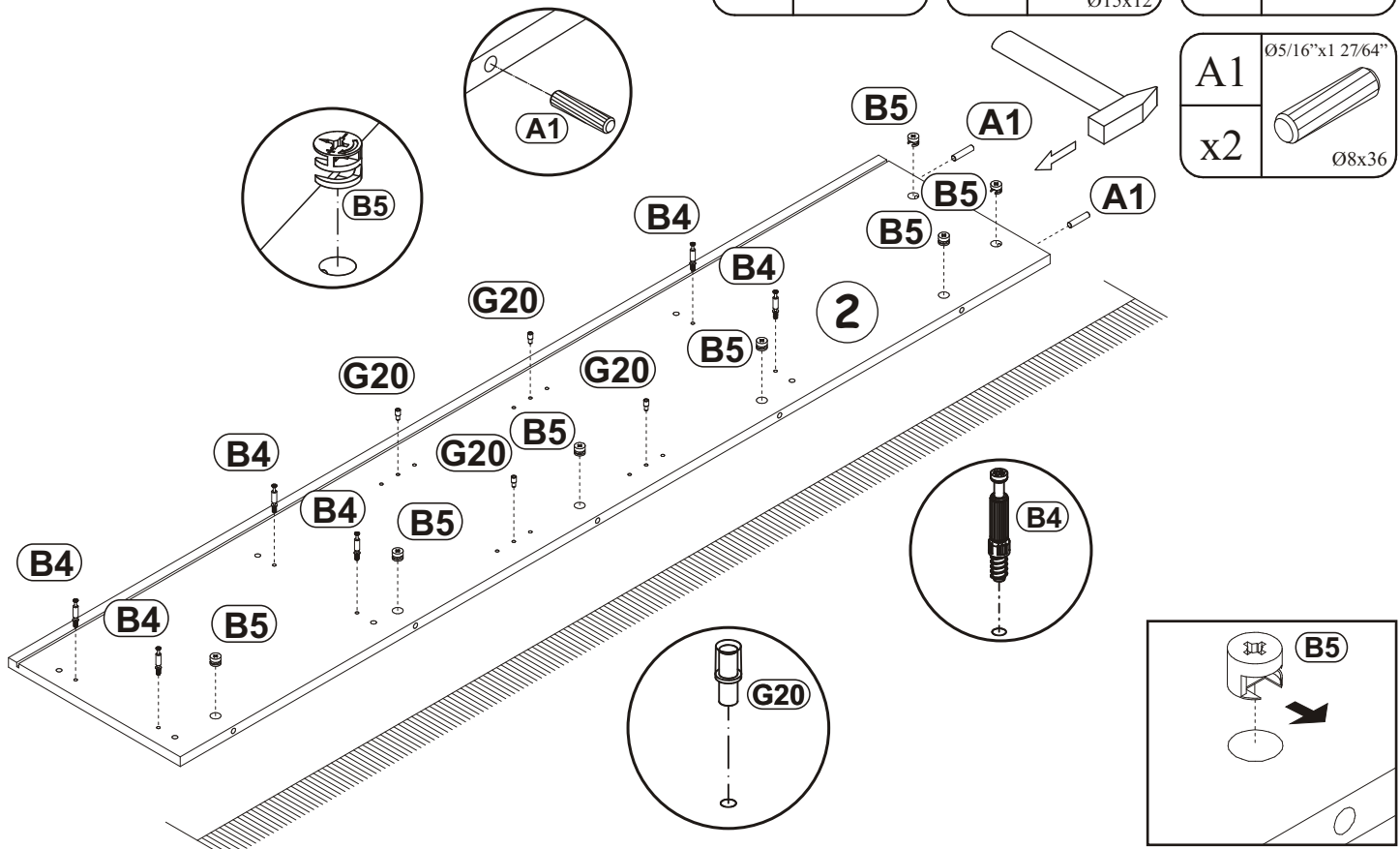
2

B4	
x6	

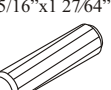
B5	
x7	$\text{Ø}19/32 \times 15/32$ $\text{Ø}15 \times 12$


G20	
x4	

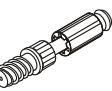
A1	
x2	$\text{Ø}5/16 \times 1 \text{ } 27/64$ $\text{Ø}8 \times 36$

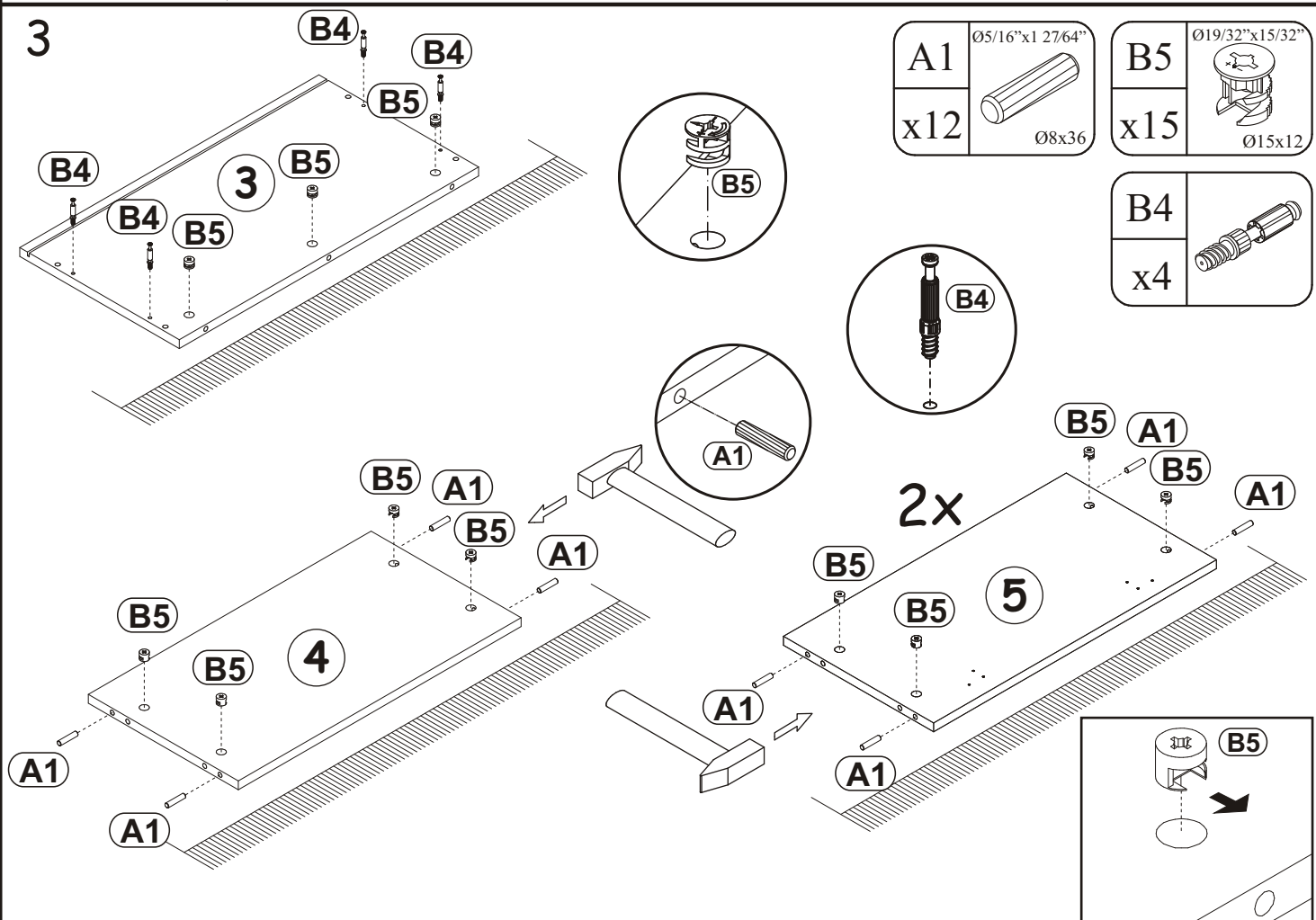


3

A1	
x12	$\text{Ø}5/16 \times 1 \text{ } 27/64$ $\text{Ø}8 \times 36$

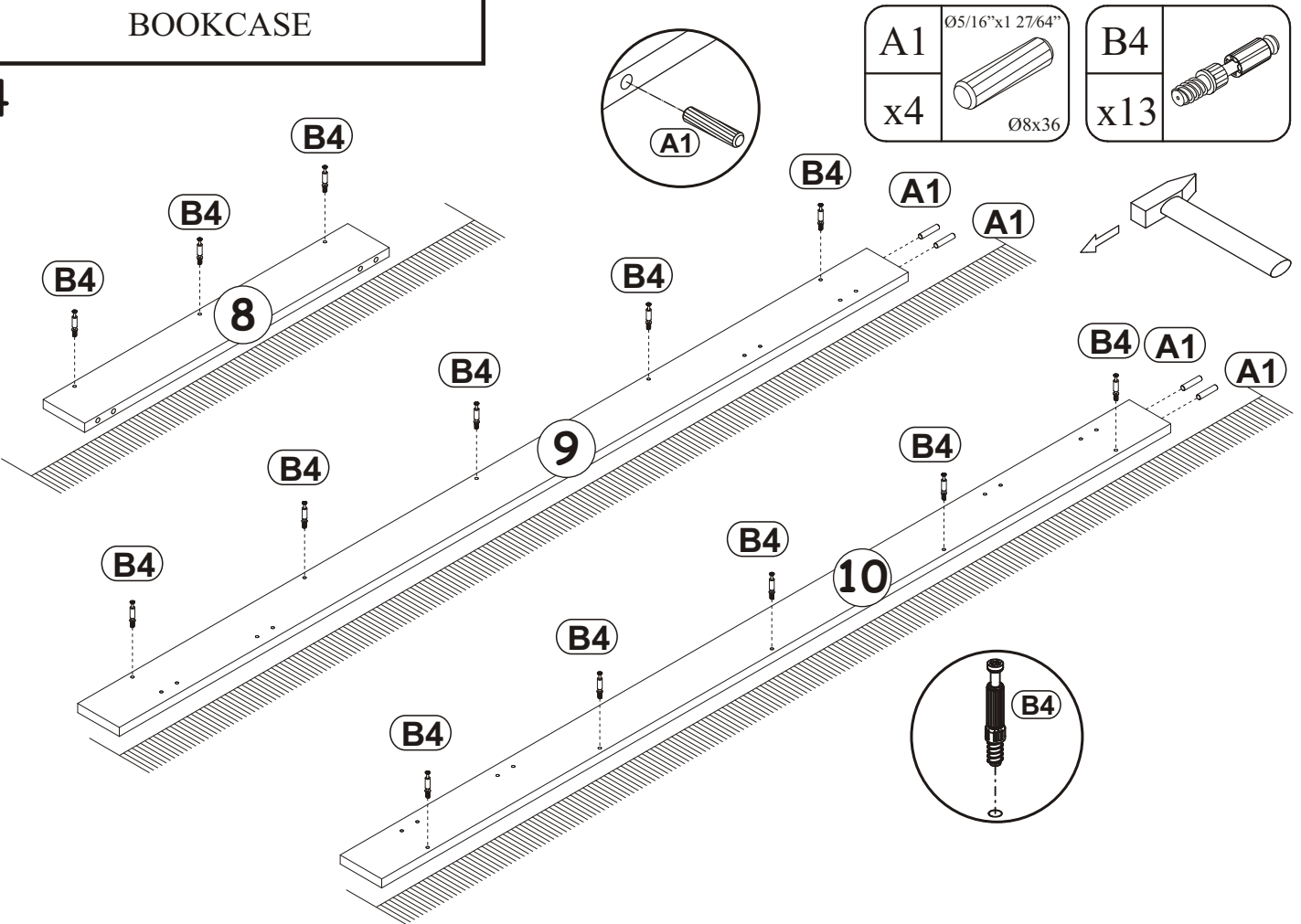
B5	
x15	$\text{Ø}19/32 \times 15/32$ $\text{Ø}15 \times 12$

B4	
x4	



BOOKCASE

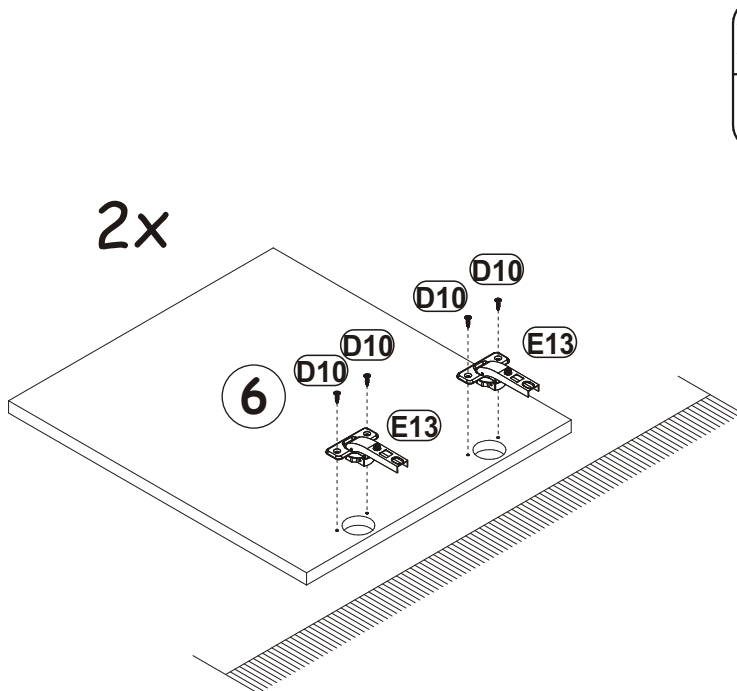
4



A1	Ø5/16"x1 27/64"
x4	Ø8x36

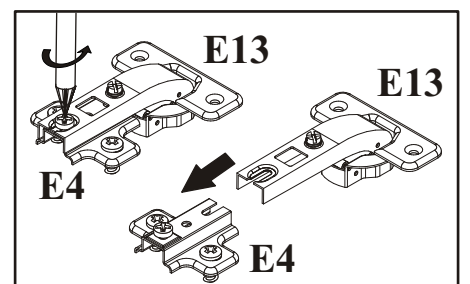
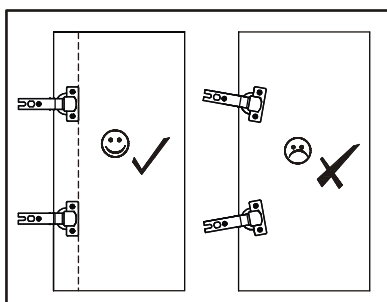
B4	
x13	

5




D10	USØ9/64"x33/64"
x8	USØ3,5x13

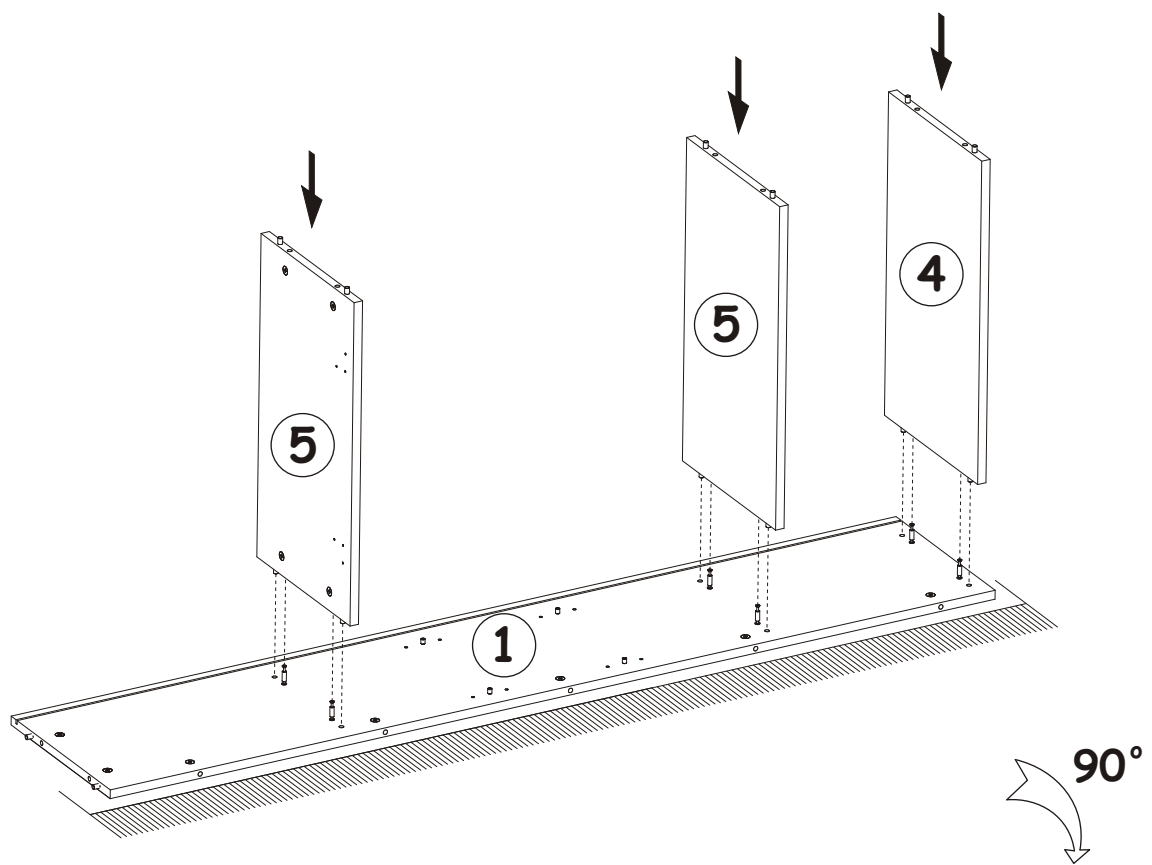
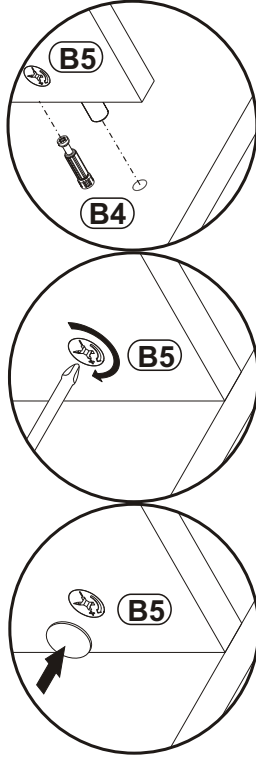
E13	
x4	




BOOKCASE

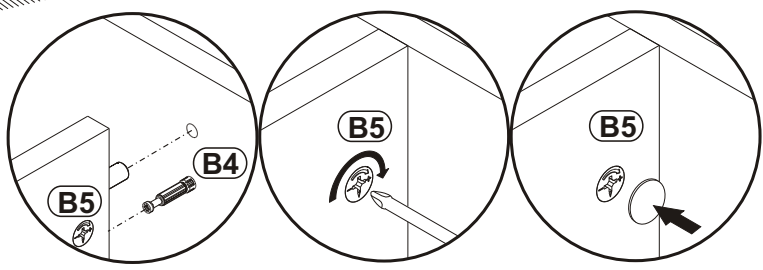
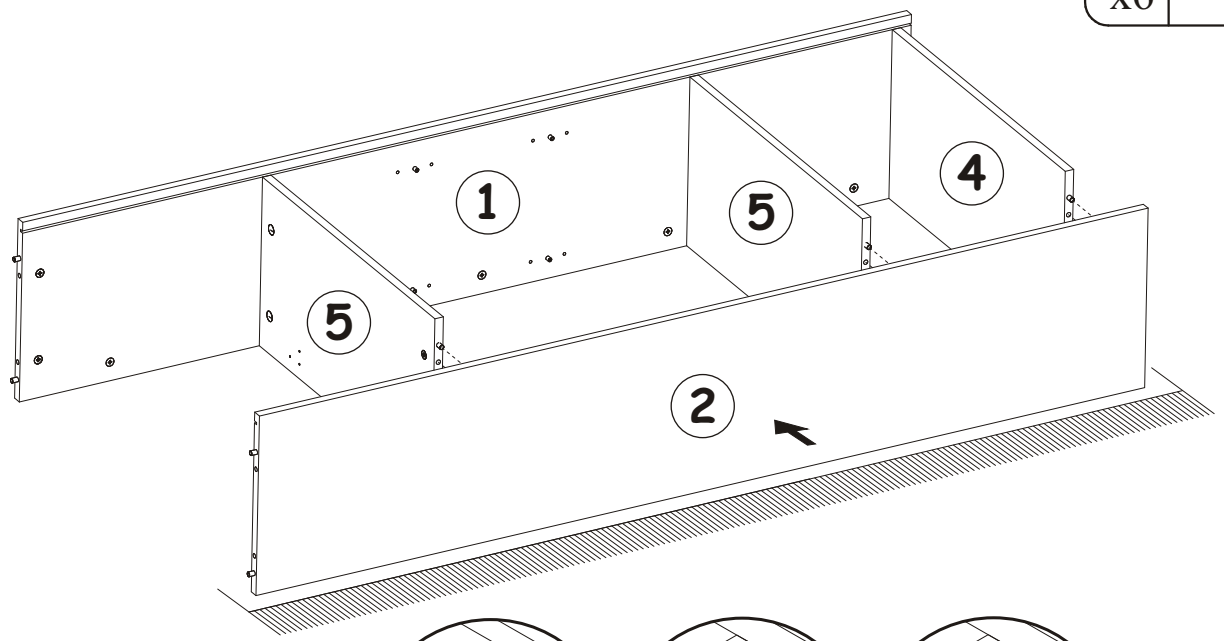
6

G5	
x6	



7

G5	
x6	

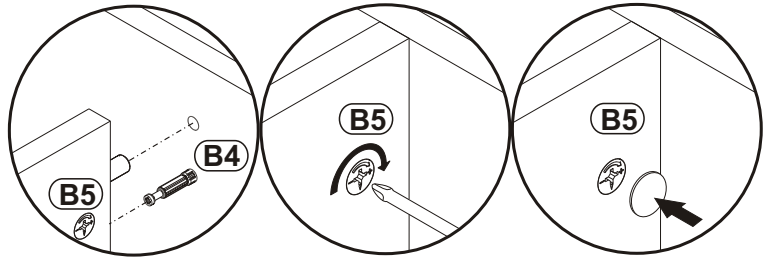
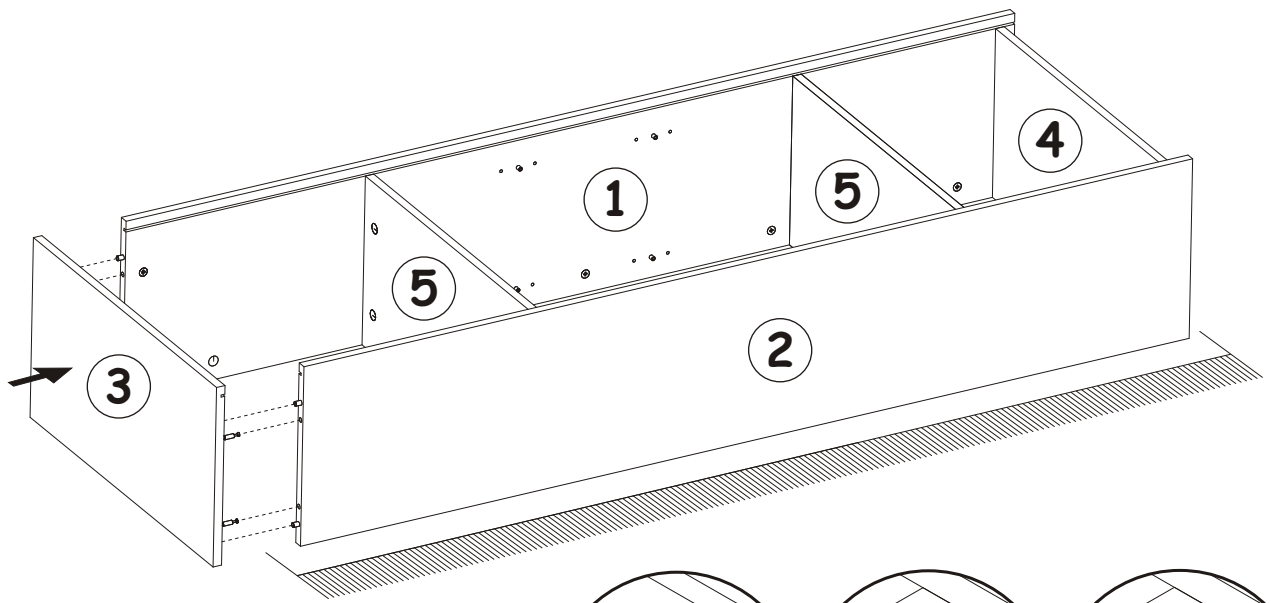


BOOKCASE

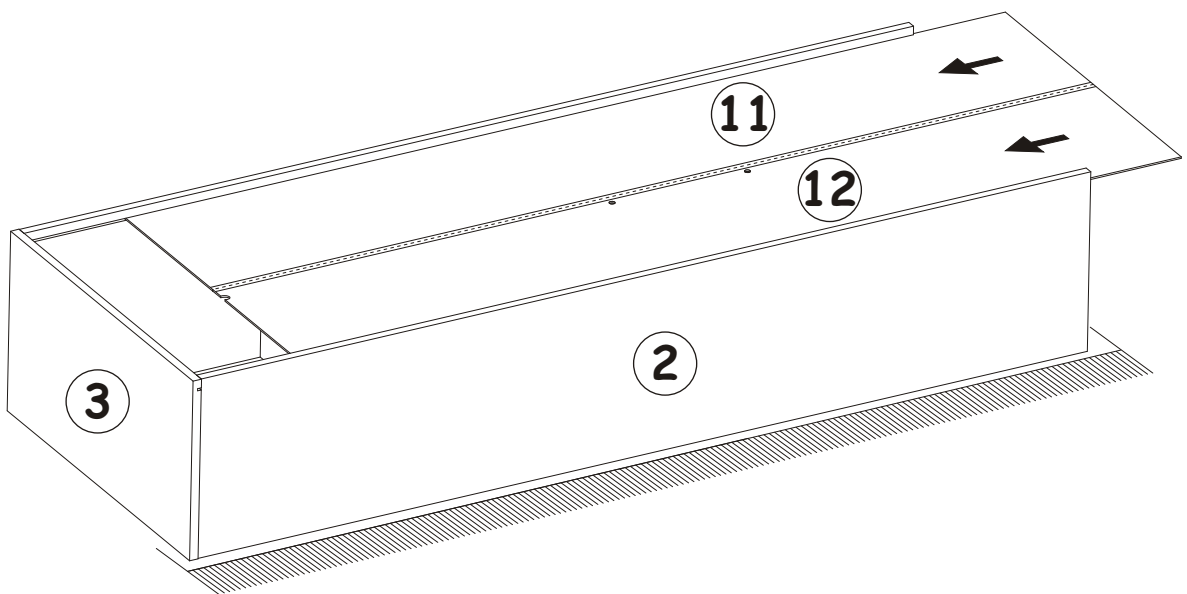
8

G5

x4



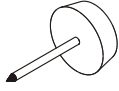
9

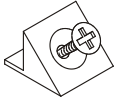


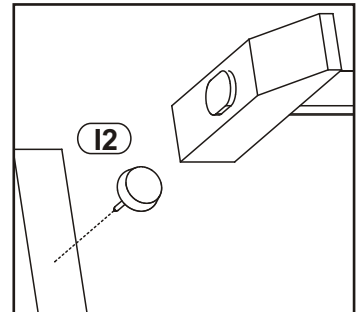
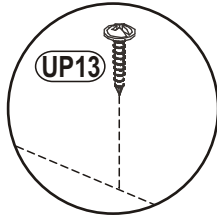
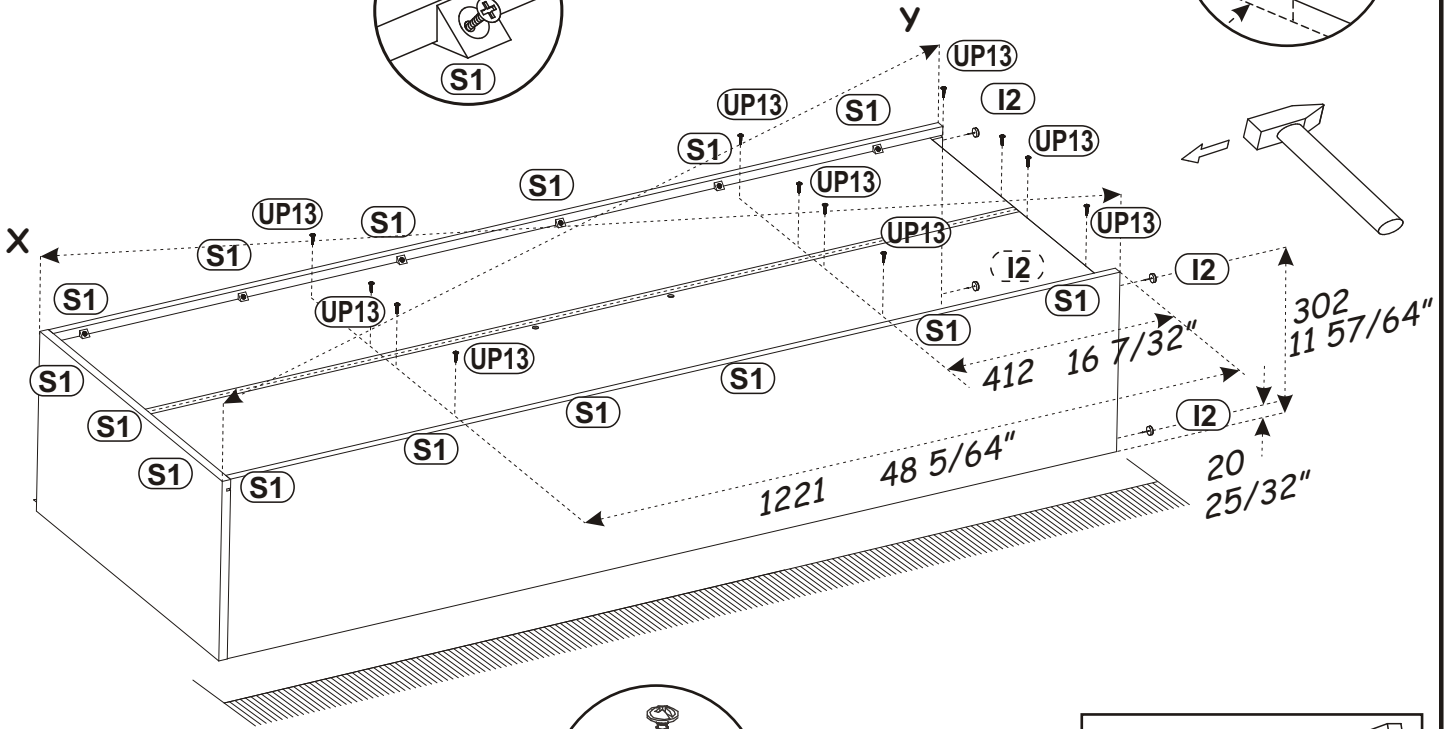
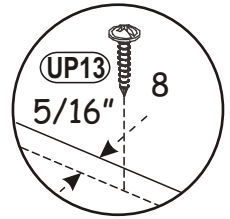
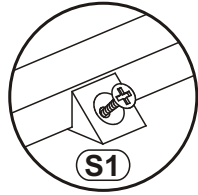
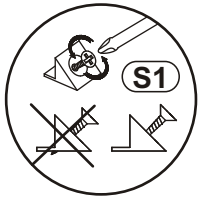
BOOKCASE

10

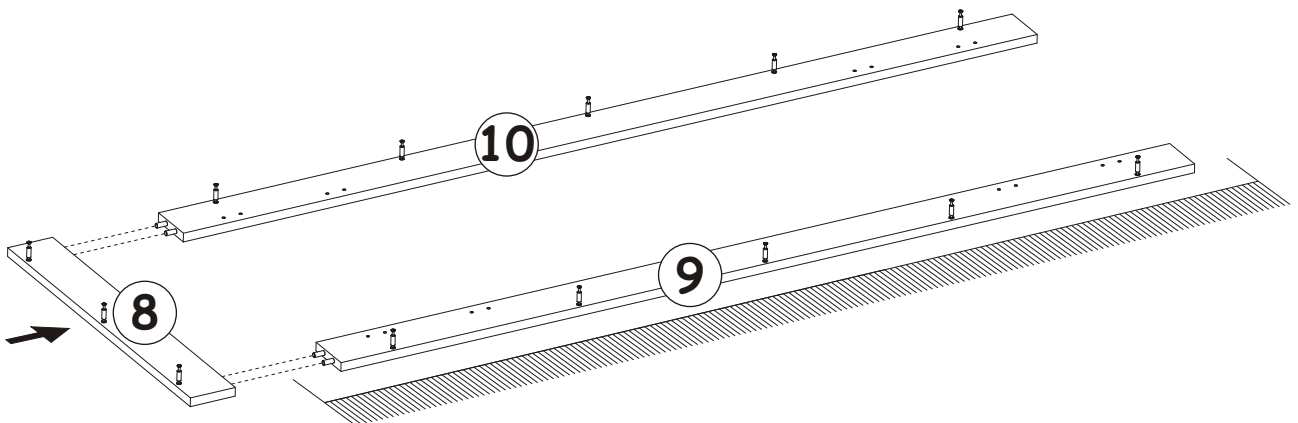
UP13	UPØ1/8"x5/8"
x12	UPØ3x16

I2	
x4	

S1	
x15	

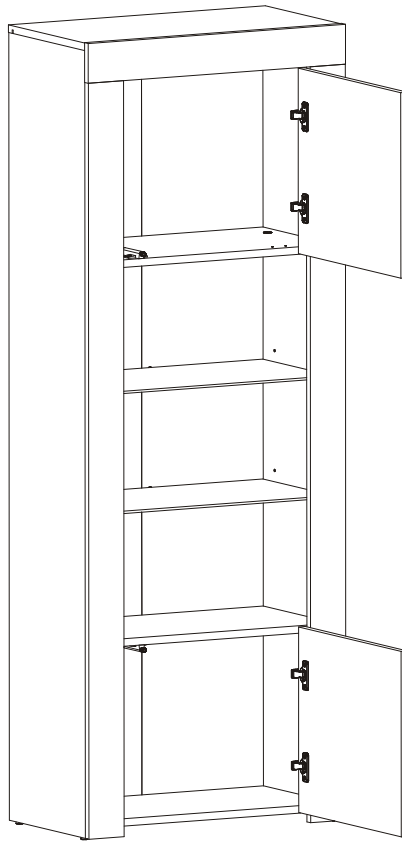


11

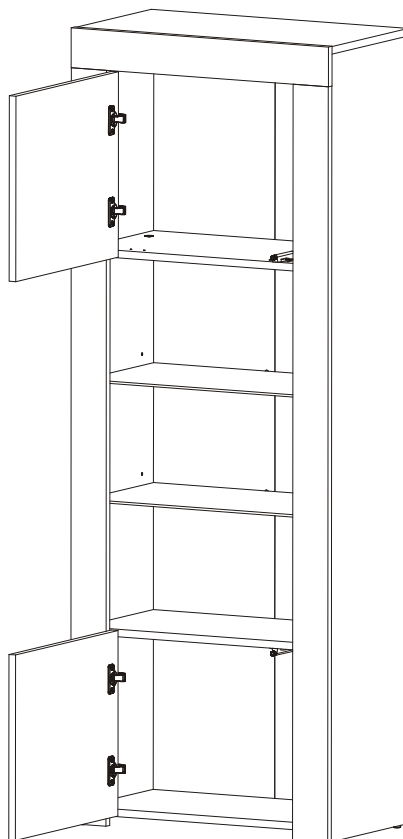


BOOKCASE

RIGHT
12-16



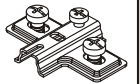
LEFT
17-21



BOOKCASE

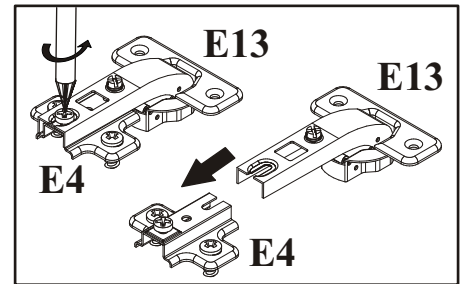
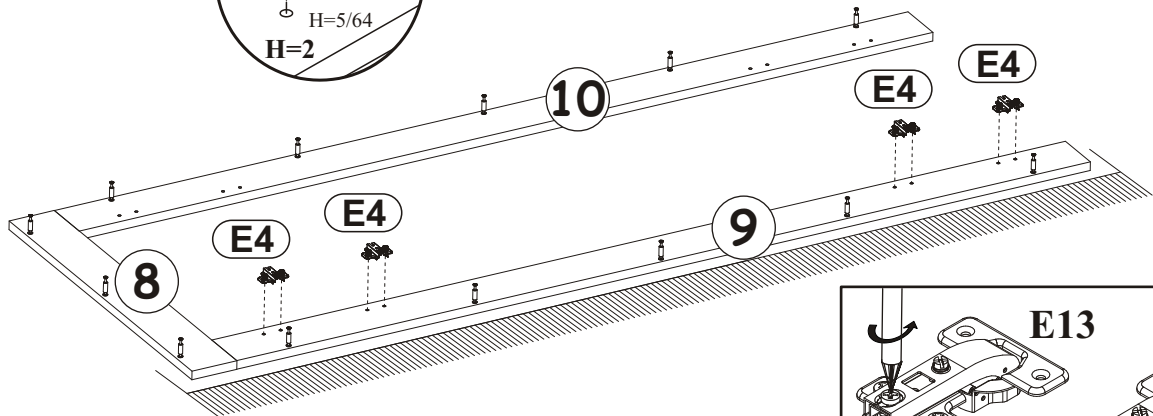
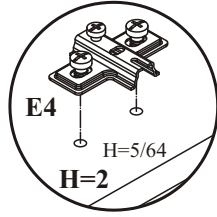
12

E4



x4

H=2 H=5/64

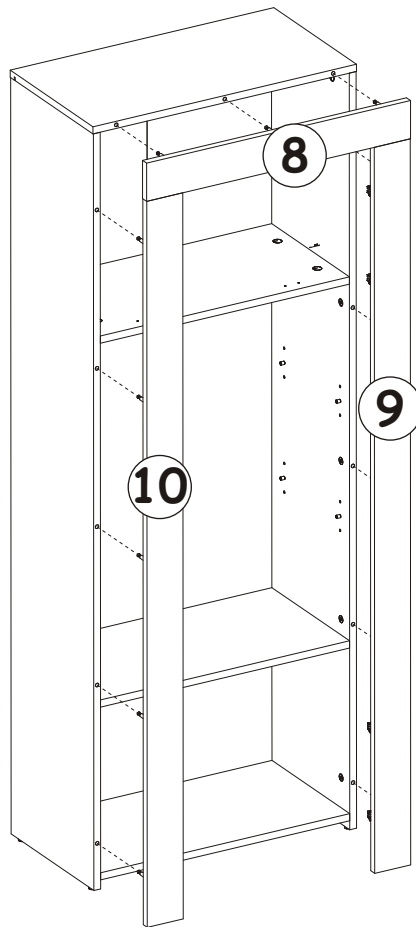


13

G5




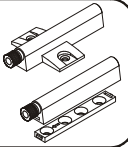
x13

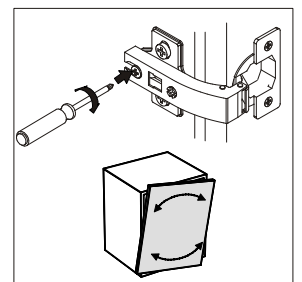
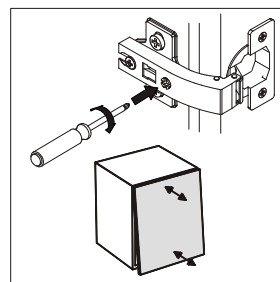
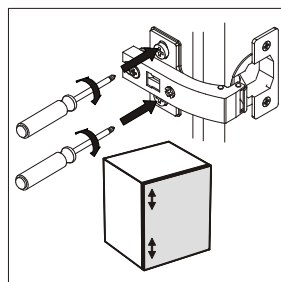
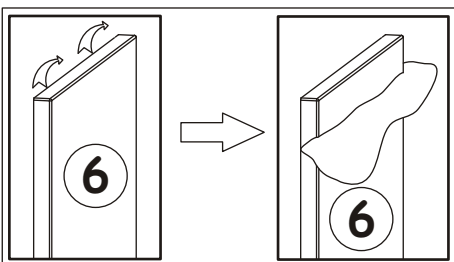
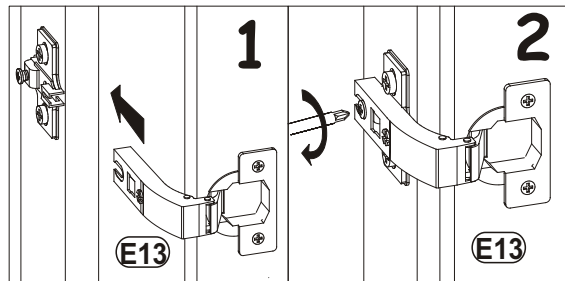
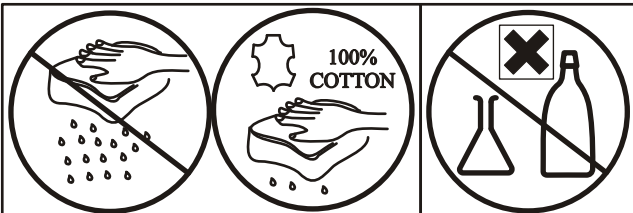
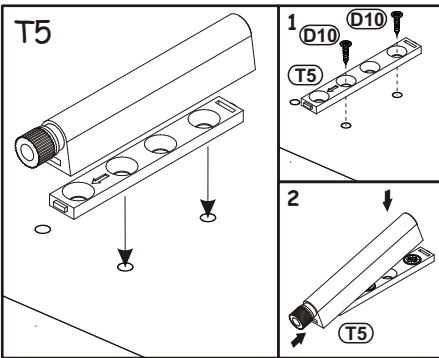
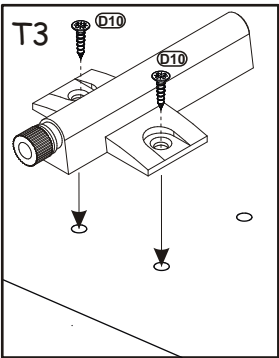
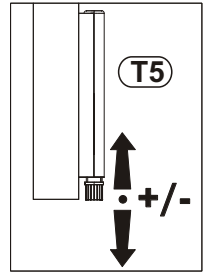
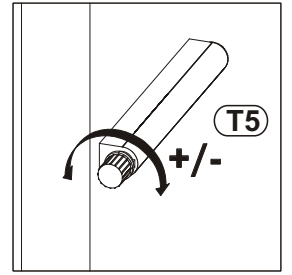
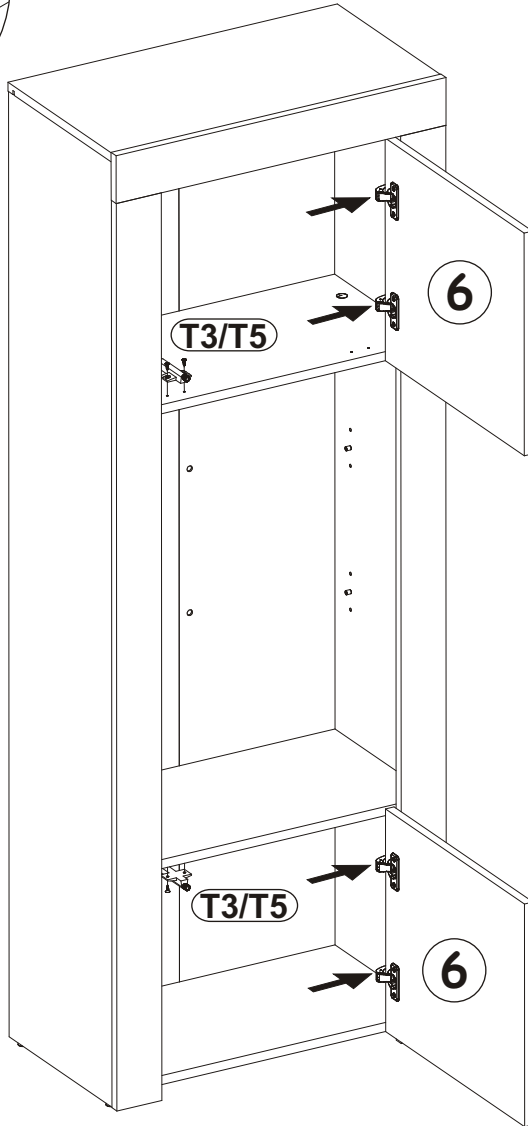
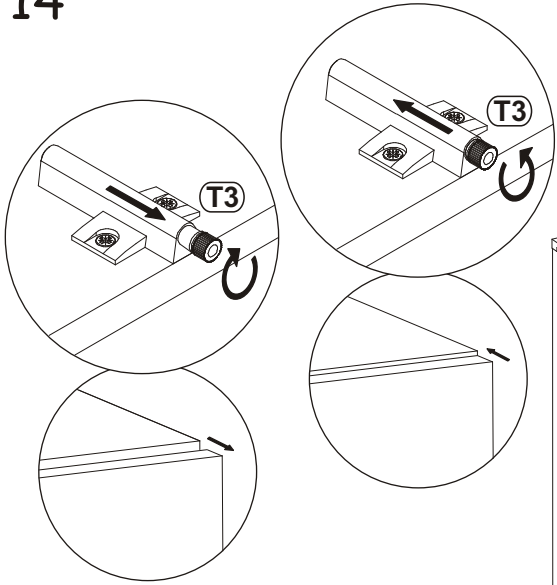


BOOKCASE

14



D10	USØ9/64"x33/64"
x4	 USØ3,5x13

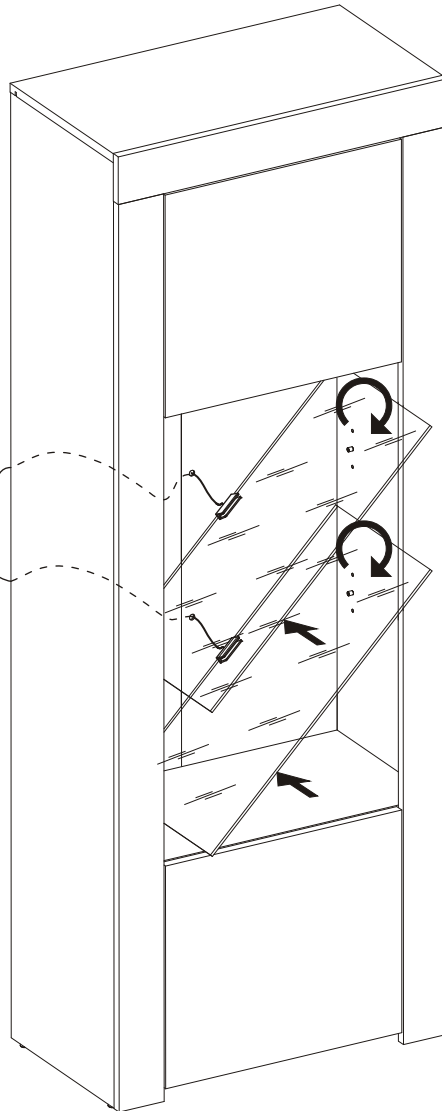
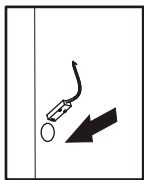
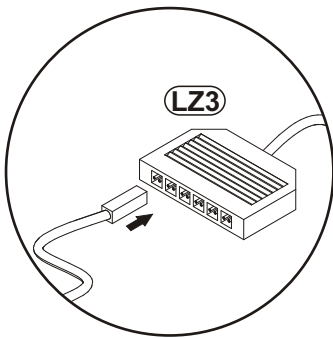
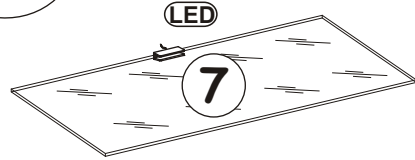
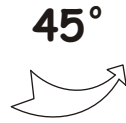
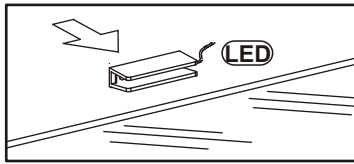
T3/T5	
x2	



BOOKCASE

15

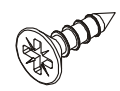
LZ3		LED	
x1		x2	



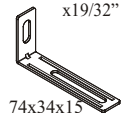
BOOKCASE

16

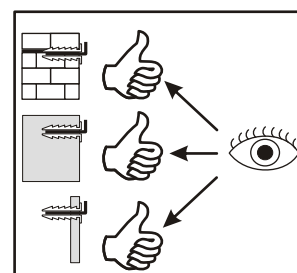
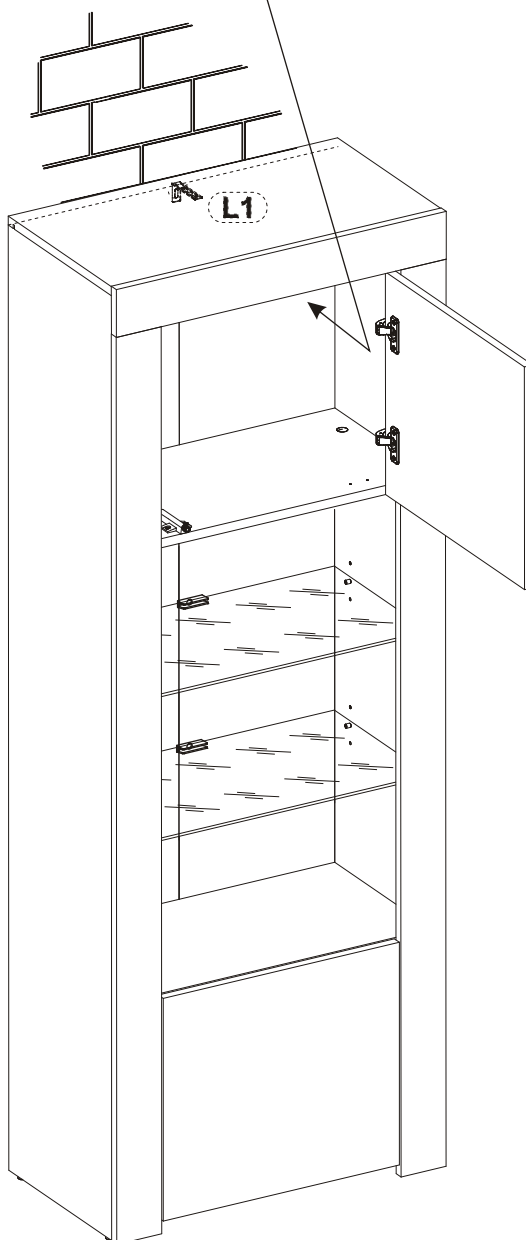
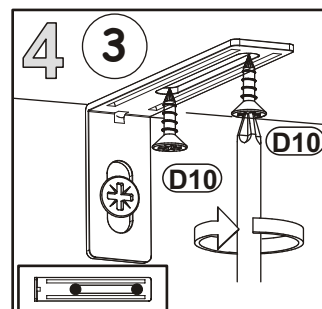
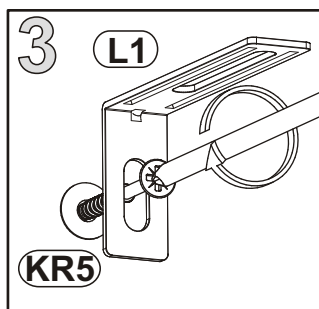
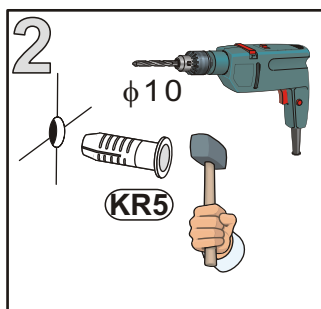
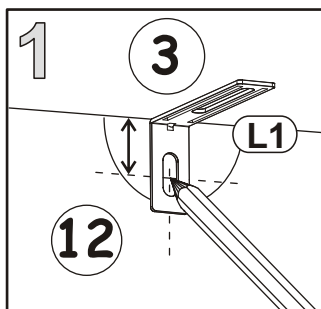

D10	USØ9/64"x33/64"
x2	USØ3,5x13



L1	2 29/32"x1 11/32" x19/32"
x1	74x34x15

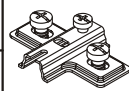


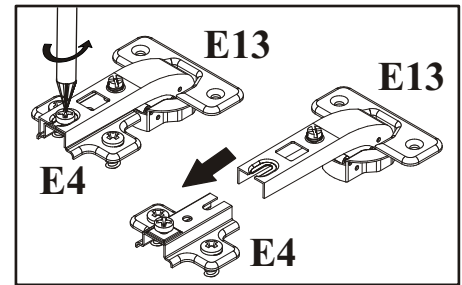
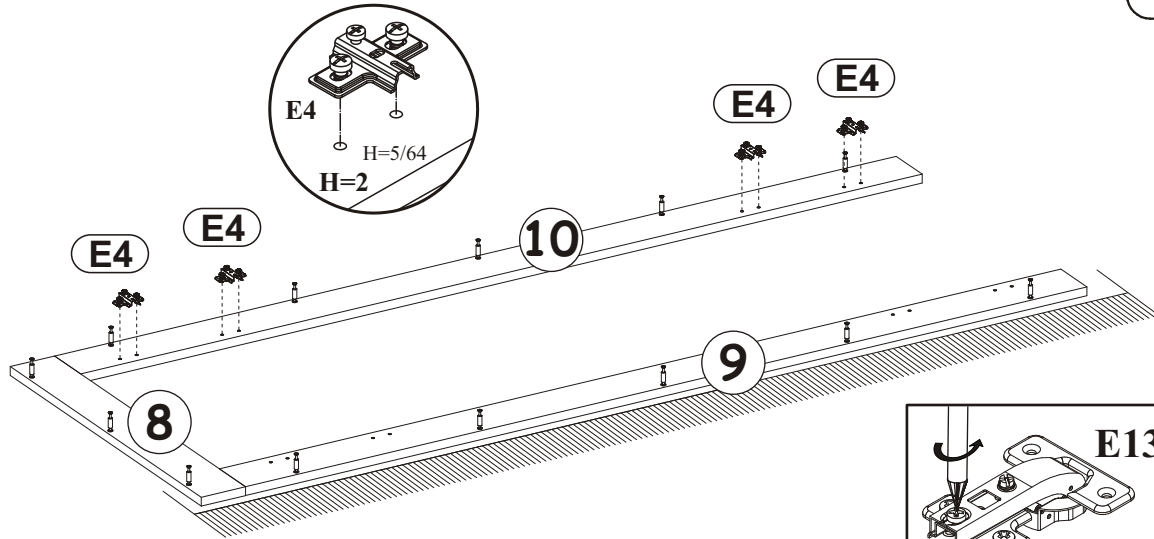
KR5	Ø 25/64"/1 31/32" x2 23/64"
SFXP	
x1	Ø10/50x60




BOOKCASE

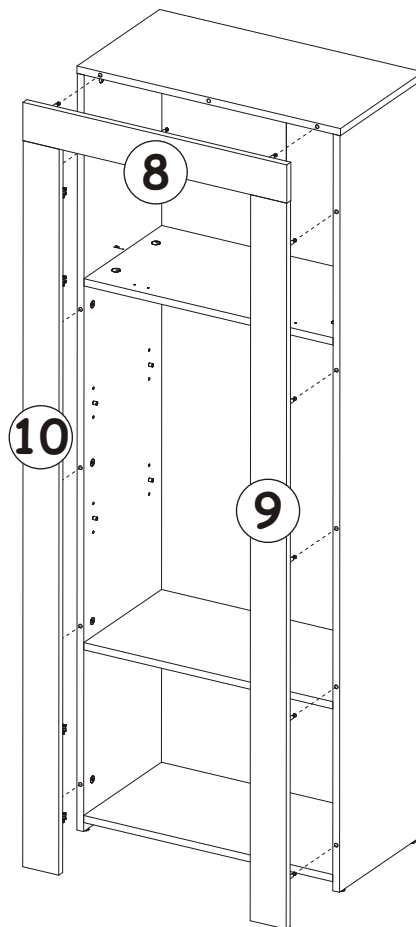
17

E4	
x4	H=2 H=5/64



18

G5	
x13	

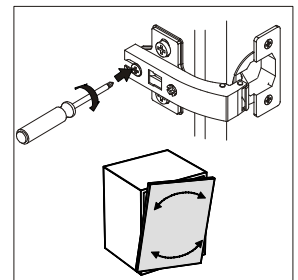
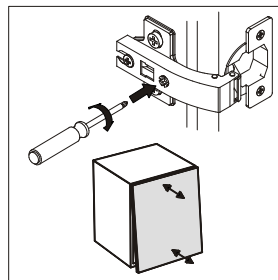
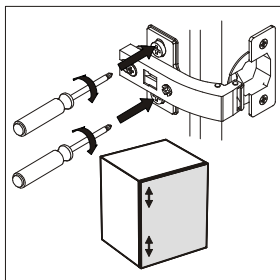
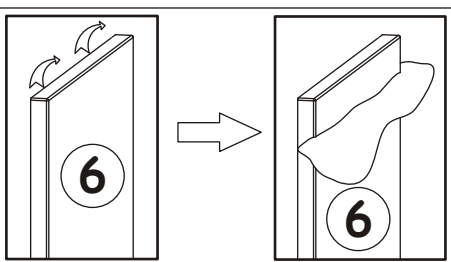
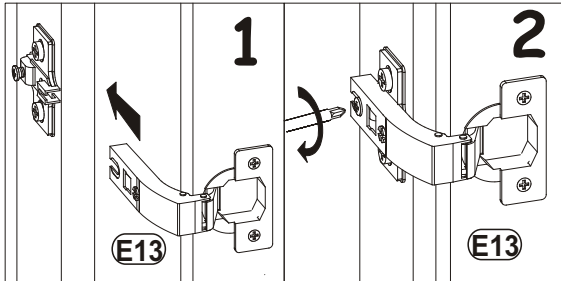
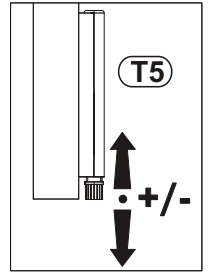
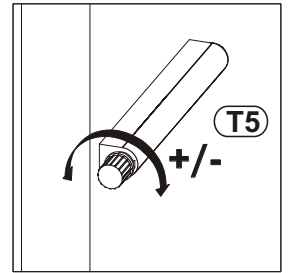
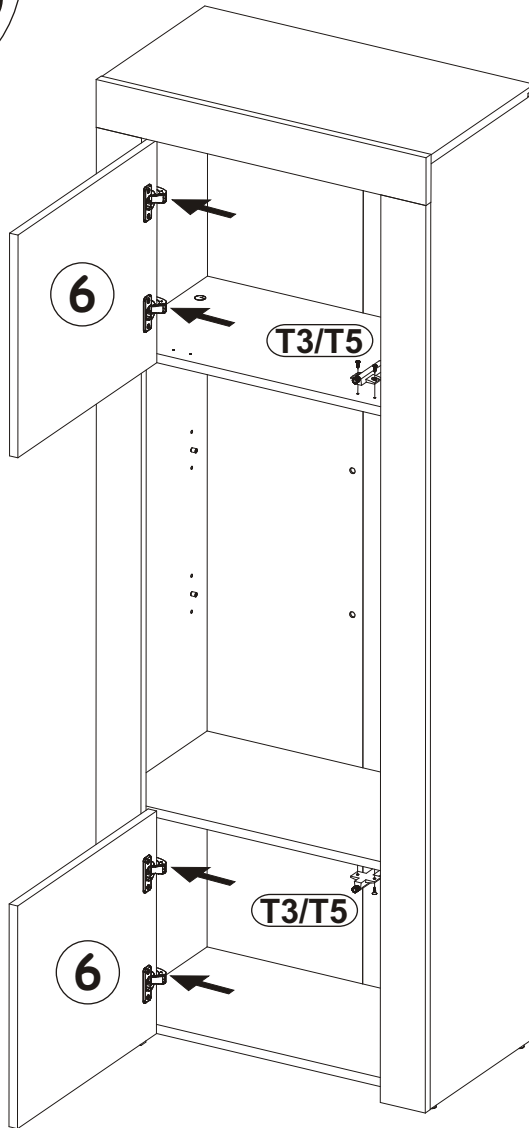
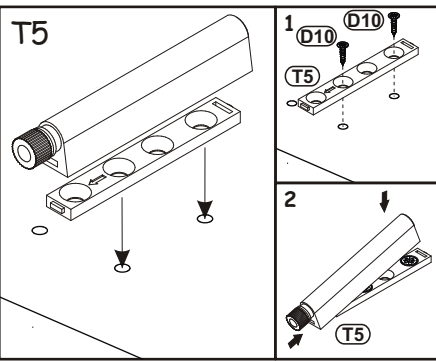
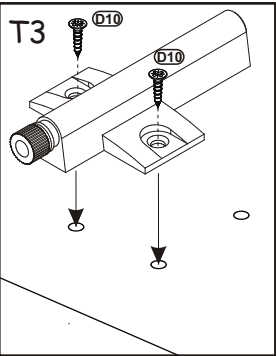
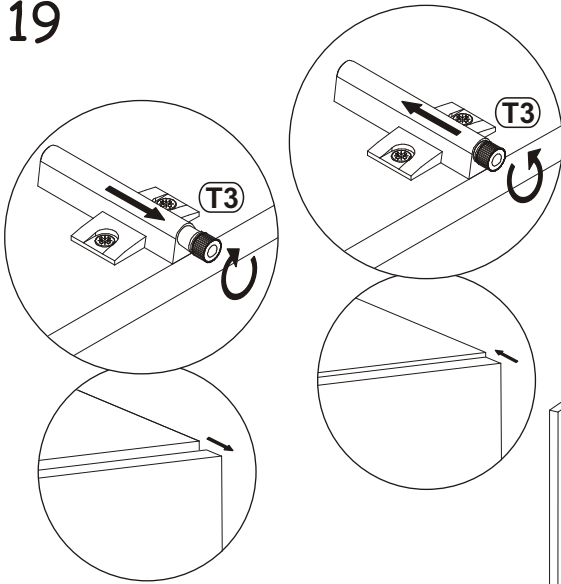


BOOKCASE


19

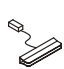
D10	USØ9/64"x33/64"
x4	USØ3,5x13

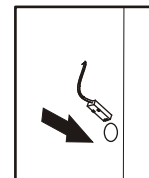
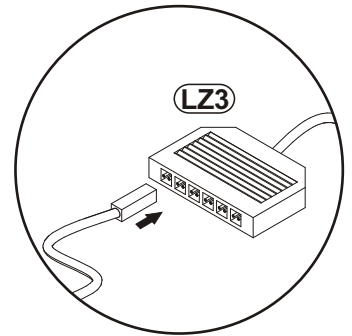
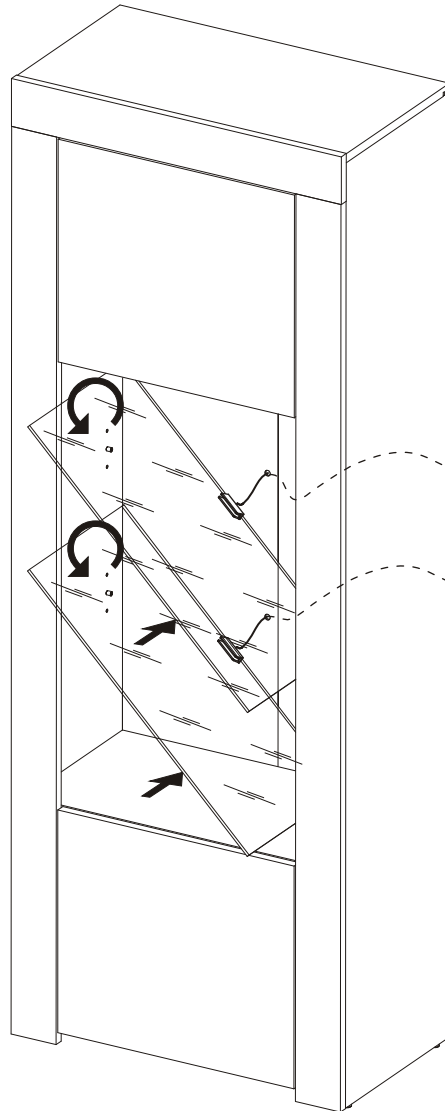
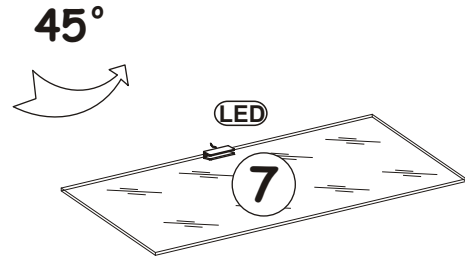
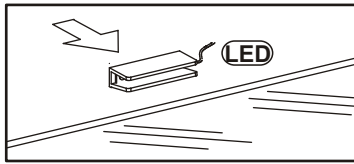
T3/T5	
x2	



20

LZ3	
x1	

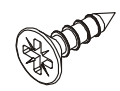
LED	
x2	



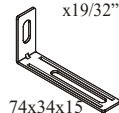
BOOKCASE

21

D10	USØ9/64"x33/64"
x2	USØ3,5x13



L1	2 29/32"x1 11/32" x19/32"
x1	74x34x15



KR5	Ø 25/64"/1 31/32" x2 23/64"
SFXP	
x1	Ø10/50x60

