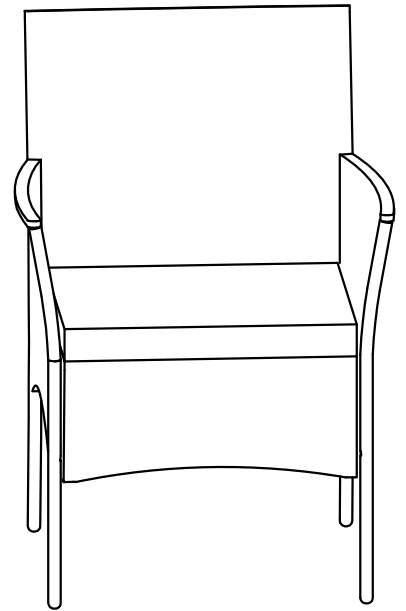
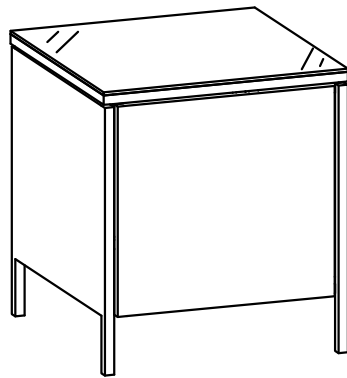
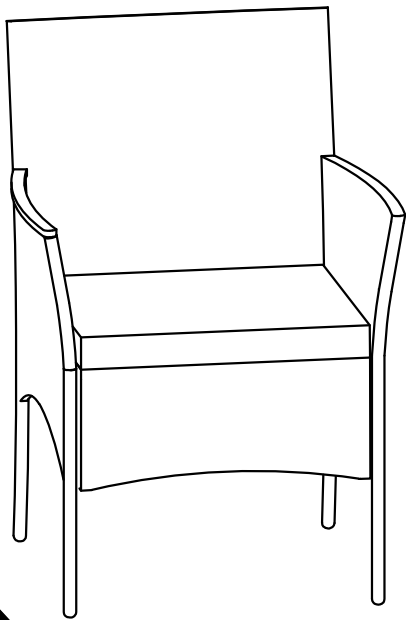


# ASSEMBLY INSTRUCTIONS

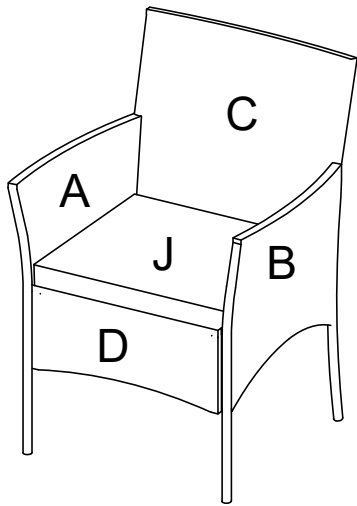
---

- 3-Pieces  
Rattan Patio Furniture Set



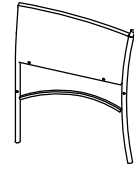
# Parts

Check and make sure you get the components on the list, contact us for any missing



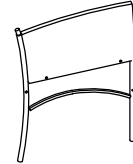
● 2-Single Rattan Chair

A : Right Armrest



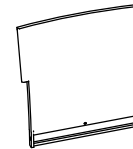
2 Pcs

B : Left Armrest



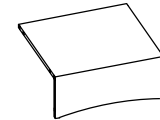
2 Pcs

C : Single Back



2 Pcs

D : Single Seat



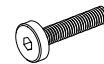
2 Pcs

J : Single Cushion



2 Pcs

1 : Allen Bolt M6 x 35mm



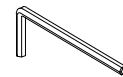
18 Pcs

● 3: Flat Washer



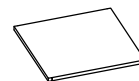
30 Pcs

● 4 : Allen Key



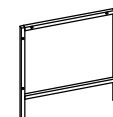
2 Pcs

F : Table Top



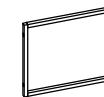
1 Pc

G : Table Leg



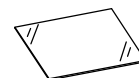
2 Pcs

H : Table Side



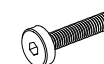
2 Pcs

I : Glass

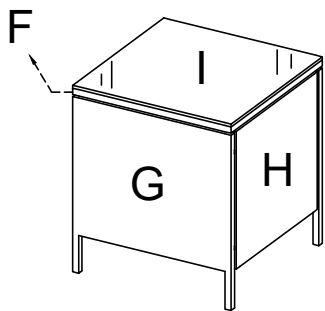


1 Pc

2 : Allen Bolt M6 x 30mm



12 Pcs



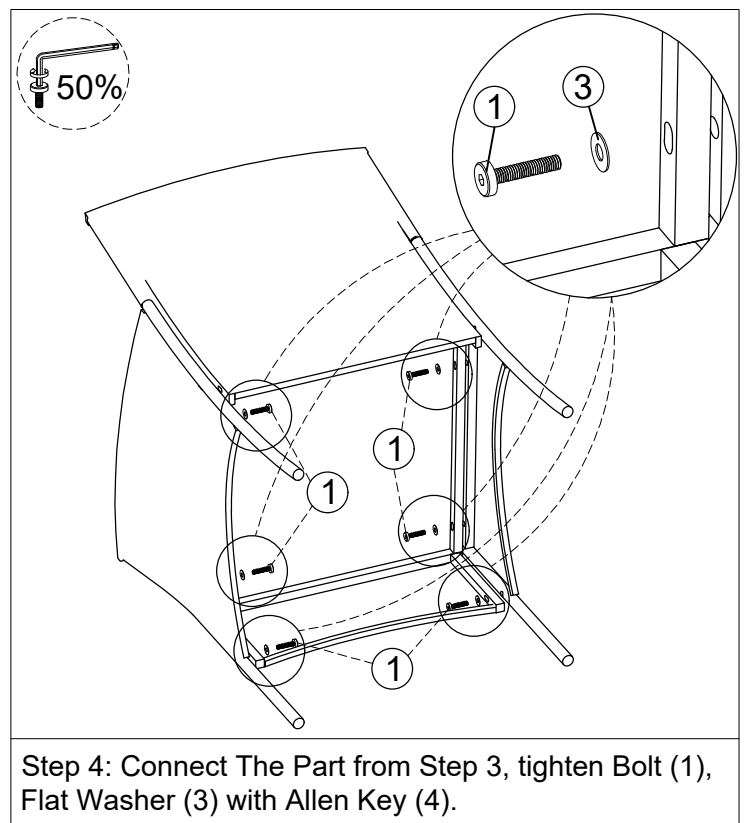
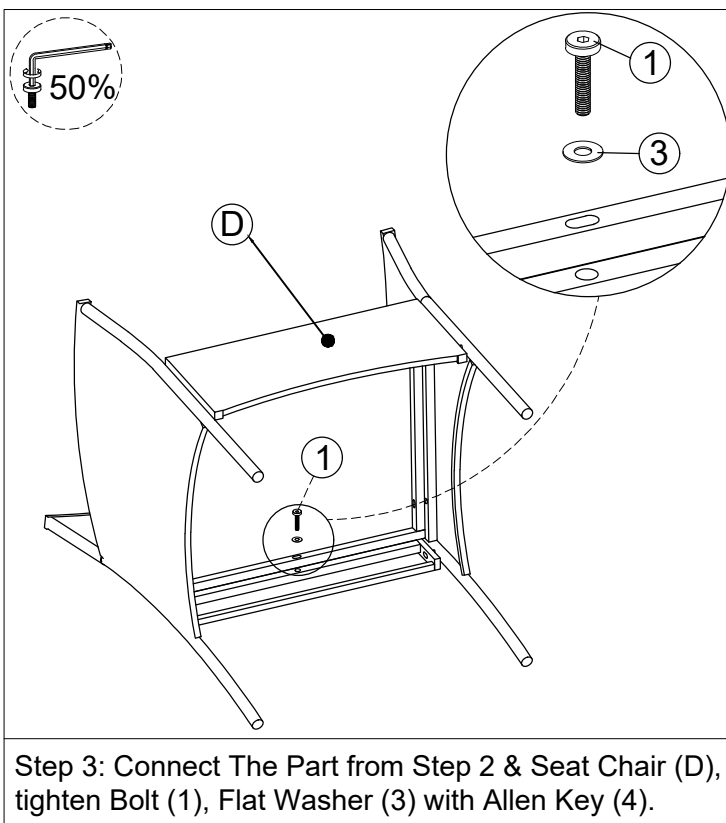
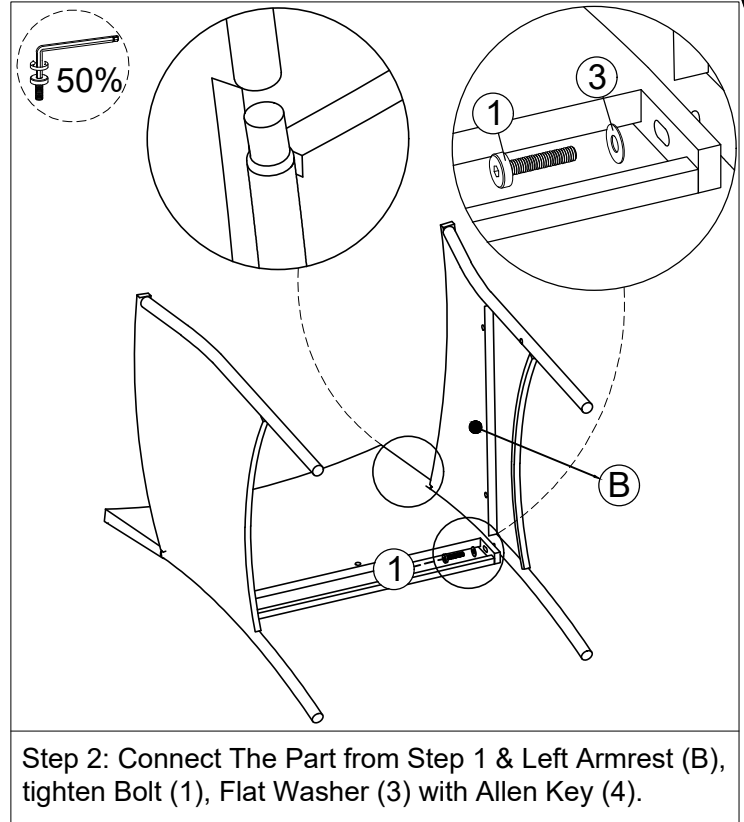
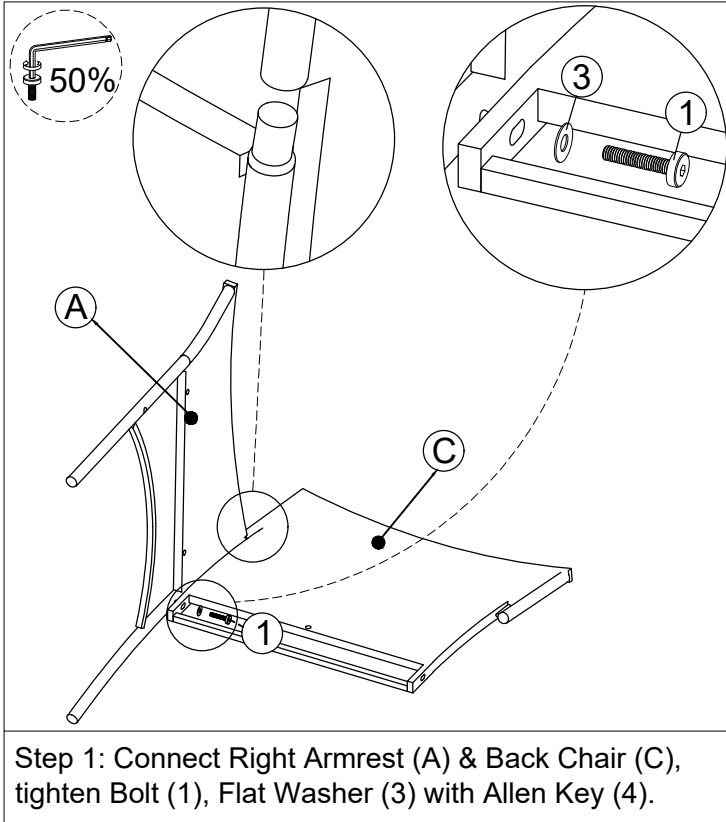
● 1-Rattan Coffee Table



For successful installation, When installing, please do not tighten the screws once, when the screws are all installed, a unified tightten all the screws

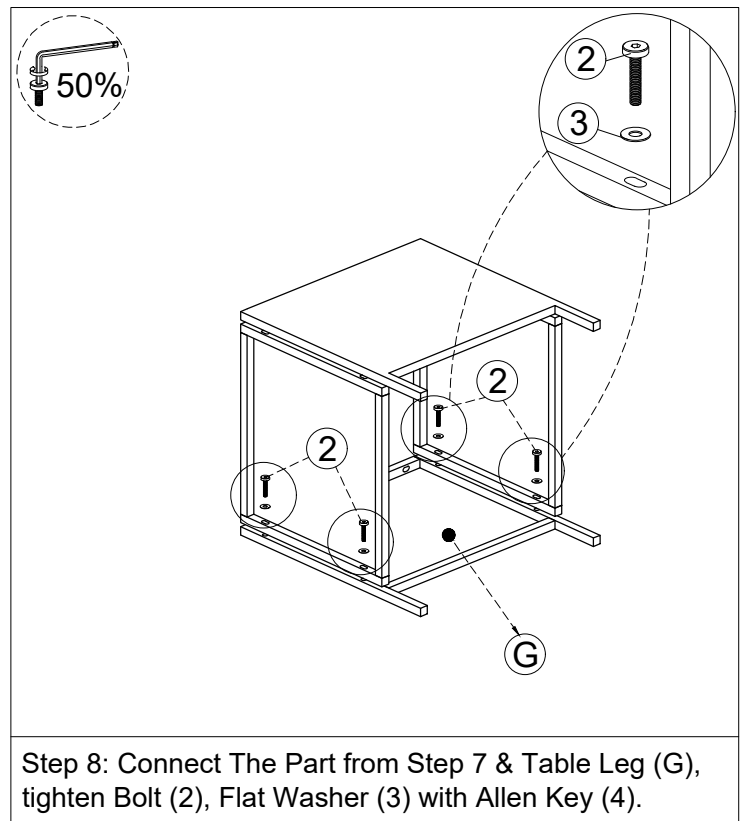
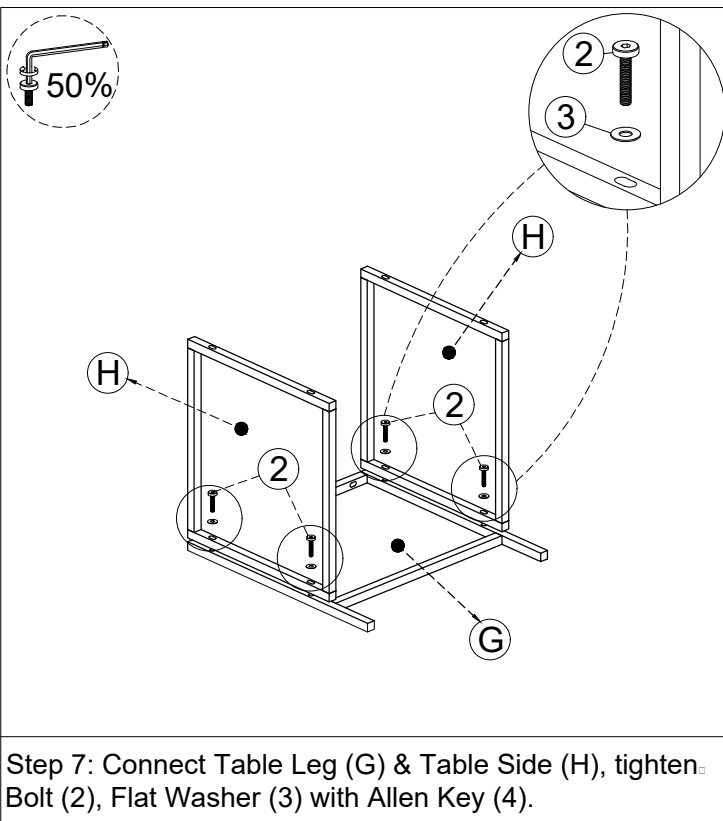
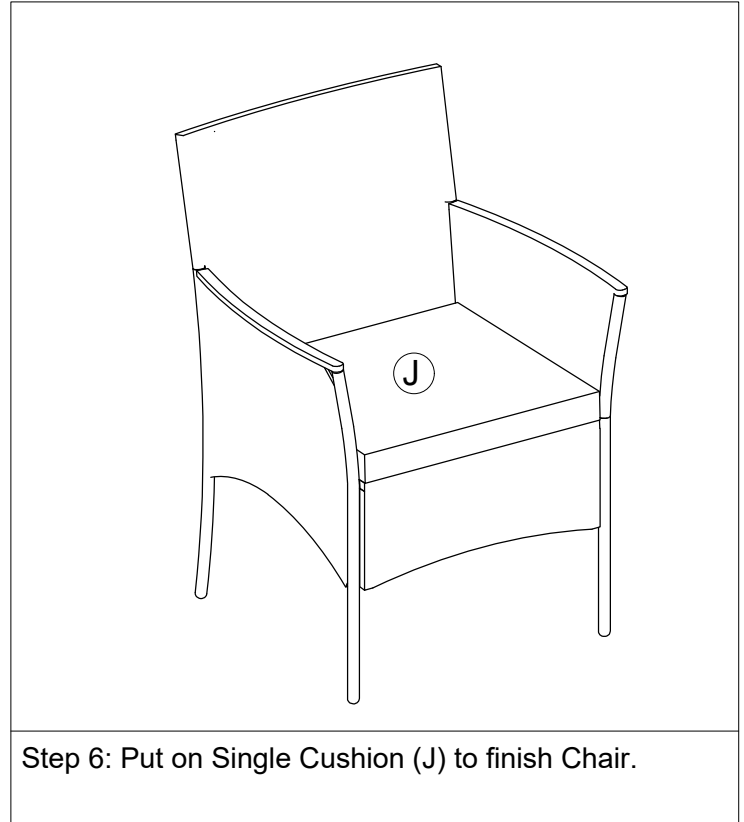
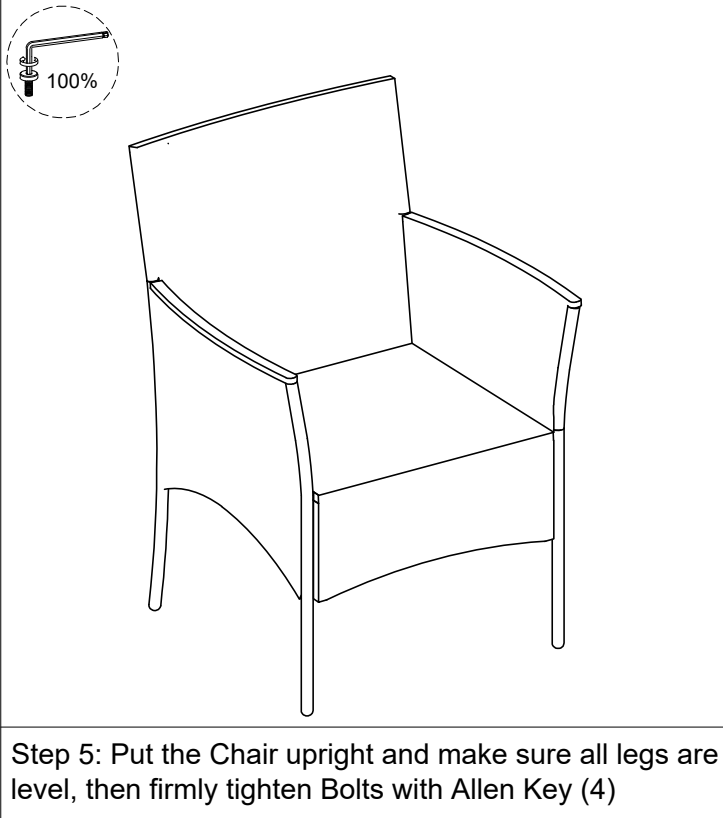
# Installation step

For successful installation, When installing, please do not tighten the screws once, when the screws are all installed, a unified tightten all the screws



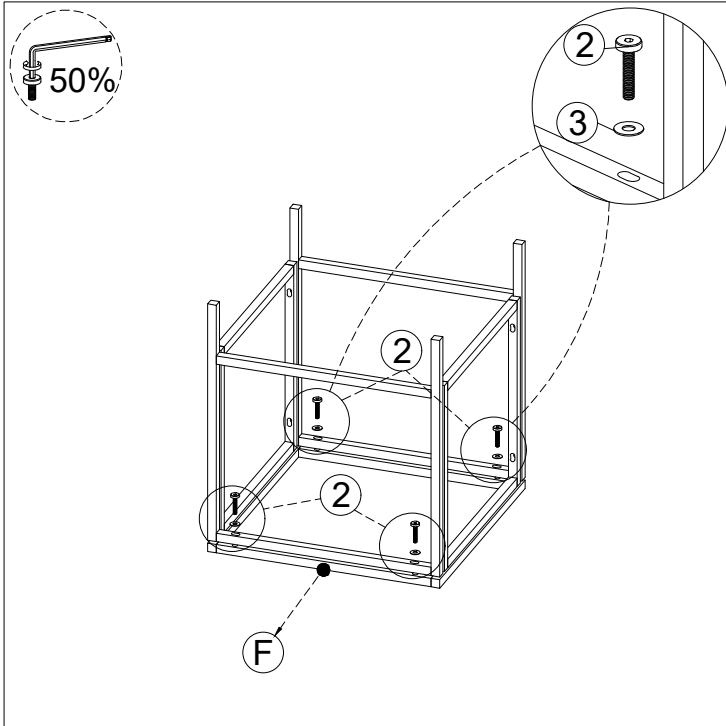
# Assembly steps

Tips : DO NOT tighten any screws until all the parts are put together.

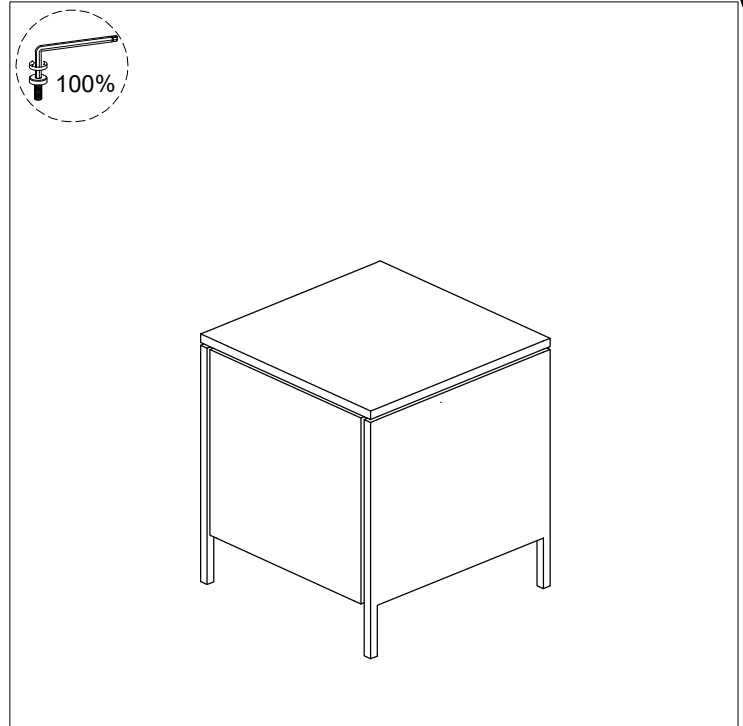


# Assembly steps

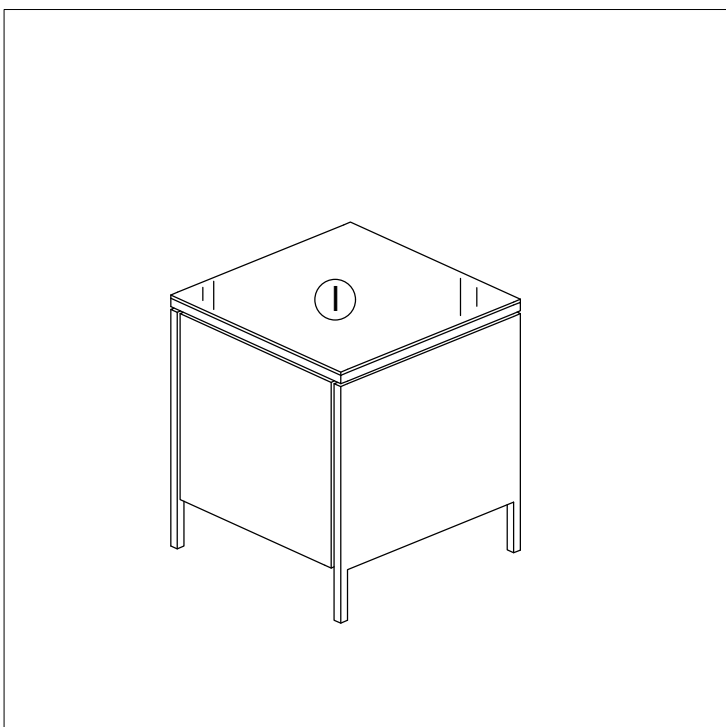
Tips : DO NOT tighten any screws until all the parts are put together.



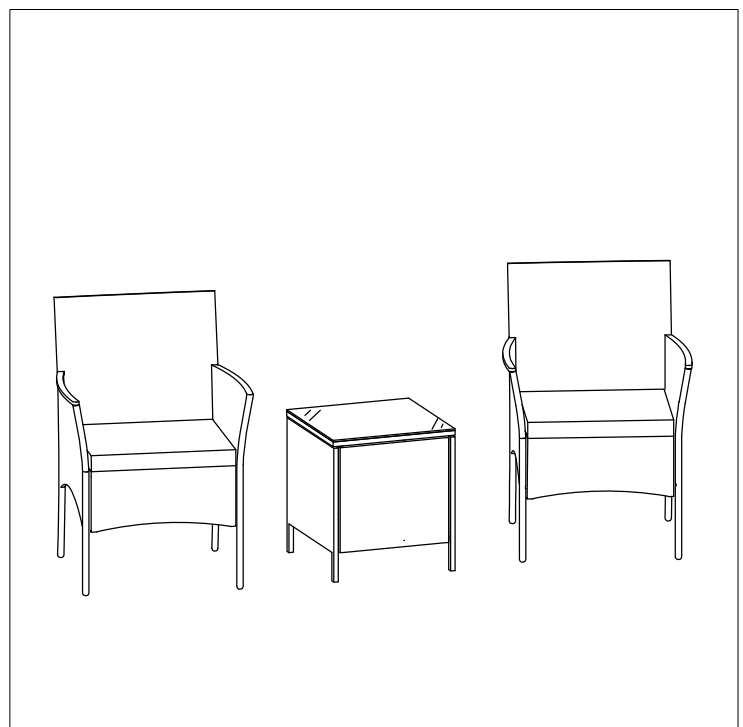
Step 9: Connect The Part from Step 8 & Table Top (F), tighten Bolt (2), Flat Washer (3) with Allen Key (4).



Step 10: Put the Table upright and make sure all legs are level, then firmly tighten Bolts with Allen Key (4)



Step 11: Put on Glass (I) to finish Table.



FINISH