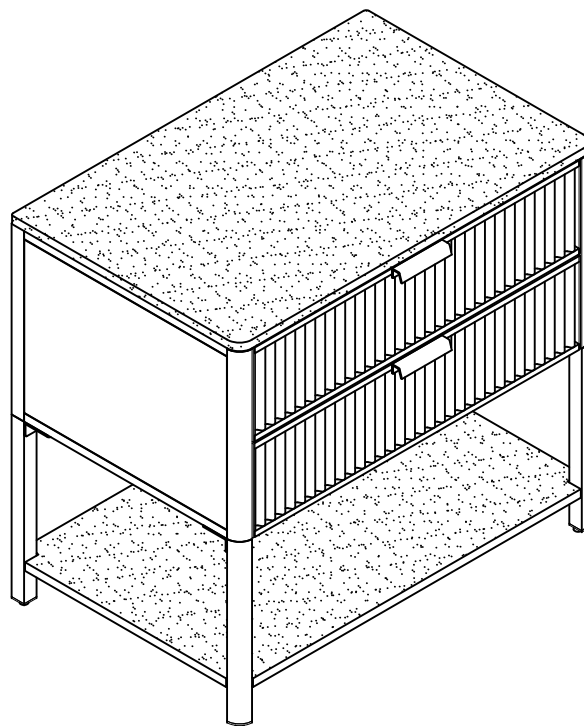


ASSEMBLY INSTRUCTIONS



SIDE TABLE

ASSEMBLY INSTRUCTIONS

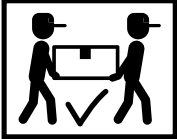
ASSEMBLY TIPS:

1. Remove hardware from box and sort by size.
2. Please check to see that all hardware and parts are present prior to start of assembly.
3. Please follow attached instructions in the same sequence as numbered to assure fast & easy assembly.



WARNING !

1. Don't attempt to repair or modify parts that are broken or defective. Please contact the store immediately.
2. This product is for home use only and not intended for commercial establishment.



ASSEMBLY TIME

15 MINUTE

PARTS IDENTIFICATION

A FRONT LEG 1

1PC

E HANDLE

2PCS

B FRONT LEG 2

1PC

F DRAWER FRAME

1PC

C BACK LEG 1

1PC

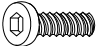



G BOTTOM SHELF

1PC

D BACK LEG 2

1PC

HARDWARE IDENTIFICATION

1	BOLT (1/4"x1/2")		16PCS
2	BOLT (3/16"x1/2")		4PCS
3	WASHER (Ø16mm)		16PCS
4	ALLEN KEY (4x22x60mm)		1PC

NOTE:




Phillips head screw driver is required in the assembly process; however, manufacturer does not provide this item.

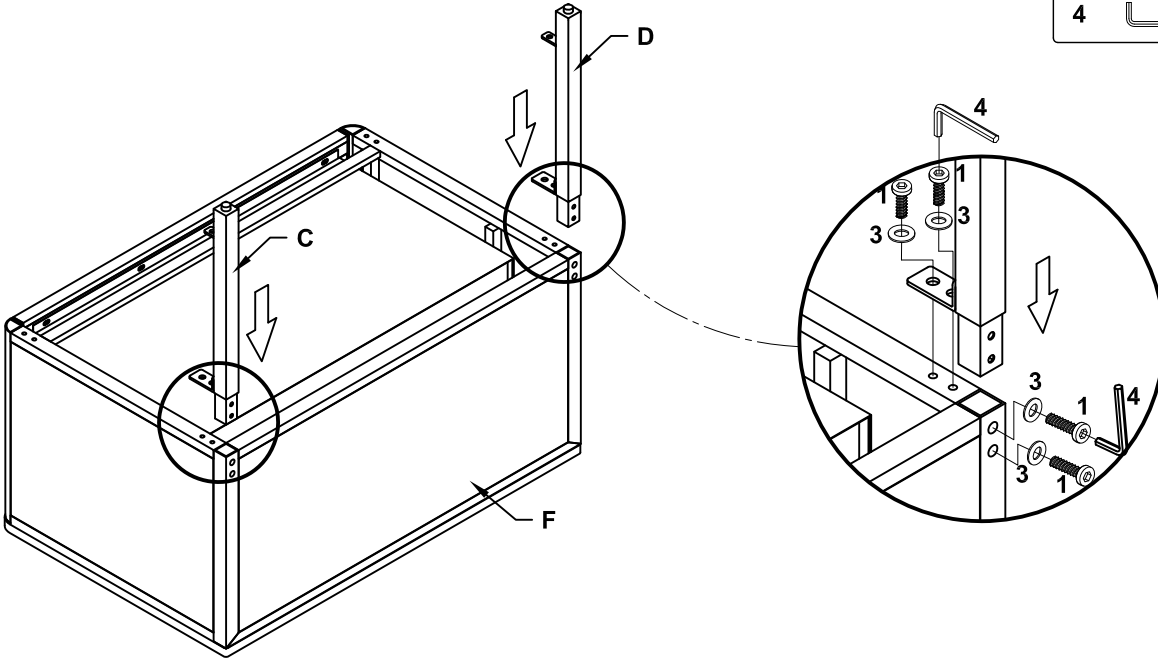
ASSEMBLY INSTRUCTIONS

STEP 1:




ASSEMBLY

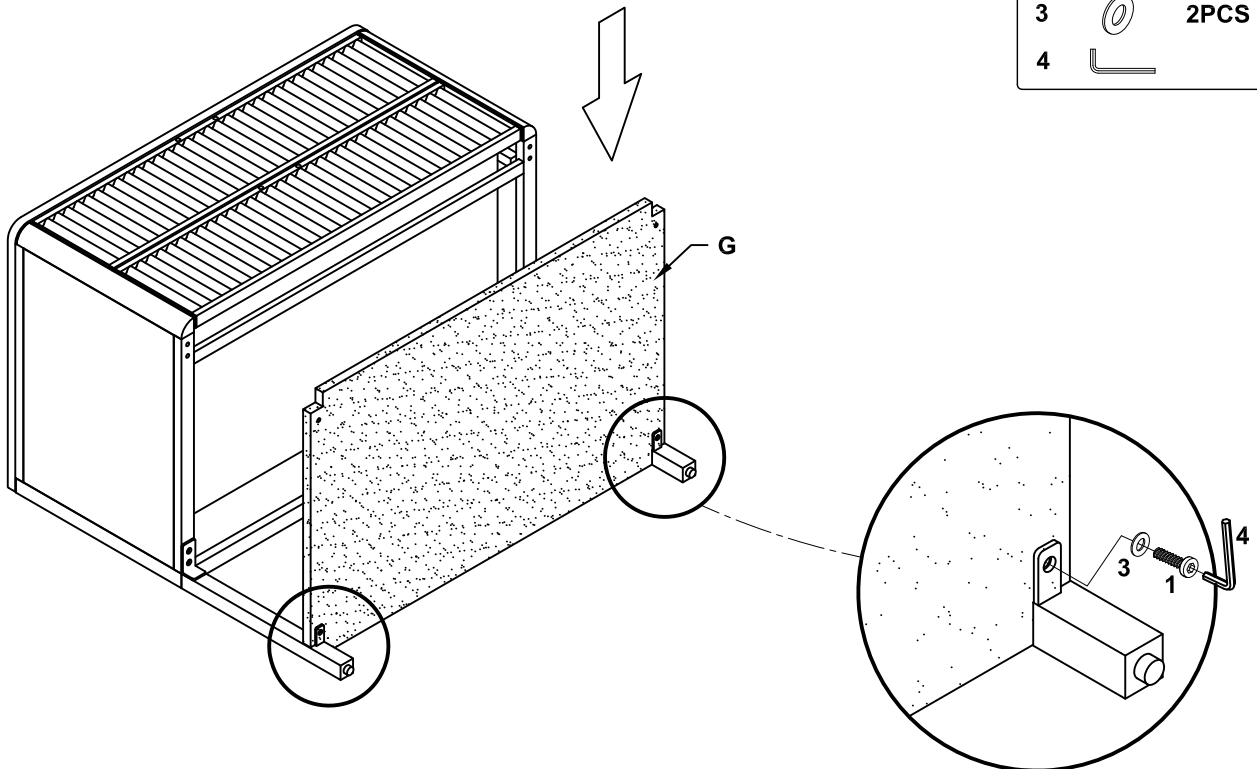
Do not fully tighten all bolts until assembly is complete.
This will help all parts to assemble properly.

1		8PCS
3		8PCS
4		



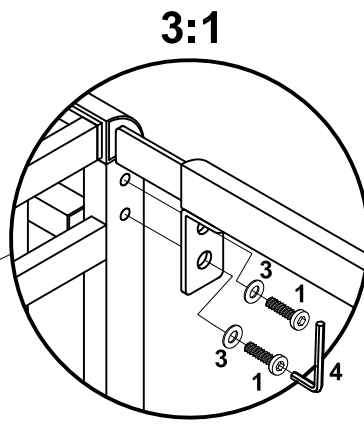
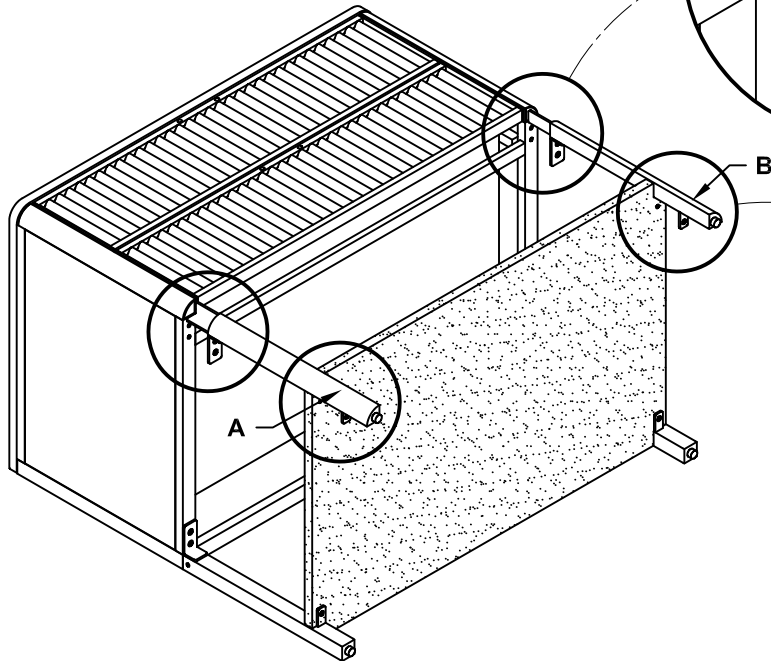
STEP 2:




1		2PCS
3		2PCS
4		

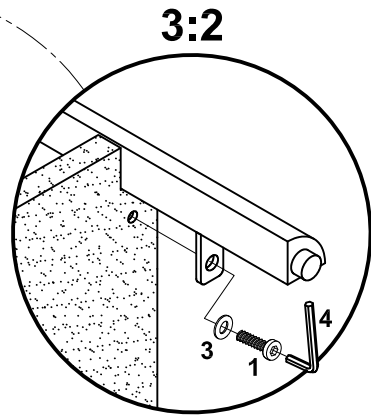


ASSEMBLY INSTRUCTIONS

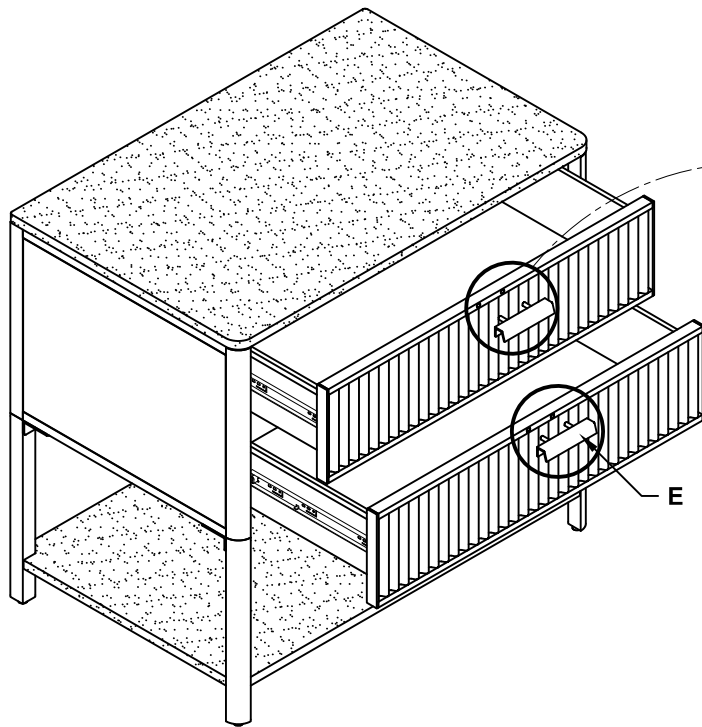
STEP 3:




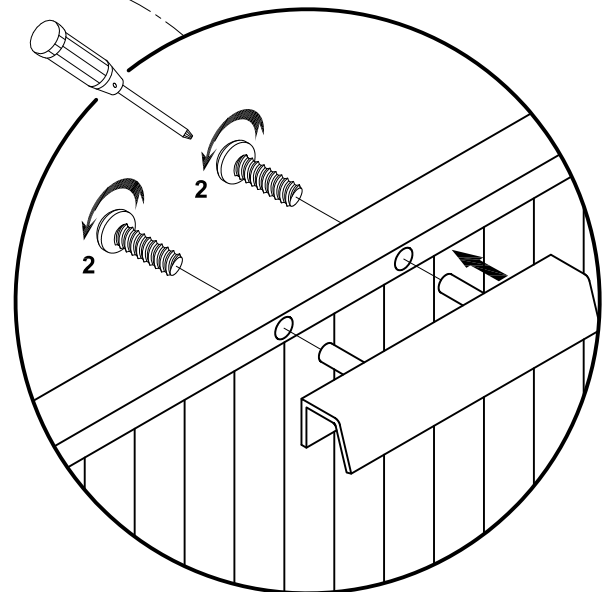
1		6PCS
3		6PCS
4		

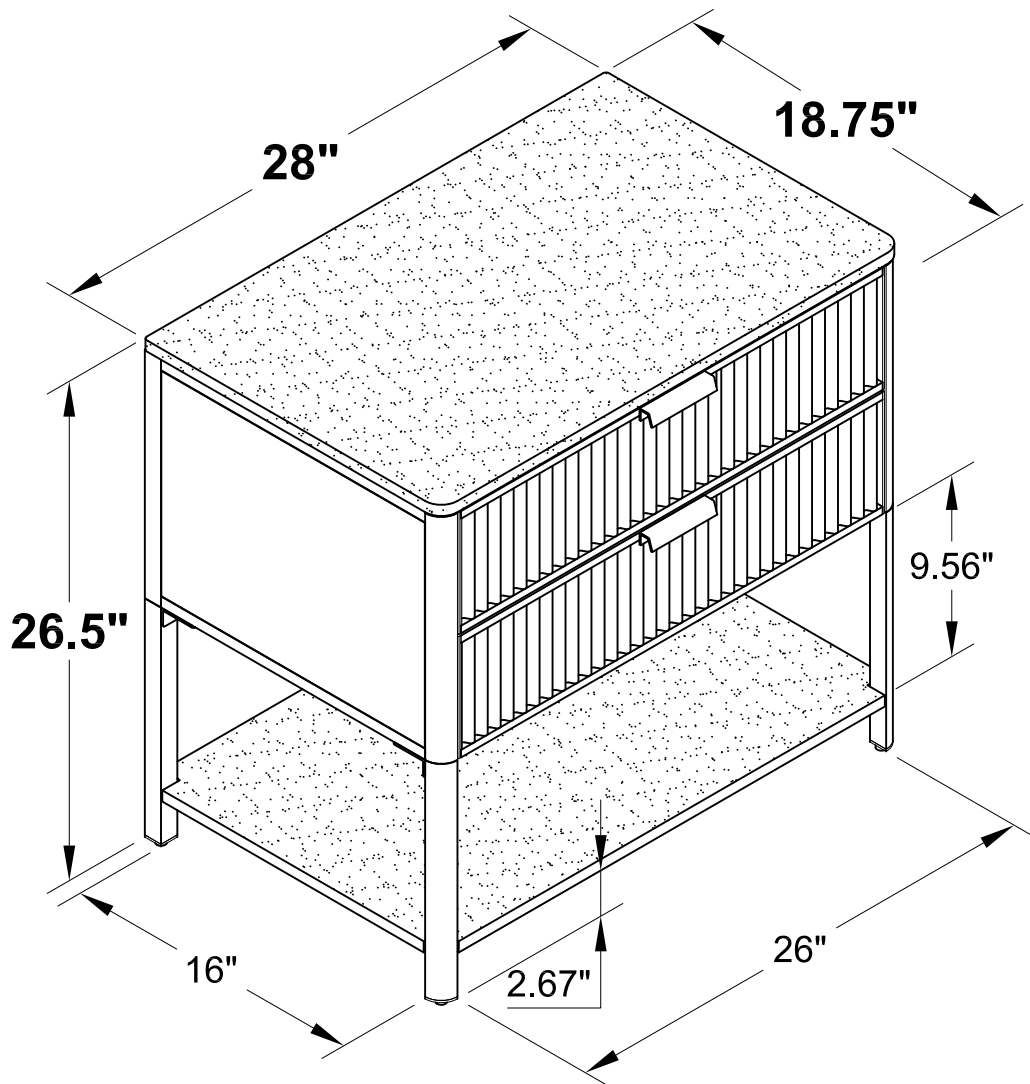


STEP 4:



2		4PCS
---	---	------





Note : Dimension tolerance $\pm 5\%$