

ASSEMBLY INSTRUCTION

Thank you for purchasing this quality product. Be sure to check all packing material carefully for small parts which may have come loose inside the carton during shipment. Separate, identify and count all parts and hardware. Compare with the parts list to be sure all parts are present.

IMPORTANT : PLEASE READ INSTRUCTION BEFORE STARTING THE ASSEMBLY.

"DO NOT TIGHTEN SCREWS UNTIL COMPLETELY ASSEMBLED"

"DO NOT OVERTIGHT ANY HARDWARE"

WARNING : SMALL PARTS AND HARDWARE NOT FOR CHILDREN UNDER 3 YEARS. ADULT ASSEMBLY REQUIRED.

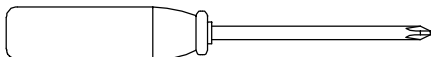
TABLE OF CONTENTS

HARDWARES LIST	PAGE 2 - 3
PARTS LIST	PAGE 4 - 5
PARTS' LOCATION	PAGE 6
ASSEMBLY STEPS	PAGE 7 - 19
ASSEMBLY COMPLETED	PAGE 20
ANTI-TIPPING INSTALLMENT INSTRUCTIONS	PAGE 21
PAY ATTENTION ITEMS	PAGE 22

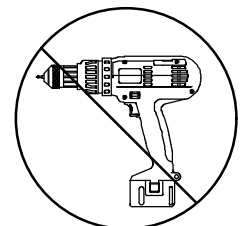
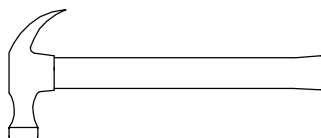
ASSEMBLY TOOLS REQUIRED

Skip the power trip this time.

1. Screwdriver (not provide)


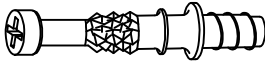


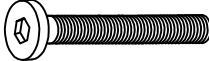

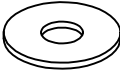
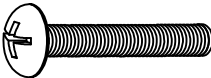
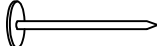


2. Hammer (not provide)



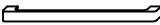

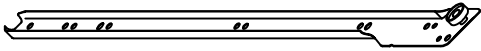
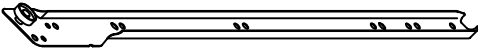


ASSEMBLY INSTRUCTION

HARDWARES LIST

ITEM	DESCRIPTION	DRAWING	QTY
A	MINIFIX CAM LOCK		54 PCS
B	MINIFIX CAM BOLT		54 PCS
C	WOOD DOWEL (M8 x 25MM)		26 PCS
D	WOOD DOWEL (M6 x 25MM)		40 PCS
E	JCBC SCREW M6 x 35MM		4 PCS
F	SPRING WASHER M6 x 13MM		4 PCS
G	FLAT WASHER M6 x 19MM		4 PCS
I	TRUSS M-SCREW (20MM)		10 PCS
L	6/8" NAIL		14 PCS

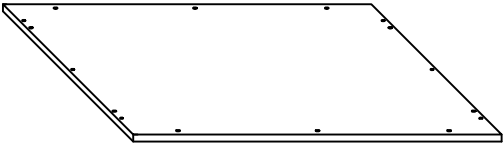
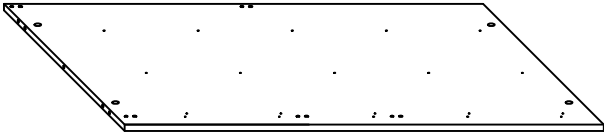
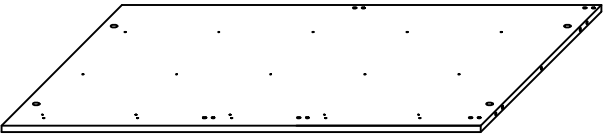
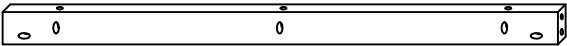
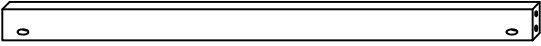
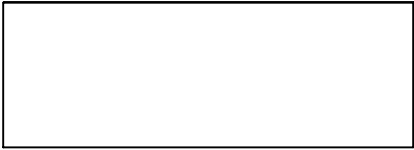
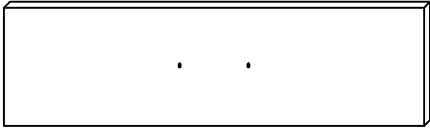
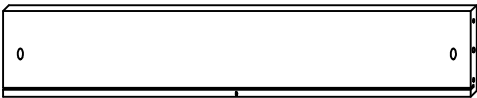

ASSEMBLY INSTRUCTION

HARDWARES LIST

ITEM	DESCRIPTION	DRAWING	QTY
M	HANDLE		5 PCS
N	M4 ALLEN KEY (65MM)		1 PC
O	LEFT DRAWER SLIDE		5 PCS
P	RIGHT DRAWER SLIDE		5 PCS
Q	CSK SCREW M3 x 10mm		40 PCS
R	PLASTIC STRIP (H SHAPE)		1 PC


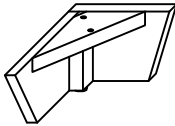
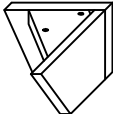
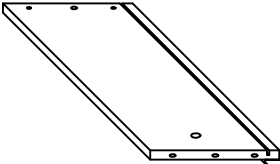
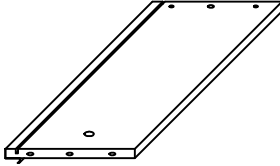
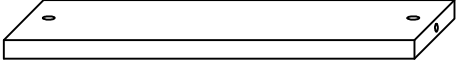
ASSEMBLY INSTRUCTION

PARTS LIST

ITEM	DESCRIPTION	DRAWING	QTY
C1	TOP PANEL		1 PC
C2	LEFT PANEL		1 PC
C3	RIGHT PANEL		1 PC
C4	TOP SUPPORT RAIL		2 PCS
C5	CENTRE SUPPORT RAIL		3 PCS
C7	BACK PANEL		2 PCS
C8	DRAWER HEAD		5 PCS
C9	DRAWER BACK PANEL		5 PCS
C10	DRAWER BOTTOM PANEL		5 PCS

ASSEMBLY INSTRUCTION

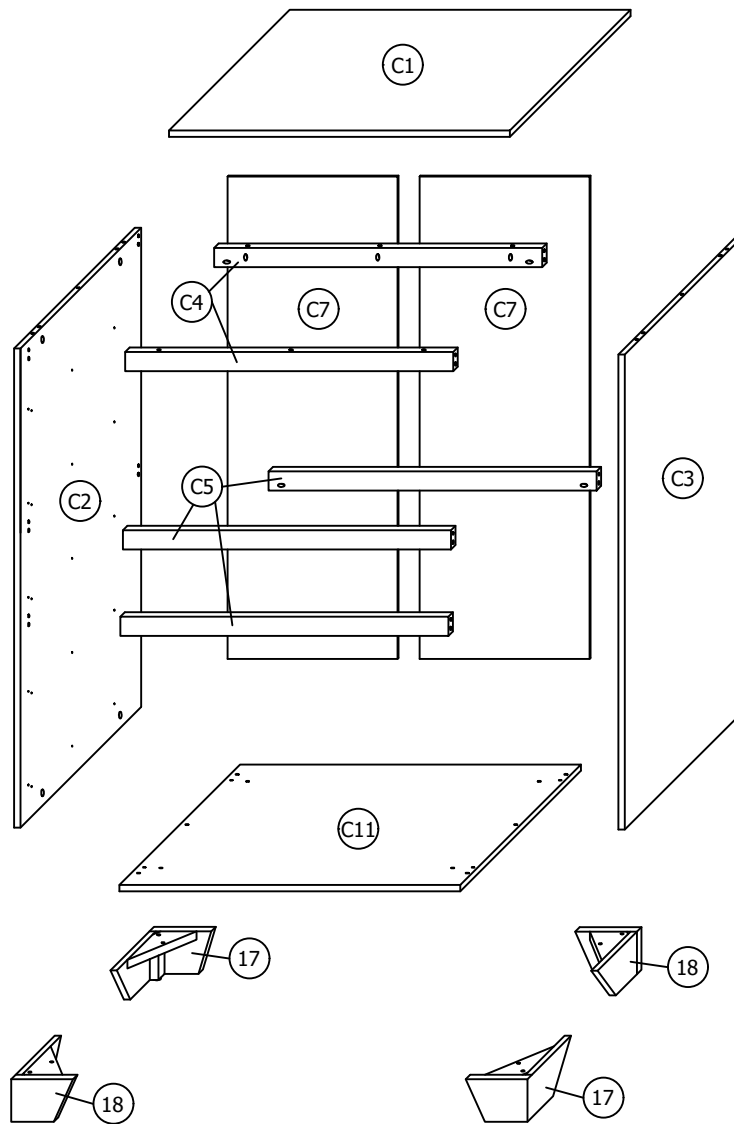
PARTS LIST

ITEM	DESCRIPTION	DRAWING	QTY
C11	BOTTOM PANEL		1 PC
17	LEG (i)		2 PCS
18	LEG (ii)		2 PCS
19	DRAWER LEFT PANEL		5 PCS
20	DRAWER RIGHT PANEL		5 PCS
21	DRAWER BOTTOM SUPPORT RAIL		5 PCS

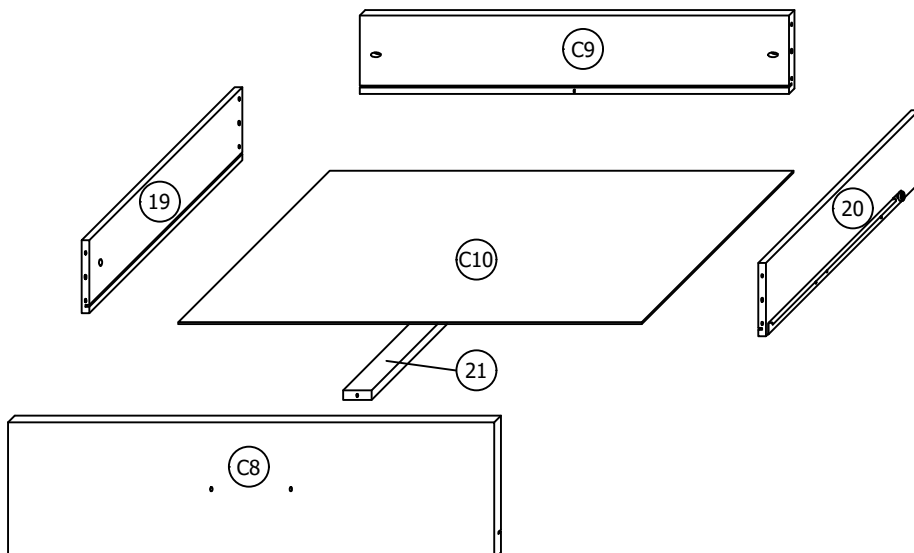
ASSEMBLY INSTRUCTION

PARTS ' LOCATION

CHEST x 1 PC



DRAWER x 5 PCS

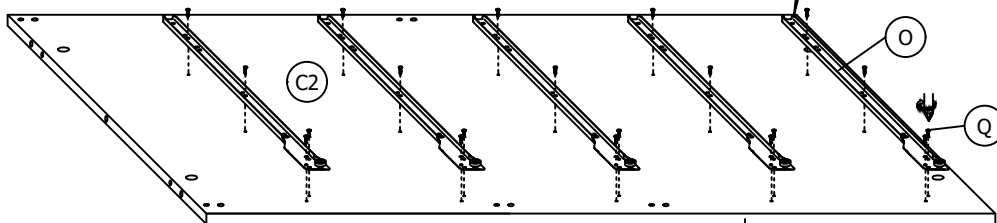
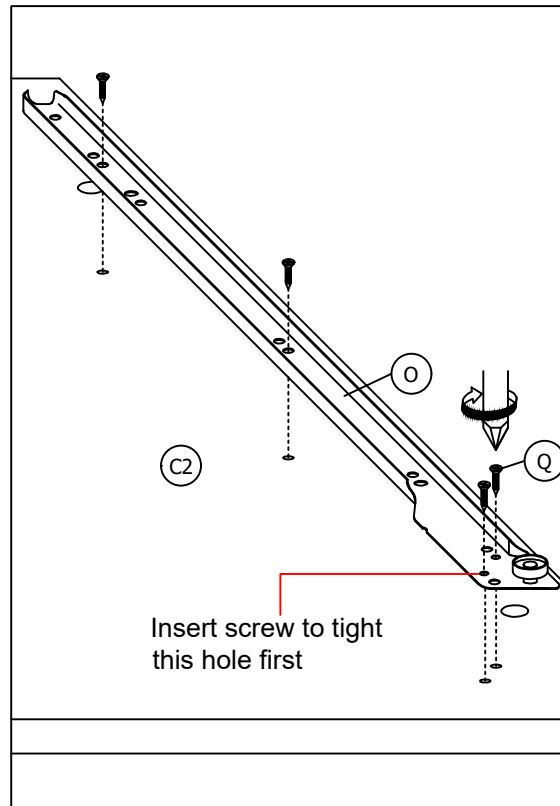


ASSEMBLY INSTRUCTION

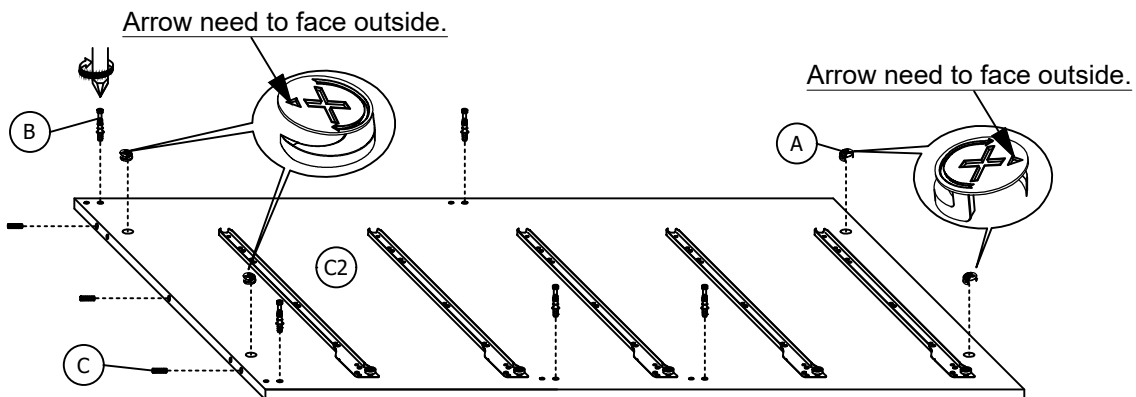
ASSEMBLY STEPS

STEP 1

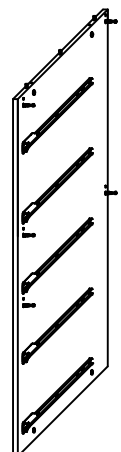
Fix the 5 pieces (O) to the (C2) by using 20 pieces (Q). Then insert 4 pieces (A), 5 pieces (B) and 3 pieces (C) as shown.



Finished edge



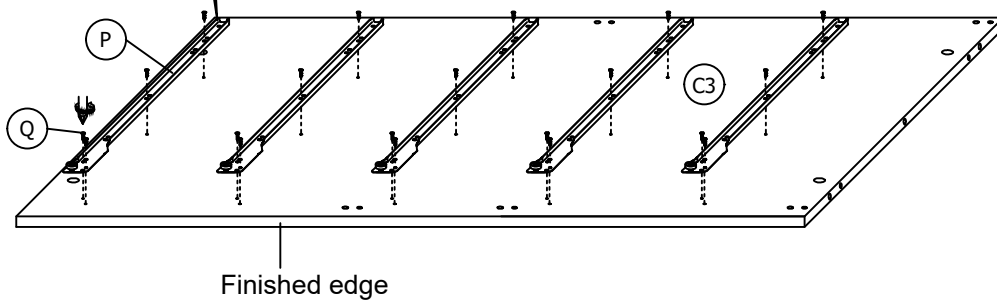
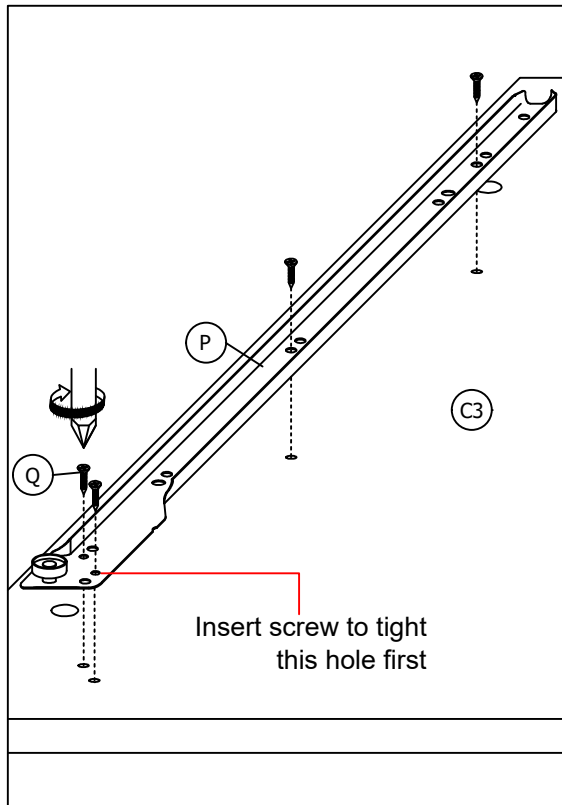
Assembled become like this



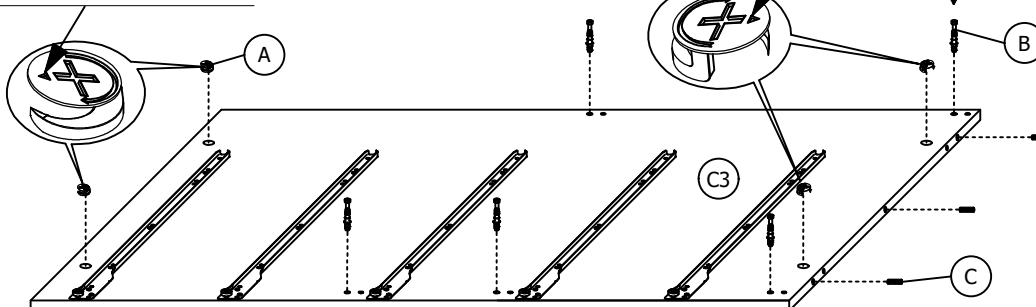
ASSEMBLY INSTRUCTION

STEP 2

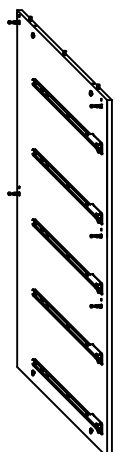
Fix the 5 pieces (P) to the (C3) by using the remaining 20 pieces (Q). Then insert 4 pieces (A), 5 pieces (B) and 3 pieces (C) as shown.



Arrow need to face outside.



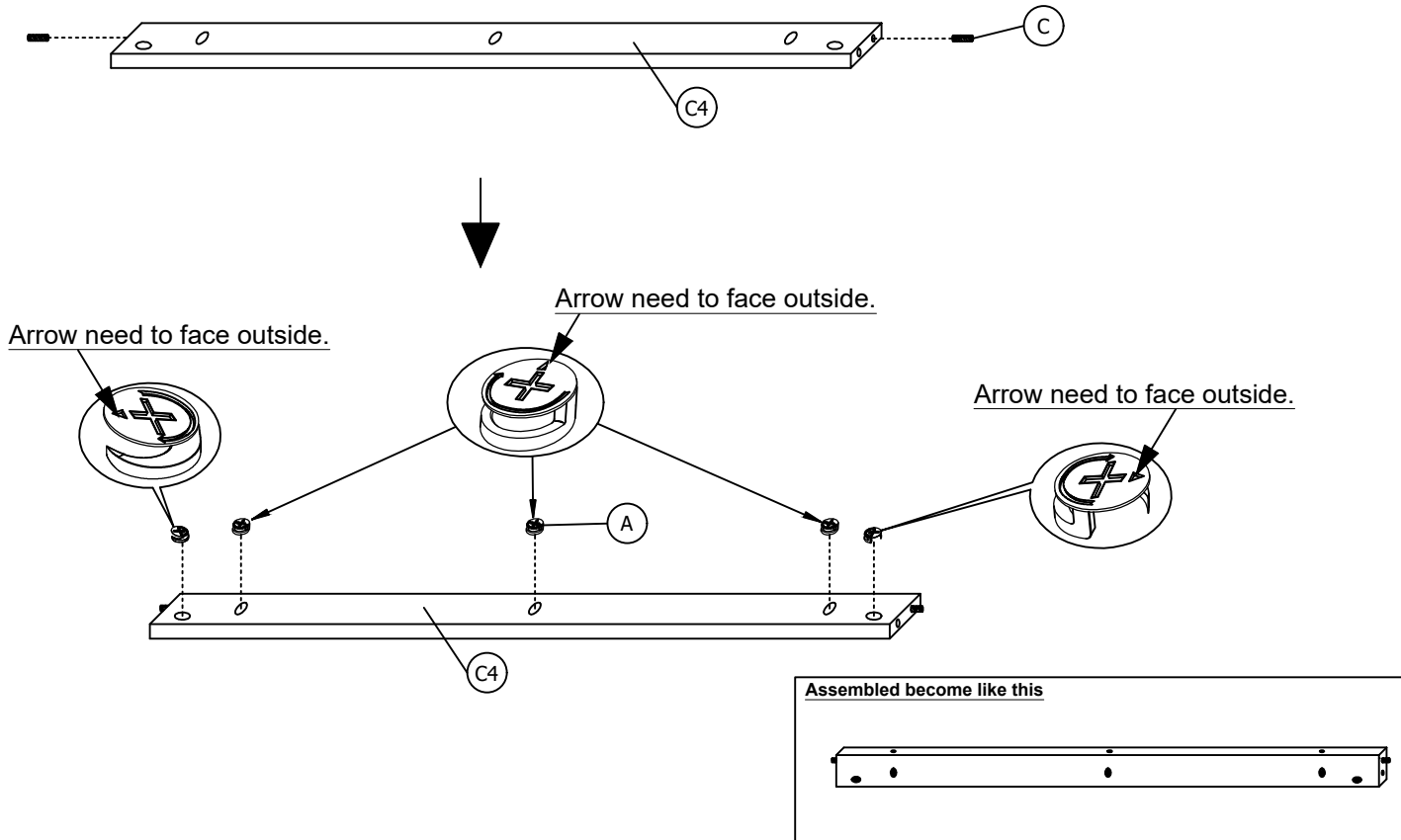
Assembled become like this



ASSEMBLY INSTRUCTION

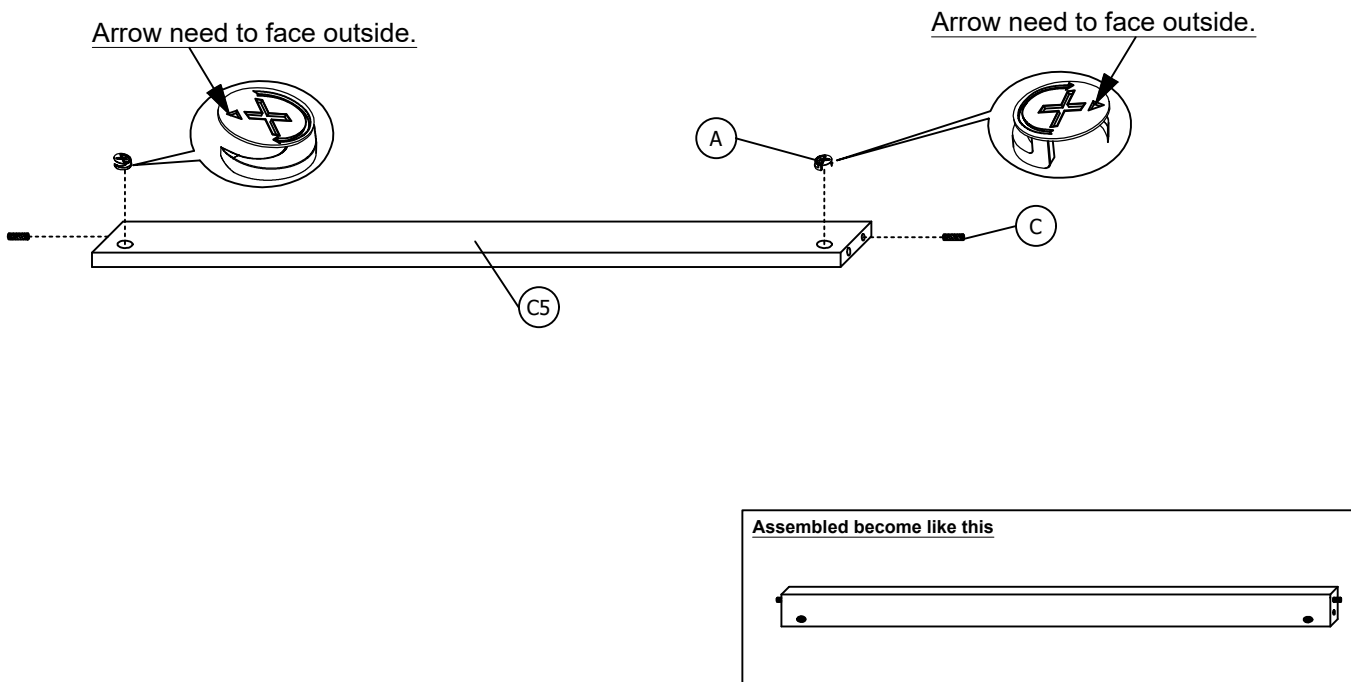
STEP 3

Insert 5 pieces (A) and 2 pieces (C) to the (C4) as shown. This step needs to be **done twice**.



STEP 4

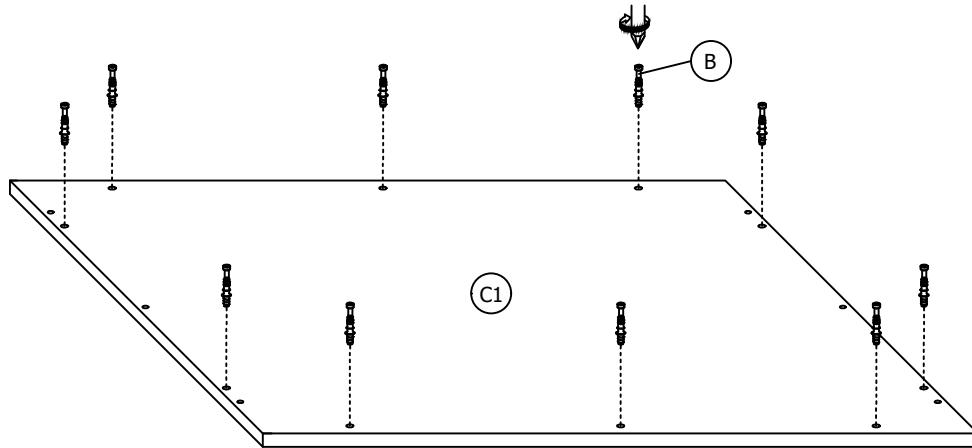
Insert 2 pieces (A) and (C) to the (C5) as shown. This step needs to be **done three times**.



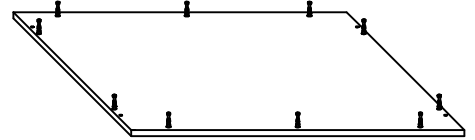
ASSEMBLY INSTRUCTION

STEP 5

Insert 10 pieces (B) to the (C1) as shown.

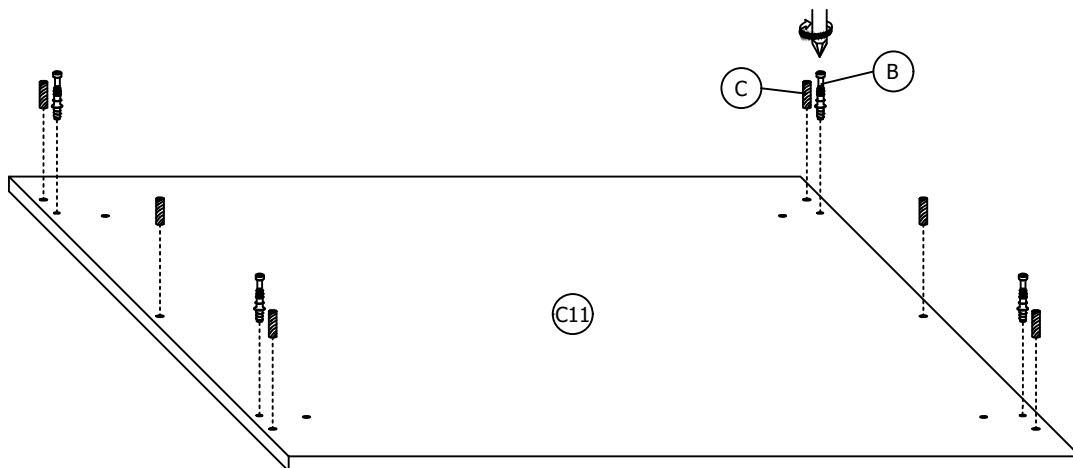


Assembled become like this

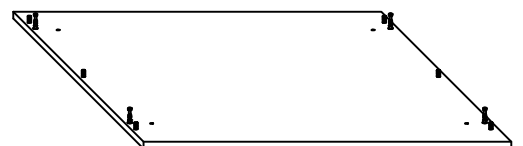


STEP 6

Insert 4 pieces (B) and 6 pieces (C) to the (C11) as shown.



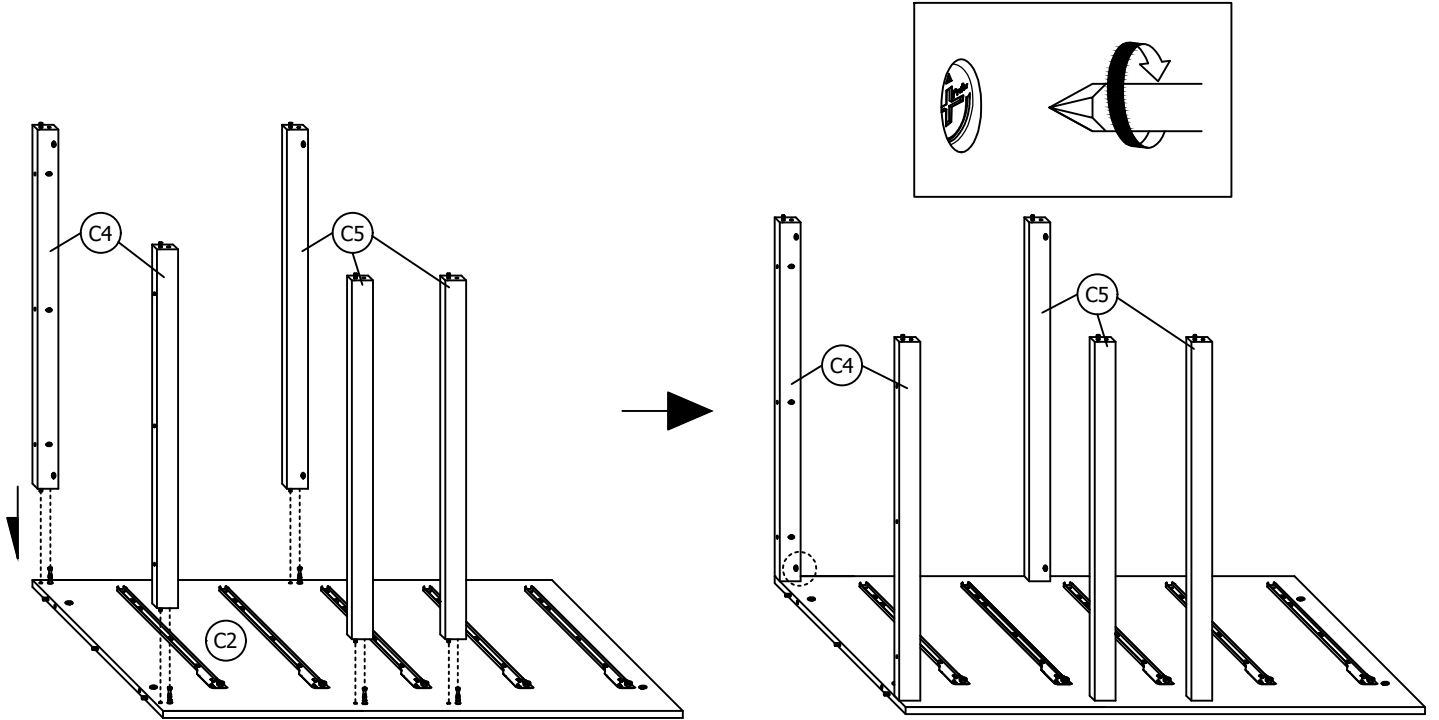
Assembled become like this



ASSEMBLY INSTRUCTION

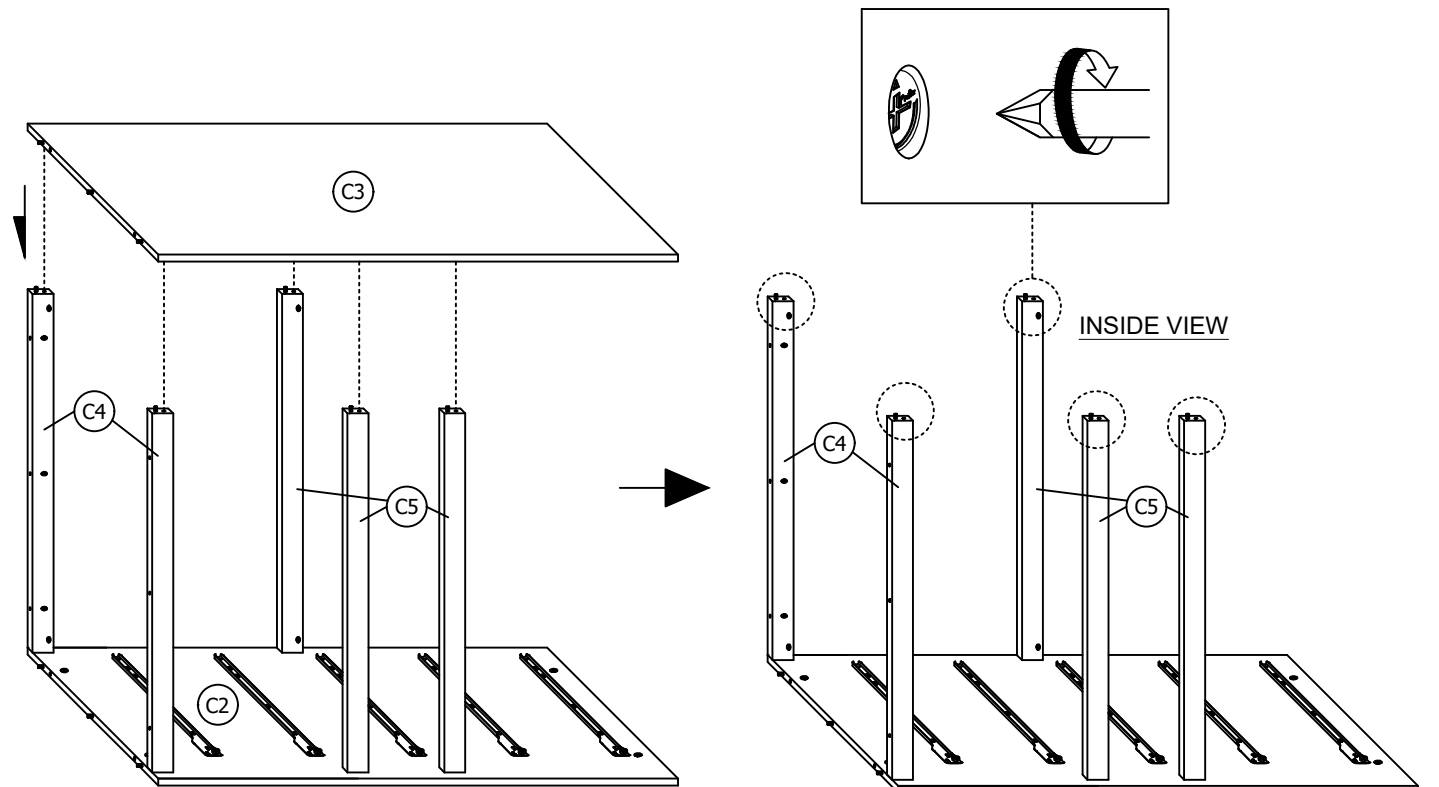
STEP 7

Combine the (C4),(C5) to the (C2) then tighten the 5 pieces (A)-(pre insert in step 3 and 4) as shown.



STEP 8

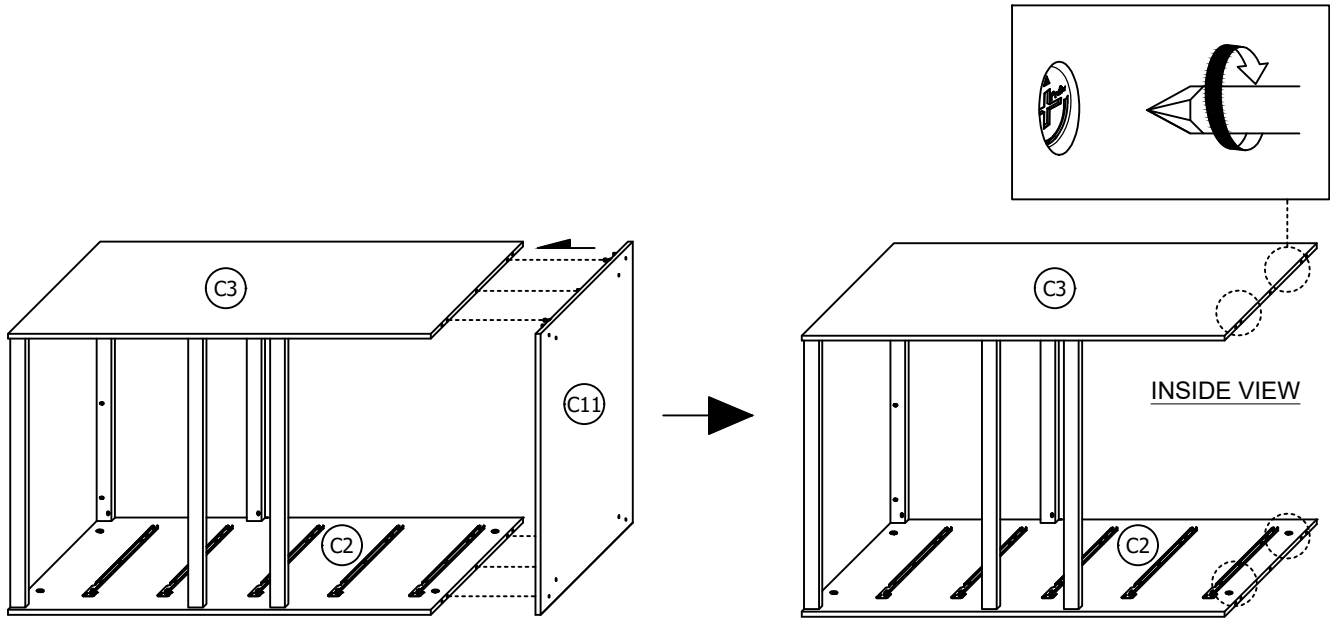
Combine the (C3) to the (C4),(C5) then tighten the another 5 pieces (A)-(pre insert in step 3 and 4) as shown.



ASSEMBLY INSTRUCTION

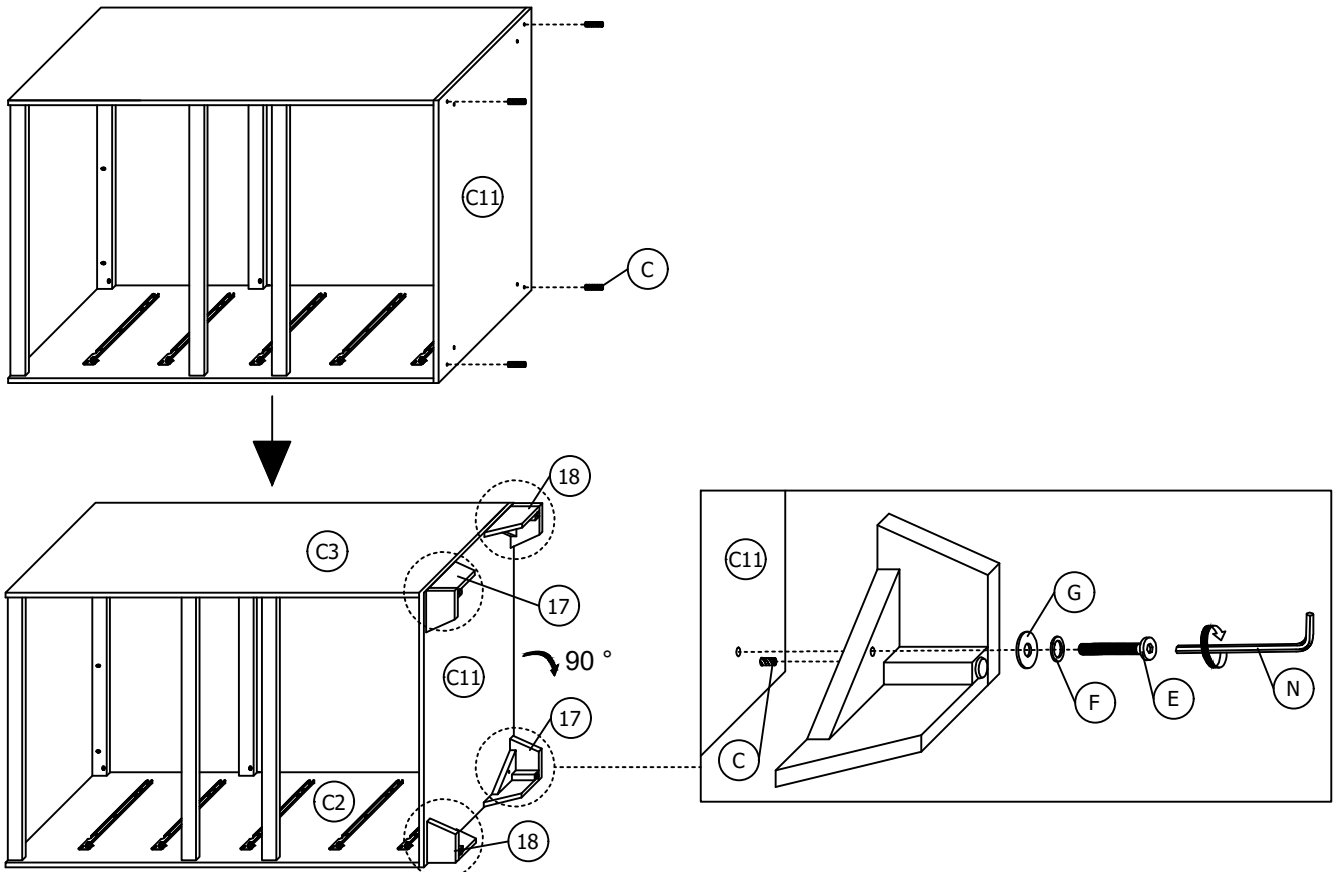
STEP 9

Combine the (C11) to the (C2),(C3) then tighten the 4 pieces (A)-(pre insert in step 1 and 2) as shown.



STEP 10

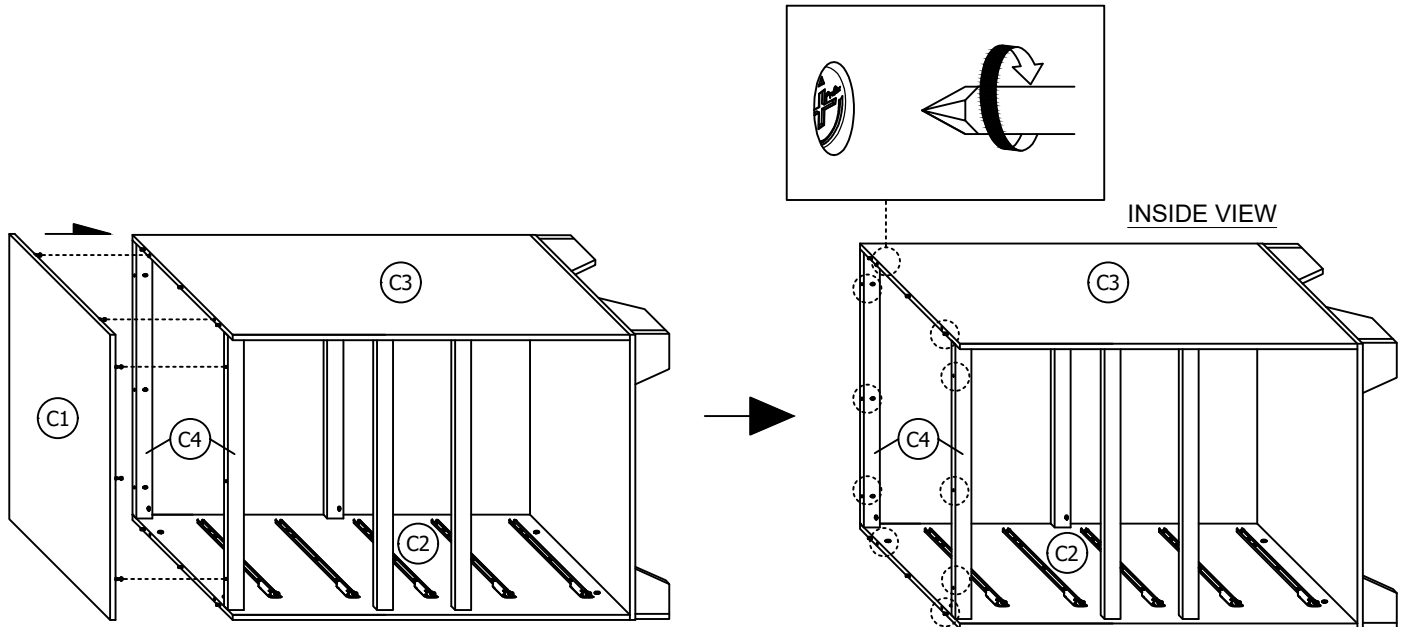
Insert 4 pieces (C),(E),(F) and (G) to combine the (17) and (18) to the (C11) as shown.



ASSEMBLY INSTRUCTION

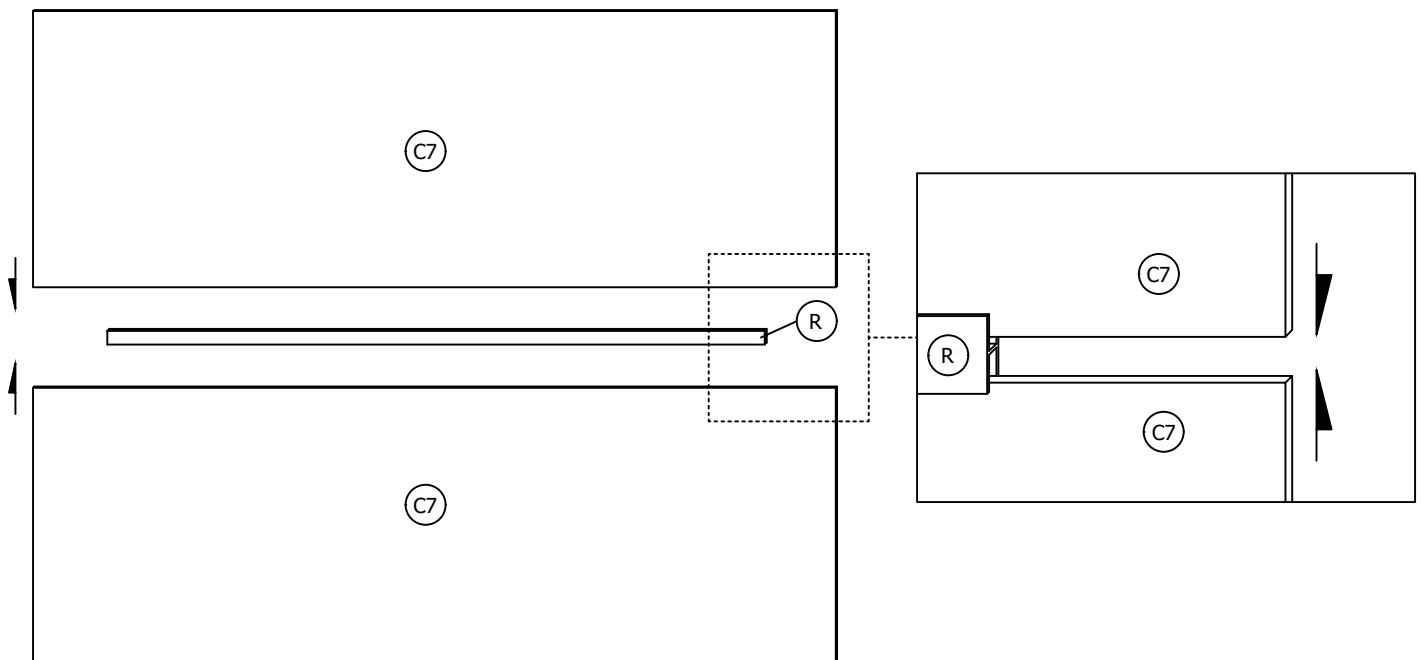
STEP 11

Combine the (C1) to the frame then tighten the remaining 10 pieces (A)-(pre-insert in step 1 to 3) as shown.



STEP 12

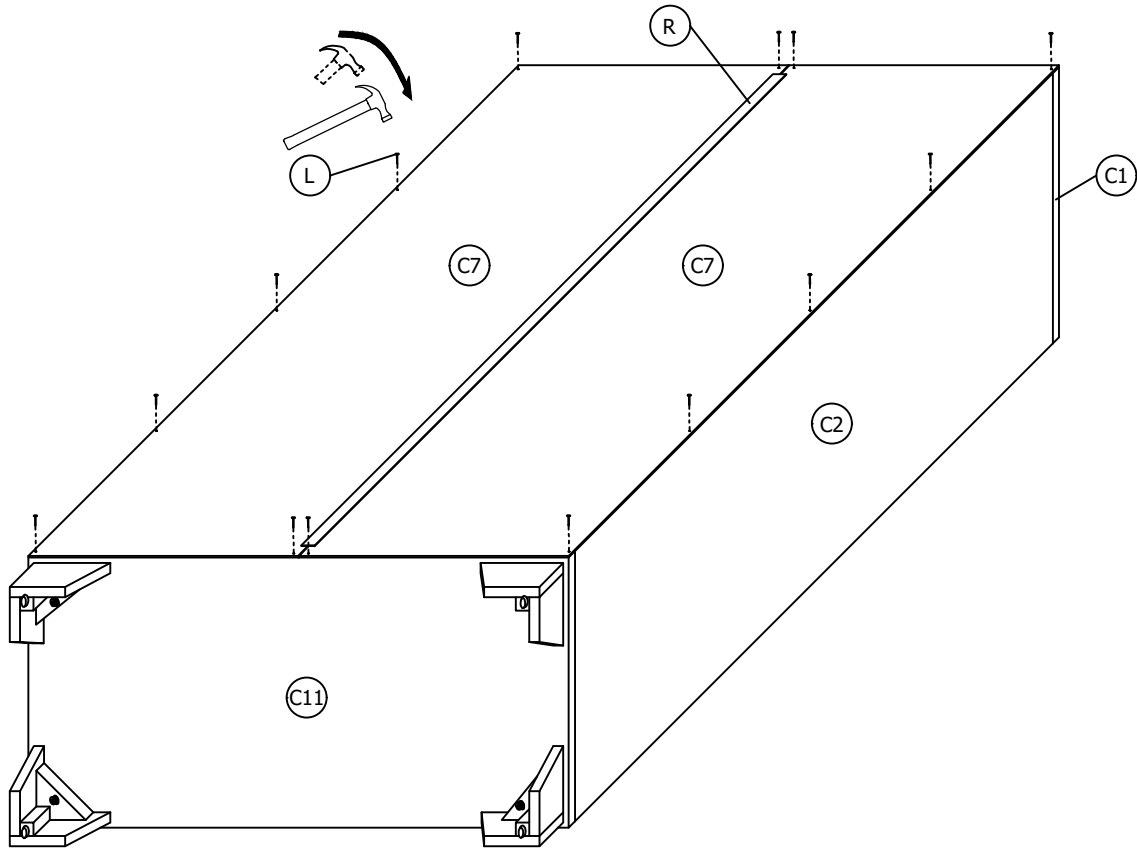
Put the (C7) to the gap of (R) as shown. Direction of the side with colored paper must be the same.



ASSEMBLY INSTRUCTION

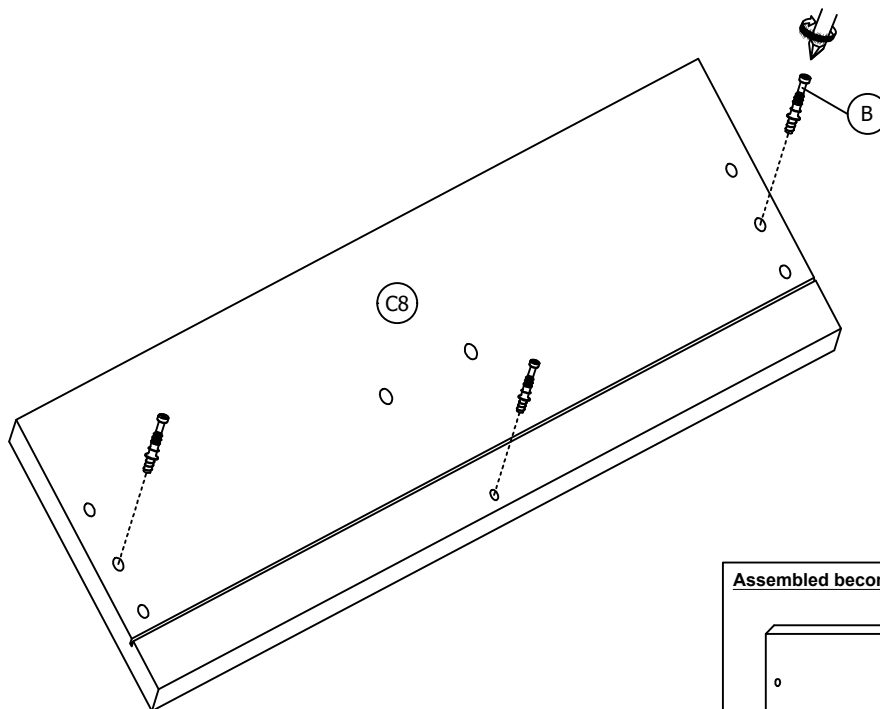
STEP 13

Insert the 14 pieces (L) to fix the (C7) as shown. Colored paper face to outside.
To prevent blocking (C1) and (C11), make sure the (R) at the middle of (C7), do not over high or lower.

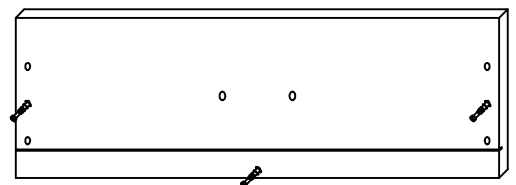


STEP 14

Insert 3 pieces (B) to the (C8) as shown. This step needs to be **done five times**.

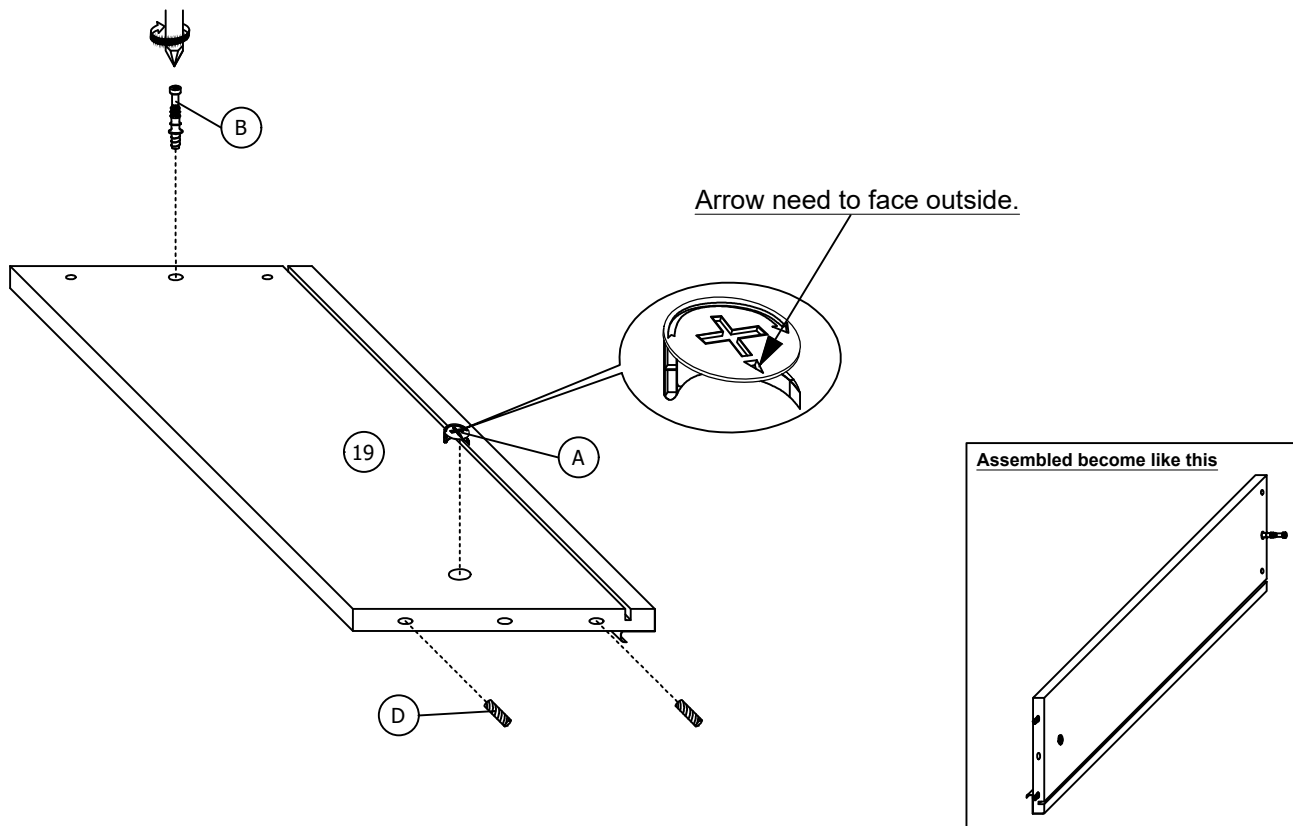


Assembled become like this



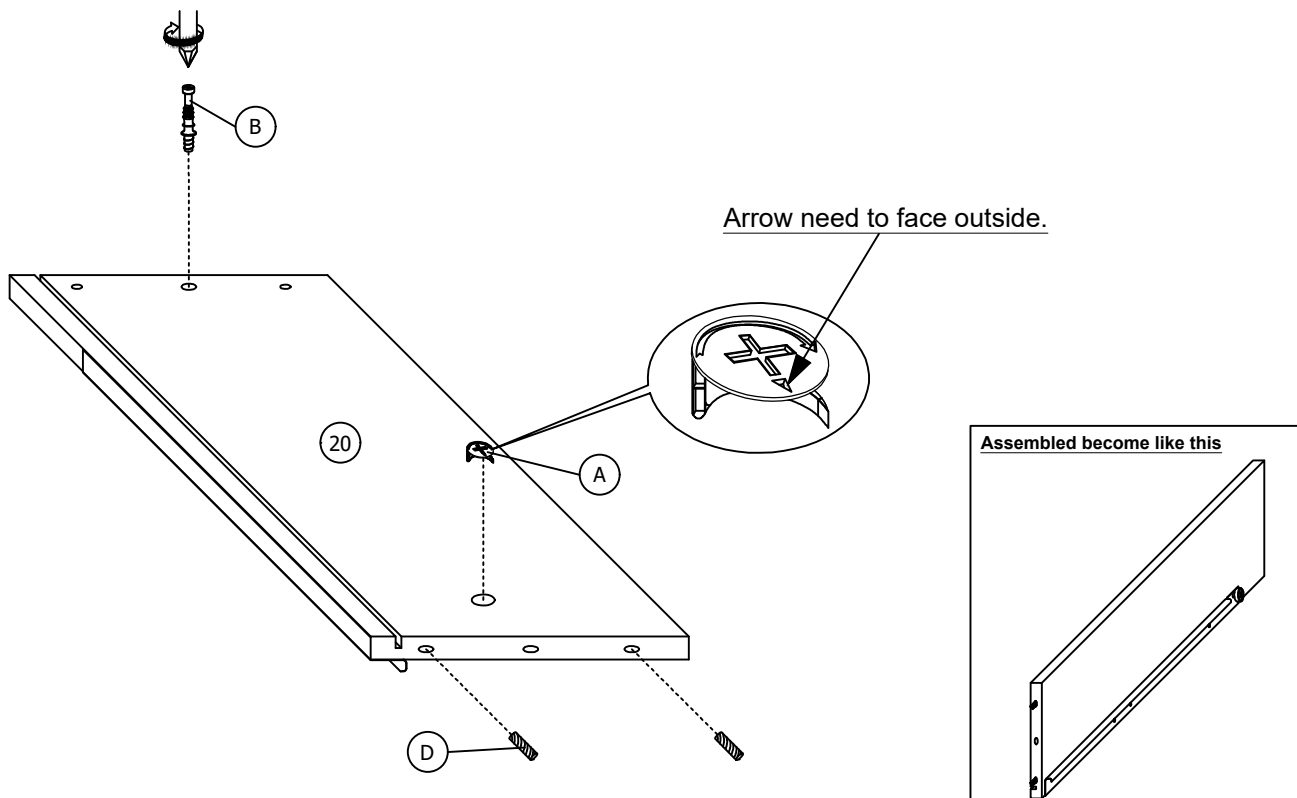
STEP 15

Insert 1 piece (A),(B) and 2 pieces (D) to (19) as shown. This step needs to be **done five times**.



STEP 16

Insert 1 piece (A),(B) and 2 pieces (D) to (20) as shown. This step needs to be **done five times**.

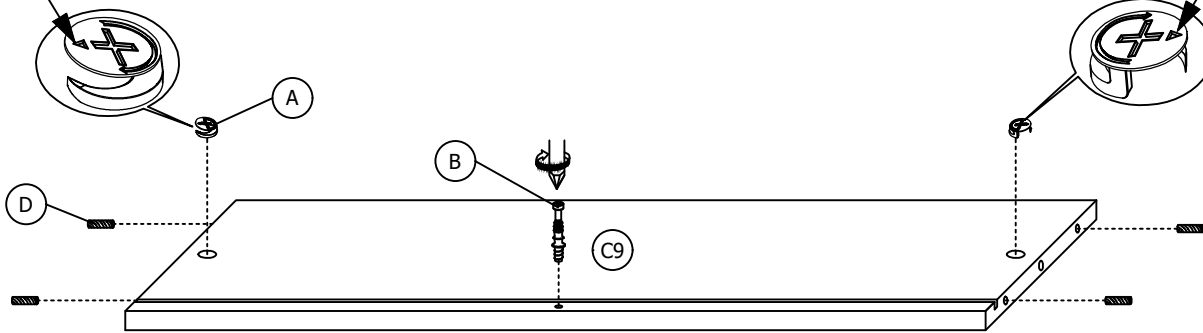


STEP 17

Insert 2 pieces (A) , 1 piece (B) and 4 pieces (D) to (C9) as shown. This step needs to be **done five times**.

Arrow need to face outside.

Arrow need to face outside.



Assembled become like this

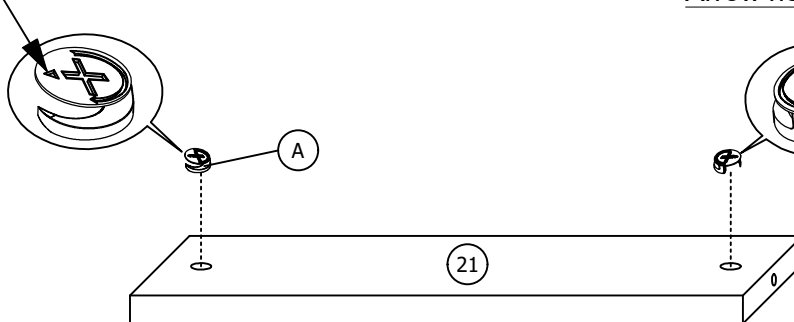


STEP 18

Insert 2 pieces (A) to (21) as shown. This step needs to be **done five times**.

Arrow need to face outside.

Arrow need to face outside.



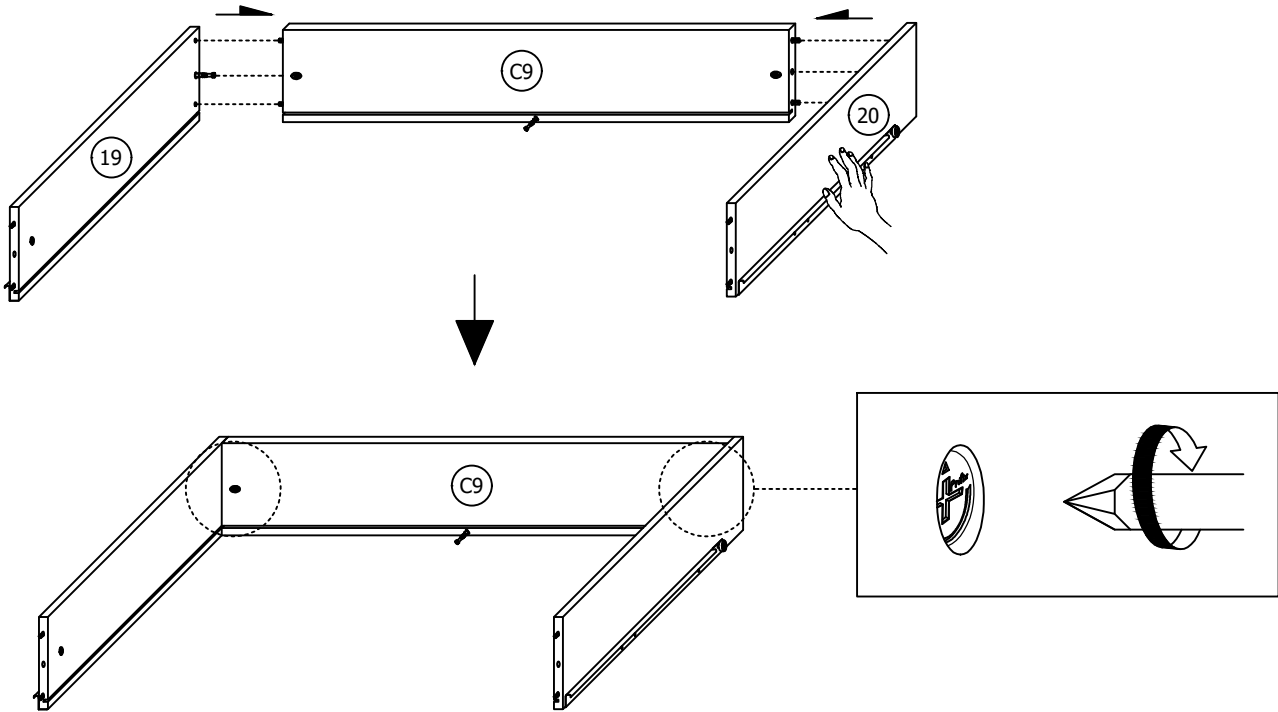
Assembled become like this



ASSEMBLY INSTRUCTION

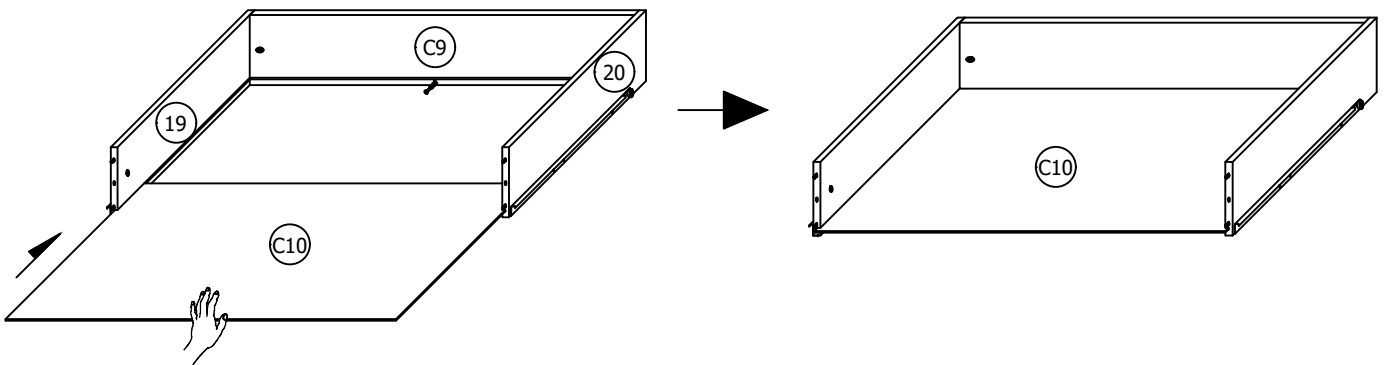
STEP 19

Combine the (19) and (20) to the (C9) . Then tighten the 2 pieces (A)-(pre-insert in step 17) as shown. This step needs to be **done five times**.



STEP 20

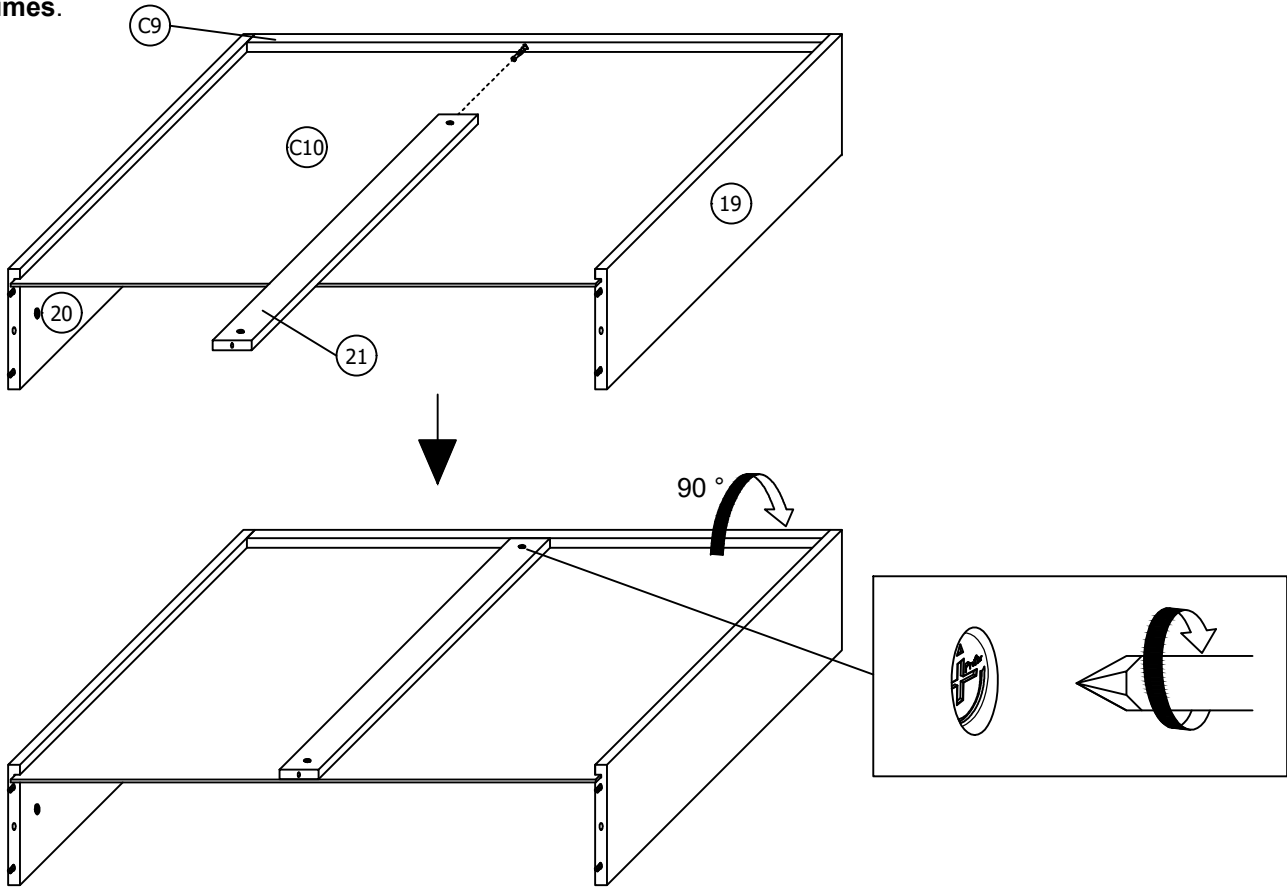
Put the (C10) into the gap of (19),(20) and (C9) as shown. This step needs to be **done five times**.



ASSEMBLY INSTRUCTION

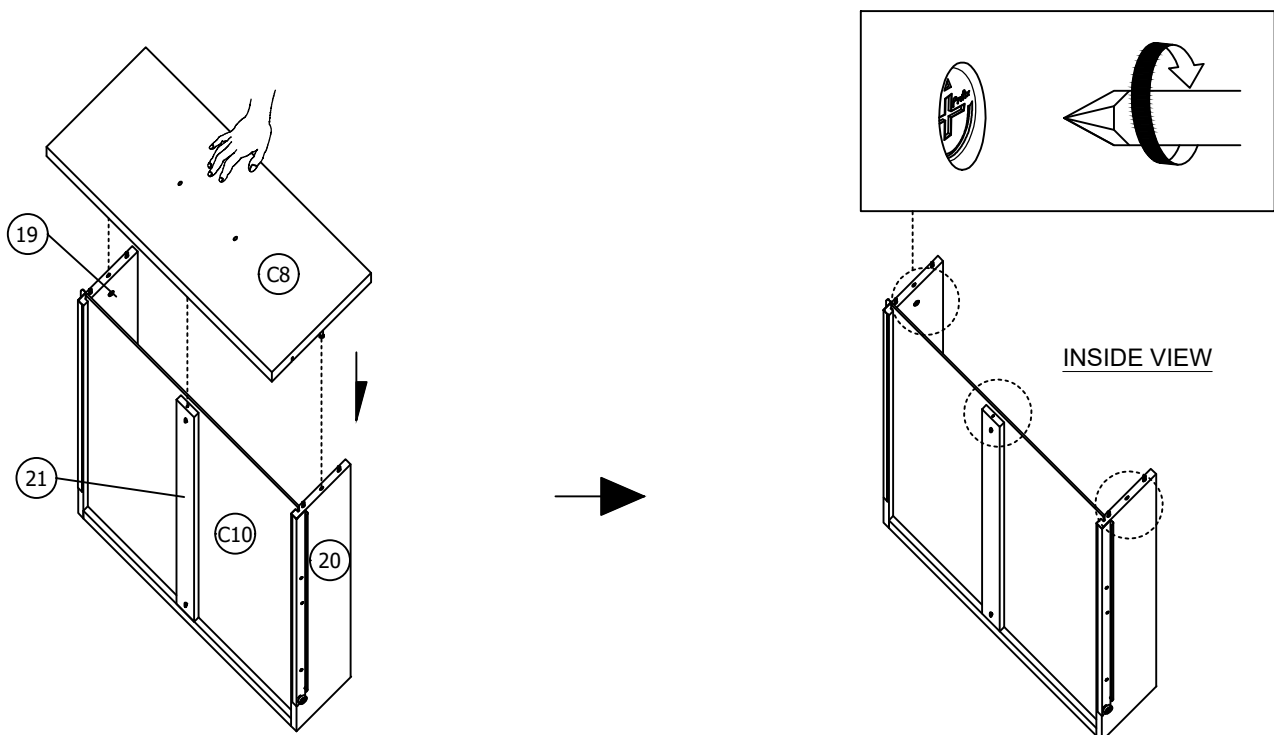
STEP 21

Combine the (21) to the (C9) then tighten the 1 piece (A)-(pre-insert in step 18) as shown. This step needs to be **done five times**.



STEP 22

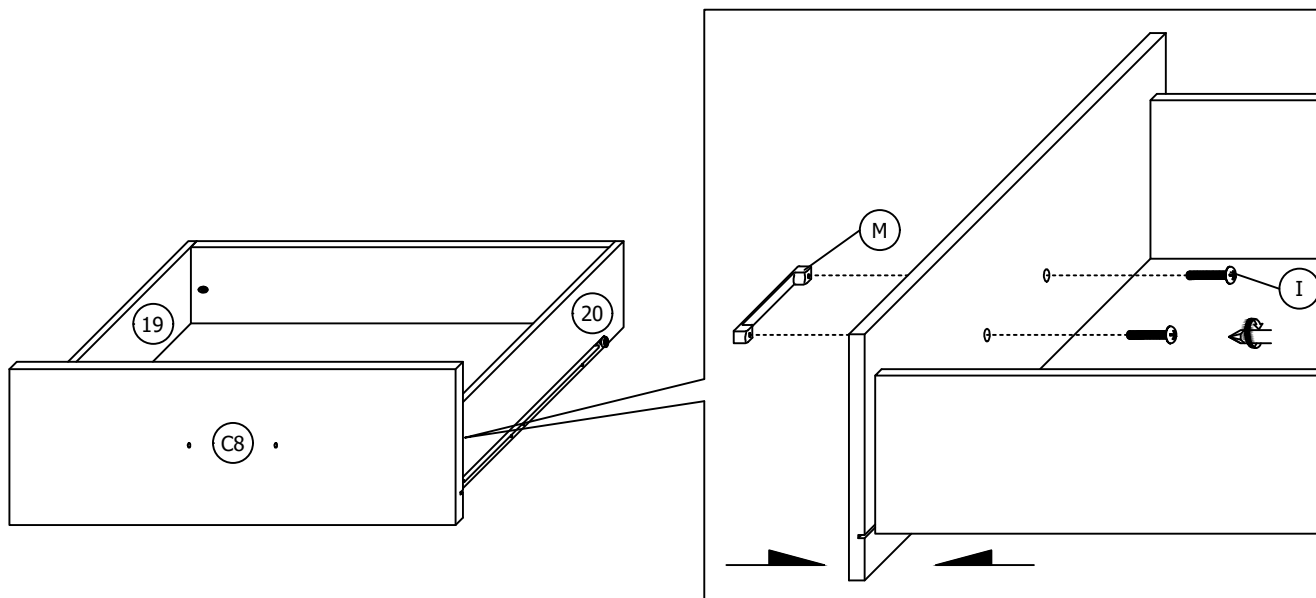
Combine the (C8) to the drawer frame. Then tighten the 3 pieces (A)-(pre-insert in step 15, 16 and 18) as shown. This step needs to be **done five times**.



ASSEMBLY INSTRUCTION

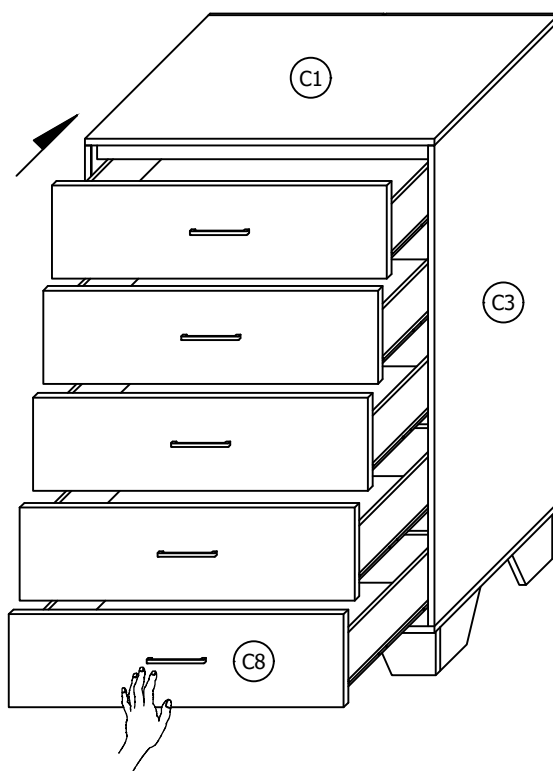
STEP 23

Insert 2 pieces (I) fix the (M) as shown. This step needs to be **done five times**.



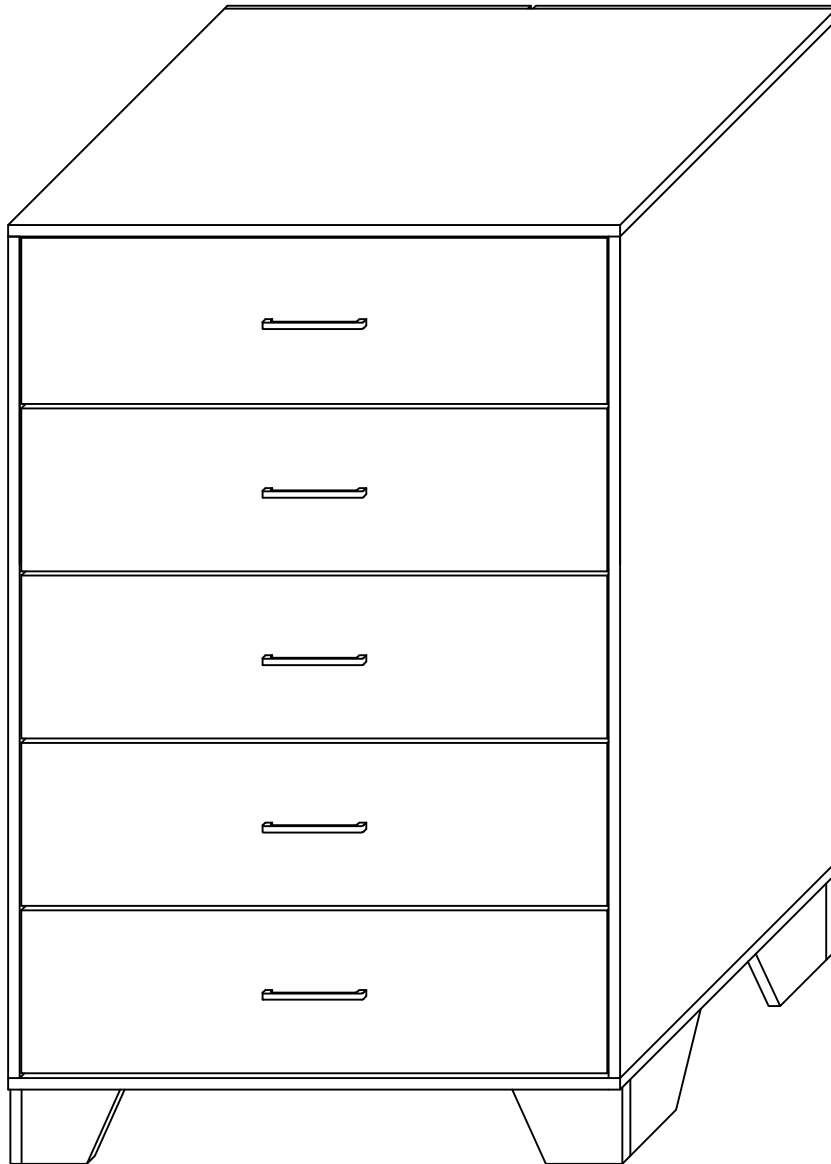
STEP 24

Align the position then push the 5 pieces drawer to inside exactly by your hand as shown.



ASSEMBLY INSTRUCTION

STEP 25



ASSEMBLY COMPLETED

WALL STUD

SAFETY BRACKET INSTRUCTIONS

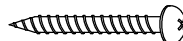
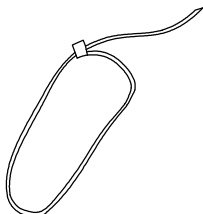
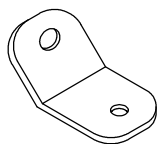
Part Enclosed :

A) Bracket

B) Safety Strap

C) 50mm Pan Head Screw

D) 17mm Pan Head Screw



2x

1x

1x

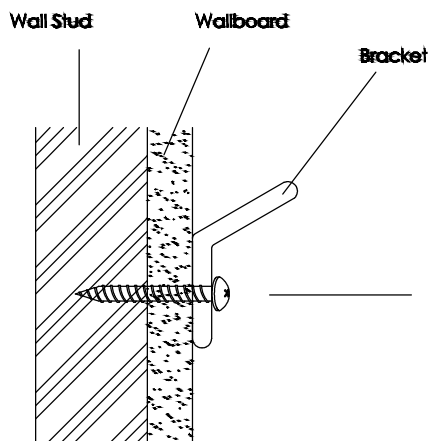
1x

IMPORTANT: Tipping can injure young children. Use of this safety hardware is highly recommended. This safety hardware, when properly installed, can provide furniture protection against unexpected accidental tipping of furniture due to improper use.

Step 1

Attach a bracket to the wall board with the 2" screw provided:

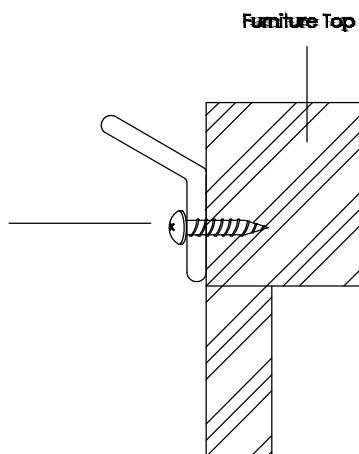
- . It is recommended that you locate a wall stud behind the furniture unit. If the wall stud is not used, a suitable "Hollow-Wall Anchor Bolt" (not provided) should be used in lieu of the wall stud.
- . Position the wall bracket on the stud about 1" below the top of furniture piece.
- . Mark the position for the bracket placement on the wall and drill a pilot hole into the stud.
- . Attach the bracket to the back of the furniture with the 2" screws provided.



Step 2

To attach a bracket to the Furniture Frame below to top with the short screws provided :

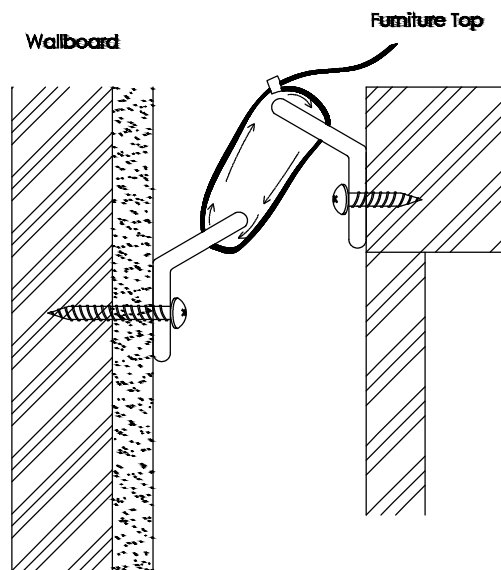
- . Move the furniture piece temporarily to its final position to the wall.
- . Mark the location of the bracket on the back of the furniture in relation to the previously mounted wall bracket.
- . Move the furniture piece away from the wall mounted bracket and place the other bracket on the mark position on the back of the furniture piece.
- . Drill a pilot hole as shown in the figure or into the back furniture frame.
- Caution:** Mark sure you do not drill completely through the back of the furniture.
- . Attach the bracket to the back of the furniture with the 5/8" screws provided.



Step 3

To Attach the safety strap:

- . Move the furniture back to its final position.
- . Thread the safety strap through both of the mounted brackets as shown in the illustration.
- . Tighten the strap unit snug.
- . Do not over tighten.



IMPORTANT: Make sure the brackets are firmly attached to the wall stud and furniture frame and the safety strap is snug.

Warning: This product is not be a substitute for proper parental supervision which is the only proper deterrent to prevent improper use of this unit. The manufacturer assumes no liability for improper installation or excessive loads placed on the safety straps, bracket or mounting screws. This hardware will not insure against tipping.

Note: For taller or heavier pieces of furniture, two safety brackets may be installed.

This sticker was stucked at one of the DRAWER LEFT PANEL(19).



Place the drawer which stucked a warning label in the top as shown.

