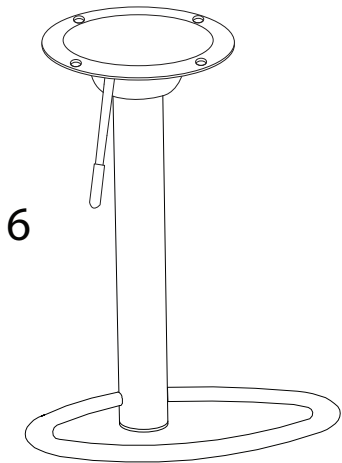
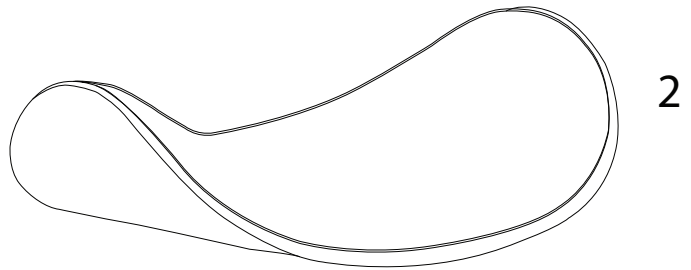
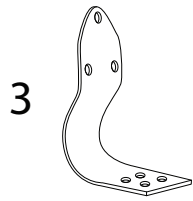
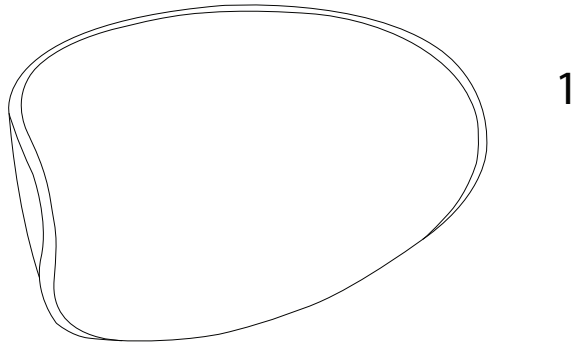
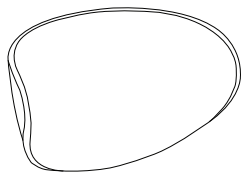


		30'
		1

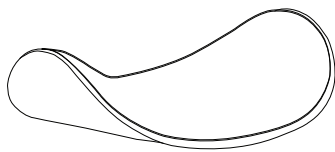


1



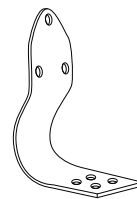
x 1

2



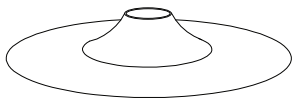
x 1

3



x 1

4



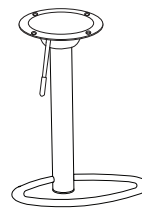
x 1

5



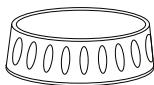
x 1

6



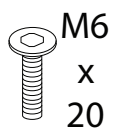
x 1

7



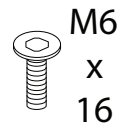
x 1

8



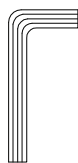
x 7

9



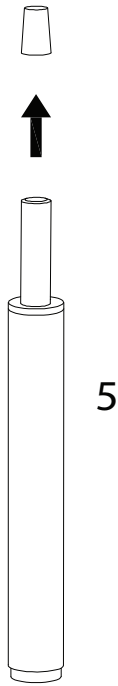
x 4

10

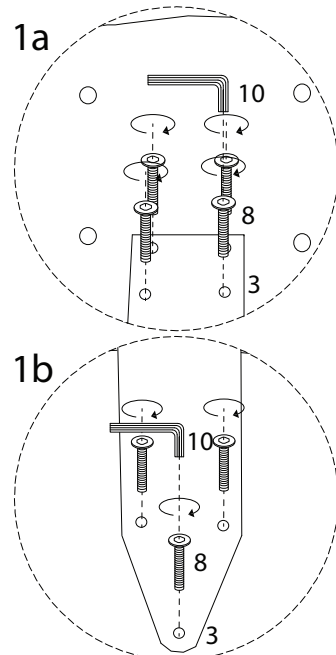
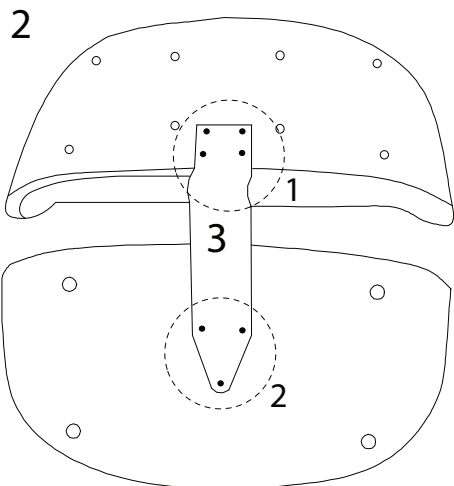
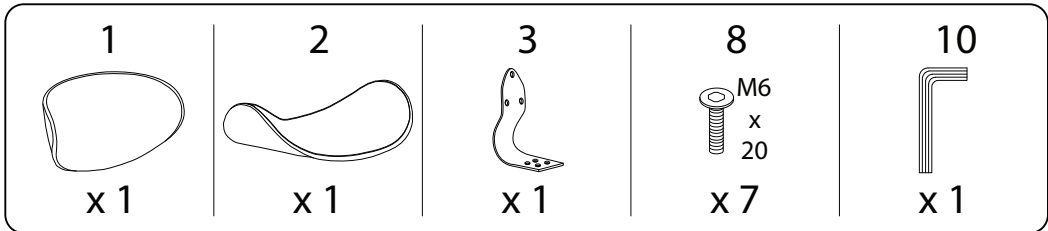


x 1

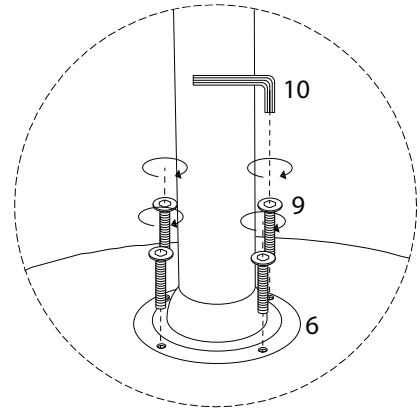
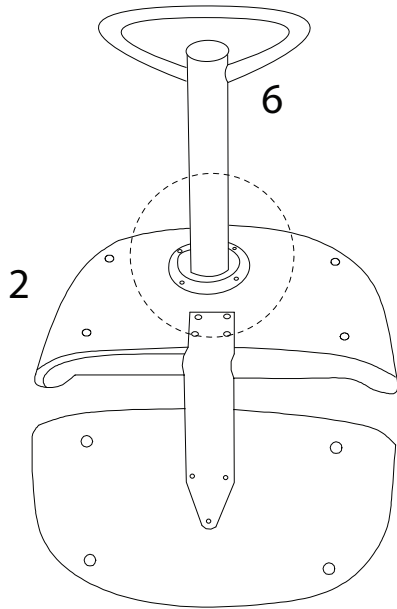
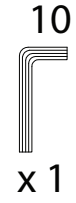
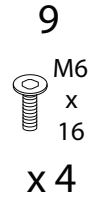
!



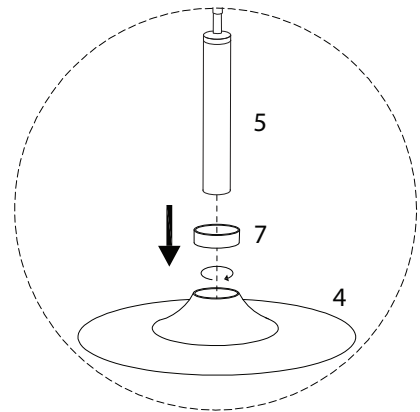
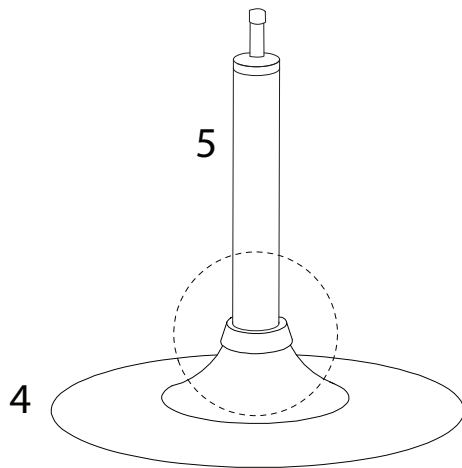
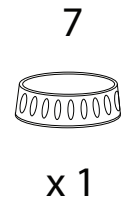
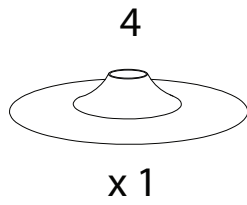
1



2



3



4

