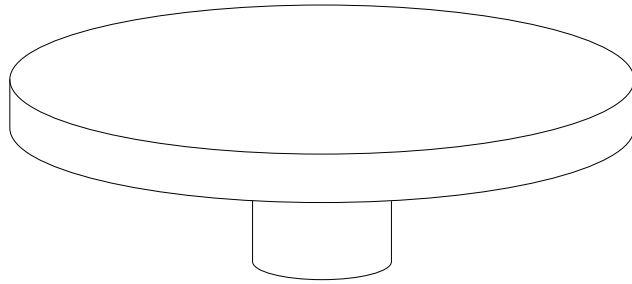


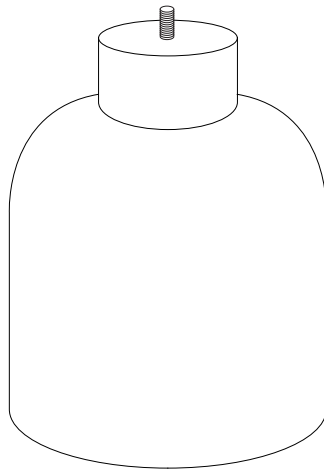
Diagram illustrating safety instructions for the table assembly:

- Top Section:** A box containing a crossed-out power drill icon and a warning triangle. To the right is a clock icon with the text **10'** below it, indicating a 10-minute assembly time.
- Bottom Section:** A box containing two diagrams of a table leg being attached to a base. The left diagram shows the leg being inserted into a pre-drilled hole in the base. The right diagram shows the leg being inserted into a hole that is not pre-drilled, with a crossed-out warning triangle. To the right is a person icon with the text **2** below it, indicating that two people are required for assembly.

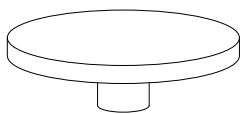
1



2

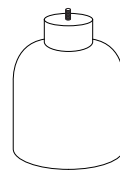


1



x 1

2



x 1

1

1



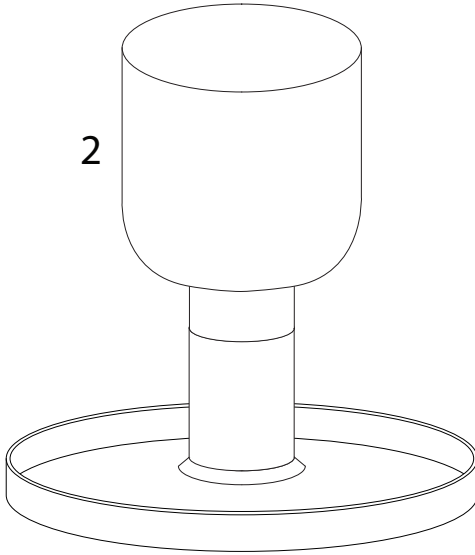
x 1

2



x 1

2



1

