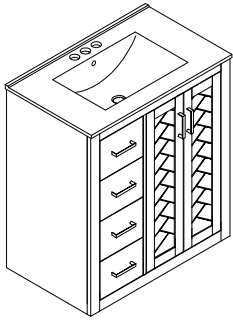


ASSEMBLY INSTRUCTIONS

Thank you for purchasing this quality Product. Be sure to check all packing material carefully for small parts, which may have come loose inside carton during shipment. Identify and count all parts and compare with the parts list below.




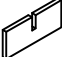

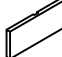

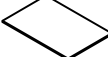

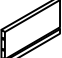










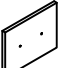

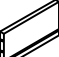





ASSEMBLY INSTRUCTION:

1. Remove hardware from box and sort by size.
2. Please check to see that all hardware and parts are present prior start of assembly.
3. Please follow attached instruction in the same sequence as numbered above for fast and easy assembly.

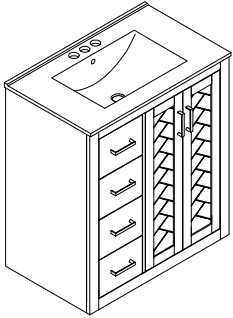
WARNING!

1. Do not attempt to repair or modify parts that are broken or defective. Please contact the store immediately.
2. This product is for home use only and not intended for commercial establishments.
3. Two persons are required for assembly.
4. Approximate assembly time 1/2 hours.
5. Component parts and fittings contained in the box. Please sort out all parts before you begin to assemble the item. This is to make sure you always use the correct part.
6. It is **STRONGLY RECOMMENDED** that you **ANCHOR** this product to your furniture. Tipping furniture can cause serious injuries and death. To prevent your furniture from tipping forward it is strongly recommended that you securely attach this product to a wall or other solid surface, using the anchor straps provided appropriate fixings.

No.	Component	Q'ty	No.	Component	Q'ty
1	 Side Panel-Left	1	15	 Drawer divider Panel (A)	1
2	 Side Panel-Right	1	16	 Drawer divider Panel (B)	1
3	 Middle Panel	1	17	 Drawer divider Panel (C)	1
4	 Front Rail - Above	1	18	 Bottom Drawer Panel	3
5	 Back Panel - Up	1	19	 Back Drawer Panel Middle	1
6	 Back Panel - Low	1	20	 Sides Drawer Panel Middle(L)	1
7	 Bottom Panel	1	21	 Sides Drawer Panel Middle(R)	1
8	 Door Left	1	22	 Front Drawer Panel Low	1
9	 Door Right	1	23	 Back Drawer Panel Low	1
10	 Shelf	1	24	 Sides Drawer Panel Low (L)	1
11	 Front Drawer Panel Up	2	25	 Sides Drawer Panel Low (R)	1
12	 Back Drawer Panel Up	1	26	 Sink	1
13	 Sides Drawer Panel Up (L)	1			
14	 Sides Drawer Panel Up (R)	1			

ASSEMBLY INSTRUCTIONS

Thank you for purchasing this quality Product. Be sure to check all packing material carefully for small parts, which may have come loose inside carton during shipment. Identify and count all parts and compare with the parts list below.





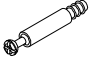


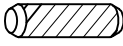




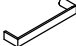
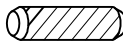



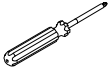



ASSEMBLY INSTRUCTION:

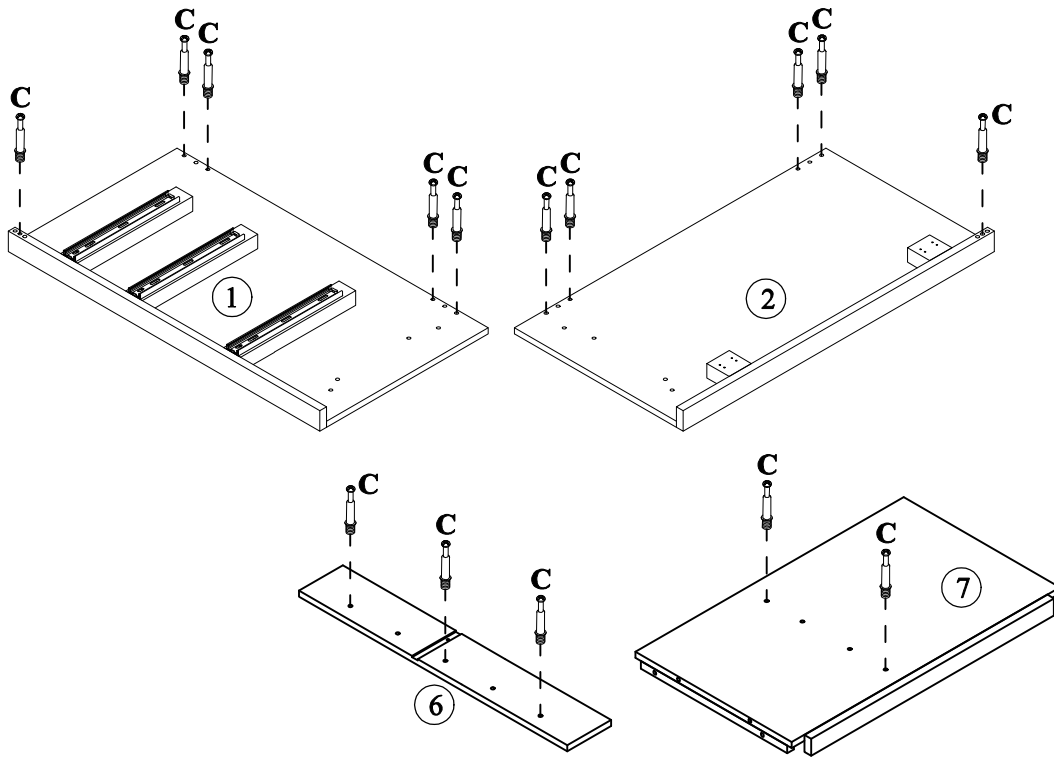
1. Remove hardware from box and sort by size.
2. Please check to see that all hardware and parts are present prior start of assembly.
3. Please follow attached instruction in the same sequence as numbered above for fast and easy assembly.

WARNING!

1. Do not attempt to repair or modify parts that are broken or defective. Please contact the store immediately.
2. This product is for home use only and not intended for commercial establishments.
3. Two persons are required for assembly.
4. Approximate assembly time 1/2 hours.
5. Component parts and fittings contained in the box. Please sort out all parts before you begin to assemble the item. This is to make sure you always use the correct part.
6. It is **STRONGLY RECOMMENDED** that you **ANCHOR** this product. Tipping furniture can cause serious injuries and death. To prevent your furniture from tipping forward it is strongly recommended that you securely attach this product to a wall or other solid surface, using the anchor straps provided appropriate fixings.

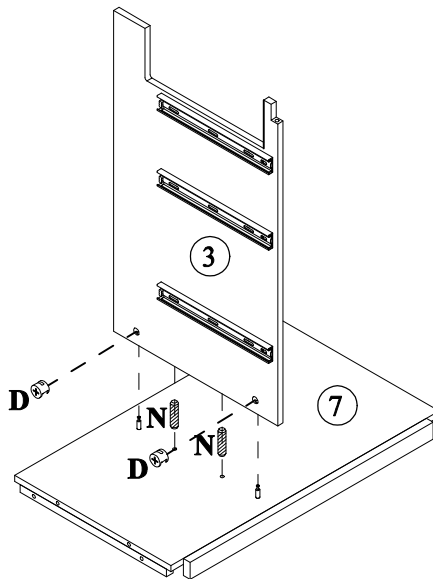
No.	Hardware	Q'ty	No.	Hardware	Q'ty
A	 Allen Bolts 1/4" x 28	4	K	 Screws $\varnothing 7 \times \varnothing 3.5 \times 15 \text{mm}$	24
B	 Flat Washers 1/4" x 16 x 1	4	L	 L-Bracket	1
C	 Cam Lock Screws	15	M	 Screws $\varnothing 7 \times \varnothing 3.5 \times 12 \text{mm}$	6
D	 Cam Lock	15	N	 Wooden $\varnothing 8 \times 30 \text{mm}$	17
E	 Screws $\varnothing 8 \times \varnothing 4 \times 25 \text{mm}$	2	O	 Allen key	1
F	 Screws $\varnothing 8 \times \varnothing 4 \times 32 \text{mm}$	24	P	 Anti fall hardware (sets)	1
G	 Handle	6	Q	 Wooden $\varnothing 6 \times 30 \text{mm}$	16
H	 Screws $\varnothing 5/32" \times 20 \text{mm}$	4	R	 Shelf Support	4
I	 Screws $\varnothing 5/32" \times 25 \text{mm}$	8	 Not Included		
J	 Hinges	4			

Step 1



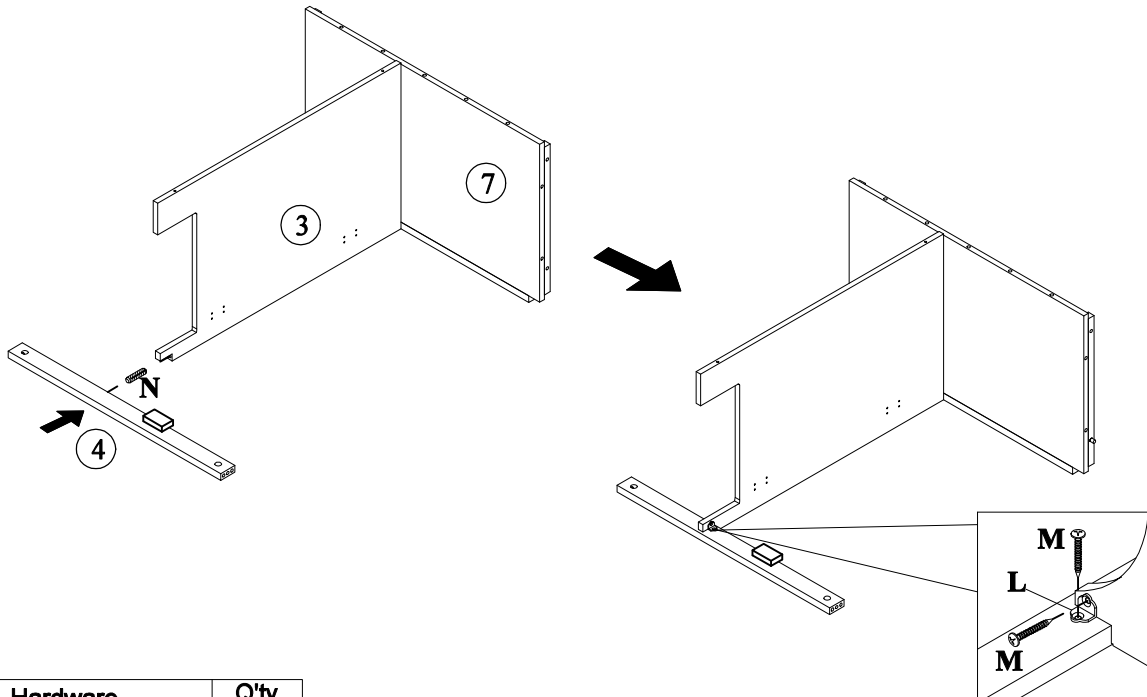
No	Hardware	Q'ty
C	Cam Lock Screws	15

Step 2



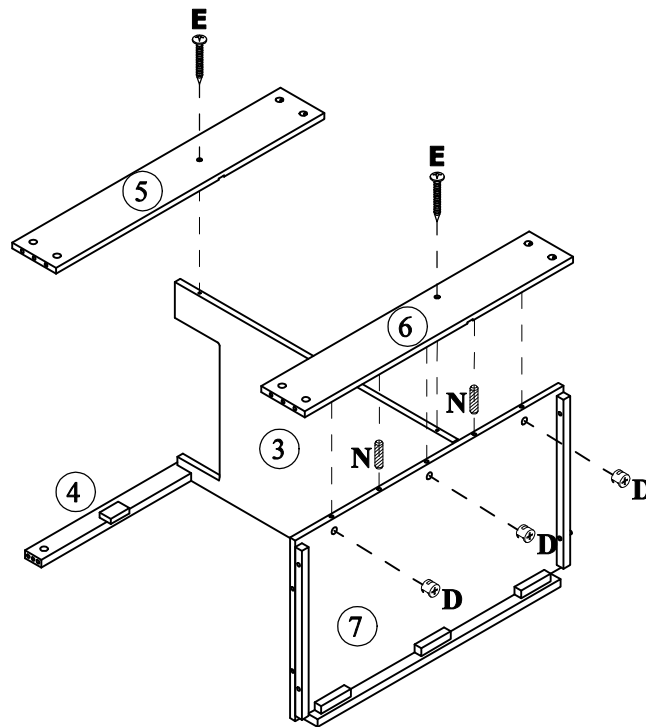
No	Hardware	Q'ty
D	Cam Lock	2
N	Wooden ø8x30mm	2

Step 3



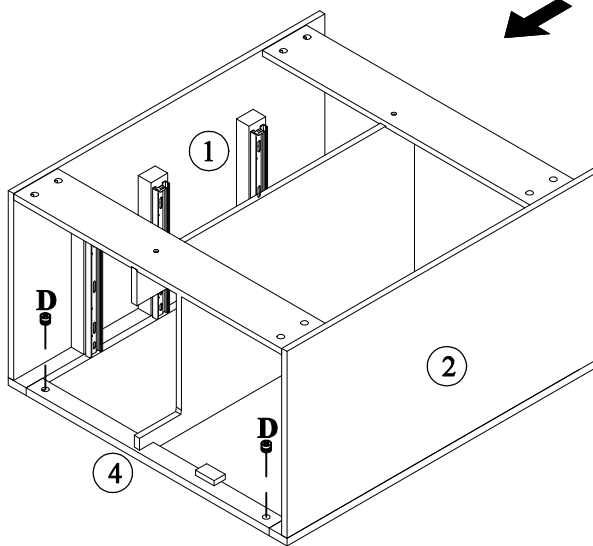
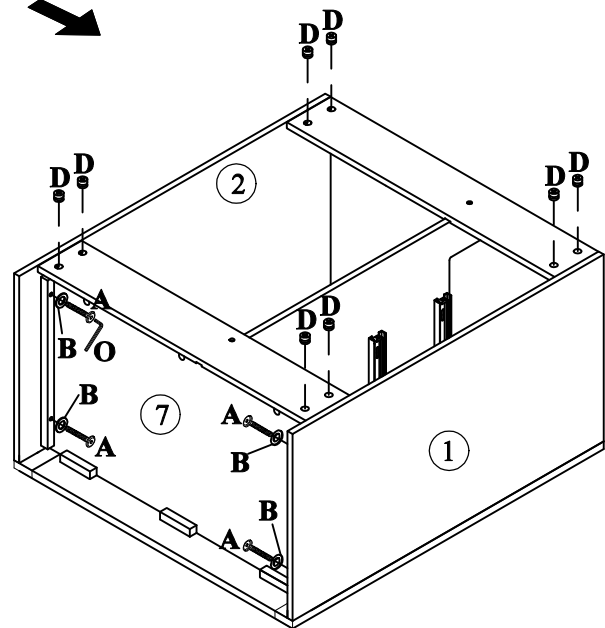
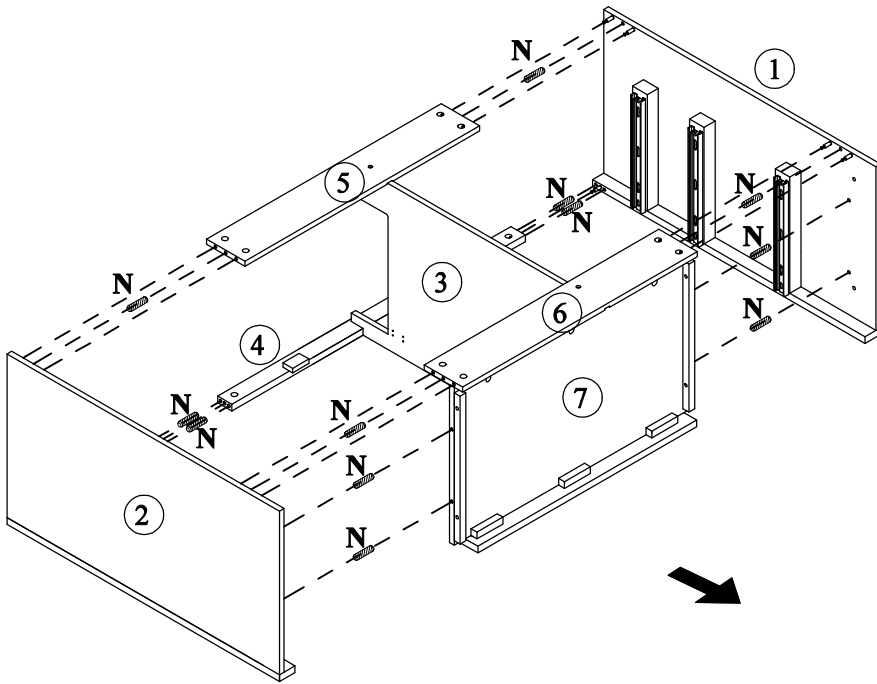
No	Hardware	Q'ty
L	L-Bracket	1
M	Screws $\phi 7 \times \phi 3.5 \times 12 \text{mm}$	2
N	Wooden $\phi 8 \times 30 \text{mm}$	1

Step 4



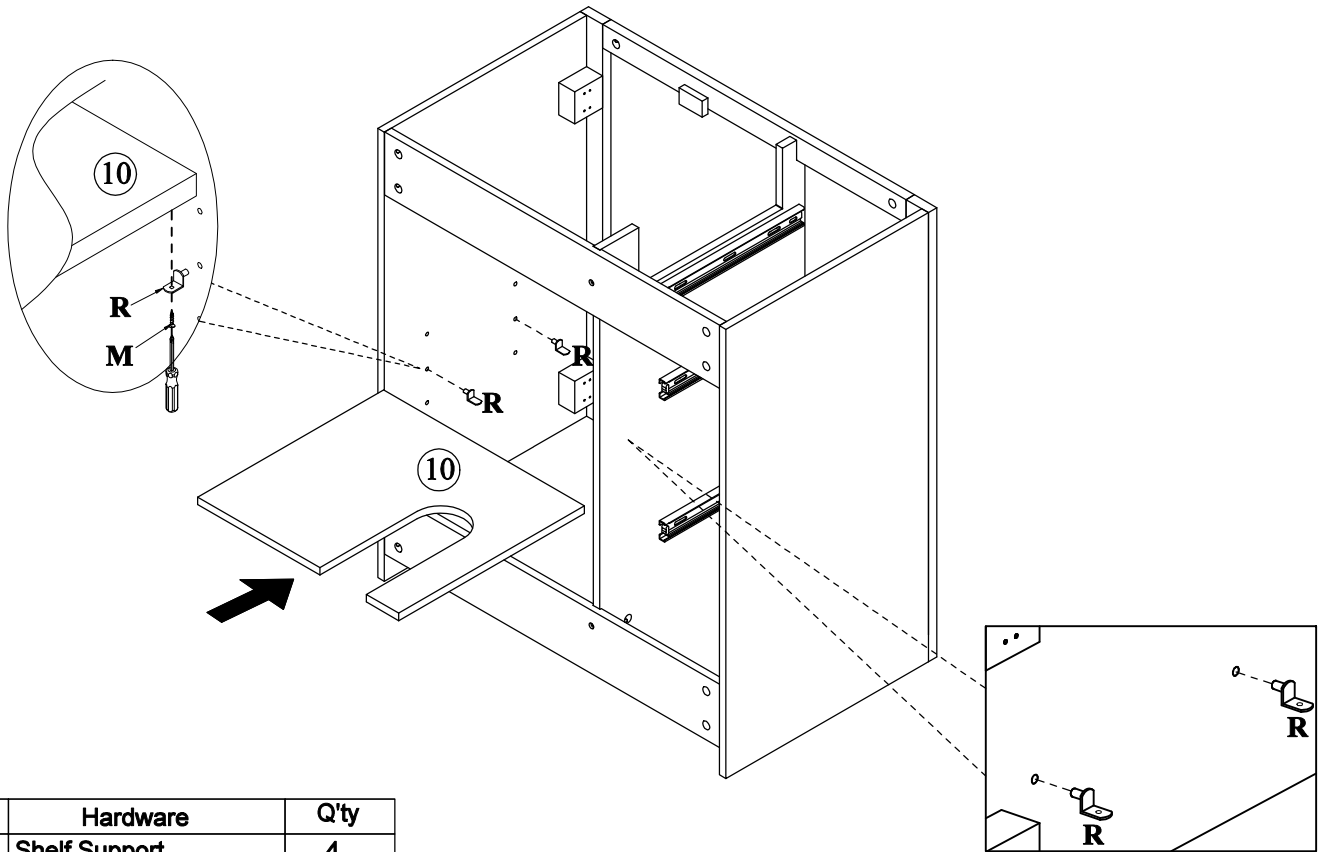
No	Hardware	Q'ty
D	Cam Lock	3
E	Screws $\phi 8 \times \phi 4 \times 25 \text{mm}$	2
N	Wooden $\phi 8 \times 30 \text{mm}$	2

Step 5



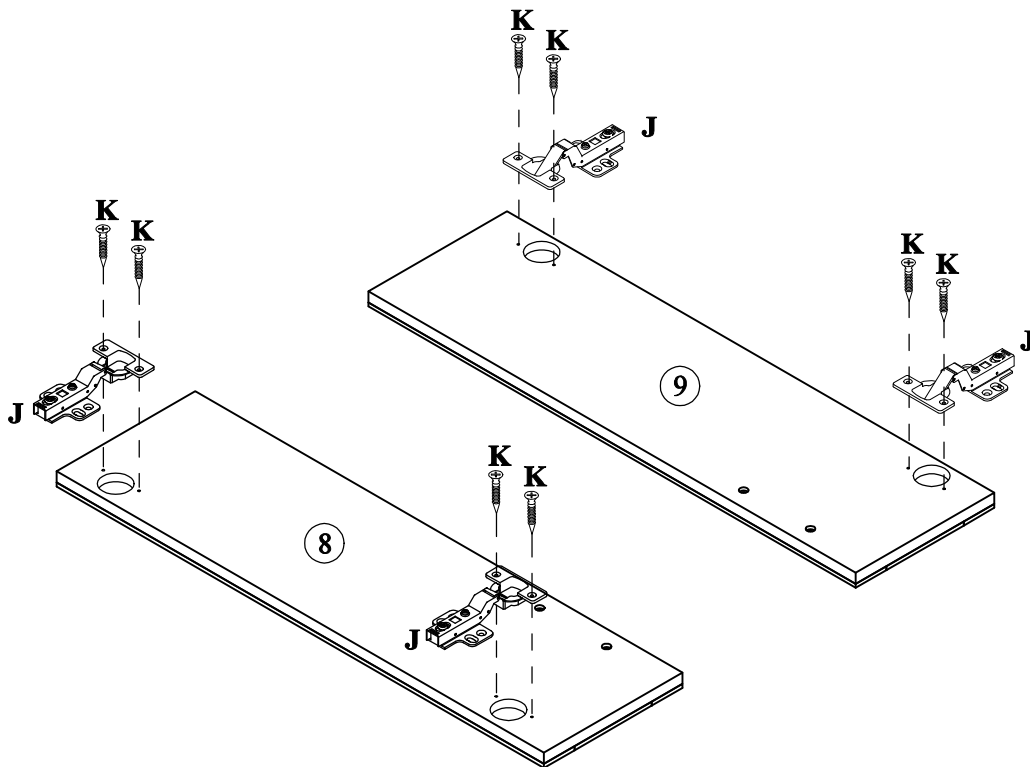
No	Hardware	Q'ty
D	Cam Lock	10
A	Allen Bolts 1/4" x 28	4
B	Flat Washers 1/4"x16x1	4
O	Allen key	1
N	Wooden ø8x30mm	12

Step 6



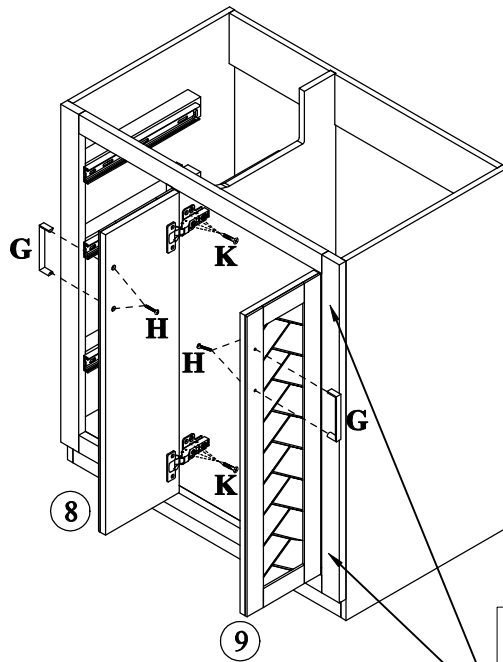
No	Hardware	Q'ty
R	Shelf Support	4
M	Screws $\phi 7 \times \phi 3.5 \times 12 \text{mm}$	4

Step 7



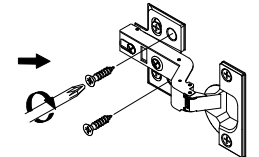
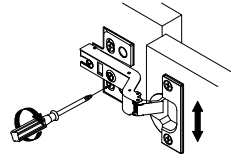
No	Hardware	Q'ty
J	Hinges	4
K	Screws $\phi 7 \times \phi 3.5 \times 15 \text{mm}$	8

Step 8



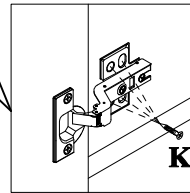
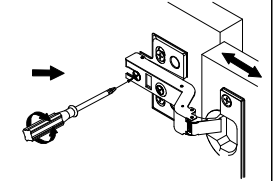
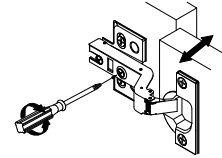
Use the screws to adjust up or down

Use the screws to permanent



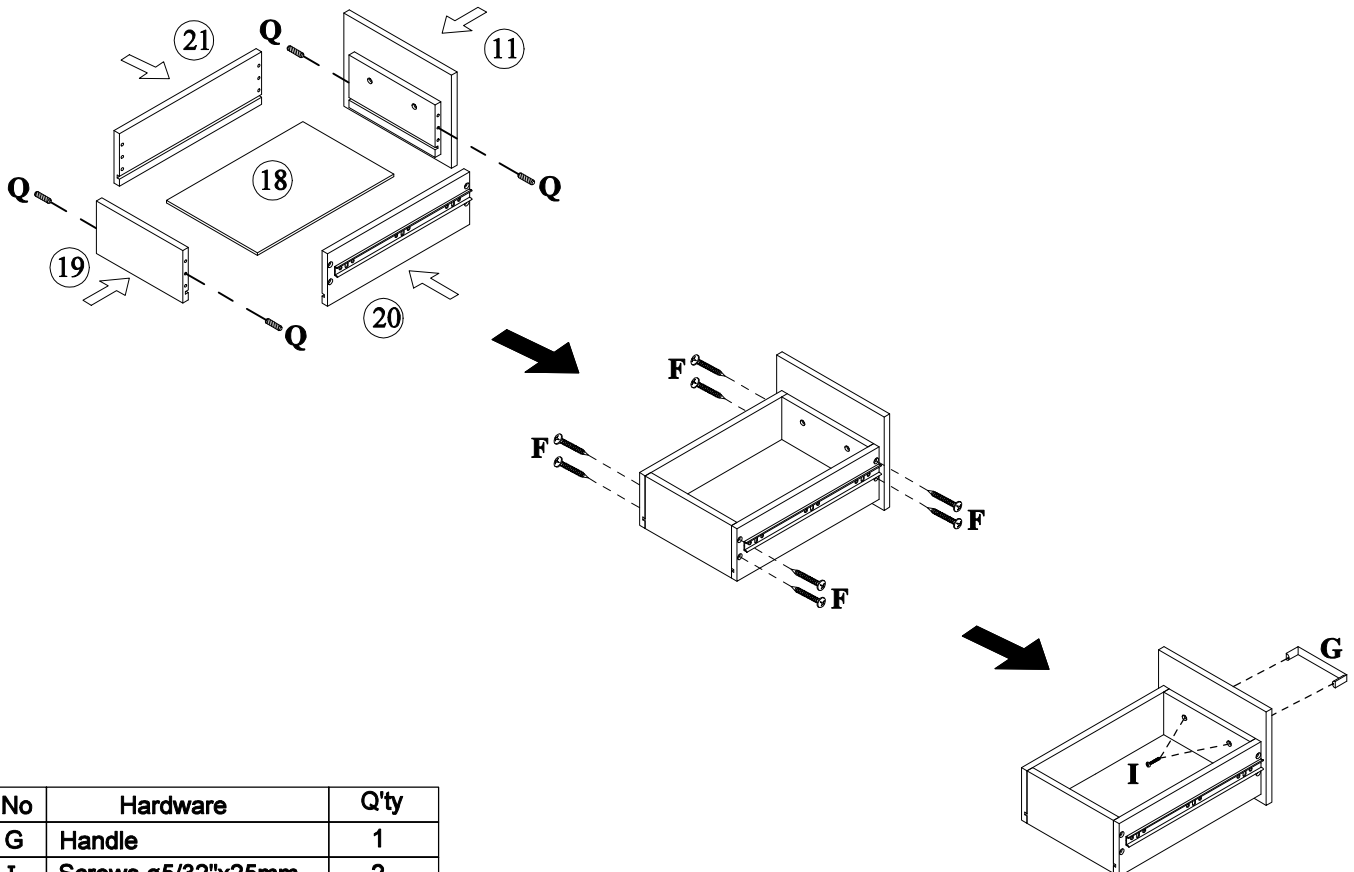
Use the screws to adjust left or right

Use the screws to adjust in or out



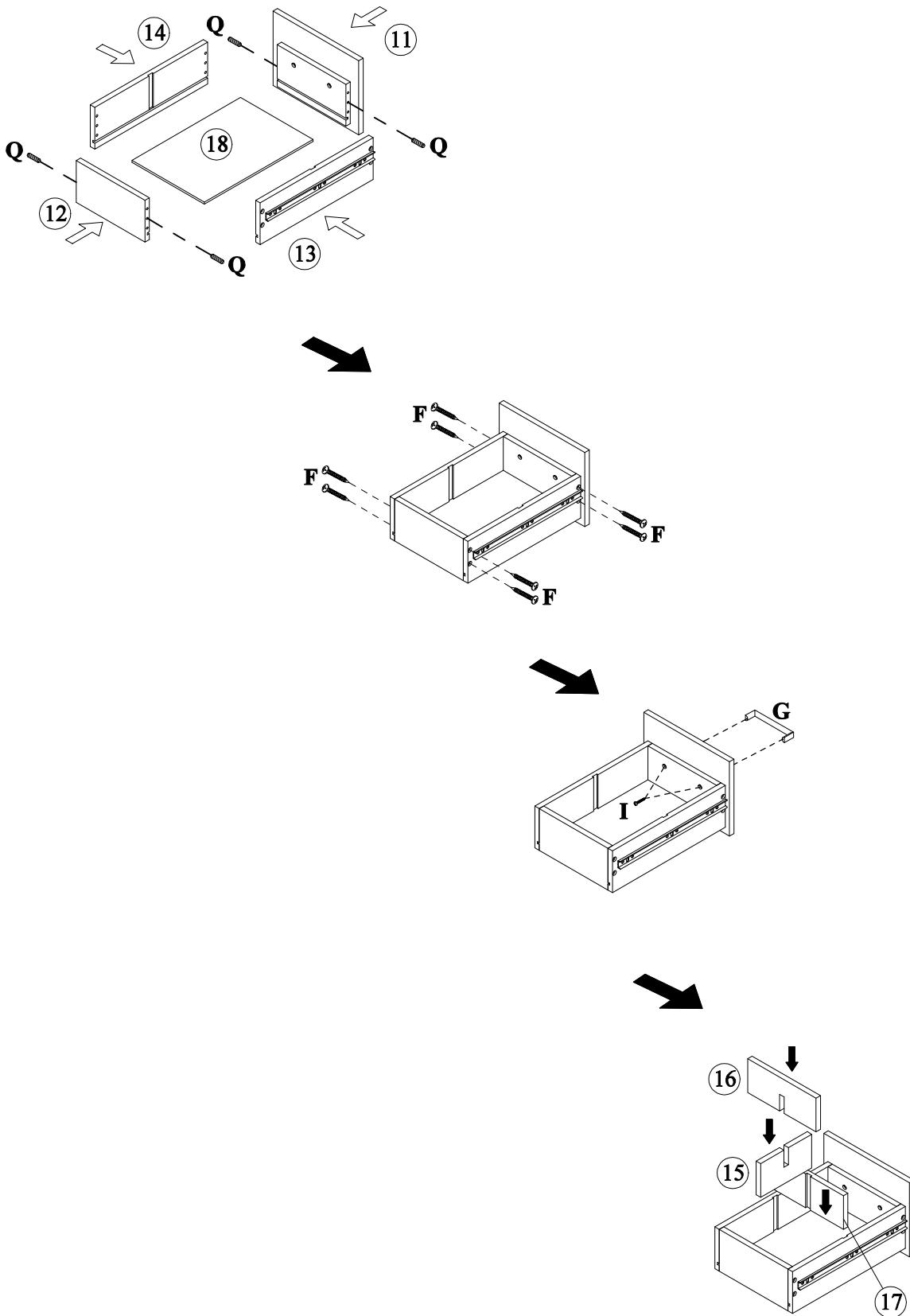
No	Hardware	Q'ty
H	Screws $\phi 5/32" \times 25\text{mm}$	2
G	Handle	4
K	Screws $\phi 7 \times \phi 3.5 \times 15\text{mm}$	16

Step 9



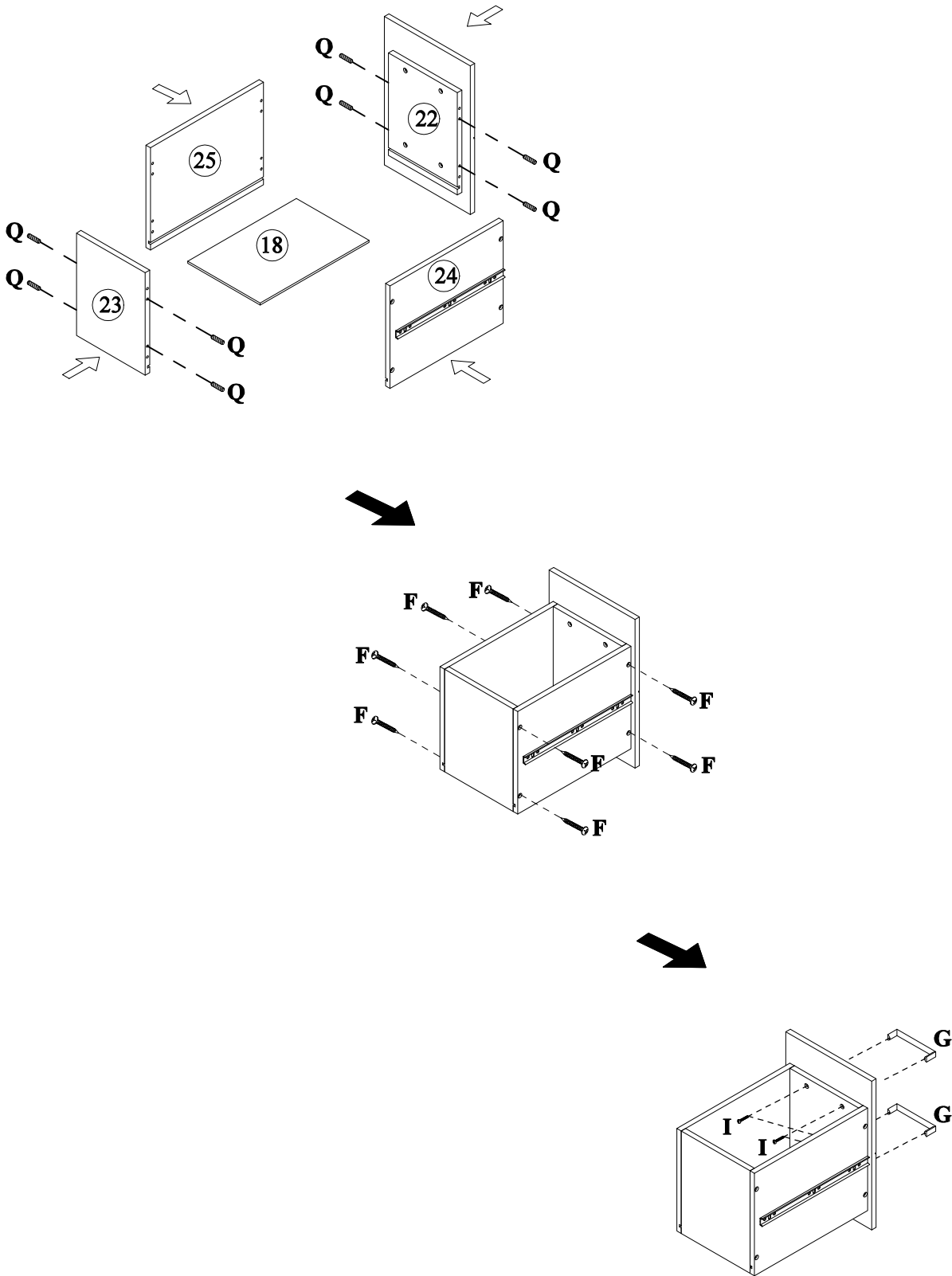
No	Hardware	Q'ty
G	Handle	1
I	Screws $\phi 5/32" \times 25\text{mm}$	2
Q	Wooden $\phi 6 \times 30\text{mm}$	4
F	Screws $\phi 8 \times \phi 4 \times 32\text{mm}$	8

Step 10



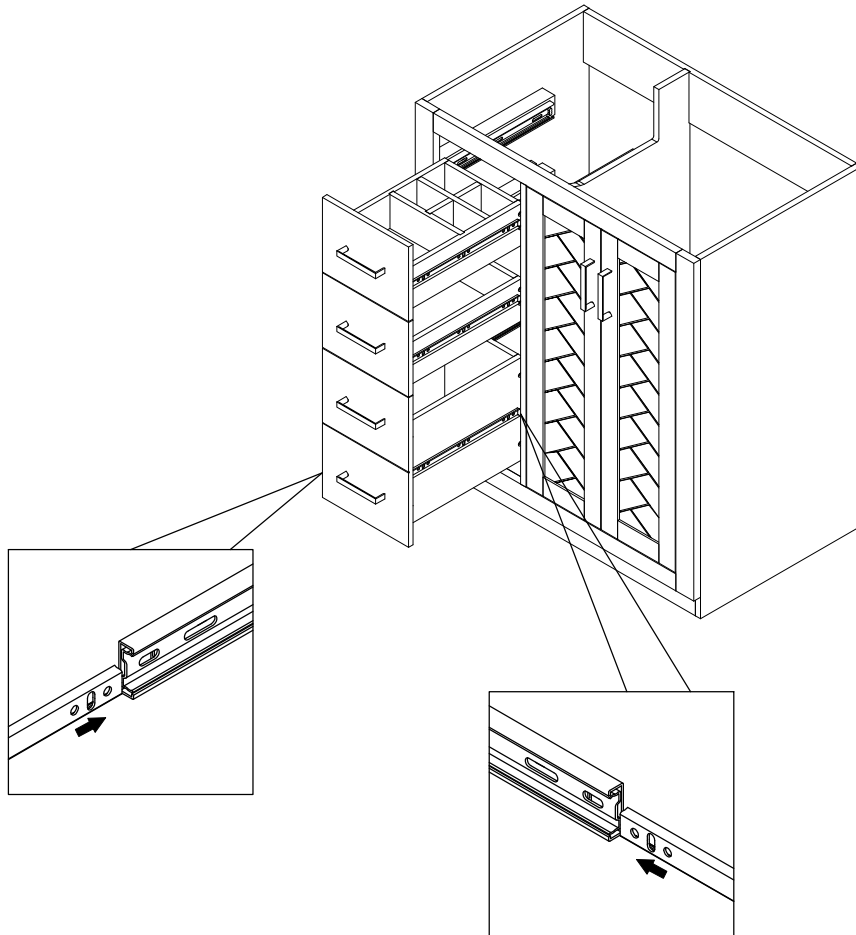
No	Hardware	Q'ty
G	Handle	1
I	Screws $\phi 5/32" \times 25\text{mm}$	2
Q	Wooden $\phi 6 \times 30\text{mm}$	4
F	Screws $\phi 8 \times \phi 4 \times 32\text{mm}$	8

Step 11

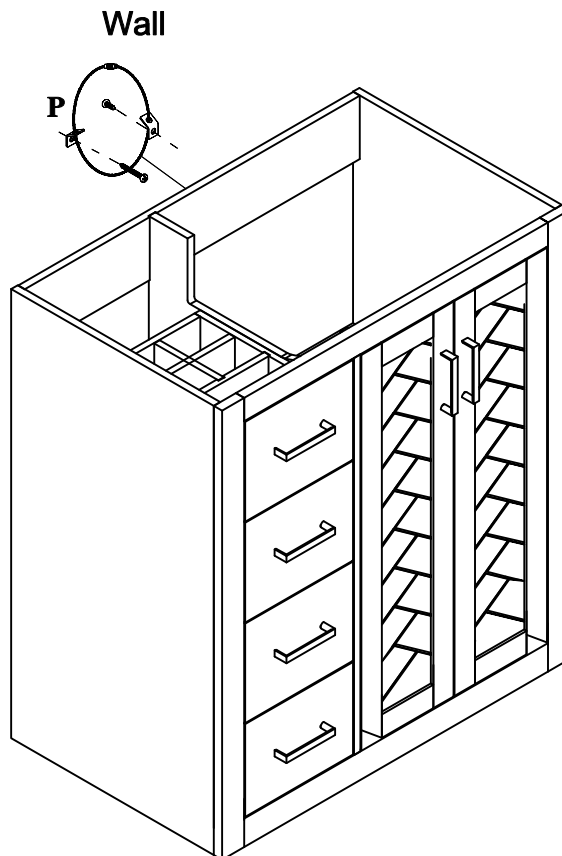


No	Hardware	Q'ty
G	Handle	2
I	Screws $\phi 5/32'' \times 25\text{mm}$	4
Q	Wooden $\phi 6 \times 30\text{mm}$	8
F	Screws $\phi 8 \times \phi 4 \times 32\text{mm}$	8

Step 12

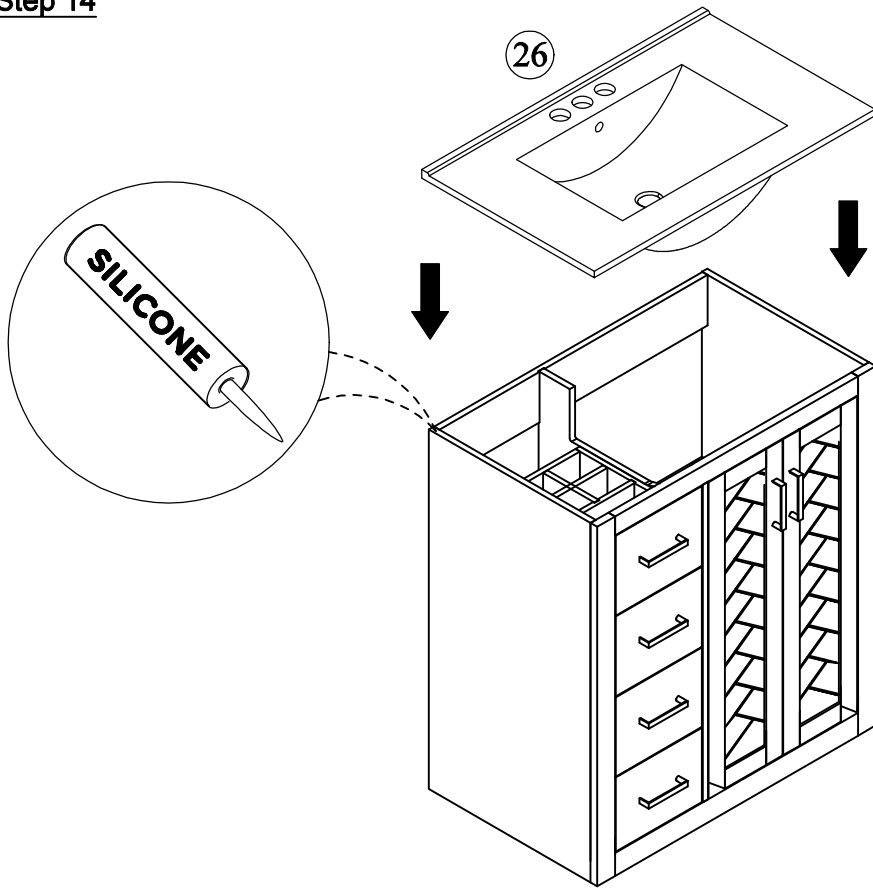


Step 13



No	Hardware	Q'ty
P	Anti fall hardware	1

Step 14



Step 15

