

TB-XY-7HTBSF-BLU- 251025-2

TB-XY-7YTBSF-DB- 251025-2

TB-XY-7HTBSF-KK- 251025-2

TB-XY-7MTBSF-KK- 251025-2

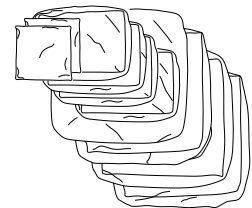
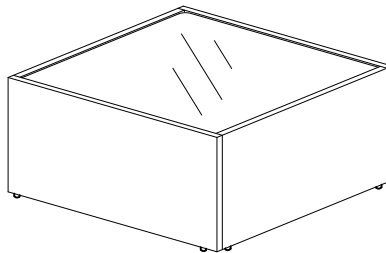
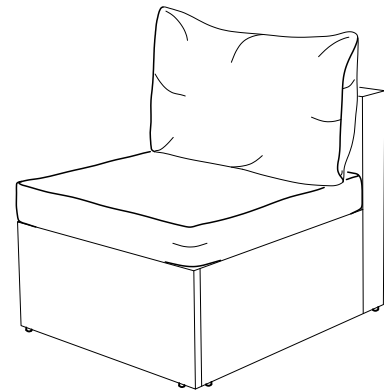
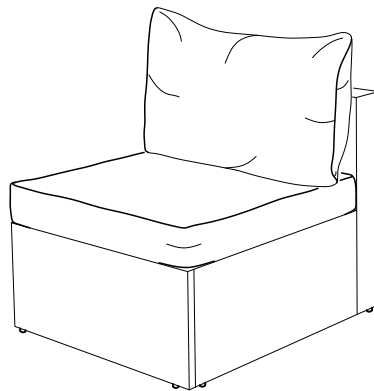
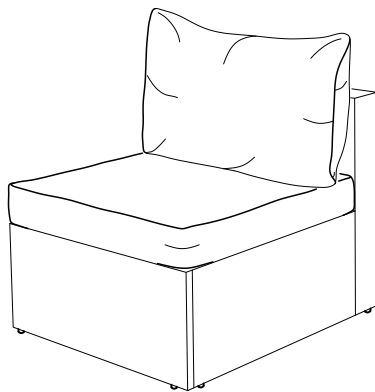
TB-XY-7HTBSF-DB- 251025-2

TB-XY-7MTBSF-DB- 251025-2

TB-XY-7YTBSF-BLU- 251025-2

TB-XY-7ZKTBSF-DG- 251025-2

TB-XY-7YTBSF-KK- 251025-2



Scan the QR Code for assembly guide!

Instruction Manual

Thank you for shopping with us!

If any parts is missing, broken upon receipt or you need any help from us.

For the FASTEST solutions, please FIRSTLY CONTACT US at our

after-sales email: **cssince1987@hotmail.com**!

We will respond within 24 hours.

Notes

Installation Precautions

- The compressed cushion liner package needs to be torn open and left to stand for 72 hours before inserting the cushion liner into the cloth cover.
- It is recommended that 2 people work together to assemble the product.

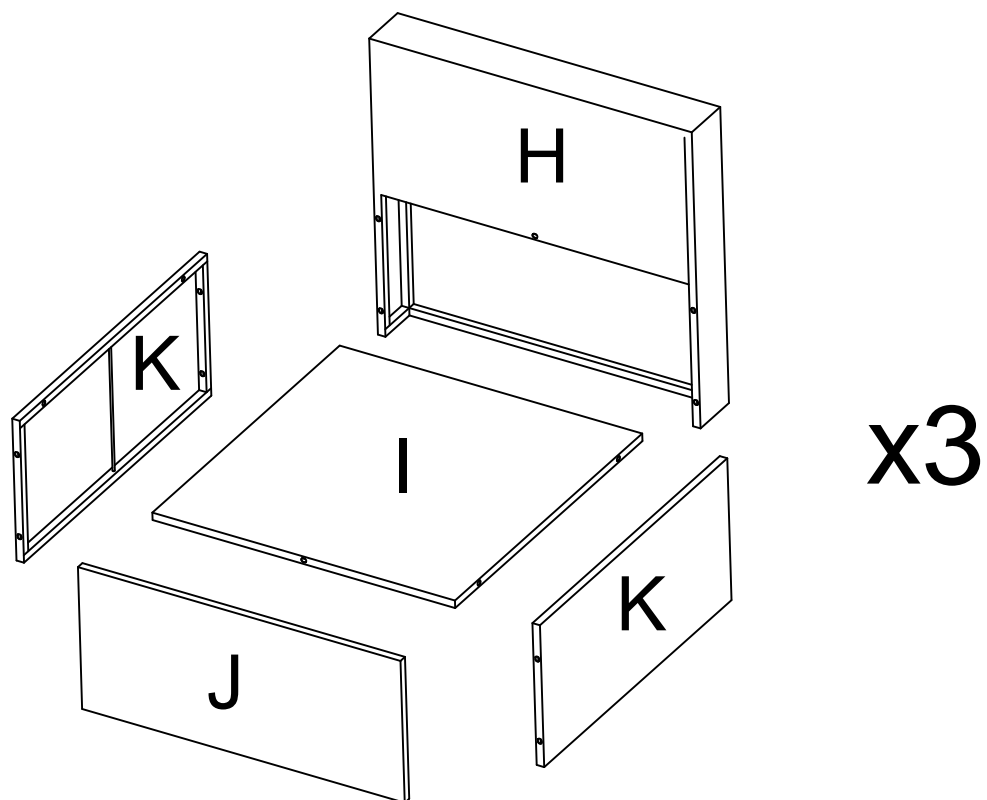
Return Policy

- Contact the seller in advance for support if you choose to return the product.
- Ensure that the product is in good condition and returned with the original packaging, along with all original proof of purchase, manuals, certificates, and accessories included.
- Disassemble any items that required assembly before returning the product.

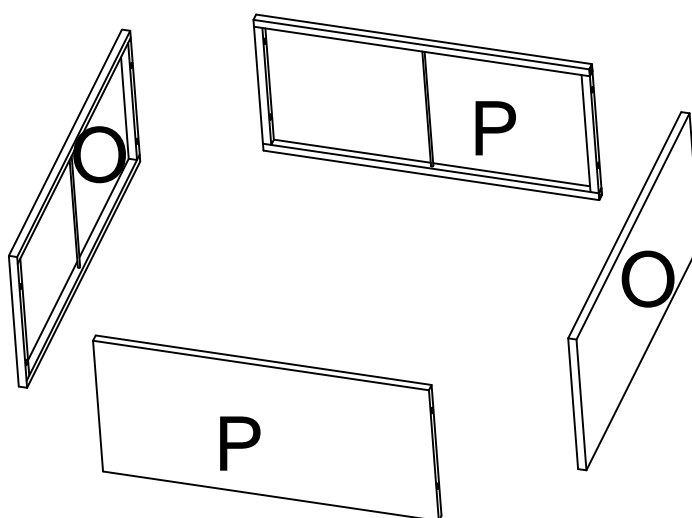
Warning

Seller is responsible for the product-related issues occurred upon receipt, but will not be responsible for the personal injury, property damage or loss resulting from the incorrect assembly, improper use, inadequate maintenance or neglect of this product.

Exploded View

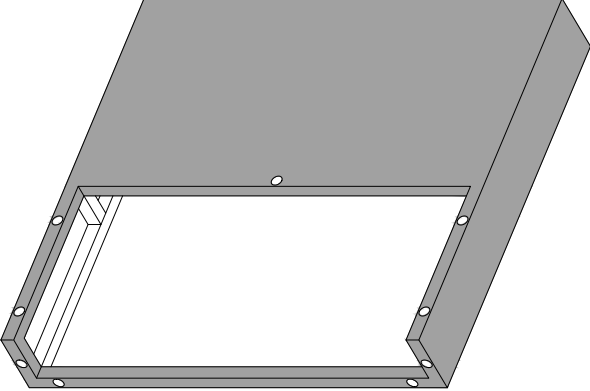


Middle sofa

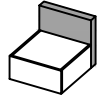


Coffee table

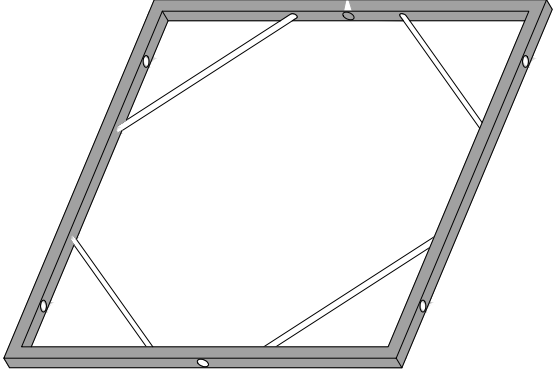
H



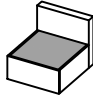
middle sofa backrest 3 pcs



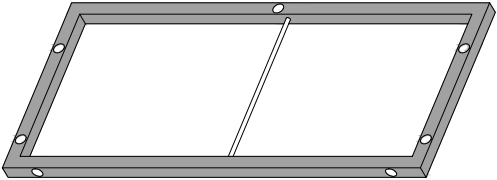
I



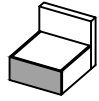
middle sofa seat board 3 pcs



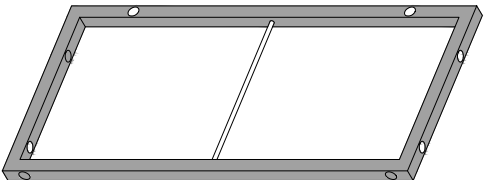
J



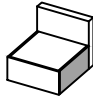
middle sofa board 3 pcs



K



sofa side board 6 pcs



O

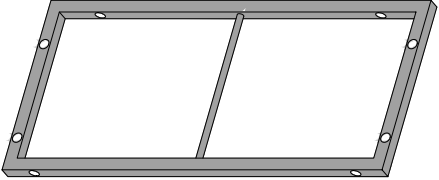
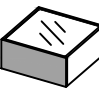


table part1 2 pcs



P

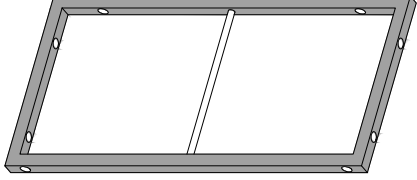
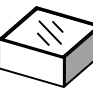


table part2 2 pcs



Q

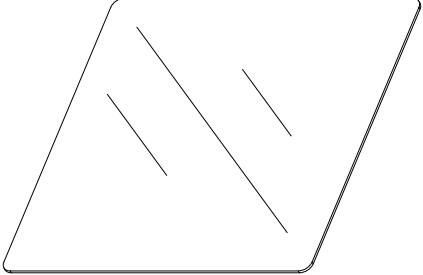
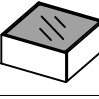
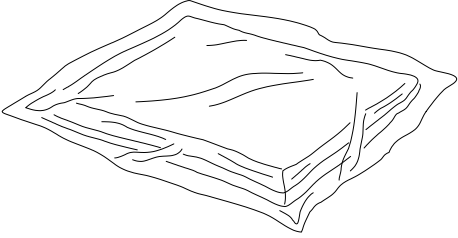


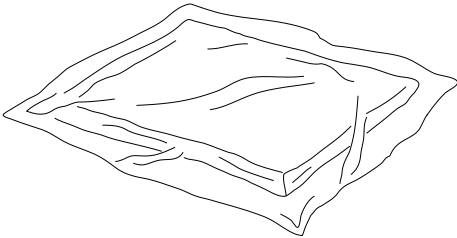
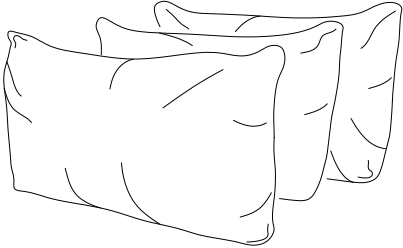
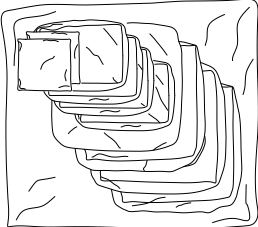
table glass 1 pcs



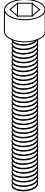


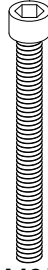
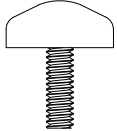

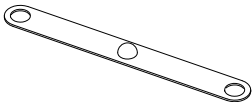
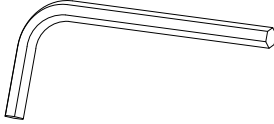

R



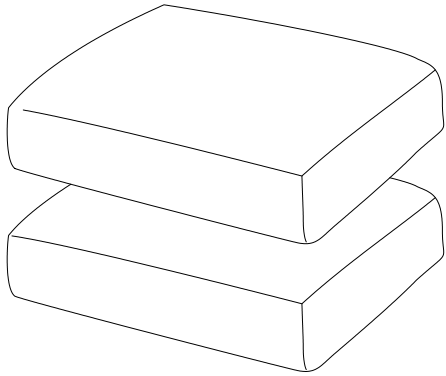
seat cushion insert
2 pcs

<p>S</p>  <p>seat cushion insert 1 pcs</p>	<p>T</p>  <p>back cushion insert(M) 3 pcs</p>
<p>W</p>  <p>cushion cover 16 pcs(6+6+2+2)</p>	

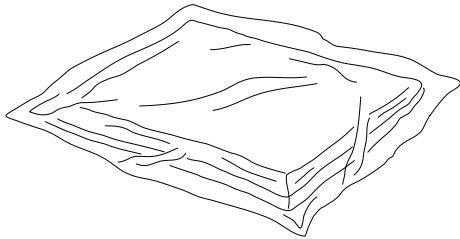
Hardware List

<p>1</p>  <p>screw M6*35mm 35 pcs</p>	<p>2</p>  <p>shim $\varnothing 16*6.4*1$ 73 pcs</p>	<p>3</p>  <p>nut M6 15 pcs</p>	<p>4</p>  <p>screw M6*50mm 15 pcs</p>	<p>5</p>  <p>adjustable screw 32 pcs</p>
<p>6</p>  <p>screw M6*15mm 8 pcs</p>	<p>7</p>  <p>brace bar 4 pcs</p>	<p>8</p>  <p>Inner hexagon spanner 1 pcs</p>	<p>9</p>  <p>open spanner 1 pcs</p>	

R

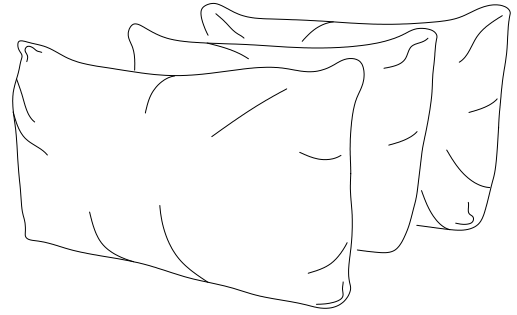


72h ↑ Unpacking



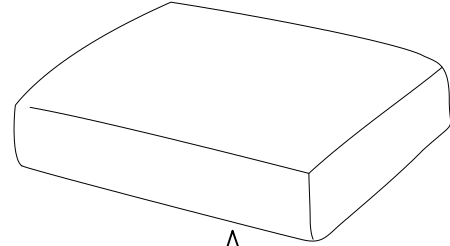
seat cushion insert
2 pcs

T

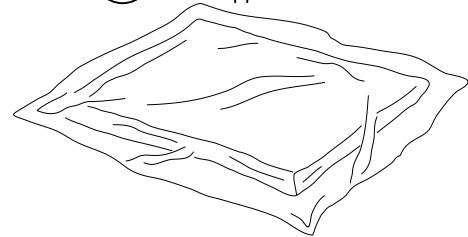


back cushion insert(M)
3 pcs

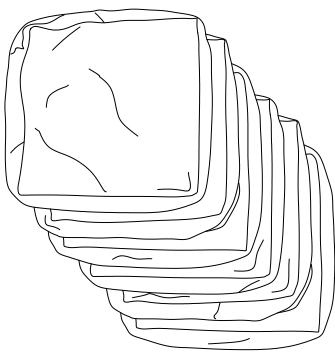
S



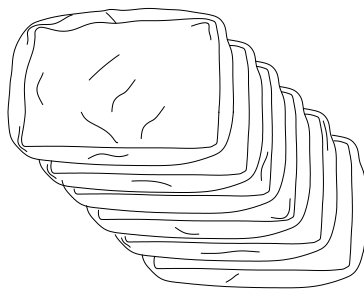
72h ↑ Unpacking



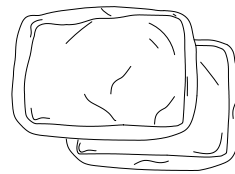
seat cushion insert
1 pcs



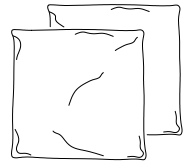
seat cushion cover
6 pcs



back cushion cover(M)
6 pcs



back cushion cover(S)
2 pcs





throw pillow cover
2 pcs

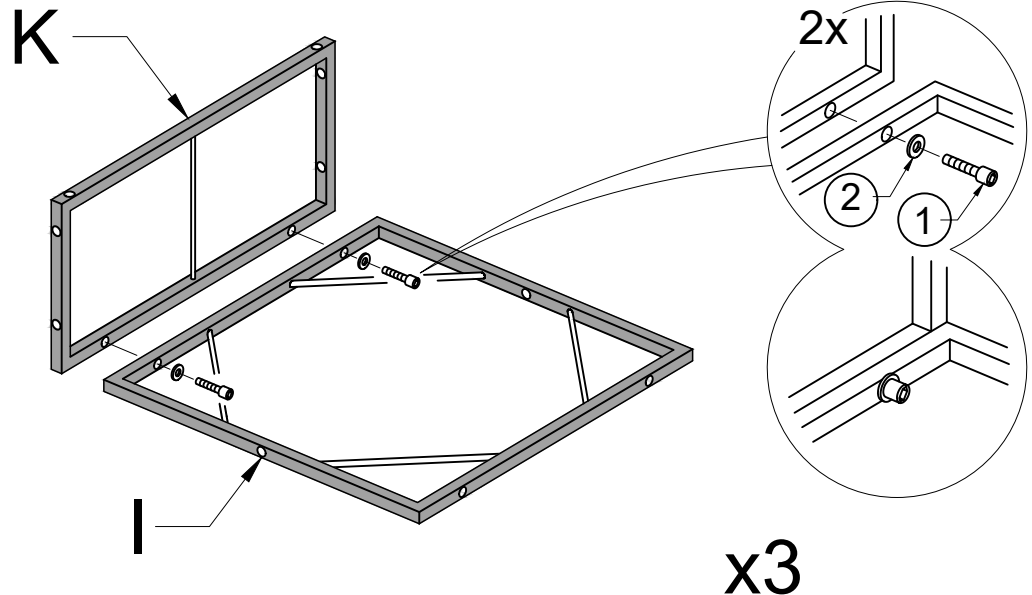
W

A set of cushion covers for the entire patio sectional set(6+6+2+2)

Step 1-1



for middle sofa
I x 3 , K x 3

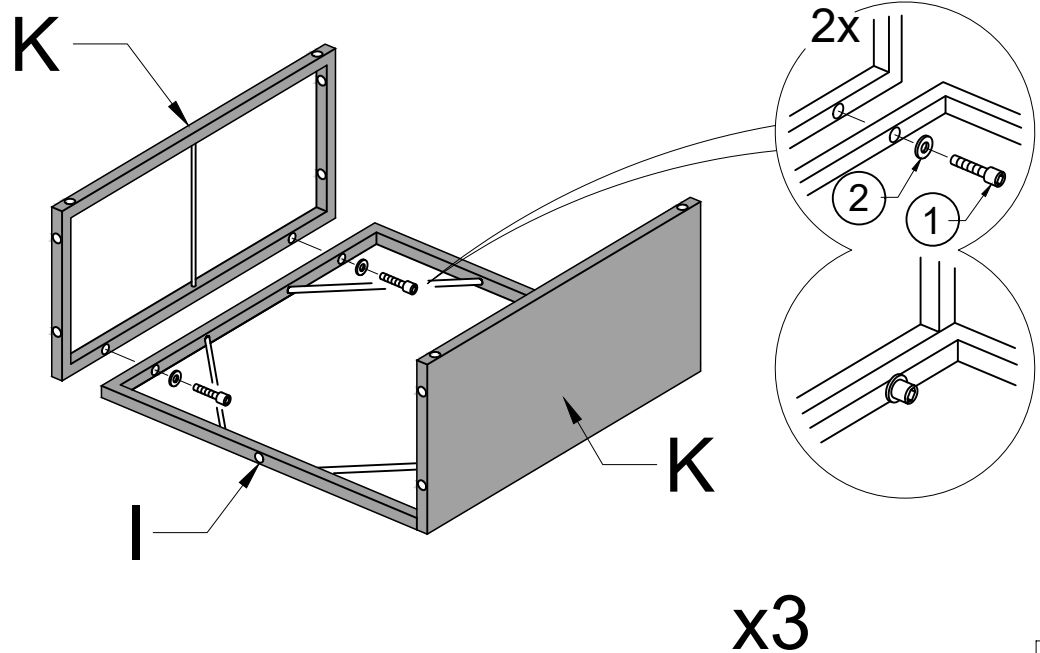
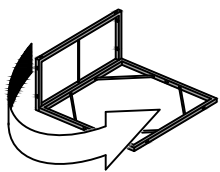
①	x2 pcs	②	x2 pcs
			
M6x35mm		ø16x6.4x1mm	



Step 1-2

for middle sofa
K x 3



①	x6 pcs	②	x6 pcs
			
M6x35mm		ø16x6.4x1mm	

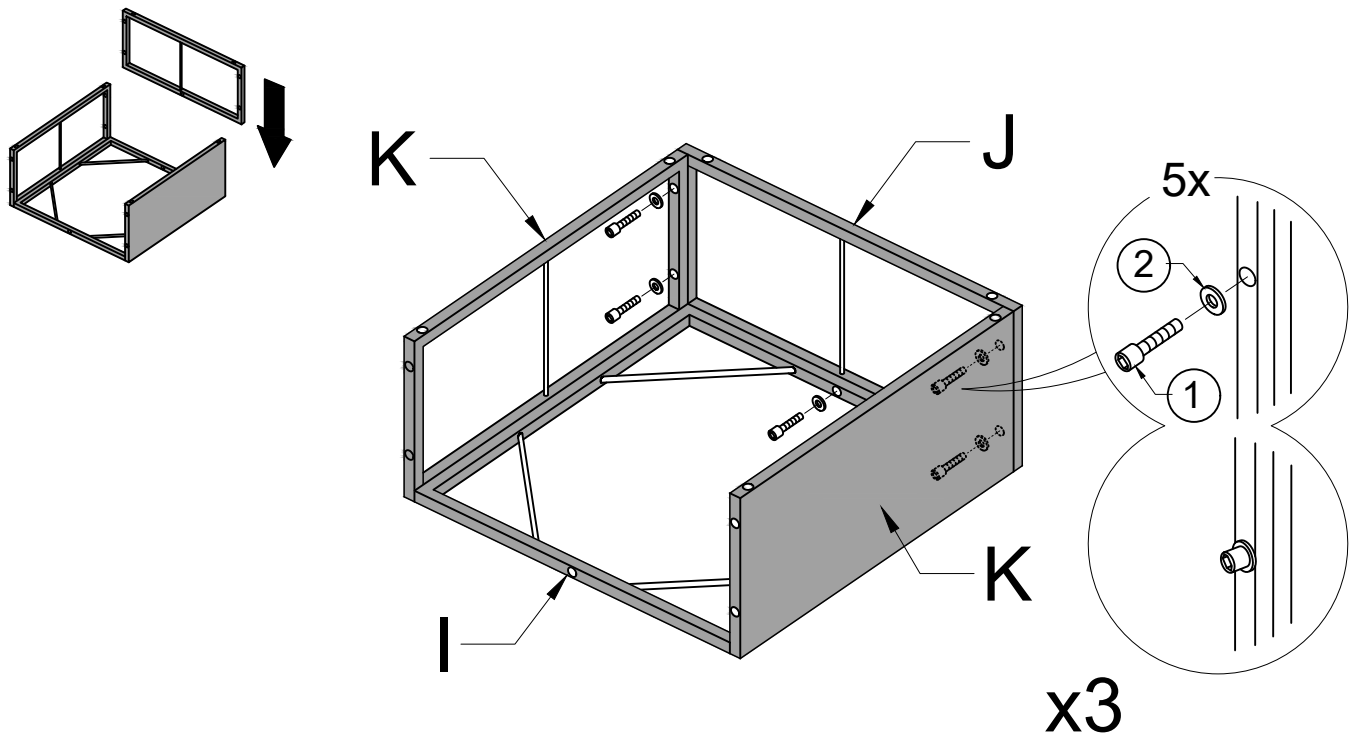


Step 2

for middle sofa

J x 3




①	x15 pcs	②	x15 pcs
			
M6x35mm		ø16x6.4x1mm	

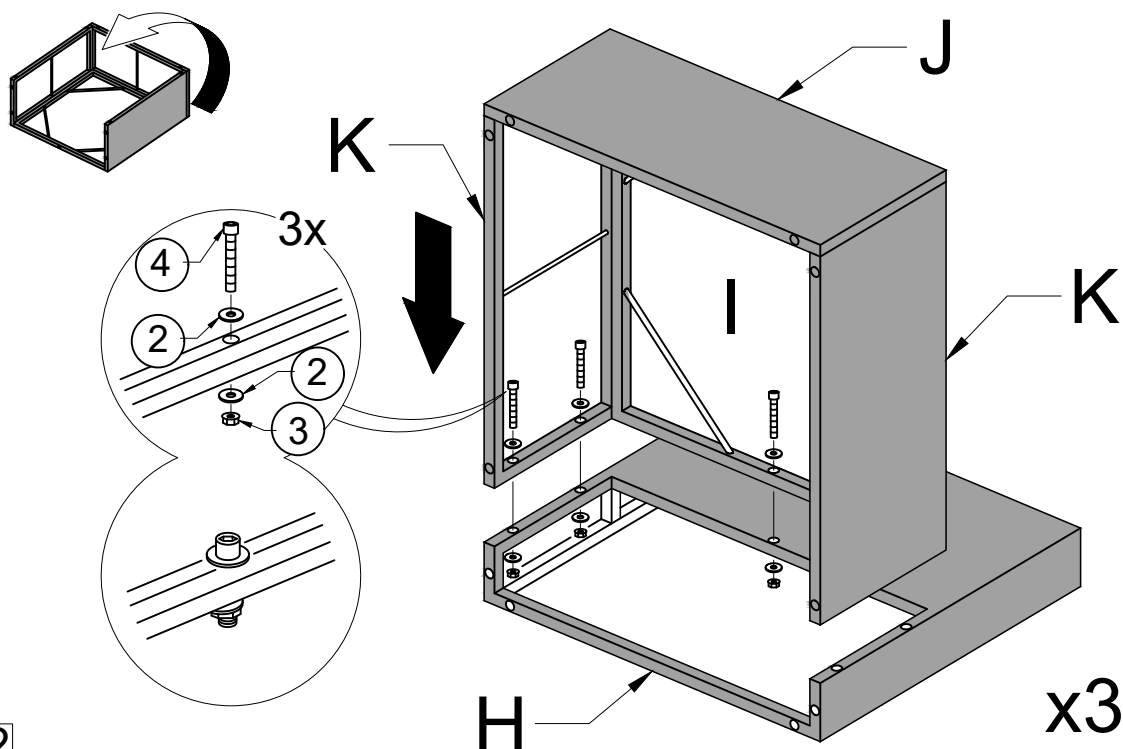


Step 3-1

for middle sofa




H x 3

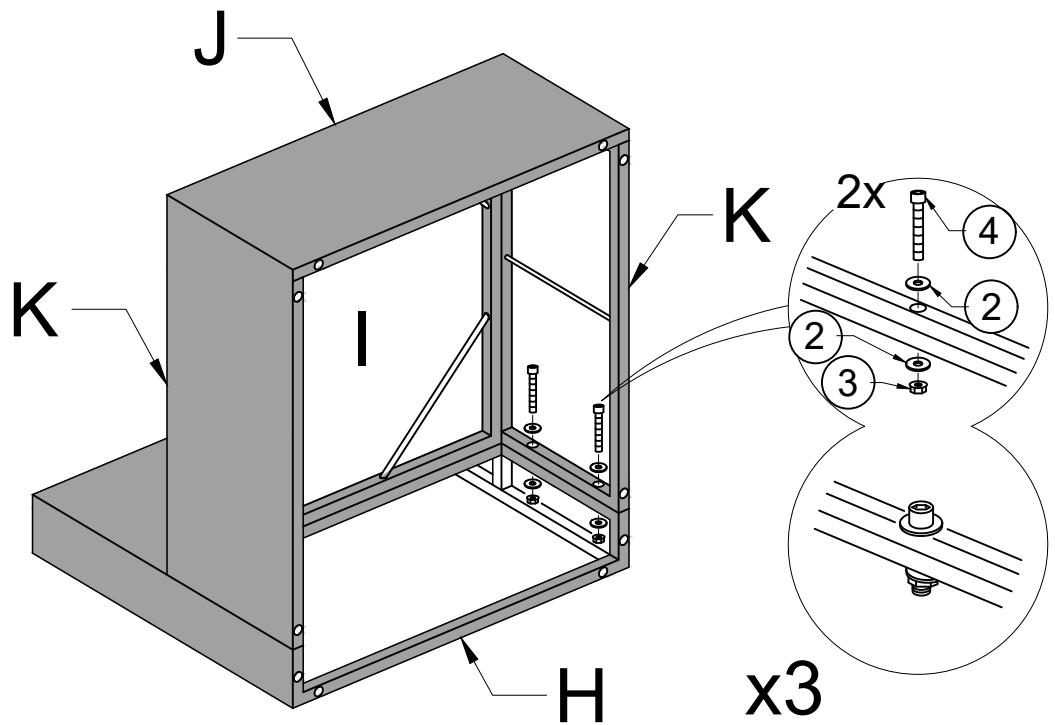
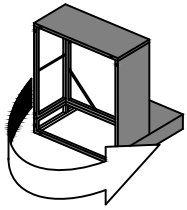
②	x18 pcs	③	x9 pcs	④	x9 pcs
					
ø16x6.4x1mm		M6		M6x50mm	



Step 3-2



for middle sofa

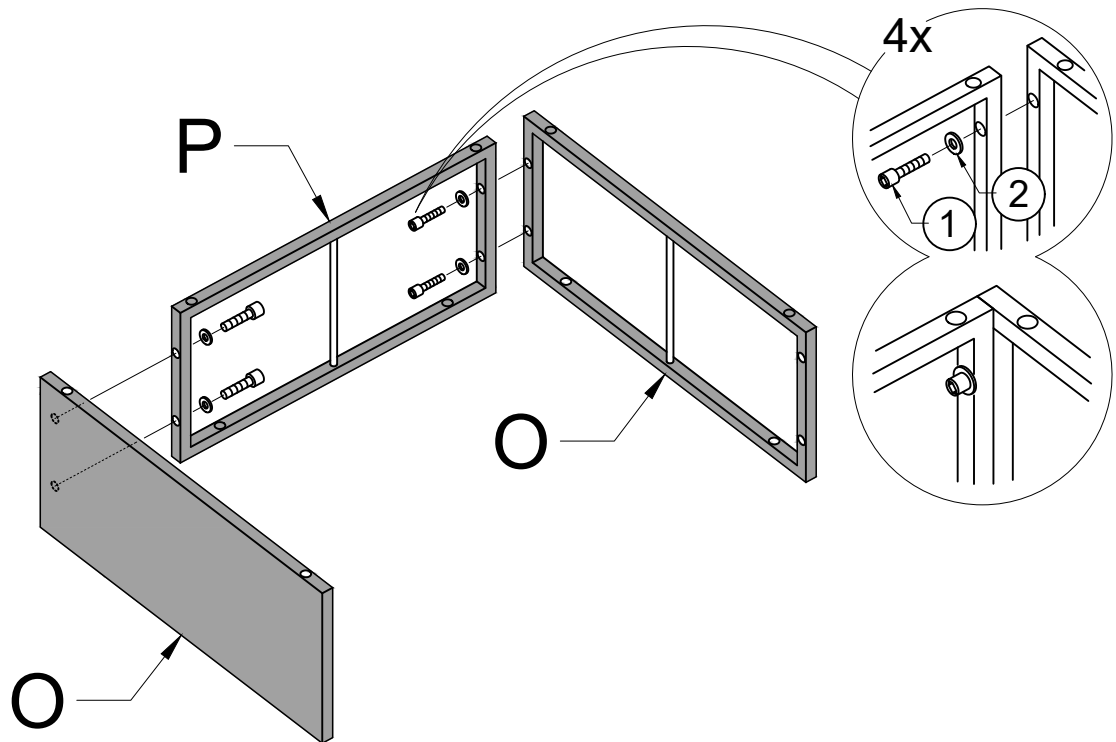
②	x12 pcs	③	x6 pcs	④	x6 pcs
					
ø16x6.4x1mm		M6		M6x50mm	



Step 1



for table
O x 2, P x 1

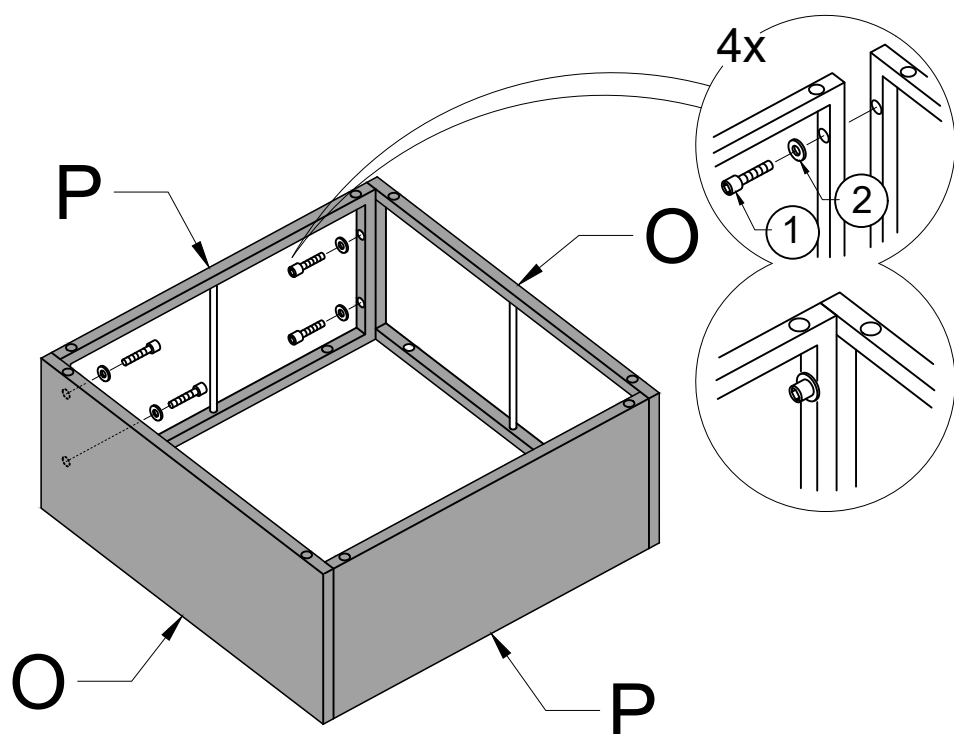
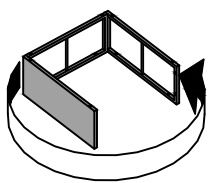
①	x4 pcs	②	x4 pcs
			
M6x35mm		ø16x6.4x1mm	



Step 2


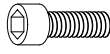
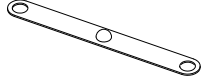
for table
P x 1

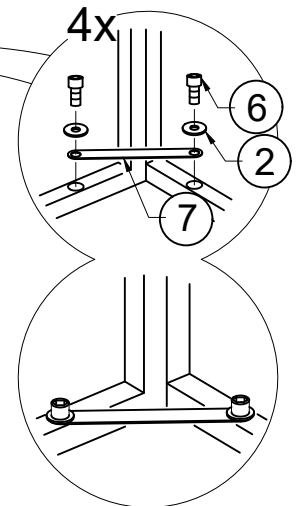
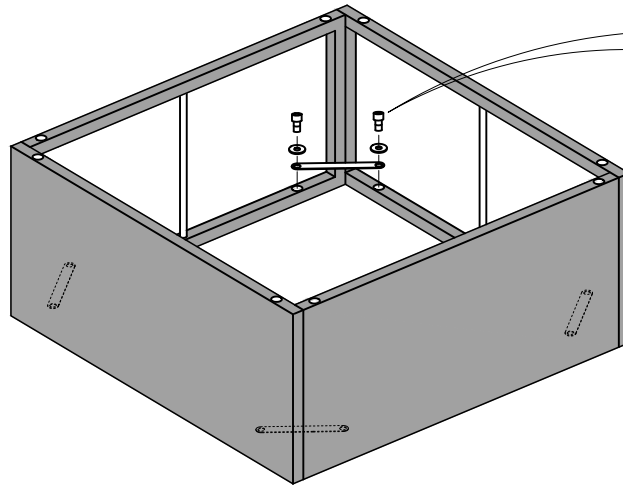
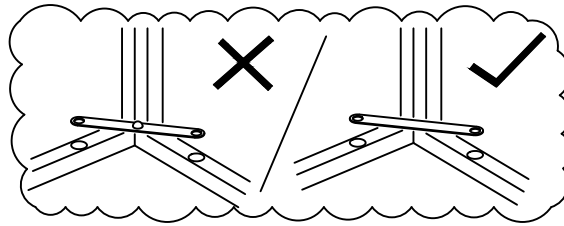
①	x4 pcs	②	x4 pcs
			
M6x35mm		ø16x6.4x1mm	



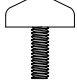
Step 3

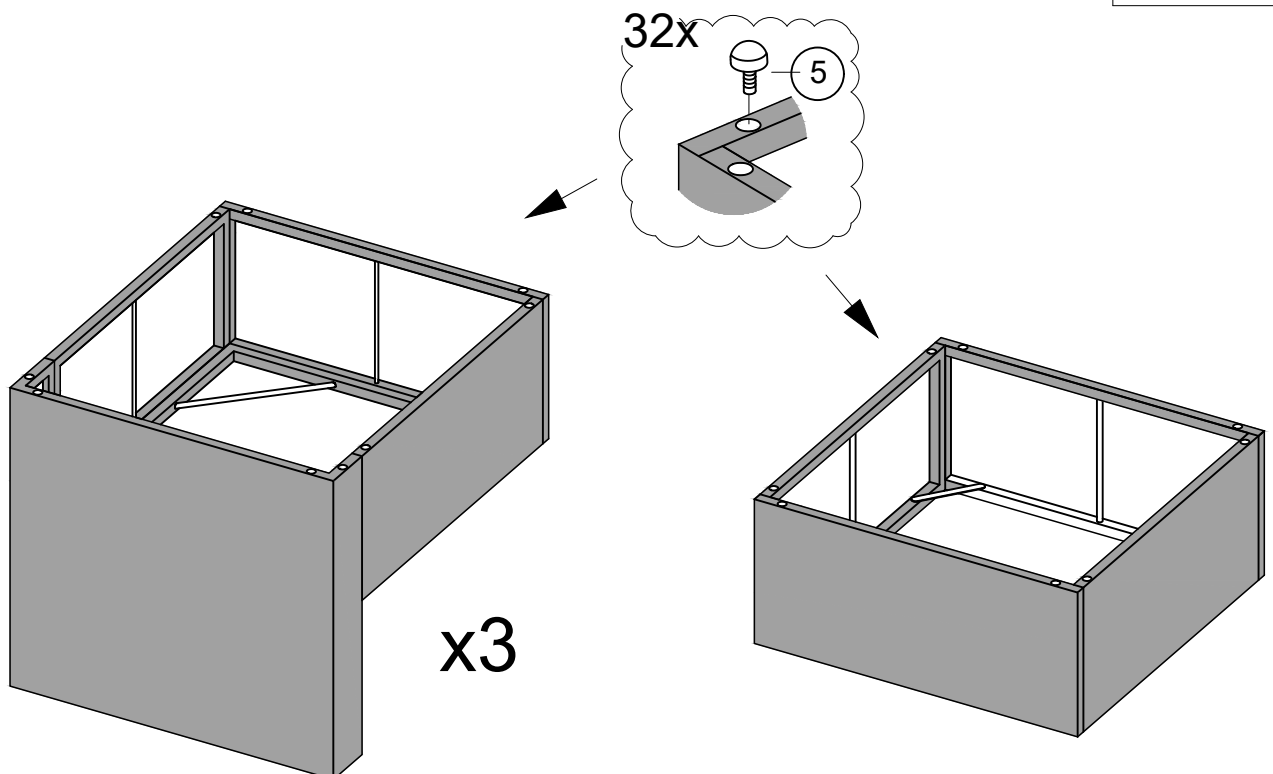
for table

②	x8 pcs	⑥	x8 pcs	⑦	x4 pcs
					
ø16x6.4x1mm		M6x15mm		brace bar	



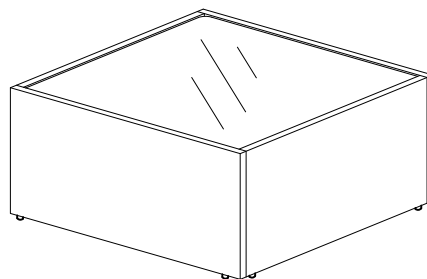
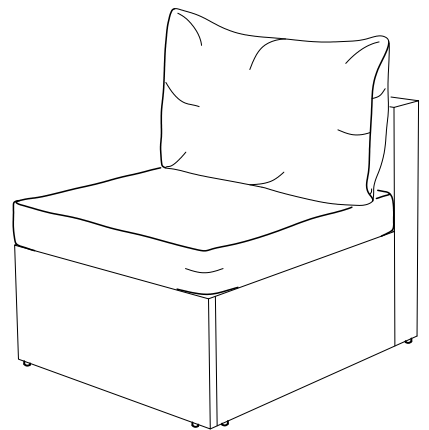
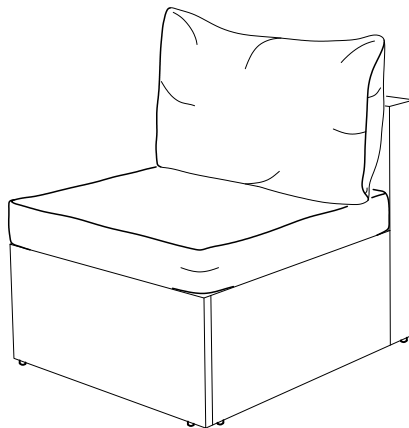
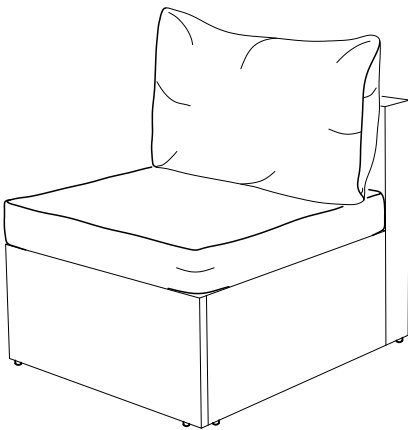
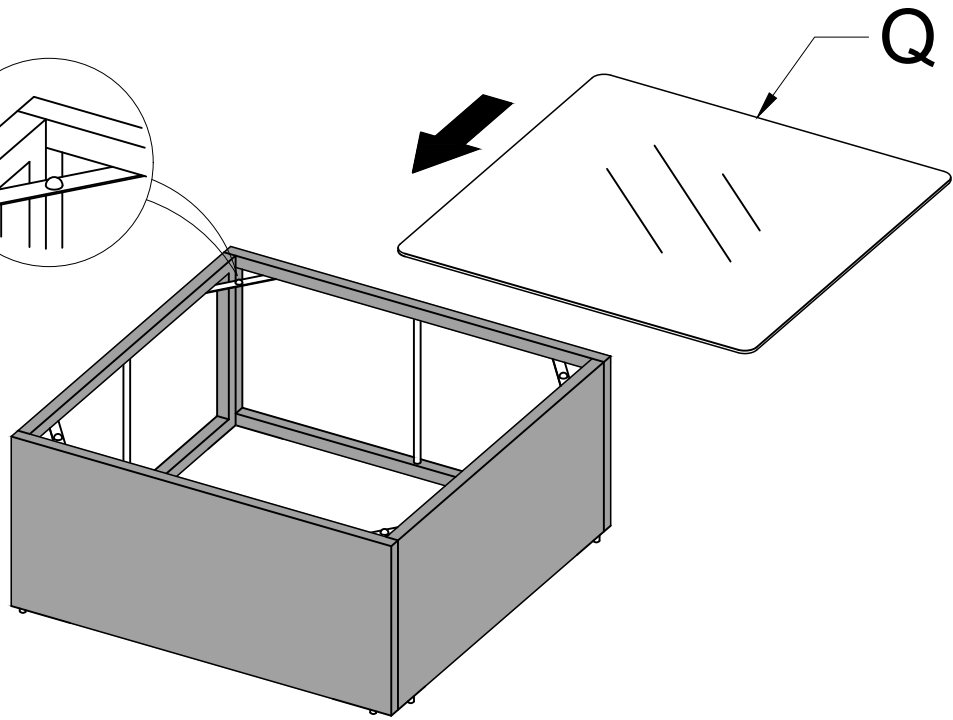
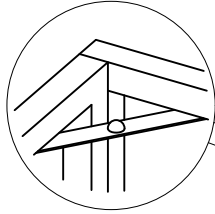
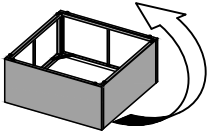
Step 4

⑤	x32 pcs
	
adjustable screw	



Step 5

for table



Contact Us

Dear customer, thank you for our products! We are proud to present our customers with high quality products!



If you have any product quality or use problems, please contact our customer service by email, we will ensure your satisfaction.



If you are satisfied with our products, please share your amazing experience with us and other customers! It would be our honor to hear from you!



Customer Service Team: cssince1987@hotmail.com!