

## SHOWER DOORS

### INSTALLATION INSTRUCTIONS

**SHOWER DOORS:** LBSDE2472  
LBSDE3072  
LBSDE3672

**SIDE PANELS:** LBSDPE672  
LBSDPE872  
LBSDPE1072  
LBSDPE1272  
LBSDPE1872  
LBSDPE2472



AVAILABLE SHOWER DOOR COMBINATIONS

LessCare® Shower Doors

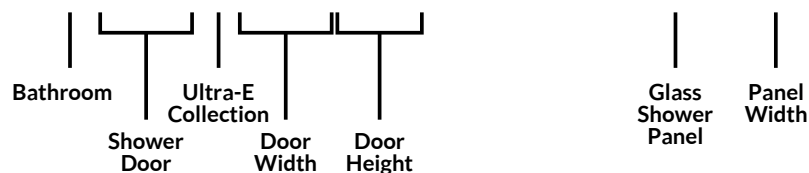
**ULTRA-E** Shower Swing-out Door

INSTALLATION WIDTH <b>W</b>	INSTALLATION HEIGHT <b>H</b>	SKU
24"	72"	LBSDE2472
30"	72"	LBSDE3072
36"	72"	LBSDE3672

**ULTRA-E** Shower Swing-Out Door + Stationary Panel

INSTALLATION WIDTH <b>W</b>	INSTALLATION HEIGHT <b>H</b>	GLASS DOOR <b>D</b>	GLASS PANEL <b>P</b>	SKU
30-31"	72"	24"	6"	LBSDE2472+LBSDPE672
32-33"	72"	24"	8"	LBSDE2472+LBSDPE872
34-35"	72"	24"	10"	LBSDE2472+LBSDPE1072
36-37"	72"	24"	12"	LBSDE2472+LBSDPE1272
36-37"	72"	30"	6"	LBSDE3072+LBSDPE672
38-39"	72"	30"	8"	LBSDE3072+LBSDPE872
40-41"	72"	30"	10"	LBSDE3072+LBSDPE1072
42-43"	72"	24"	18"	LBSDE2472+LBSDPE1872
42-43"	72"	30"	12"	LBSDE3072+LBSDPE1272
42-43"	72"	36"	6"	LBSDE3672+LBSDPE672
44-45"	72"	36"	8"	LBSDE3672+LBSDPE872
46-47"	72"	36"	10"	LBSDE3672+LBSDPE1072
48-49"	72"	24"	24"	LBSDE2472+LBSDPE2472
48-49"	72"	30"	18"	LBSDE3072+LBSDPE1872
48-49"	72"	36"	12"	LBSDE3672+LBSDPE1272
54-55"	72"	30"	24"	LBSDE3072+LBSDPE2472
54-55"	72"	36"	18"	LBSDE3672+LBSDPE1872
60-61"	72"	36"	24"	LBSDE3672+LBSDPE2472

LessCare — **LBSDE2472+LBSDPE672**



## PREPARATION FOR INSTALLATION



**READ ALL INSTRUCTIONS BEFORE UNPACKING THE PRODUCT**

**CAUTION!**



**TWO PERSON  
LIFT REQUIRED**

**2 PEOPLE ARE REQUIRED TO LIFT AND DURING  
ENTIRE INSTALLATION OF THIS PRODUCT**

LessCare reserves the right to change, update, modify, alter, redesign this manual/product or its policies without prior notice! It is your responsibility to visit website to download or contact customer service for the most updated version of the installation instructions.

LessCare shall not be liable for any injuries or property damages in connection with this product during installation or use of this product!

### IMPORTANT UNPACKING INSTRUCTIONS:

When you have open top carton box lid, do not take shower glass doors or panels out before you read this and have this items in place. Have a soft cloth blanket min ¼" thick and make sure cloth blanket is bigger then your glass doors or panels in your working area place. Set this soft cloth blanket on the floor of working area. Take out shower glass doors or panels out from the Carton box and set it on the soft cloth blanket. Do not lean it on the wall or floor without the soft cloth blanket.

**ATTENTION!** Never set glass on floor or tile or solid floor or wall surface without a soft cloth blanket if you set it without soft cloth blanket it will cause scratches to the tempered glass and this will cause it to shatter right away or when installed or when you start using it, improper handling causes scratches on the glass doors or panels. When installing glass doors or panels be sure your have inspected glass doors or panels fully before installing it. Do not install and Stop installation if you see or find scratches or chipped corners on your glass doors or panels. NEVER set glass doors or panels on its corners make sure the your floor is level with the soft cloth blanket when preparing glass doors or panels for installation.

After opening all boxes and packages, read this introduction carefully. Check that all of the needed parts are included in the package by checking all the components on the diagram of components. Examine boxes and packages for shipping damage. If the unit has been damaged or missing parts, please contact our customer support department immediately. Please note that LessCare will not replace any damaged products or missing parts after 2 business days of the order receipt.

**VERY IMPORTANT!** Double check all glass corners and four edges of all glass door and panels to make sure that all the glass are in perfect condition and without any scratches or chipped corners. Do not try to install the shower door, if there is any scratches or chipped corners. Note, that you should consult your local building codes with questions on installation compliance standards. Building and plumbing codes may vary from state to state and location. LessCare is not responsible for code compliance standards for your project and will not accept any returns. Prior to installation, ensure that the installation surface is leveled and solid, and will be able to support the total weight of the unit. Also, make sure the walls are at the right angles. Irregular installation surface level or improper angle of side walls will result in serious problems during installation. Note, that some adjustments and drilling will be necessary during the installation process.

**VERY IMPORTANT!** Installation of this extremely heavy product to the wall requires minimum of 2" x 4" wood stud framing behind the wall.



**INSTRUCTIONS THAT, IF IGNORED COULD RESULT IN SERIOUS INJURY OR DEATH  
CAUSED BY INCORRECT HANDLING OR INSTALLATION OF THE PRODUCT.  
THESE INSTRUCTIONS MUST BE OBSERVED FOR SAFE INSTALLATION!**

**LICENSED AND INSURED PROFESSIONAL CONTRACTOR IS REQUIRED TO INSTALL  
THIS PRODUCT INCLUDING ASSISTANCE OF A SECOND PERSON DURING INSTALLATION**

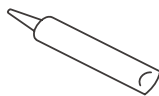
**No modifications to the product are allowed. Modifications of any types to the product will result in serious injuries or may cause death.**

**IMPORTANT:** Do not the handle on to the glass door until the instruction tells you to do so. Never lift the glass using the handle. Failure to do so will result in serious personal injury and could cause damages to the glass. Professional graded glass suction cups are highly recommended while handling extremely heavy glass. This product must be installed on a finished threshold and against finished walls only. This product is intended for residential use only.

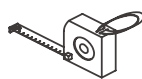
### TOOLS REQUIRED



Soft Cloth  
or Blanket



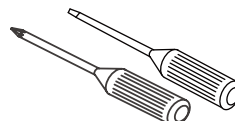
Silicone



Tape  
Measure



Pencil/Marker



Philips/Straight  
Screwdriver



Drill Bit  
ø = 5/16"



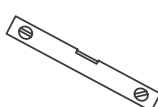
Drill Bit  
ø = 1/8"



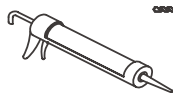
Safety Glass



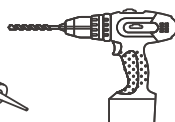
Knife



Level



Caulk Gun



Drill



Hammer



Soft Wood  
Shim

OTHER TOOLS MAY BE REQUIRED

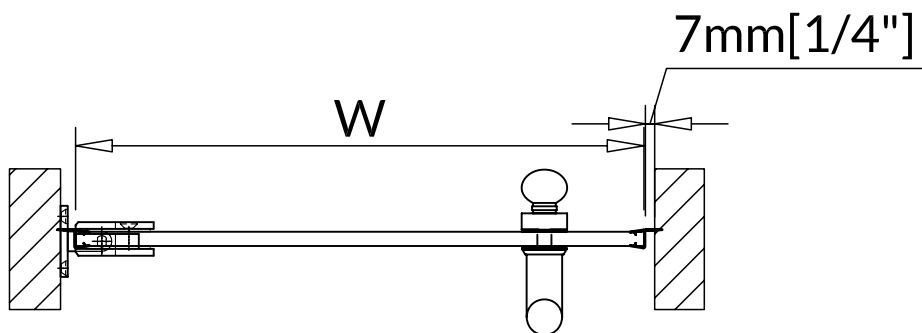
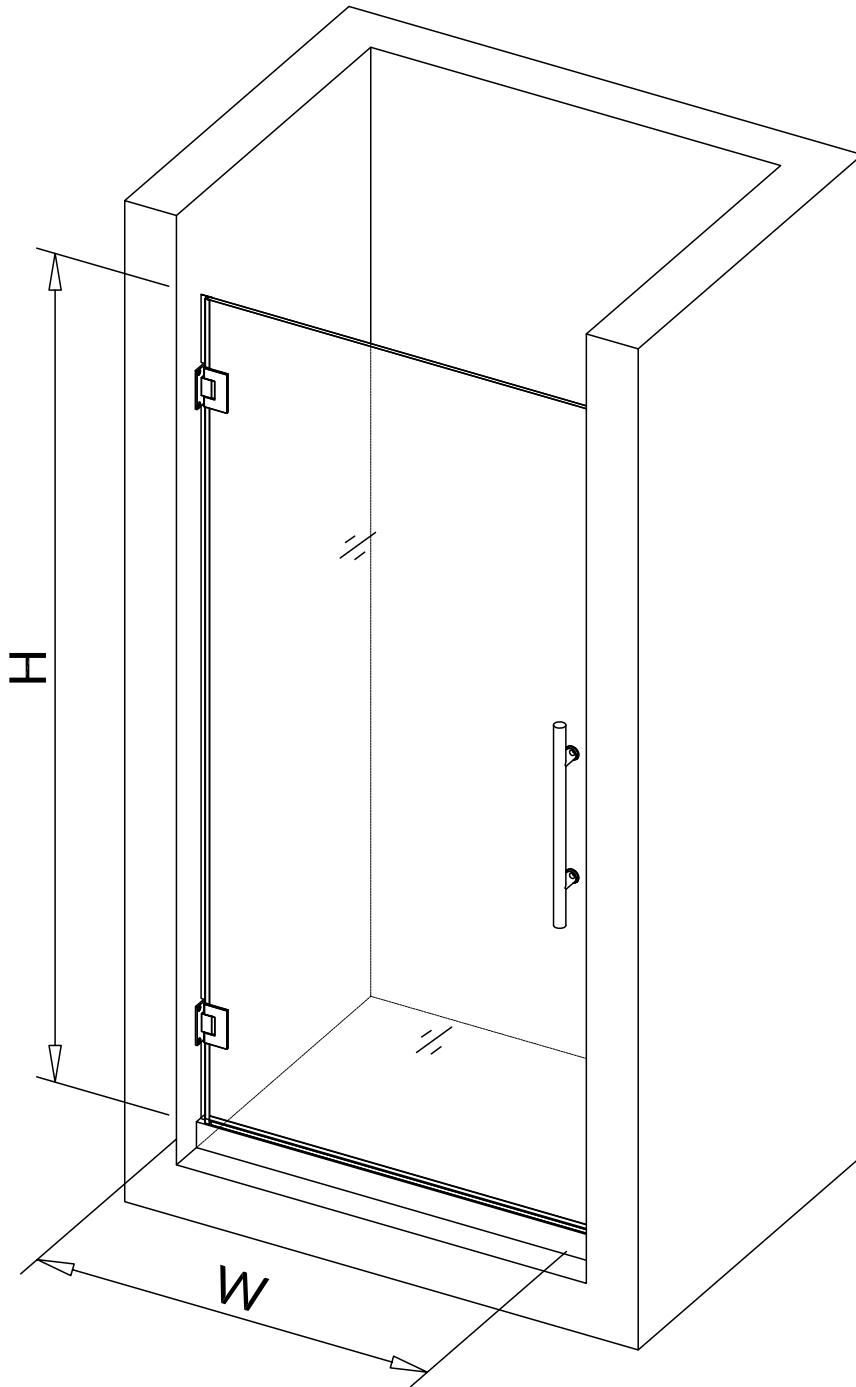
[www.lesscare.com](http://www.lesscare.com)

MODELS:

LBSDE2472

LBSDE3072

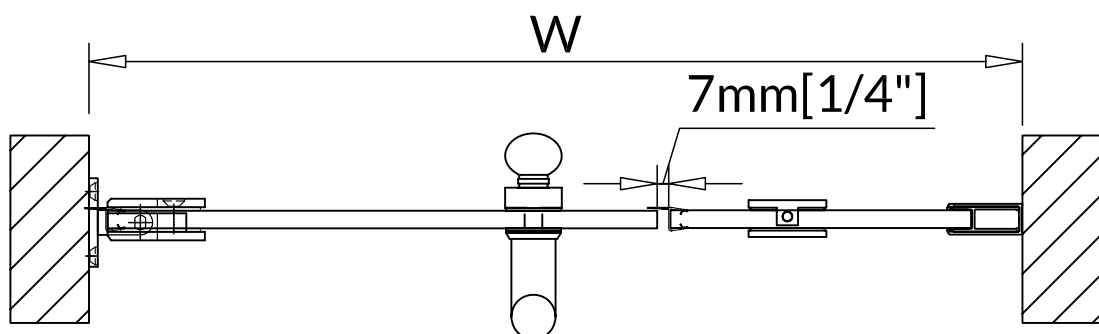
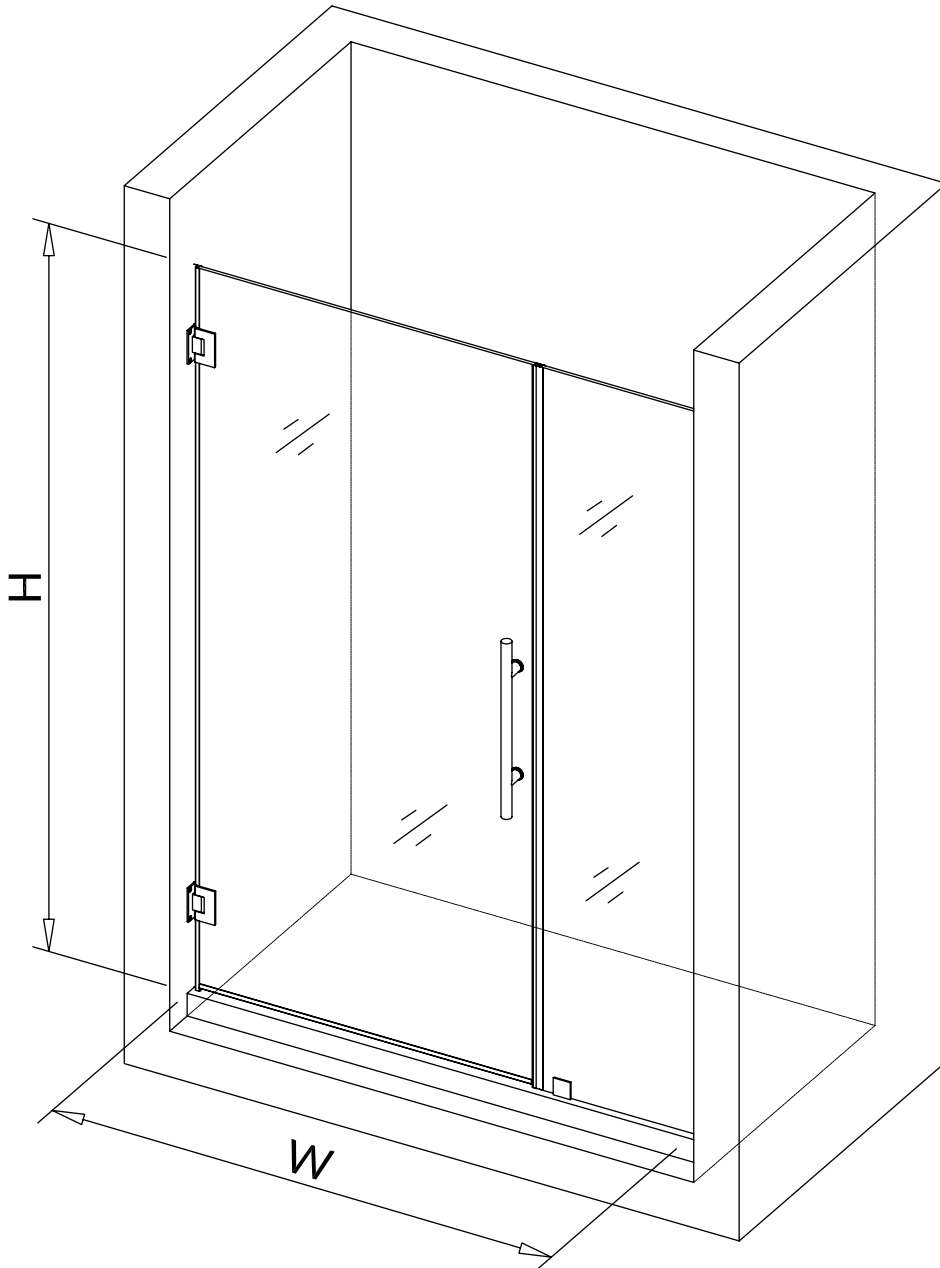
LBSDE3672

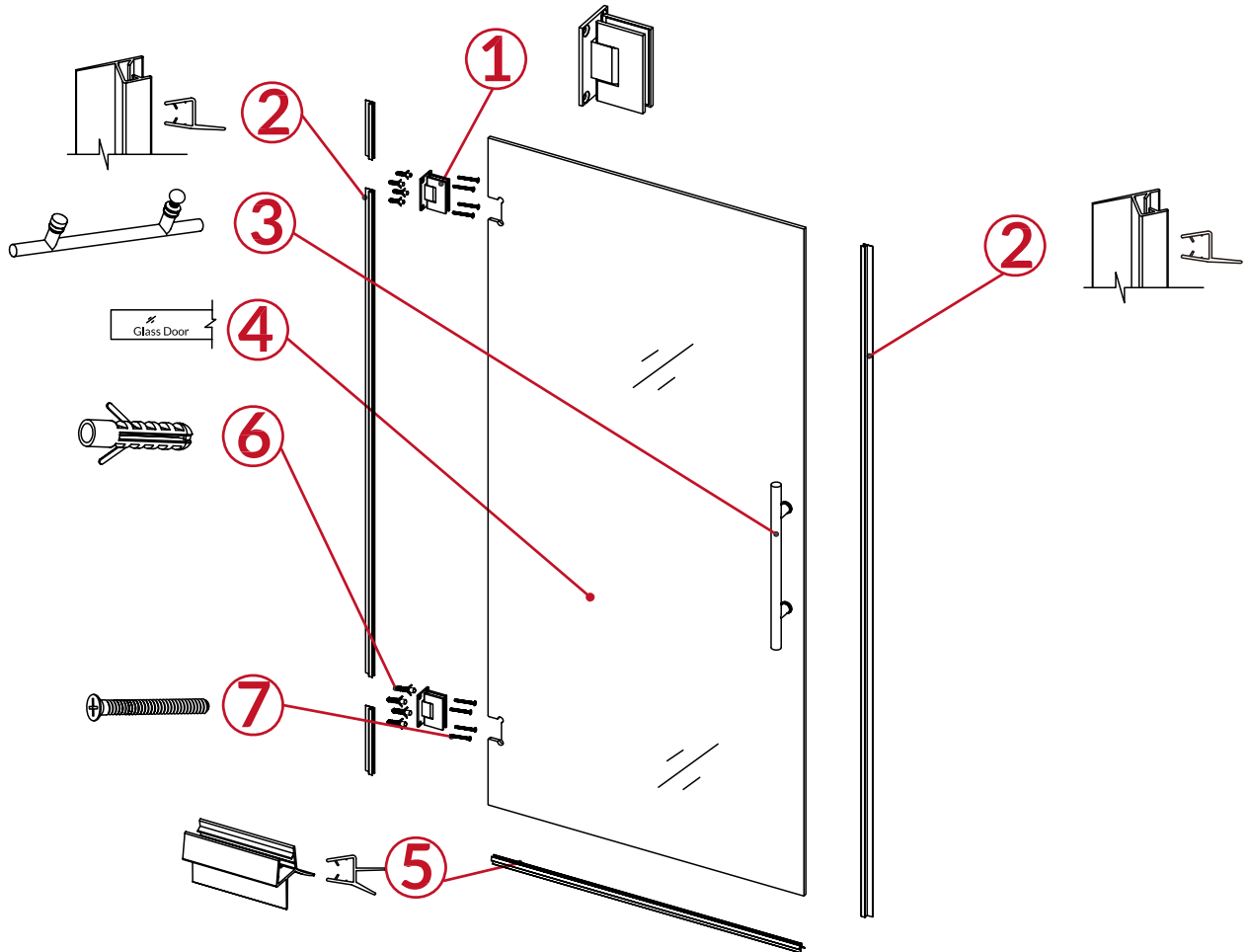


SHOWER DOOR + SHOWER PANEL STYLES

MODELS:

- LBSDE2472+LBSDPE672
- LBSDE2472+LBSDPE872
- LBSDE2472+LBSDPE1072
- LBSDE2472+LBSDPE1272
- LBSDE3072+LBSDPE672
- LBSDE3072+LBSDPE872
- LBSDE3072+LBSDPE1072
- LBSDE2472+LBSDPE1872
- LBSDE3072+LBSDPE1272
- LBSDE3672+LBSDPE672
- LBSDE3672+LBSDPE872
- LBSDE3672+LBSDPE1072
- LBSDE2472+LBSDPE2472
- LBSDE3072+LBSDPE1872
- LBSDE3672+LBSDPE1272
- LBSDE3072+LBSDPE2472
- LBSDE3672+LBSDPE1872
- LBSDE3672+LBSDPE2472



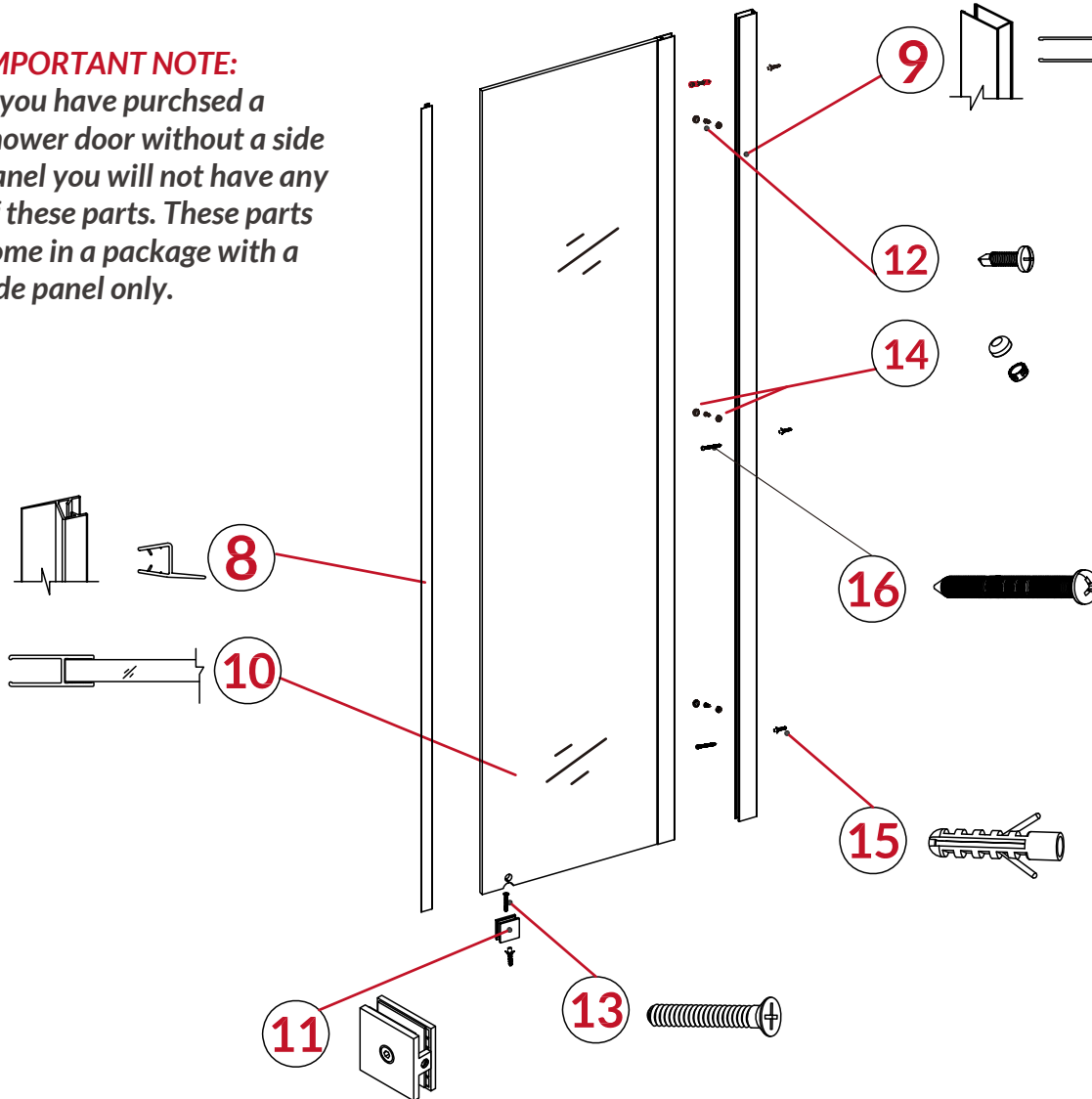


Item#	Description	Qty
1	Hinge	2 pcs
2	Side Strip	2 pcs
3	Handle	1 pc
4	Glass Door	1 pc
5	Bottom Anti-water strip	1 pc
6	Wall Anchor	8 pcs
7	Screw M5X60	8 pcs

SIDE PANEL COMPONENTS

**IMPORTANT NOTE:**

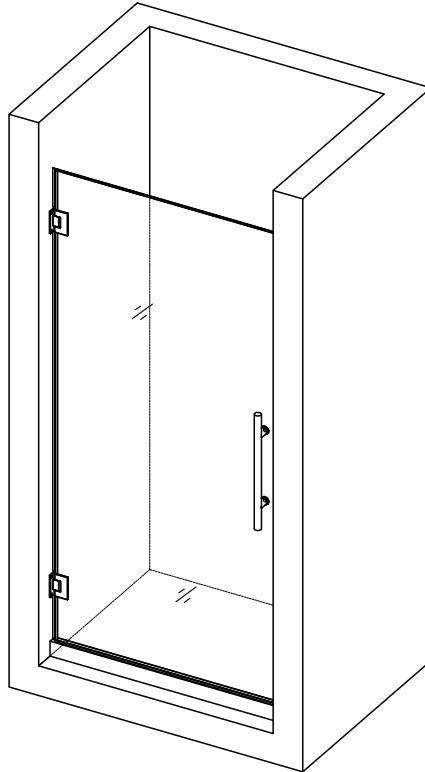
If you have purchased a shower door without a side panel you will not have any of these parts. These parts come in a package with a side panel only.



Item#	Description	Qty
8	Anti-Water Strip	1 pc
9	Wall Profile	1 pc
10	Fixed Glass (with glass profile)	1 pc
11	Bottom Bracket	1 pc
12	Round Head Screw M3.5X13	3 pcs
13	Countersunk Screw M4X30	1 pc
14	Screw Cover	3 pcs
15	Wall Anchor	4 pcs
16	Screw M4X60	3 pcs

## Single Shower Door Assembly and Installation

### Configuration 1



1. Disassemble the hinge and attach the Hinges (1) to the Glass door (4).  
See Figure 1 for details.

**IMPORTANT:** Make sure that clear rubber gaskets and the plastic gasket are in between the glass door and the hinge plates.

**IMPORTANT:** Do not let any metal parts come into contact with the glass directly, which will damage the glass notches and cause scratches or damage to the Glass Door. If ignored, could result in serious injury or death.

**ATTENTION:**

Never set your glass down directly onto a tile or concrete floor.

Always use a piece of wood or cardboard and leave the corner pads on the glass until it becomes necessary to remove them to protect the bottom edge and the corners of the glass from breakage.

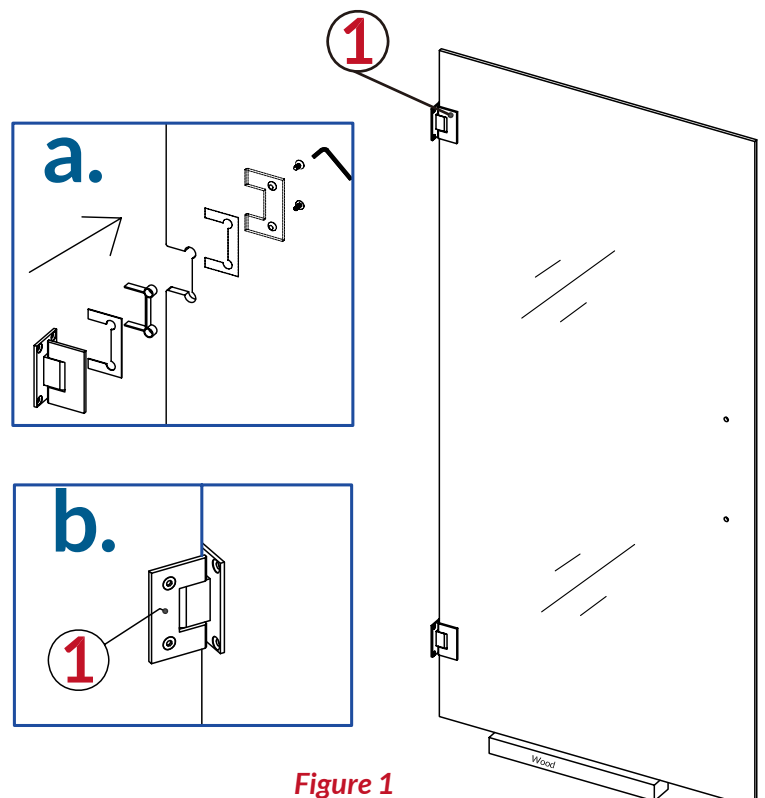


Figure 1

2. Remove the corner pads from the Glass door (4). Cut the Side strip (2) according to the measurements. Slide the side anti-water Strip (2) to the Glass Door (4).

See Figure 2 for details.

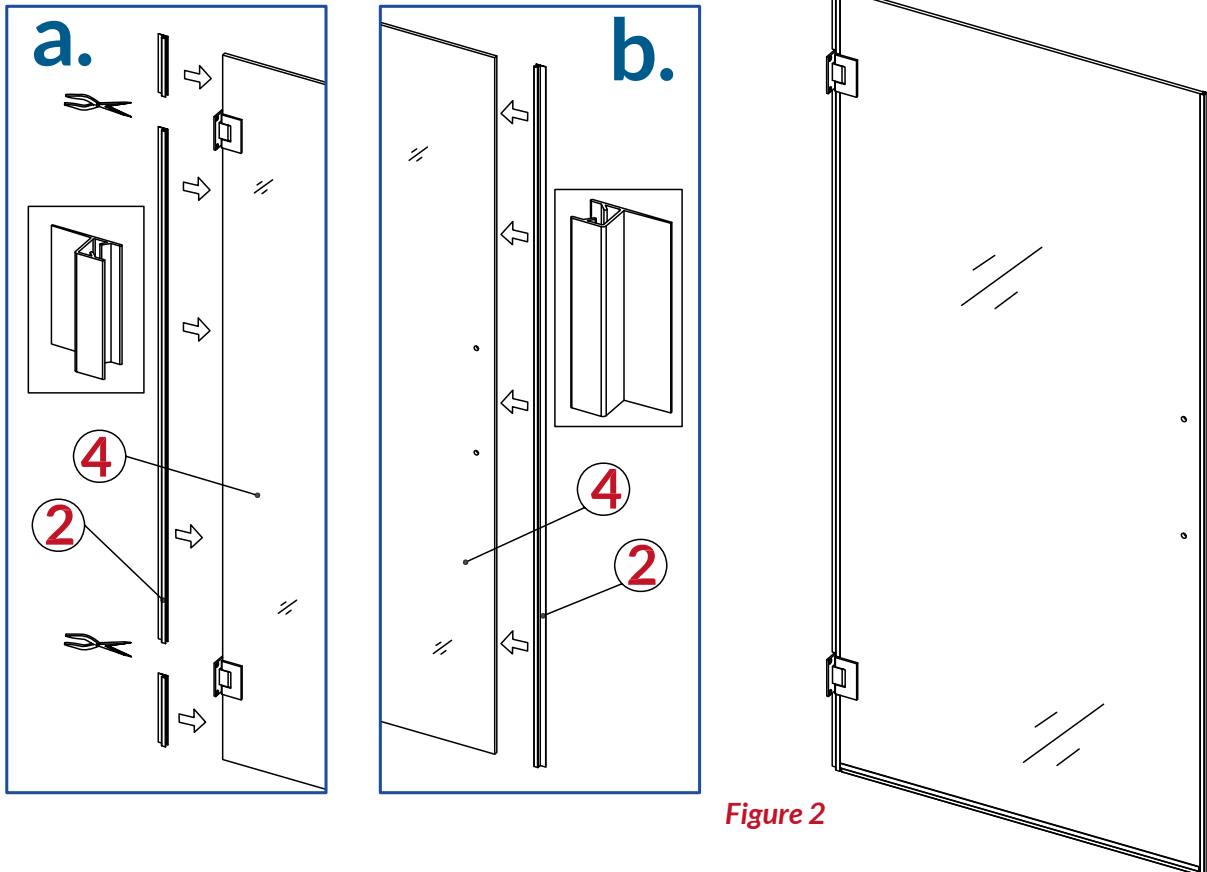


Figure 2

3. Place a piece of flat timber (3/8" thick) on the threshold or the shower base. Place the Glass door(4) on the flat timber. Carefully butt up the door with hinged side against the wall, adjust its position and level it vertically and horizontally.

**ATTENTION:**  
Please check with a level and be sure that the door is absolutely plumb.

See Figure 3 for details.

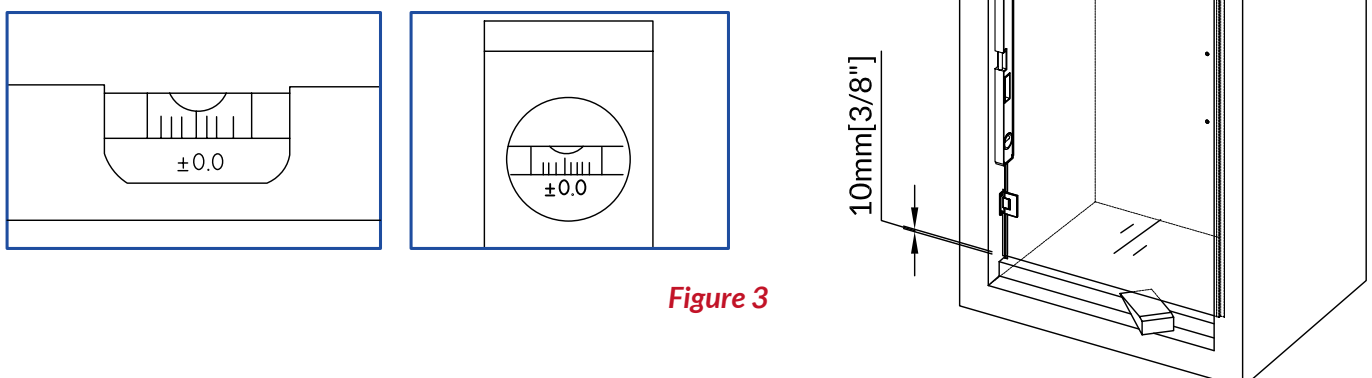


Figure 3

4. Hold the door in place and mark down the drill holes for both Hinges (1) on the wall. Set the door aside and drill the holes in the wall using  $\text{Ø}8\text{mm}(\text{Ø}5/16\text{'})$  drill bit. Apply silicone into the holes on the wall and insert the wall anchors (6)

**ATTENTION:**

*This door is extremely heavy and the hinges on this door must be attached to the studs or to preinstalled 2 x 4 wood reinforcement behind the wall.*

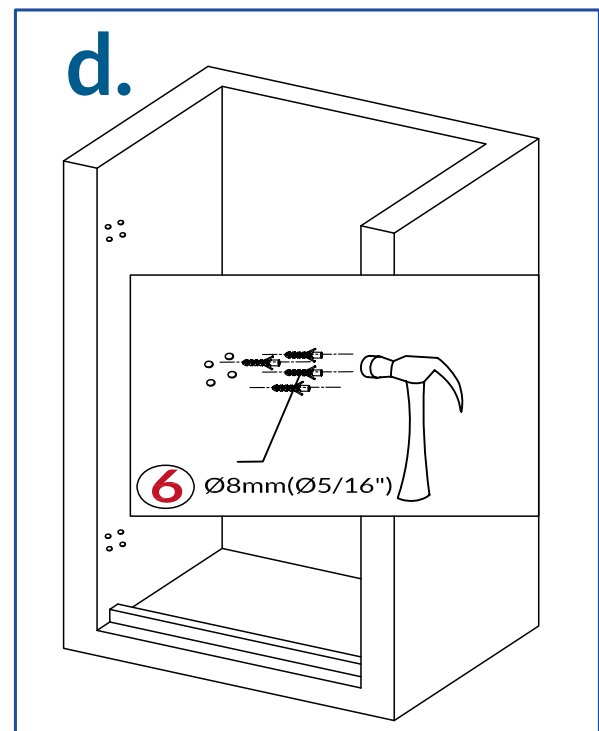
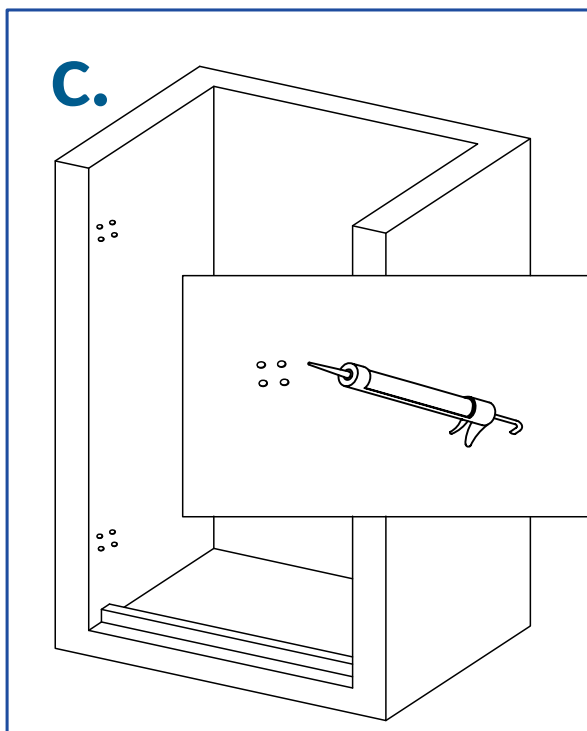
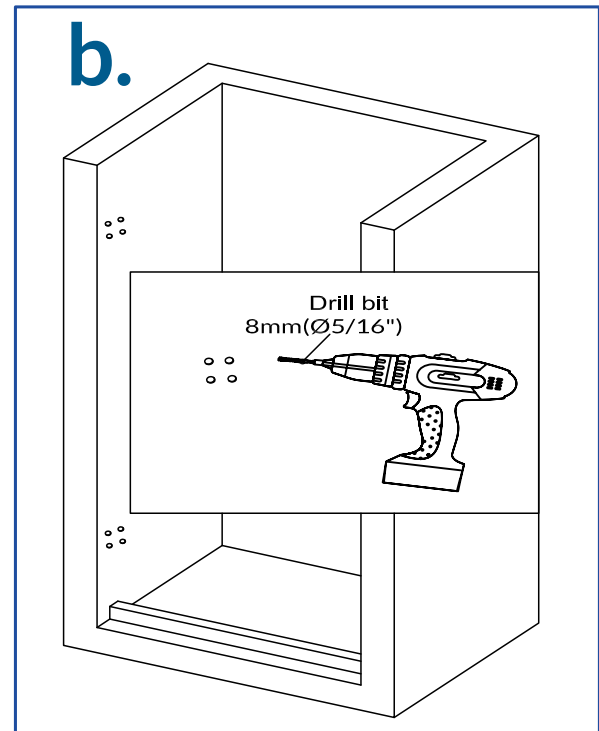
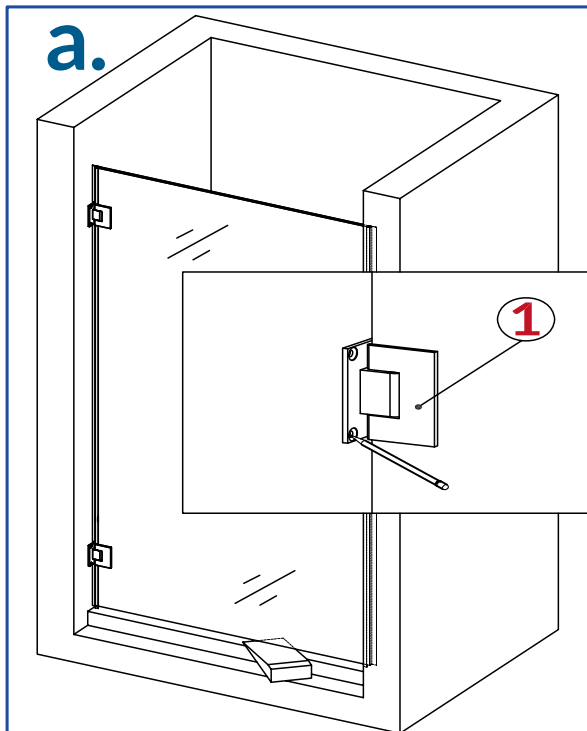


Figure 4

INSTALLATION STEPS

5. Disassemble the Hinges (1) from the glass door carefully and set the Glass Door (4) aside. Locate the main body of the hinge to the predrilled holes, fasten the main body of the hinge to the wall with screws M5 x 60 (7). Place the Glass Door back to its position and reassemble the Hinges.

See Figure 5 for details.

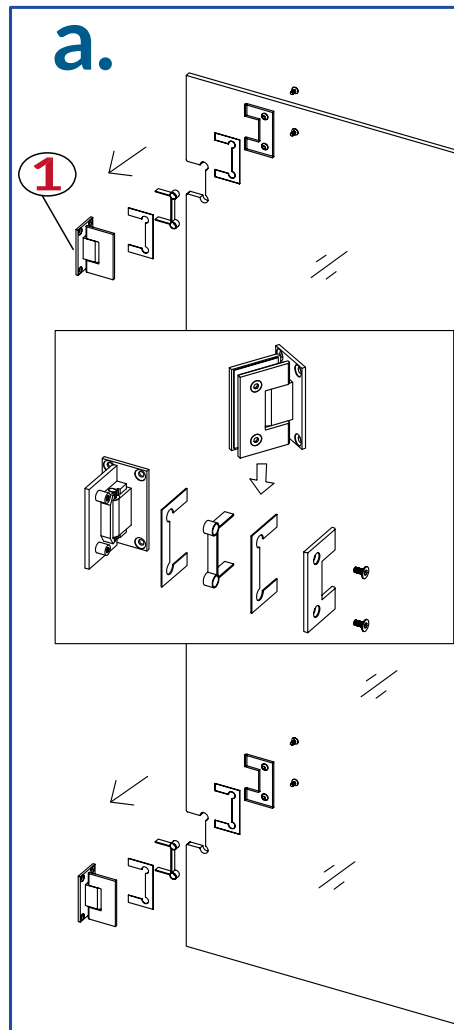
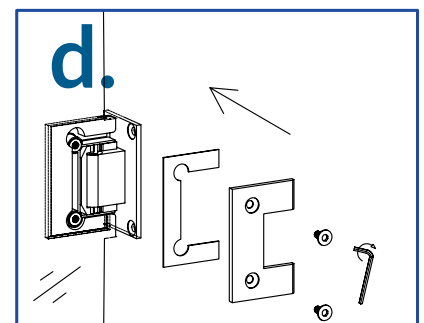
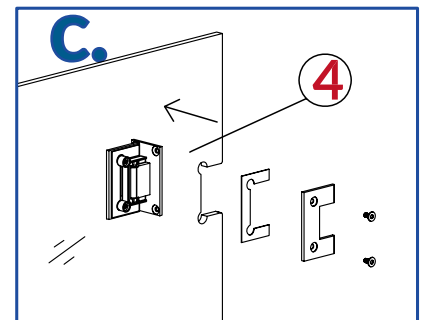
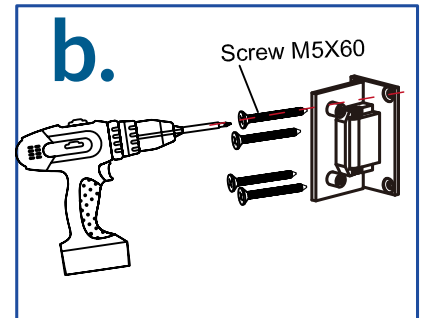


Figure 5



6. Mount the Handle (3) to the Glass Door (4). Place the Bottom Anti-Water Strip (5) to the bottom edge of the Glass Door. See Figure 6 for details.

**IMPORTANT:**

Make sure that clear rubber gaskets are in between the Glass Door and knob, between washer and glass; between cap and glass door. Tighten knob and cap with hand only, do not use any types of tools to tighten it.

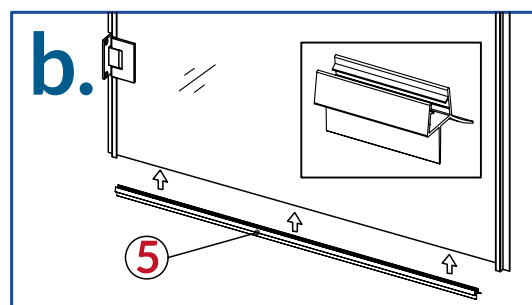
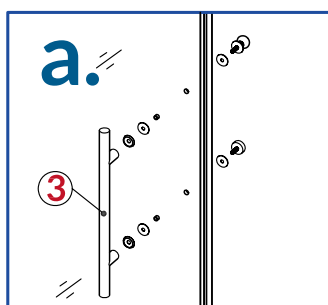
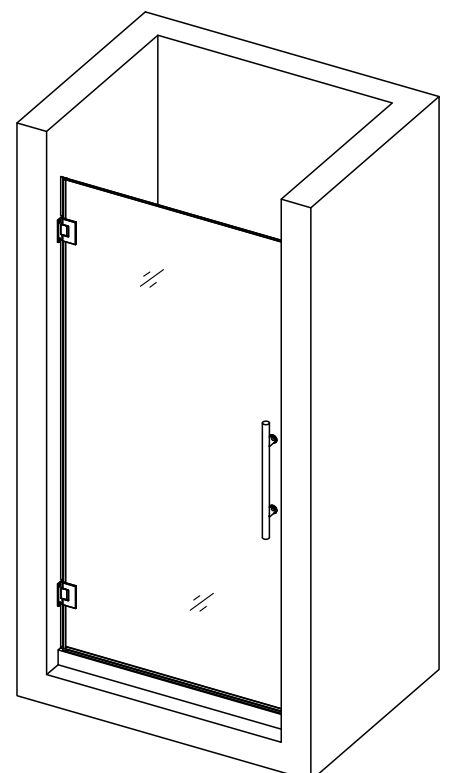


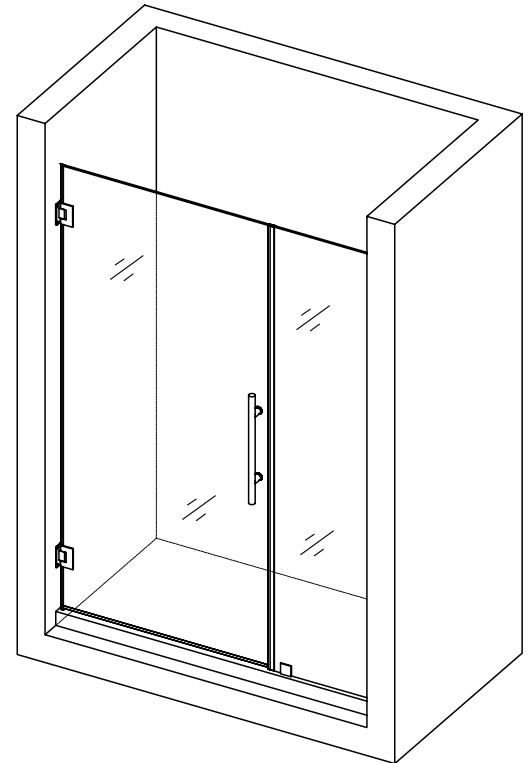
Figure 6



## Configuration 2

### Fixed Glass Assembly and Installation

**Note:** Use parts from **SIDE PANEL COMPONENTS** on page 5 for fixed glass assembly and installation.  
If you only order the glass door with hinges (LBSDE2472/LBSDE3072/LBSDE3672), you do not need to read this fixed glass installation instruction



7. Press the Fixed Glass (10) with attached Glass profile into the slot of Wall profile (9) Press the Anti-Water strip (8) on the vertical edge of the fixed glass. Install the Bottom Bracket (11) to the Fixed Glass.

See Fig. 7 for details.

**IMPORTANT:** Make sure that clear rubber gaskets are in between the glass door and the bracket plates.

**IMPORTANT:** Do not let any metal parts come into contact with the glass directly, which will damage the glass notches and cause scratches or damage to the Glass Door. If ignored, could result in serious injury or death.

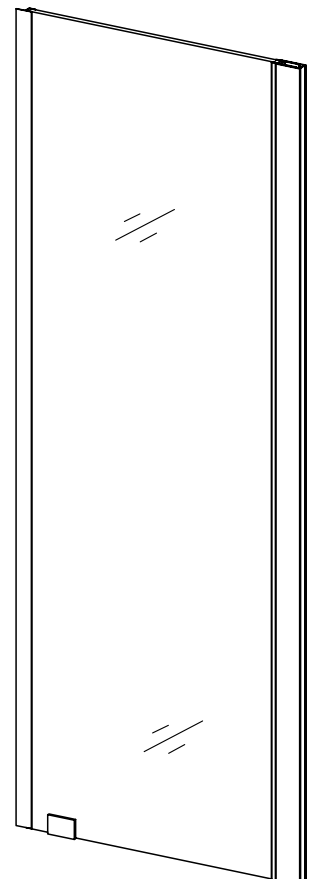
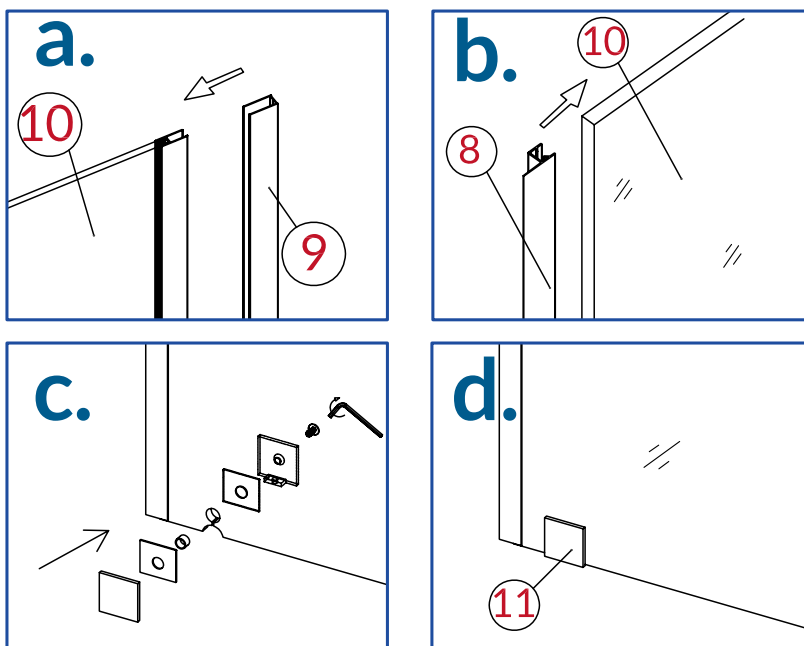
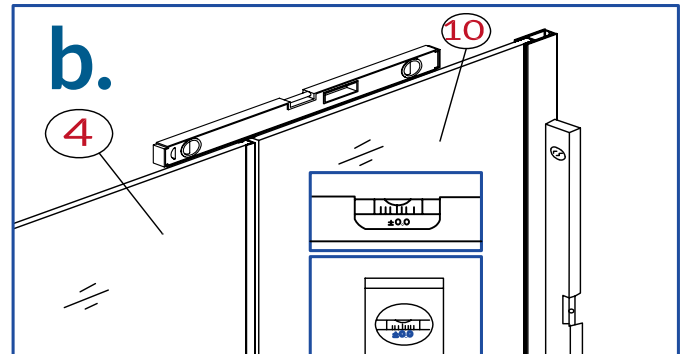
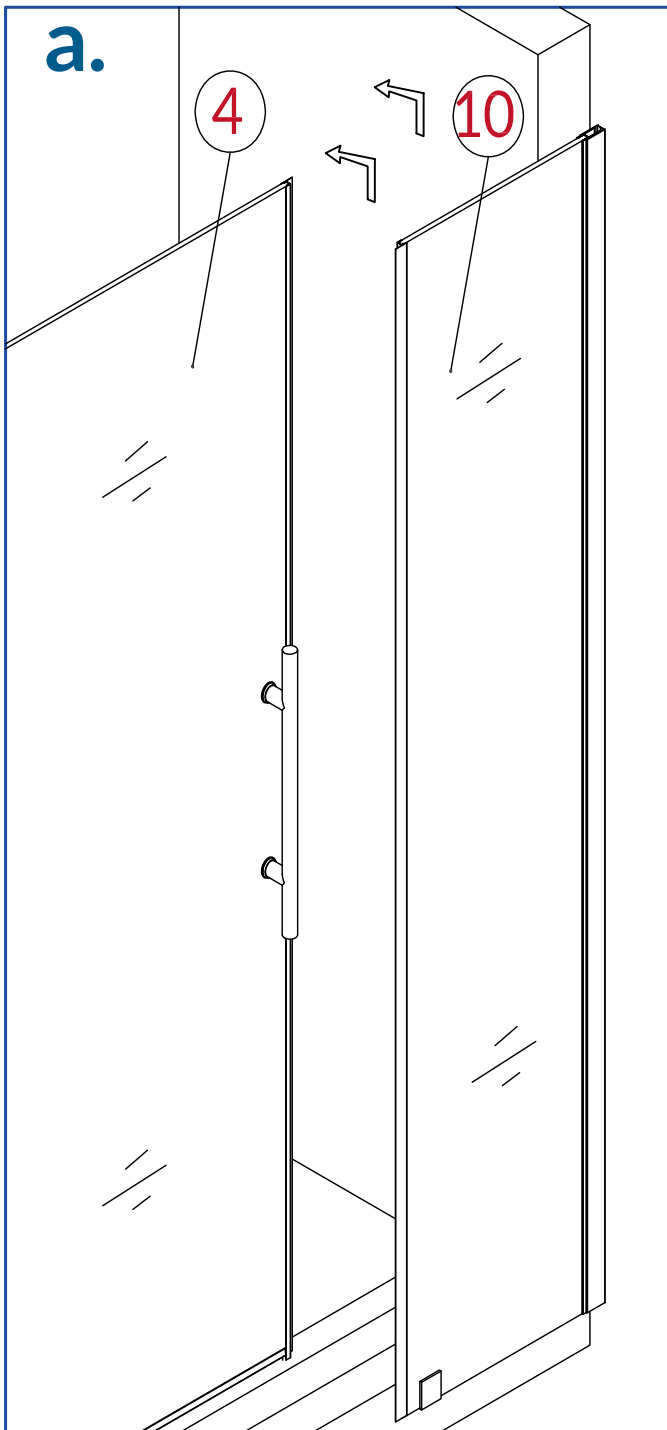


Figure 7

8. Push the Fixed Glass installed with profiles against the wall, align the Fixed Glass (10) with the Glass Door (4) and level it. Make sure the gap between the fixed glass and glass door. If needed adjust the position of the Fixed Glass by pulling out the fixed glass with glass profile from the slot of the wall profile or push the fixed glass with glass profile to the slot of the wall profile to make sure the Anti-water strips work well.

See Fig. 8 for details.



**C.** *Note: The fixed panel width can be adjusted by increasing or reducing the overlap between the glass profile and wall profile, there will be around 1" adjustment.*

**Example:**  
 Min W=8"  
 Max W=8"+1"=9"

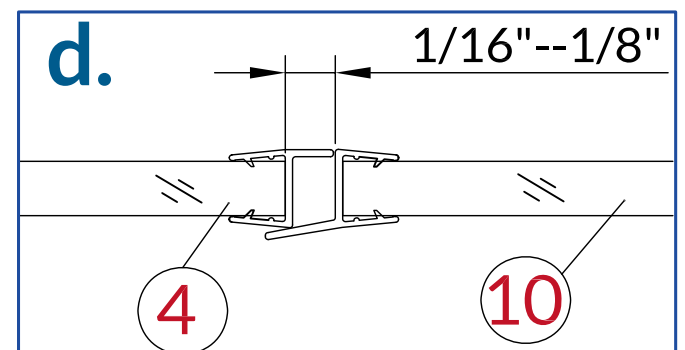
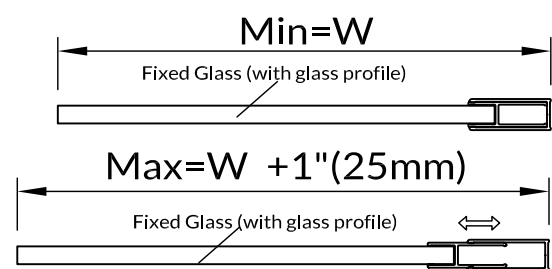
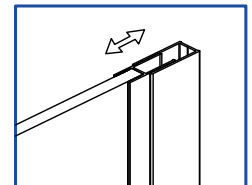
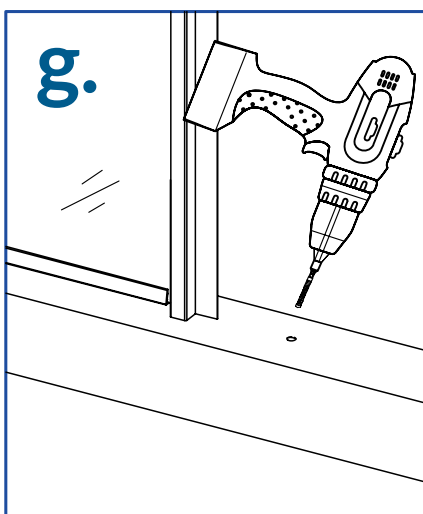
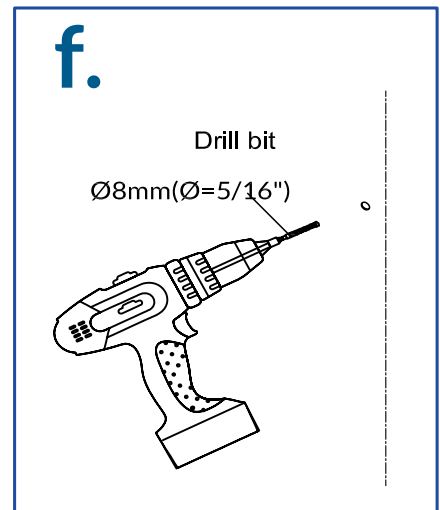
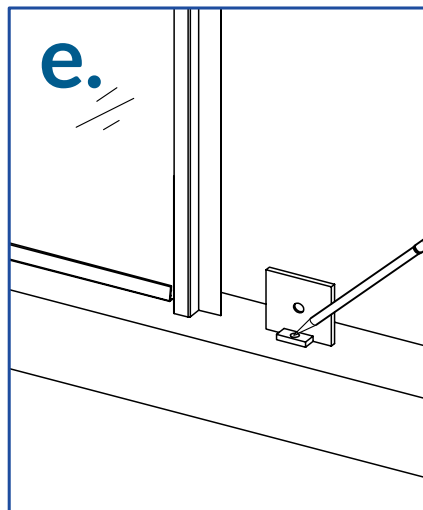
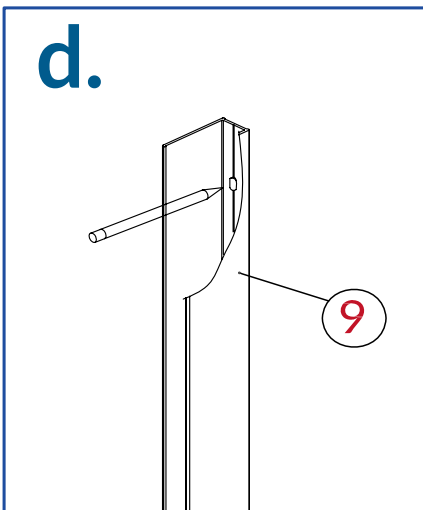
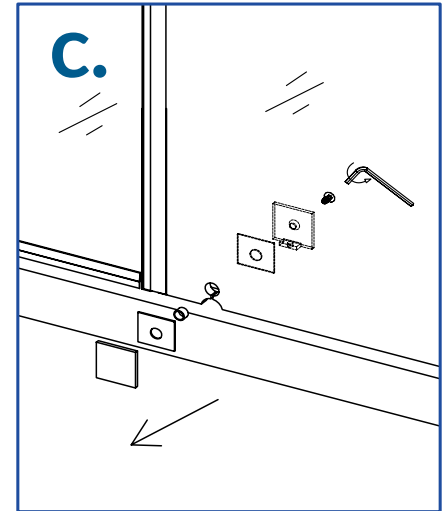
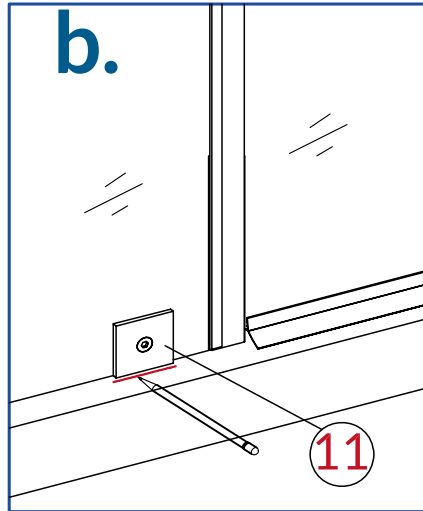
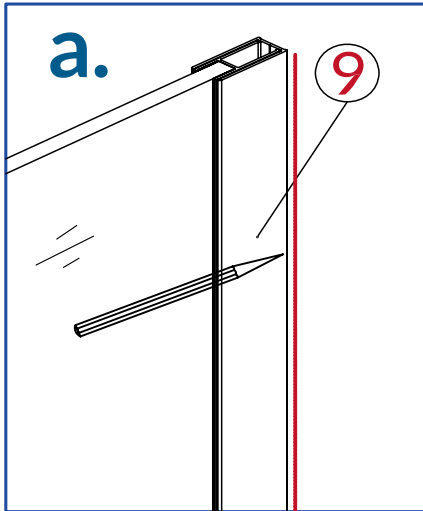


Figure 8



9. Draw a line along the Bottom Bracket (11) on the the shower tray or shower base. Draw a line along the inner edge of the Wall Profile (9) o the wall. Now set aside the fixed glass. Place the the rest Bottom Bracket (11) on the shower tray or shower base, mark the drilling holes with a pen or marker. Now drill the holes using  $\text{Ø}8\text{mm}(\text{Ø}=5/16\text{'})$  drill bit in the tray. Detach the Wall profile from the Fixed Glass (10) and the Glass profile assembly. Place the Wall profile to the outlined position and mark the drilling holes through the predrilled holes in the Wall profile. Now drill the holes using  $\text{Ø}8\text{mm}(\text{Ø}=5/16\text{'})$  drill bit in the wall. Apply silicone into the holes on the wall.

See Fig. 9 for details.

Figure 9

10. Insert the Wall anchors (15) into the holes and apply silicone along the Wall profile (9) and around the holes. Fasten the Wall profile to the wall with the Round head Screw M4×60 (16).

See Fig. 10 for details.

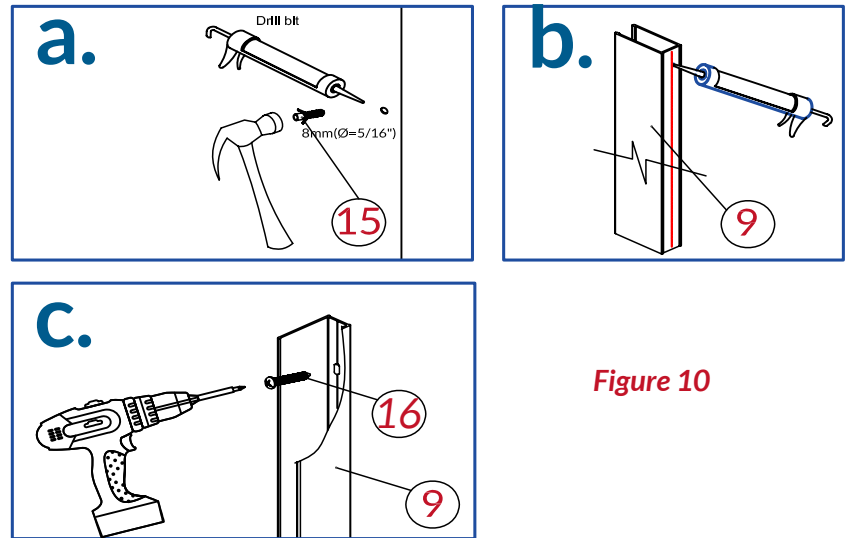


Figure 10

11. Fasten the Bottom Bracket to the shower tray or shower base with Screw M4×30 (13). Push the Fixed Glass (10) with the Glass profile back into the Wall profile (9). Adjust the Fixed panel (10) position to ensure that when the Glass door (04) is closed, there is a gap (1/16" - 1/8") between the two glass panels. Secure the Fixed panel in place, install the Bottom Bracket (11) to the Fixed Panel.

See Fig. 11 for details.

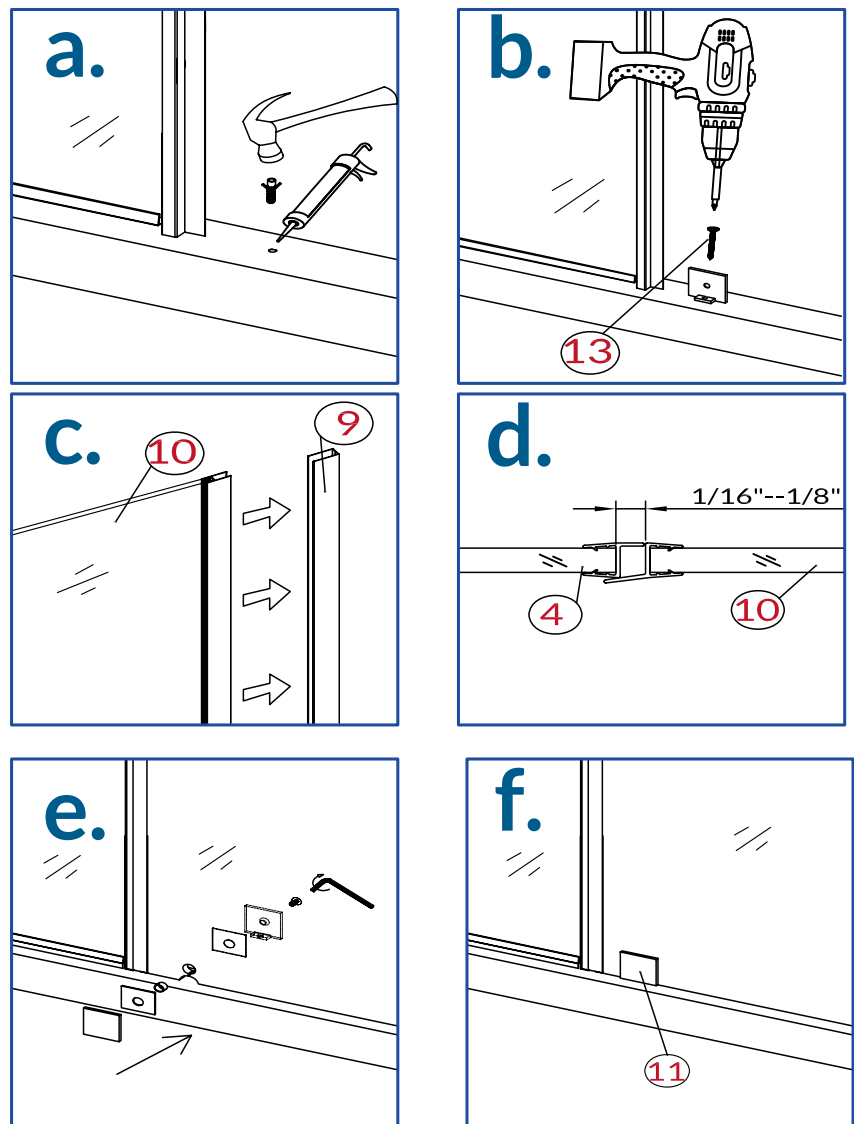


Figure 11

12. After final adjustments of the Assembled unit drill three holes in the Wall profiles (9) using Philip's type screwdriver only.

NOTE: You only need to drill through the first layer of the Glass Profiles. Use the Round head screws Self tapping screw M3.5X13 (12) to secure the Glass profiles inside of the Wall profiles. Cover the exposed screw holes with Screw Cover (14).

See Fig. 12 for details.

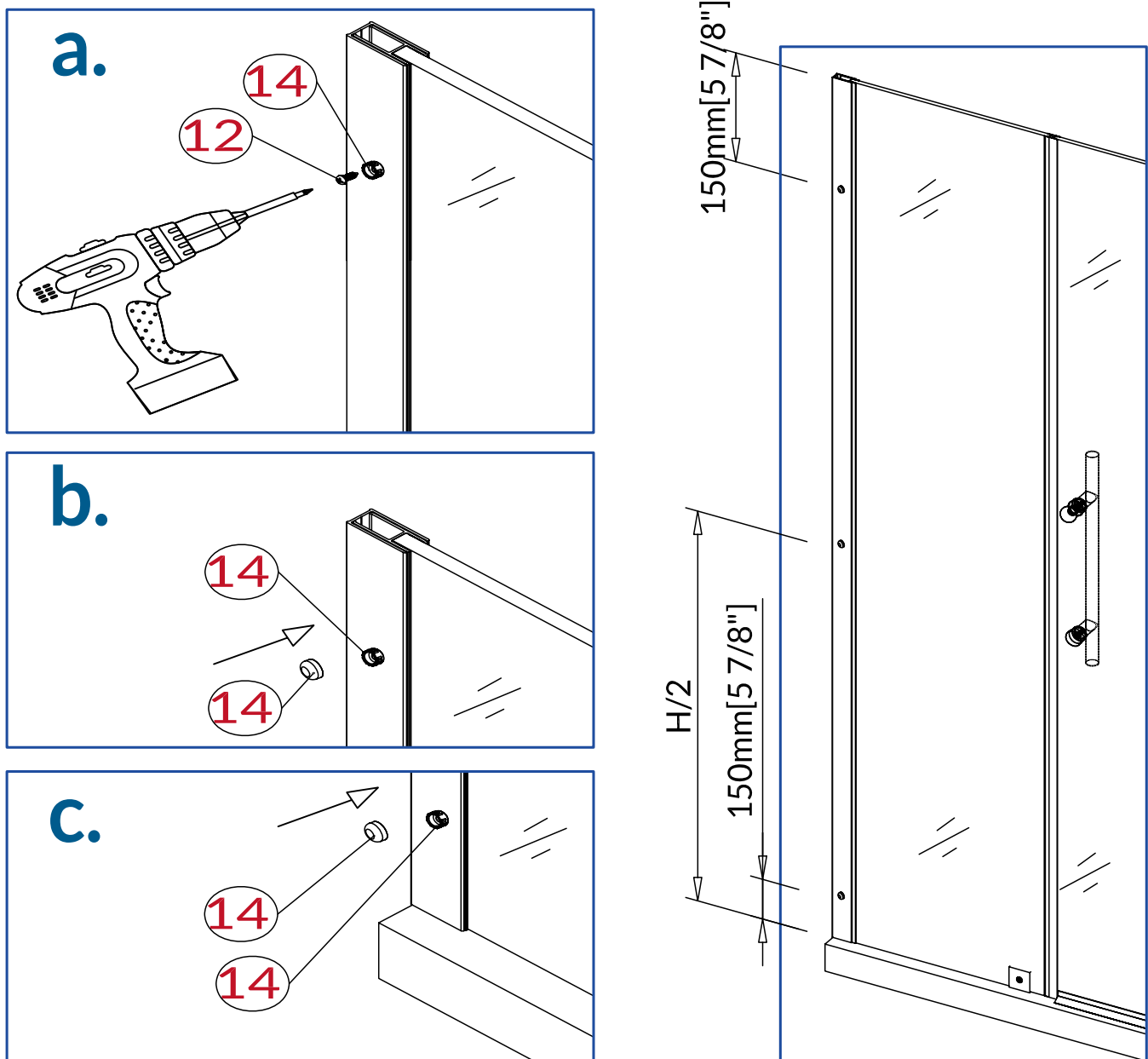
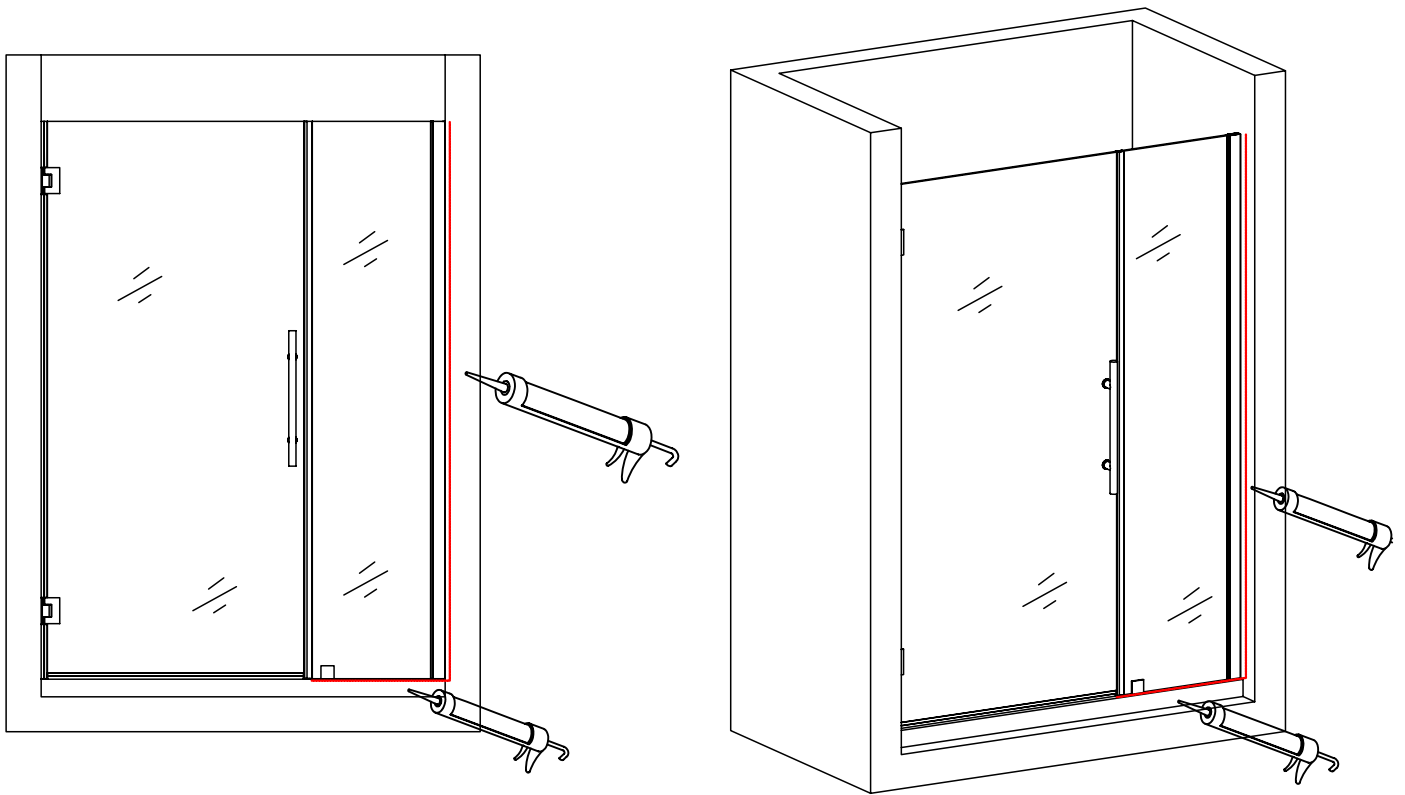


Figure 12



**Figure 13**

**13. Apply silicone between the tray or threshold. Also apply silicone between wall and the wall profiles.**

**See Fig. 13 for details.**

**WAIT 24 HOURS BEFORE USING THE SHOWER ENCLOSURE**



## Maintenance & Care

### IMPORTANT!

**DO NOT USE:** Abrasive cleaners such as: acid, ammonia, bleach, and similar solutions; or any types of baking soda cleaning solutions. Use of such solutions may cause corrosion, finish peeling, and/or dull the surface.

**DO NOT USE:** Abrasive sponges or cloth. Never use steel, wool, or wired brushes that will permanently scratch the surface.

After installation use the shower door for approximately 2-3 weeks or 20-25 times (whichever comes first). Be sure to re-inspect all screws, make sure they are tight and tighten them if necessary. Repeat this adjustments when necessary.

When opening and closing the glass door. Be sure not to slam it. Always, open or close the glass door gently. Never slam the shower door against glass shower enclosure panel or wall. Slamming the glass door will cause immediate shattering and will cause personal injury or death.

Never leave kids unattended. Be sure to explain safety rules and train kids how to use the shower door to prevent any injuries or death. It is very important to inform all family members living with you about this safety operation instructions.

Long lasting life is guaranteed while maintaining proper care of your shower door and/or enclosure. To prevent a build-up of soap, after each use, rinse the glass and wipe it with a glass squeegee and soft cloth material. Glass parts may be cleaned with designated cleaning solutions only. All hardware parts must be cleaned with designated cleaning solutions only. Hardware parts must be cleaned at least once a week. When applying stainless steel cleaner or polish, work with grain, not against grain.

**INSTALLATION OF LESSCARE PRODUCTS BY AN  
INEXPERIENCED INSTALLER MAY RESULT  
PERSONAL INJURY OR DEATH!**

LessCare is not responsible for local code compliance. Building and plumbing codes may vary from state-to-state in accordance to your location. LessCare is not responsible for providing any compliance certifications.

LessCare products must be installed by a fully insured and licensed professional only. Installation of any LessCare product by anyone other than fully insured and licensed professionals shall **void limited warranty**. LessCare recommends that such licensed professionals have experience in the installation of products. This limited warranty voids on any commercial installation.

**Retain these installation instructions for future reference!**



Thank you for using LessCare products!