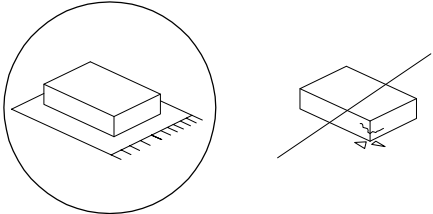

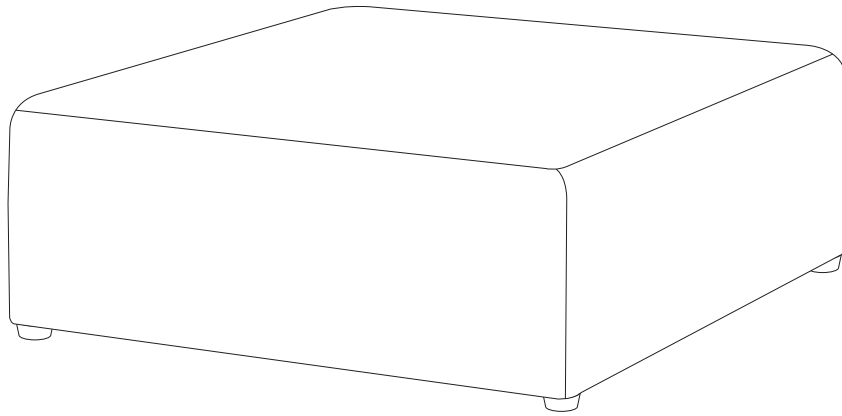

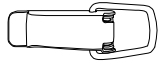
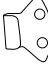
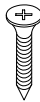

	<p>15'</p>
		
		<p>1</p>

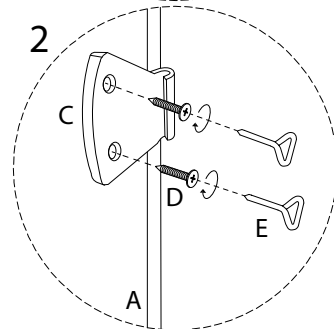
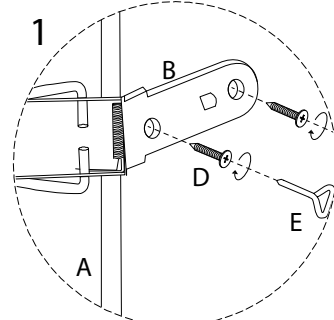
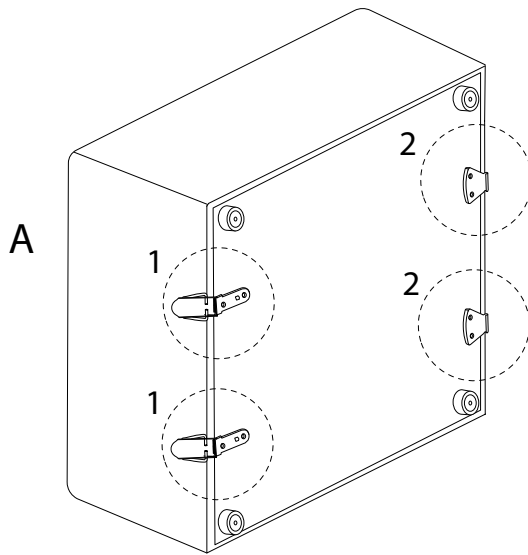
A



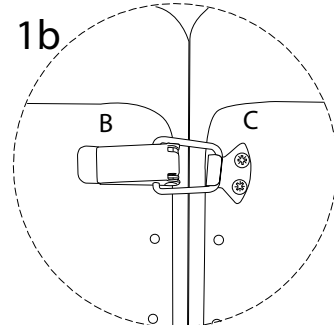
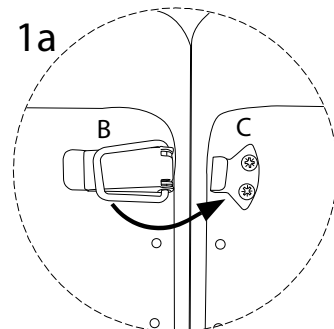
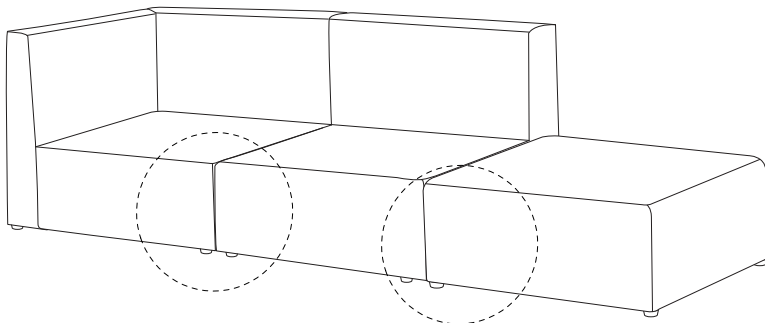
A	B	C	D	E
			<p>M4 x 20</p>	
x 1	x 2	x 2	x 8	x 1

1

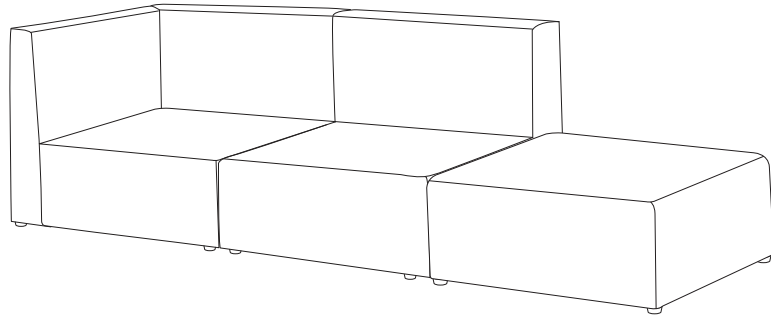
A  x 1	B  x 2	C  x 2	D M4 x 20  x 8	E  x 1
--	--	--	---	--



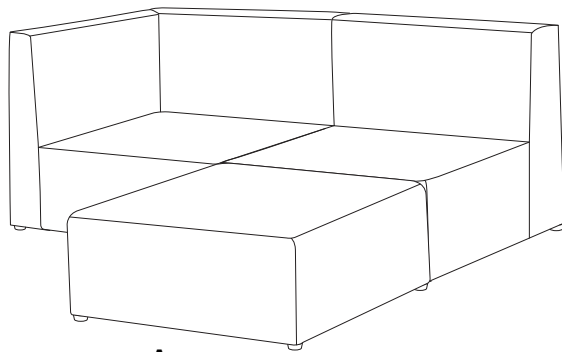
!



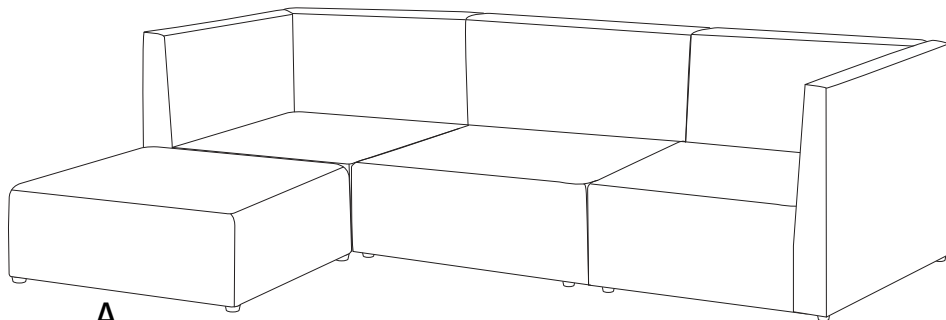
!



A



A



A