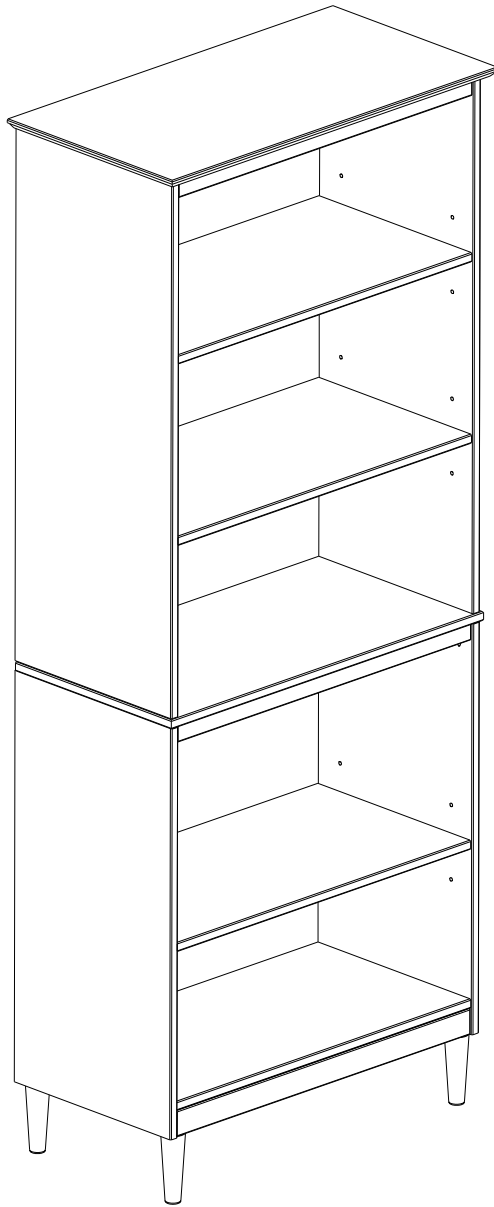
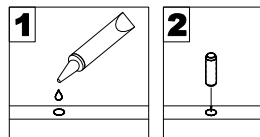


Assembly Instructions

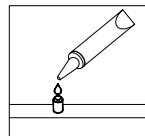


General Assembly Guidelines

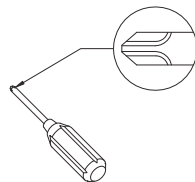
- I. Ensure that all parts and hardware are available before beginning assembly.
- II. Follow each step carefully to ensure the proper assembly of this product.
- III. Two people are recommended for ease in the assembly of this product.
- IV. The three main types of hardware used to assemble this product are wood dowels, screws and bolts.
- V. The provided glue is to secure wood dowels in place . When first inserting dowels , locate the appropriate hole for the dowel , place a small amount of glue in the hole and insert the dowel . Wipe away excess glue immediately.



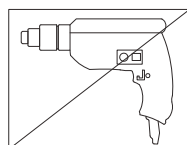
In future assembly steps when dowels are necessary to attach assembly parts together , place a small amount of glue on the end of the dowel before attaching parts together . Wipe away excess glue immediately.



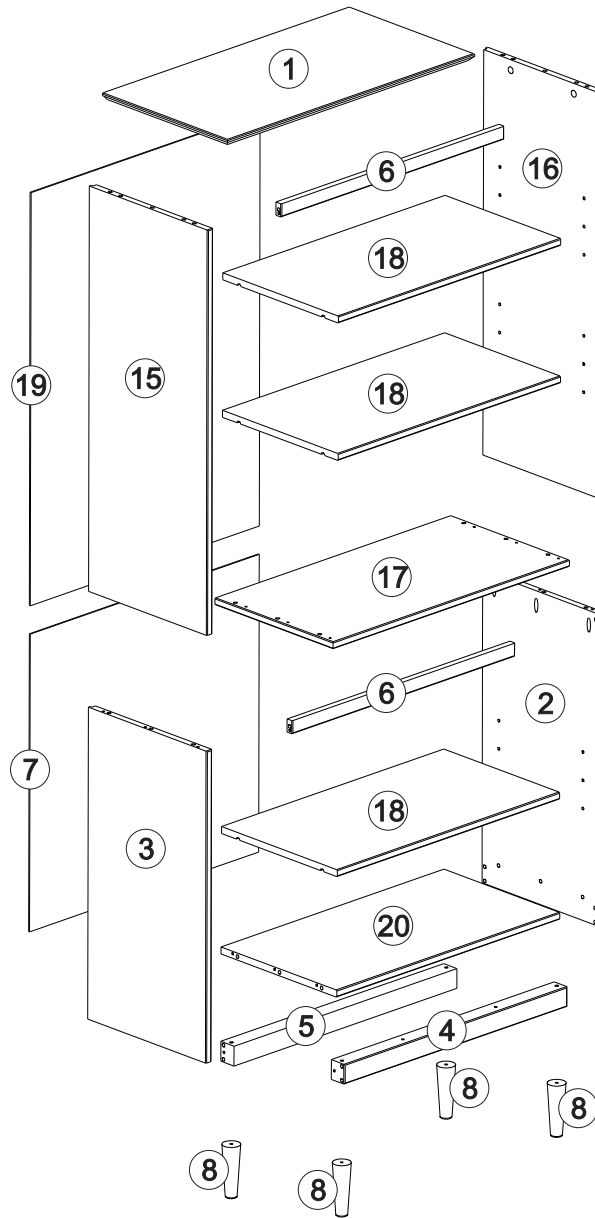
- VI. A Phillips head screwdriver is required for the assembly of this product.



- VII. Power tools should not be used to assemble this product.







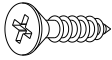
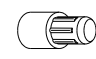
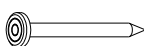

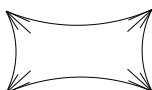
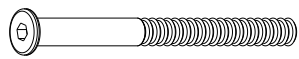



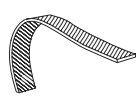
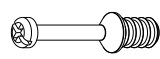


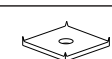
Parts List

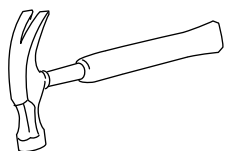


Part#	Description	Qty
1	Top panel	01 pcs
2	Right side low	01 pcs
3	Left side low	01 pcs
4	Bottom front crossbeam	01 pcs
5	Back crossbeam	01 pcs
6	Upper front crossbeam	02 pcs
7	Back panel low	01 pcs
8	Foot	04 pcs

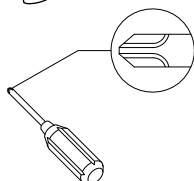
Part#	Description	Qty
15	Left side up	01 pcs
16	Right side up	01 pcs
17	Middle base	01 pcs
18	Move shelf	03 pcs
19	Back panel up	01 pcs
20	Base	01 pcs

Hardware List

A		Ø8*30mm	Wooden dowel	24 pcs
B		Ø8*50mm	Wooden dowel	06 pcs
C		Ø3,5*40mm	Screw	06 pcs
D		Ø3,5*30mm	Screw	24 pcs
E		Ø3,5*14mm	Screw	08 pcs
F			Support	12 pcs
G		Ø10*10	Nail	32 pcs
H			Corner	04 pcs
I			Glue	01 pcs
J		Ø7*90mm	Screw	04 pcs
K			Allen key	01 pcs
L			Washer	02 pc
M		Ø6mm		01 pc
N			Wall anchor	01 pc
O				04 pcs
P				04 pcs
Q				04 pc
R				04 pc



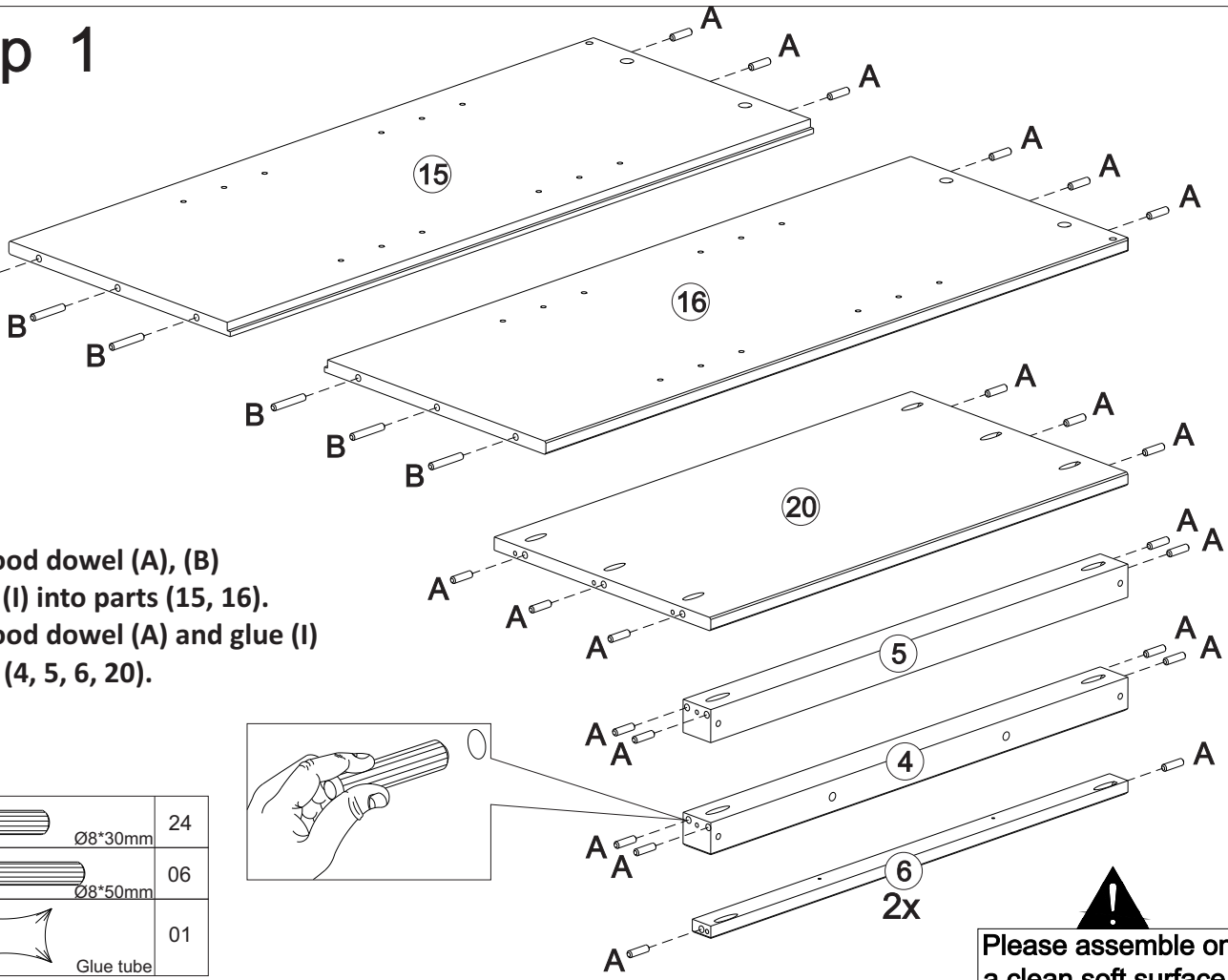
Hammer recommended for assembly
(not included)



Philips head screwdriver required for assembly
(not included)

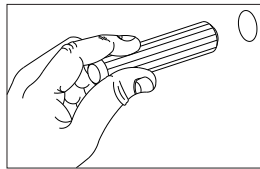
*The hardware quantities listed above are required for proper assembly.
Some extra hardware may also have been included.*

Step 1



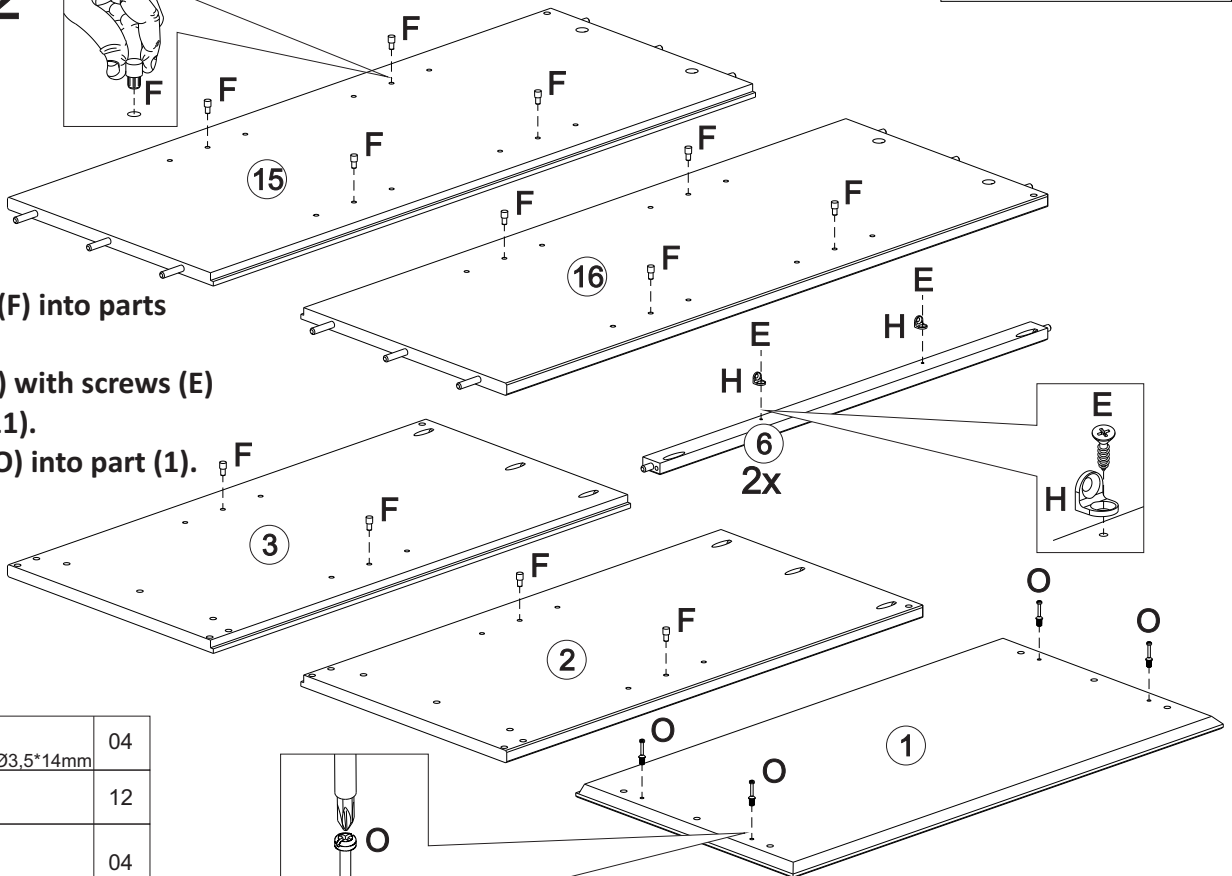
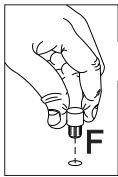
Insert wood dowel (A), (B) and glue (I) into parts (15, 16).
 Insert wood dowel (A) and glue (I) into part (4, 5, 6, 20).

A		Ø8*30mm	24
B		Ø8*50mm	06
I		Glue tube	01



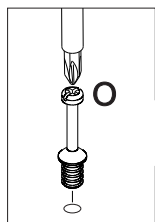
!
 Please assemble on a clean soft surface to avoid damage.

Step 2

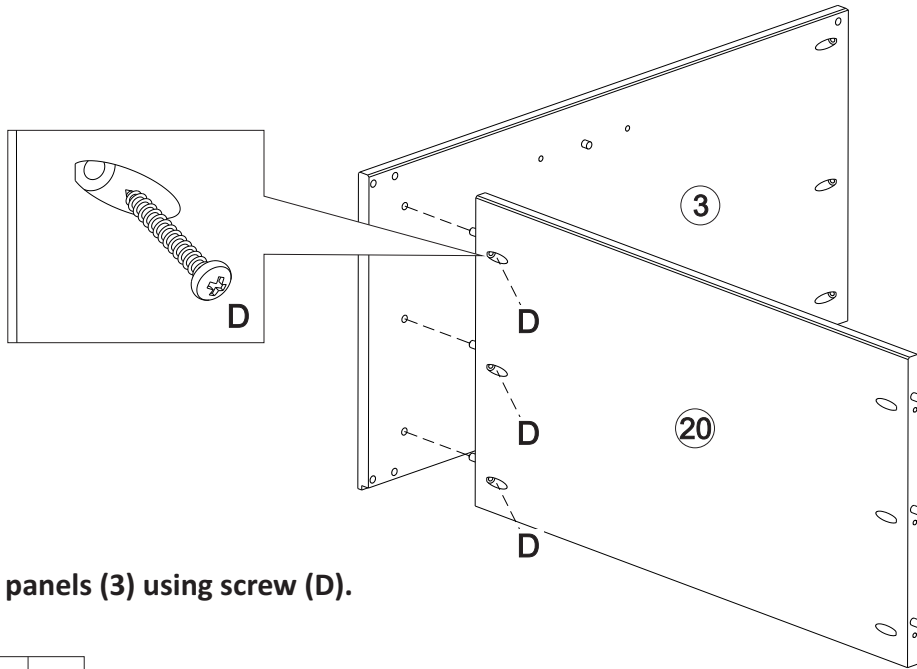


Insert Support (F) into parts (2, 3, 15, 16).
 Use support (H) with screws (E) to part (6, 10, 11).
 Insert minifix (O) into part (1).

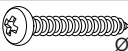
E		Ø3,5*14mm	04
F			12
H			04
O			04



Step 3

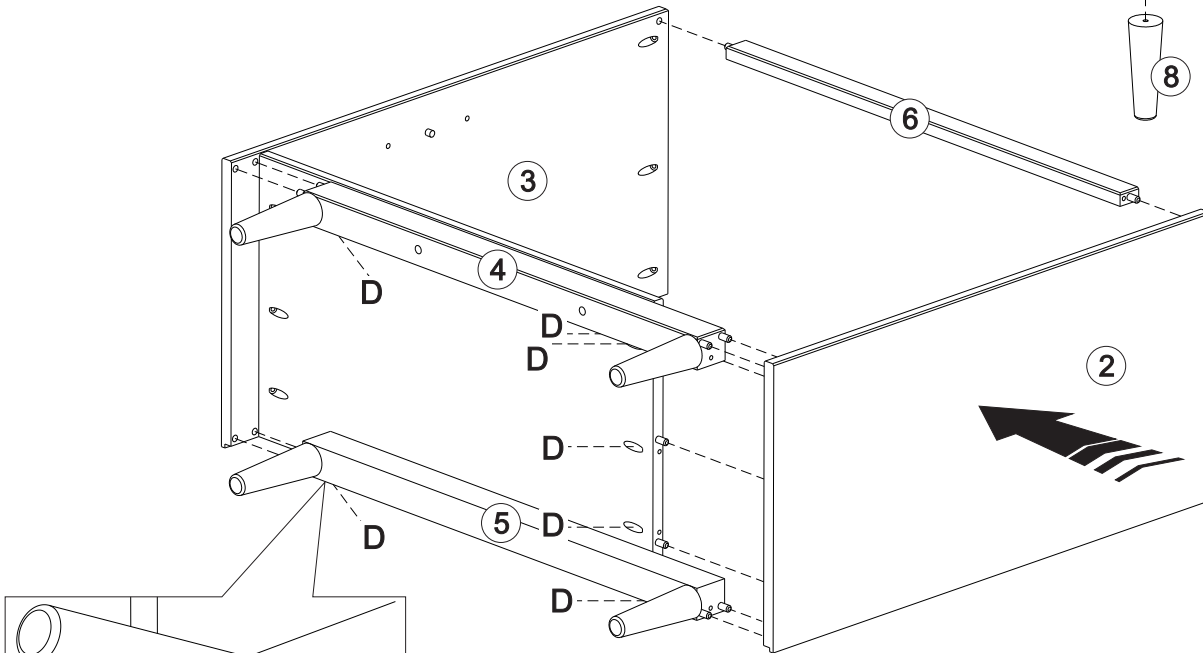
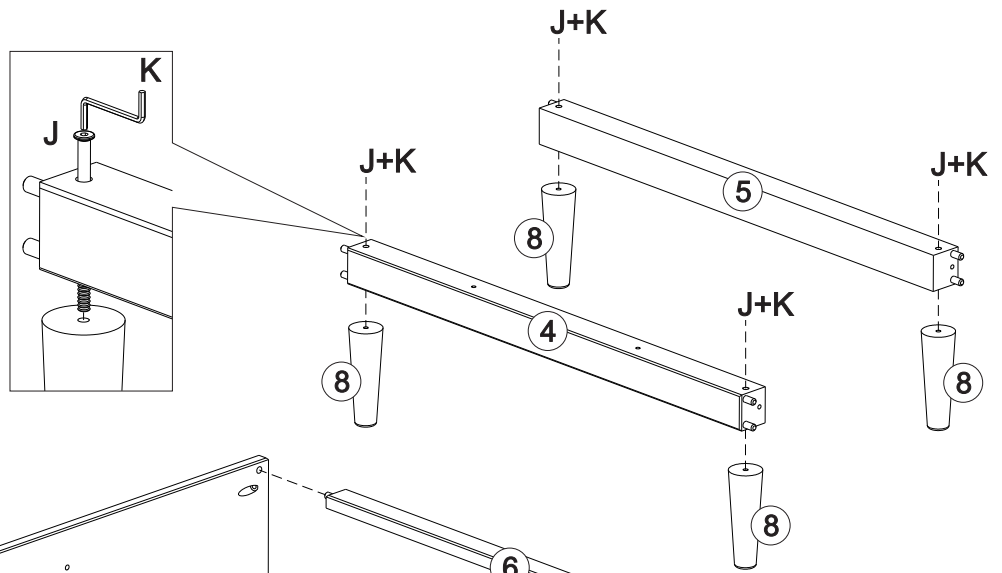


Secure base (20) to panels (3) using screw (D).


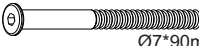

D		03
$\varnothing 3,5 \times 30\text{mm}$		

Step 4

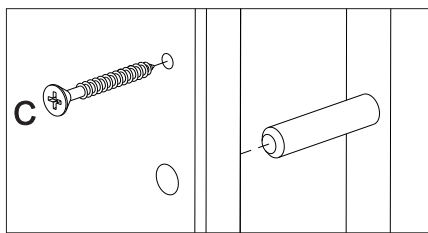
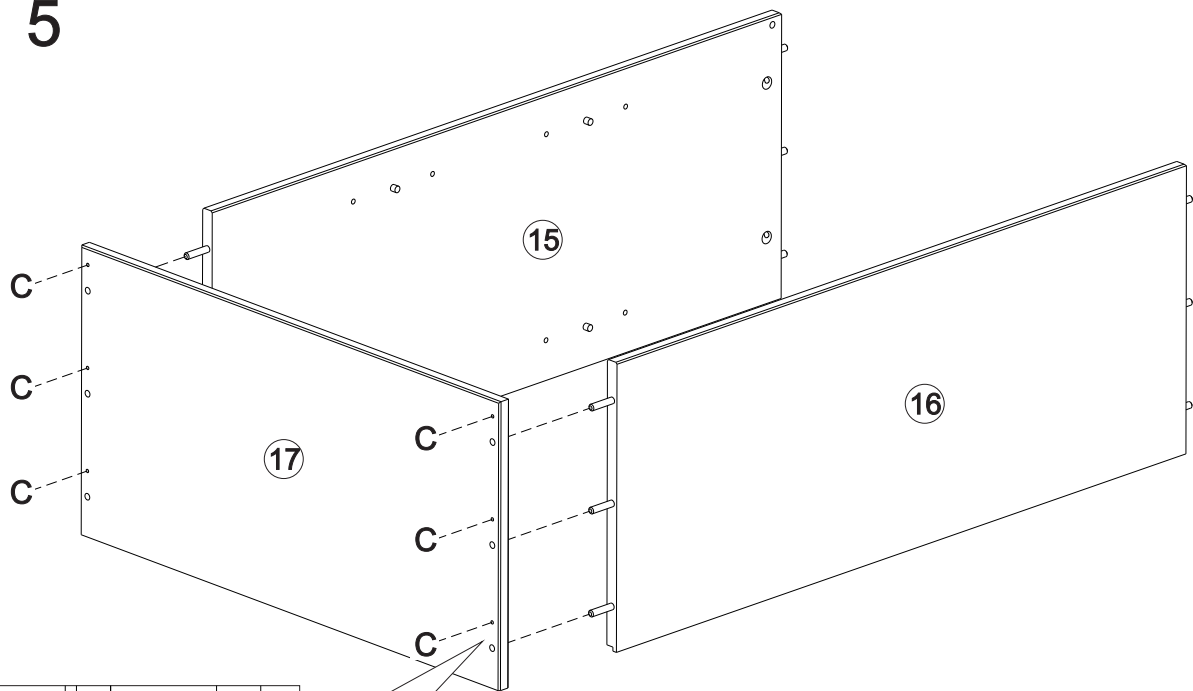
Use screw (J) to attach part (4, 5) to part (8) and key (K).




Secure front crossbeam (4, 5, 6) to panels (2, 3) using screw (D).

D		07
$\varnothing 3,5 \times 30\text{mm}$		
J		04
$\varnothing 7 \times 90\text{mm}$		
K		01
Allen key		

Step 5

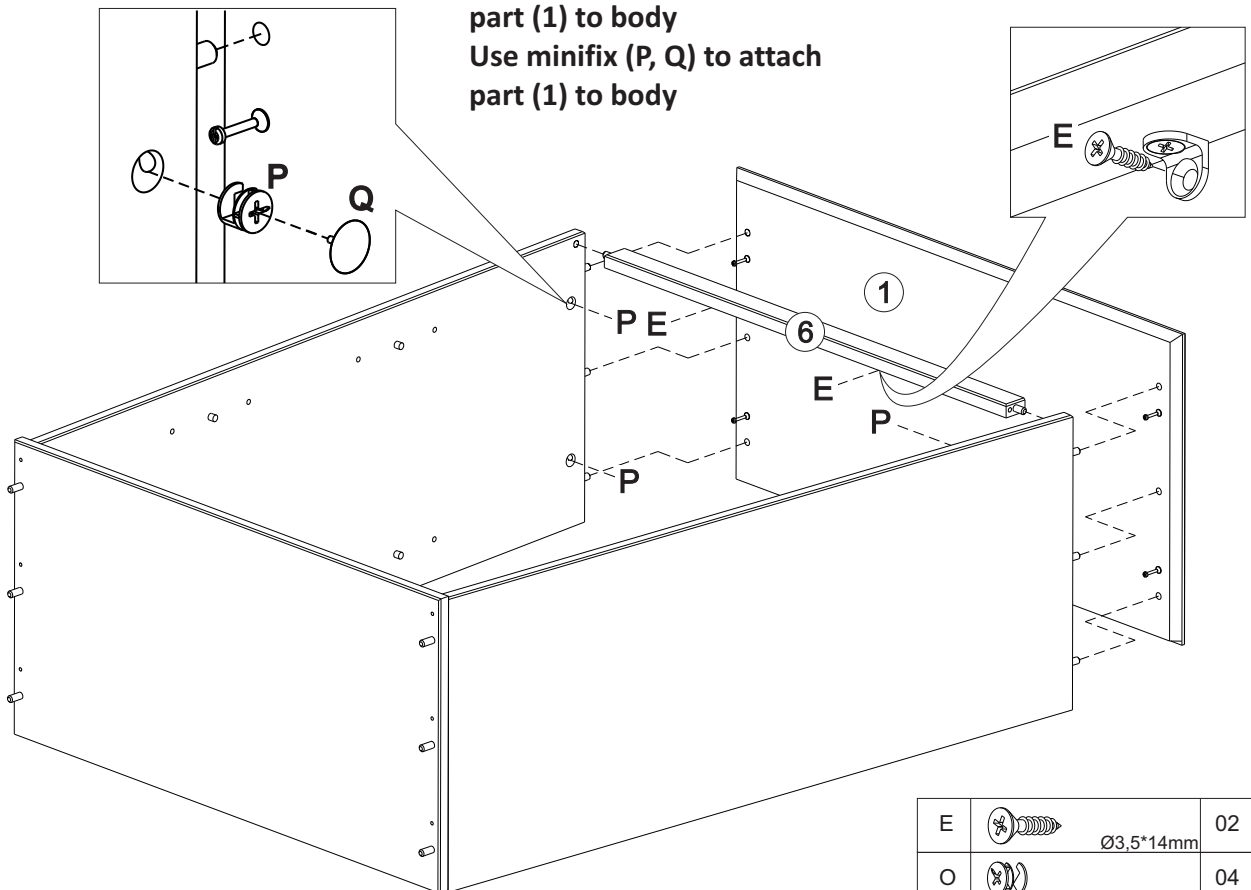





Secure middle base (17) to panels (15, 16) using screw (C).

C		06
Ø3,5*40mm		

Step 6

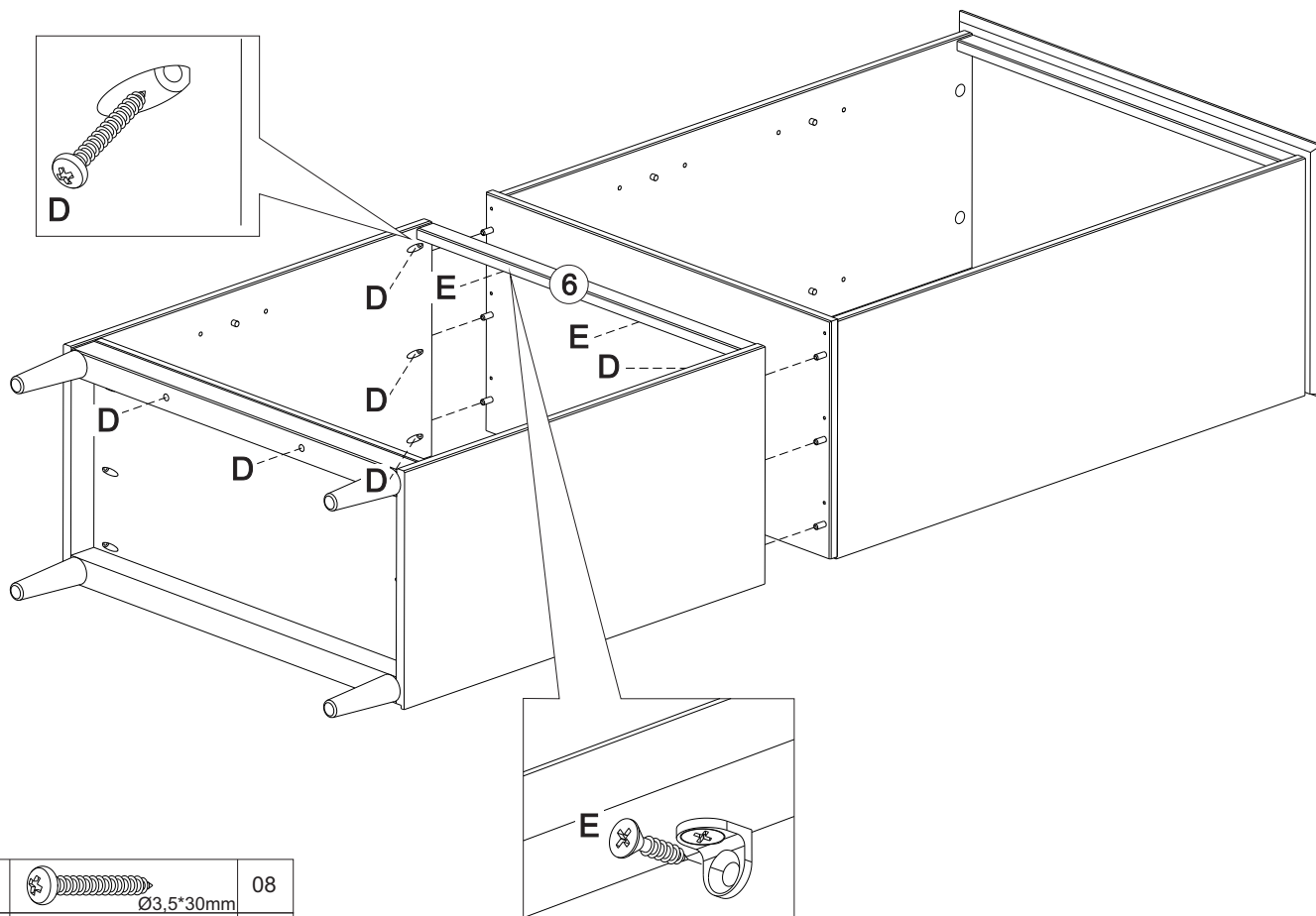
Use screw (E) to attach part (1) to body
Use minifix (P, Q) to attach part (1) to body





E		02
Ø3,5*14mm		
O		04
Q		04

Step 7

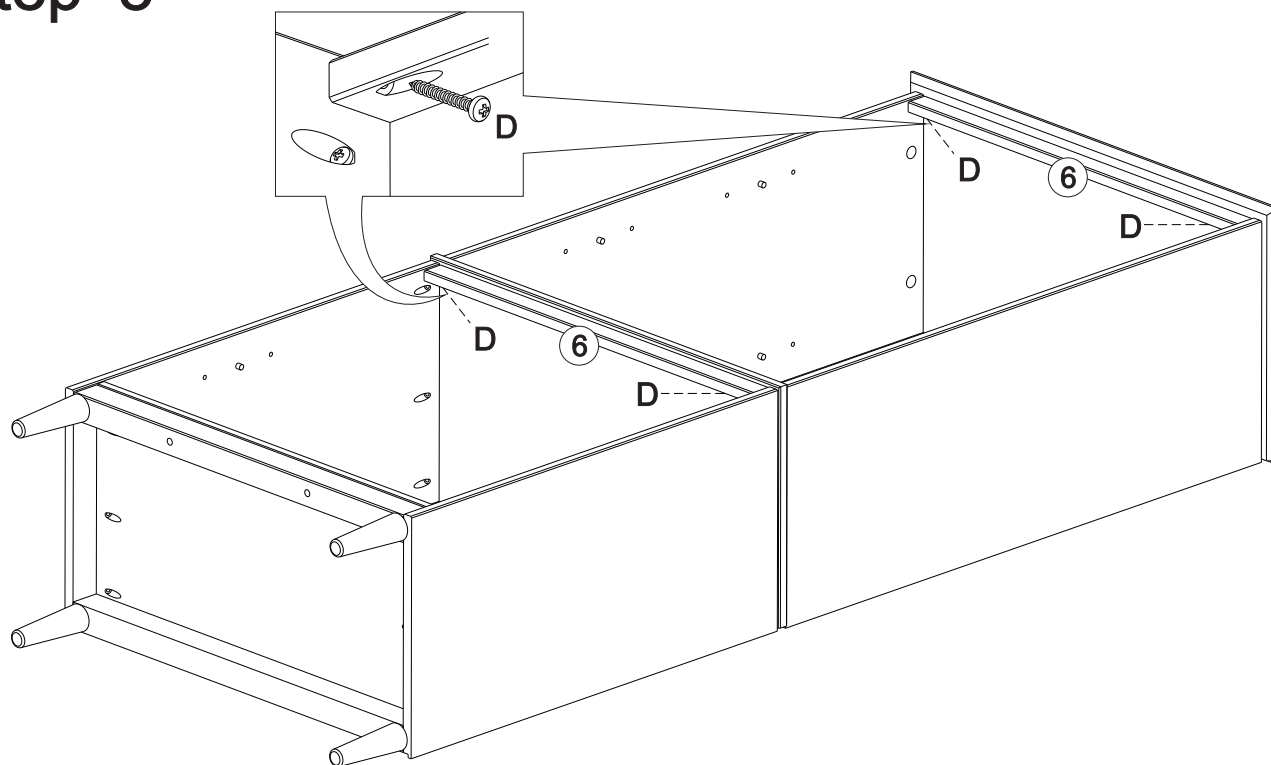
Use the screw (D, E) to assemble the bodies




D		08
E		02

Step 8

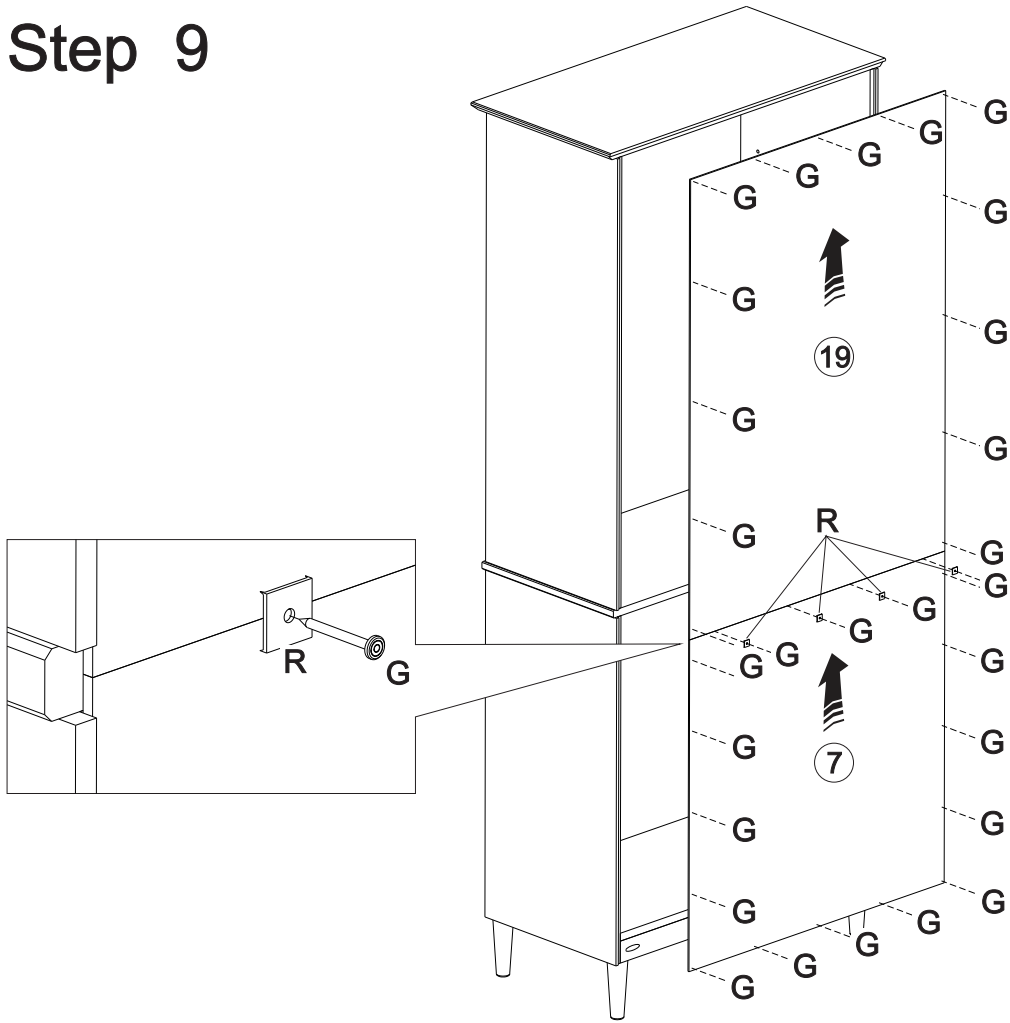
Use screw (D) to attach part (6) to body




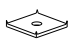
D		04
---	---	----

Two people are required to lift the furniture.

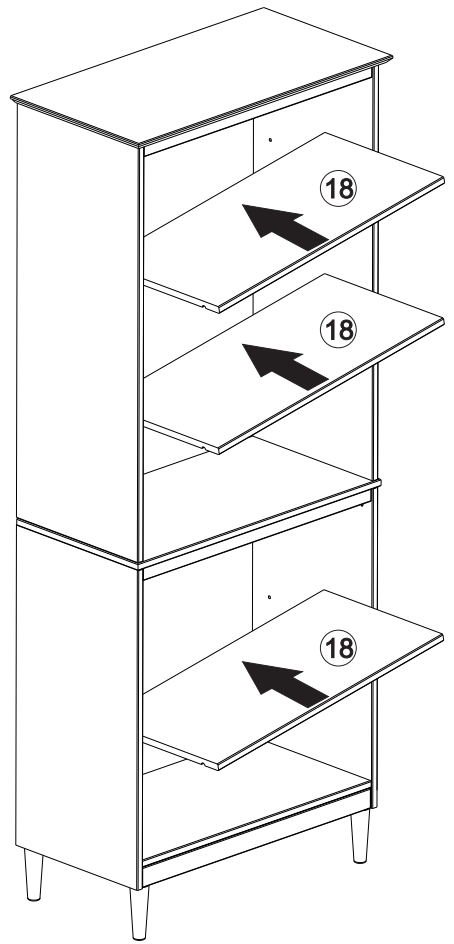
Step 9



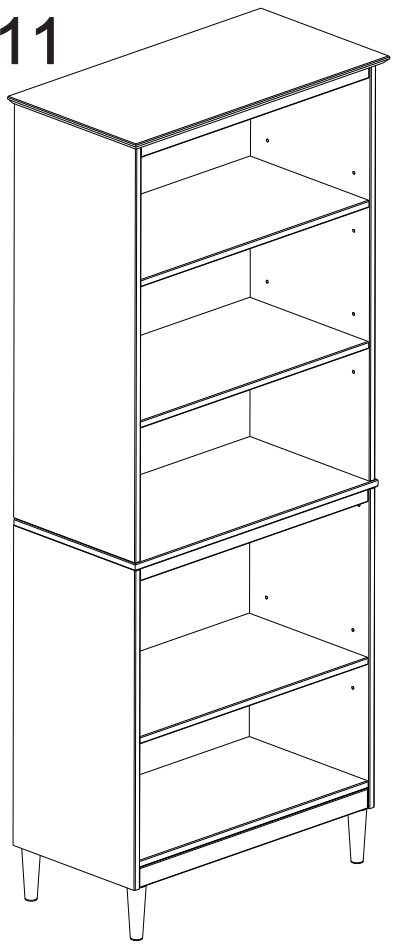
First secure the back panel (19) with part (G) and then secure the back panel (7) with part (G).
 After back panels are fixed, use (R+G) to fix back panels in the middle base (17).

G		Ø10*10	32
R			04

Step 10



Step 11

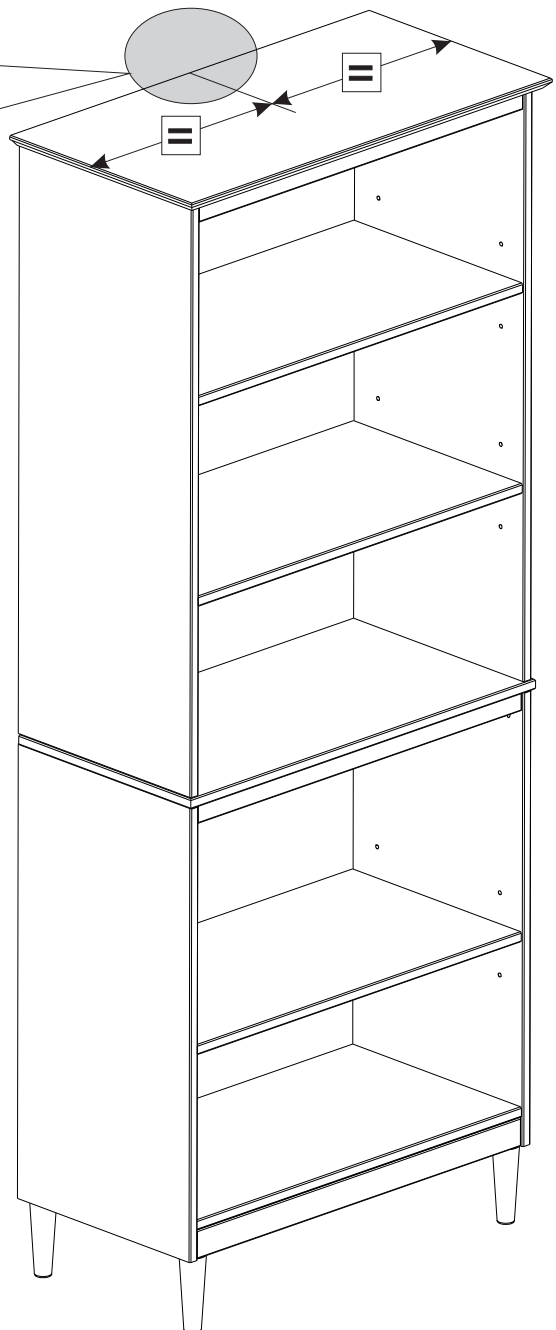
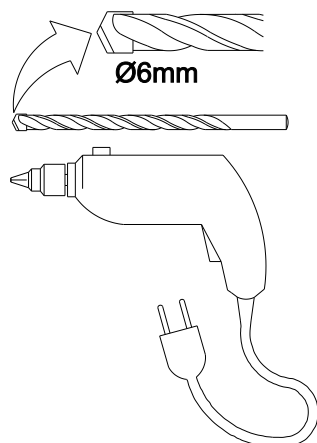
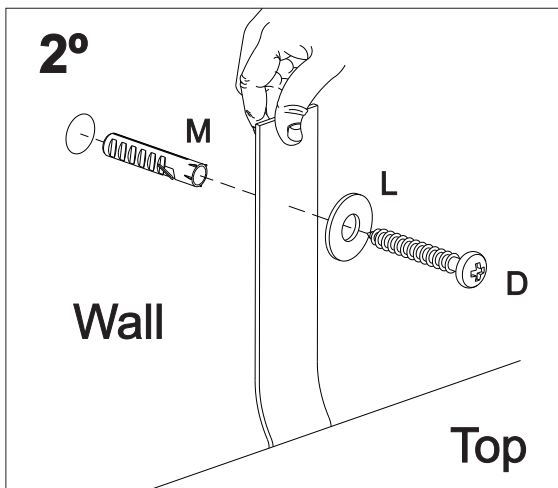
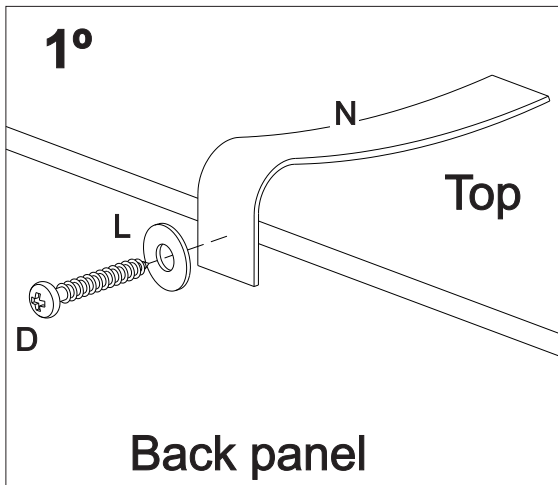






Assembly Complete!

WARNING

Serious or fatal injuries can occur from furniture tipping over. To prevent the furniture from tipping over we recommend that it is permanently fixed to the wall.

Wall anchor and hardware are included with this product. Please make sure hardware is suitable for your walls before installing, as different wall materials may require different types of anchors.



D	 Ø3,5*30mm	02
L		02
M	 Ø6mm	01
N		01