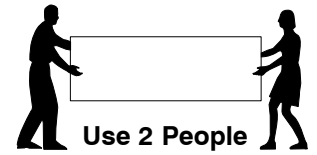
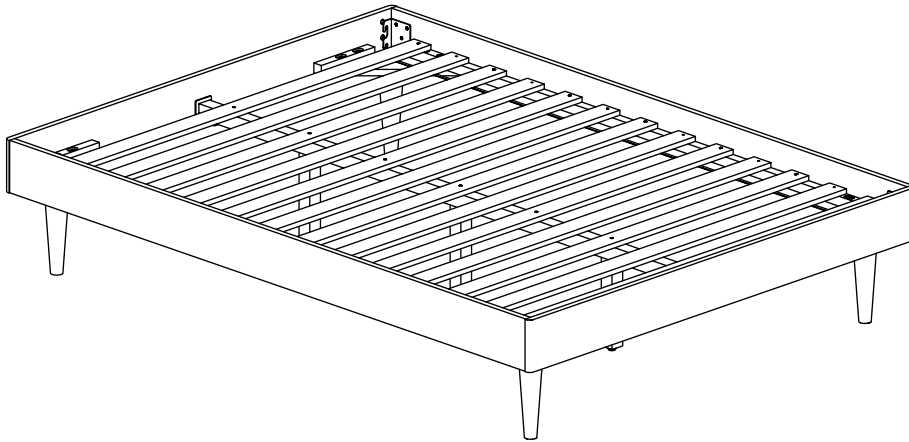


# Full Bed

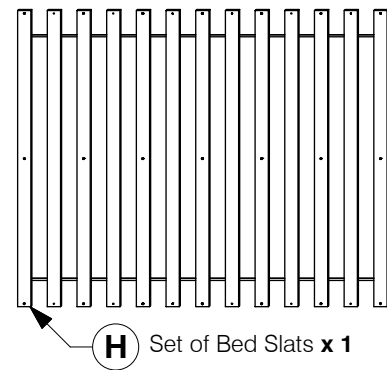
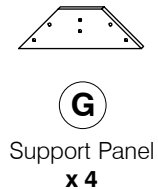
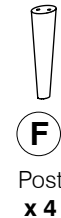
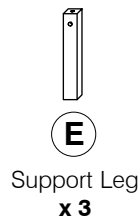
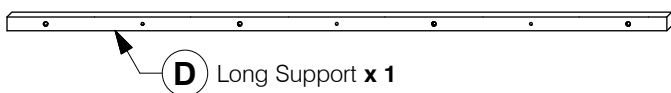
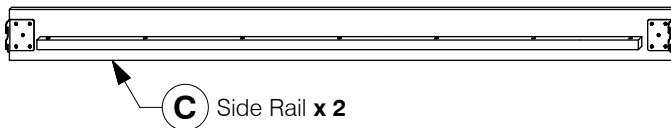
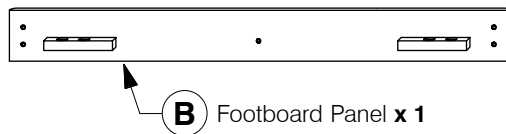
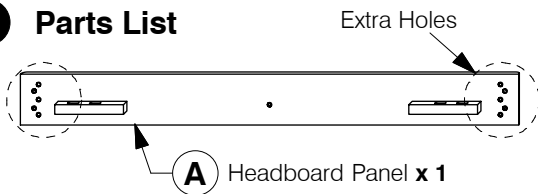
## Assembly Instructions

### 1 Assembled View

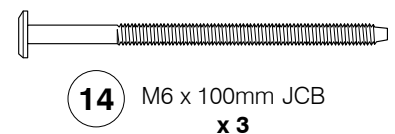
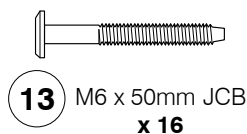
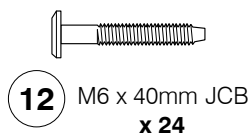
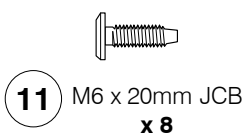
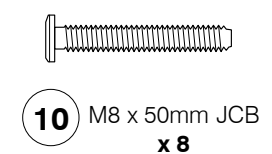
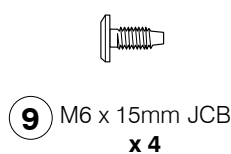
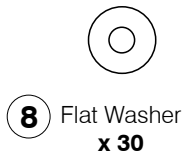
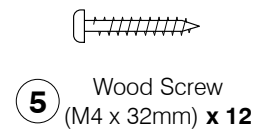
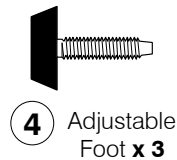
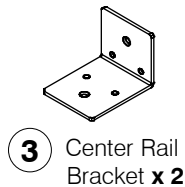
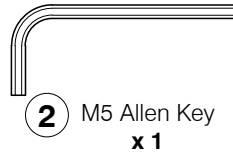
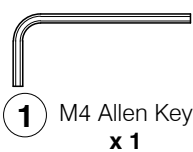


**Note:** Do not assemble using power tools. This can cause the bolts to be overtightened

### 2 Parts List



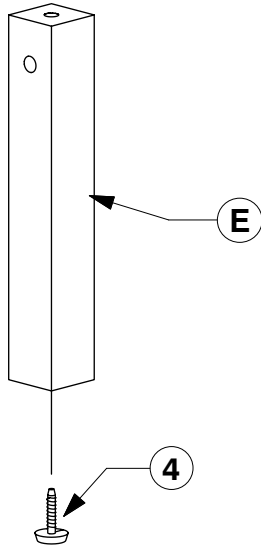
### 3 Hardware List



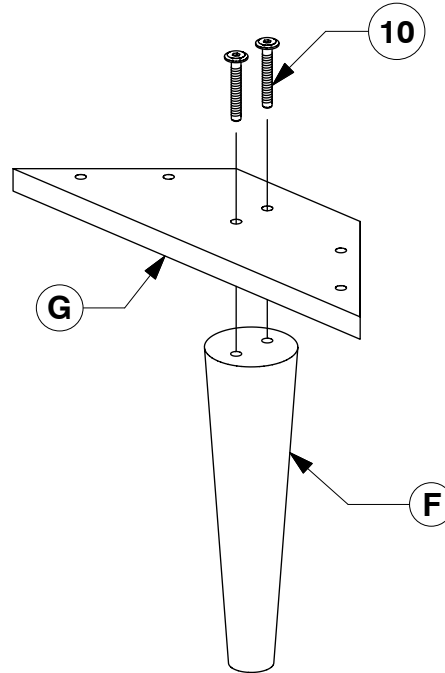
# Full Bed

## Assembly Instructions

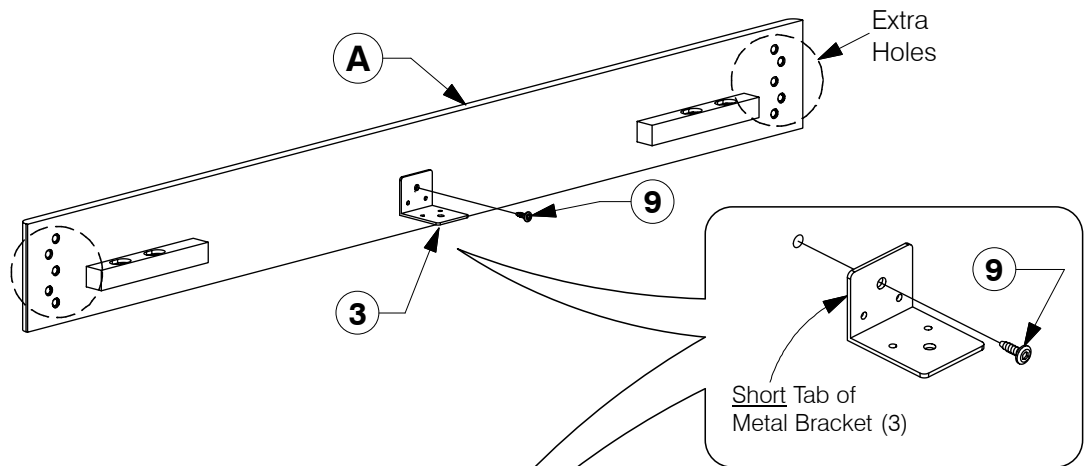
- 4** Fix the Adjustable foot to the bottom of the Support Leg (E).



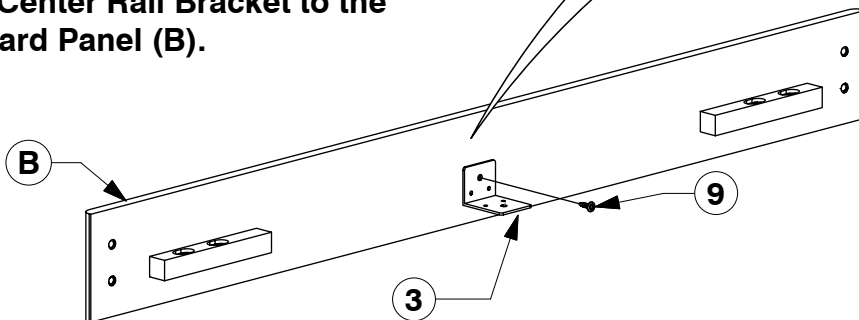
- 5** Fit the Post (F) to the Support Panel (G).



- 6** Fit the Center Rail Bracket to the Headboard Panel (A).



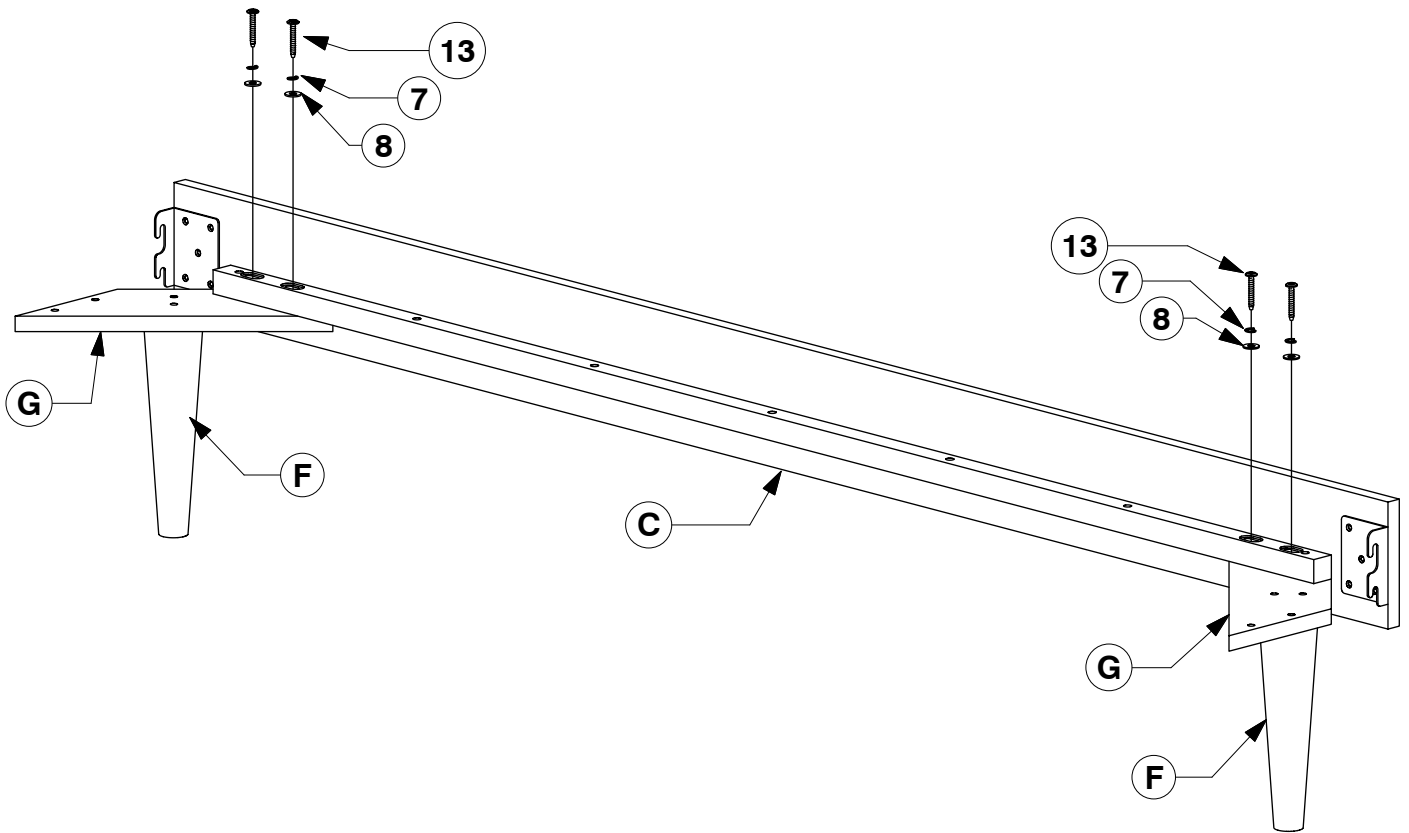
- 7** Fit the Center Rail Bracket to the Footboard Panel (B).



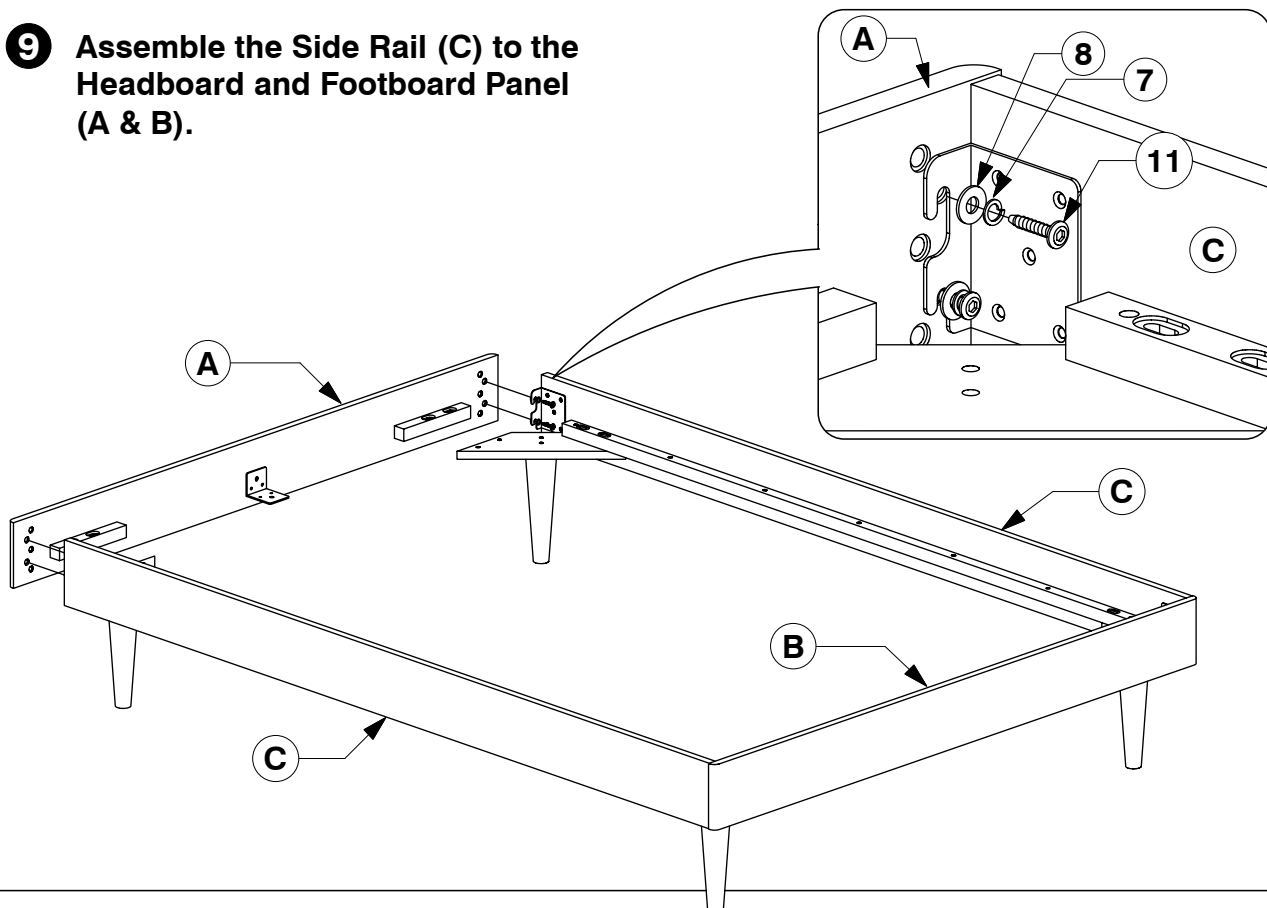
# Full Bed

## Assembly Instructions

- 8** Bolt the assembled Support Panel (G) to the Side Rail (C).



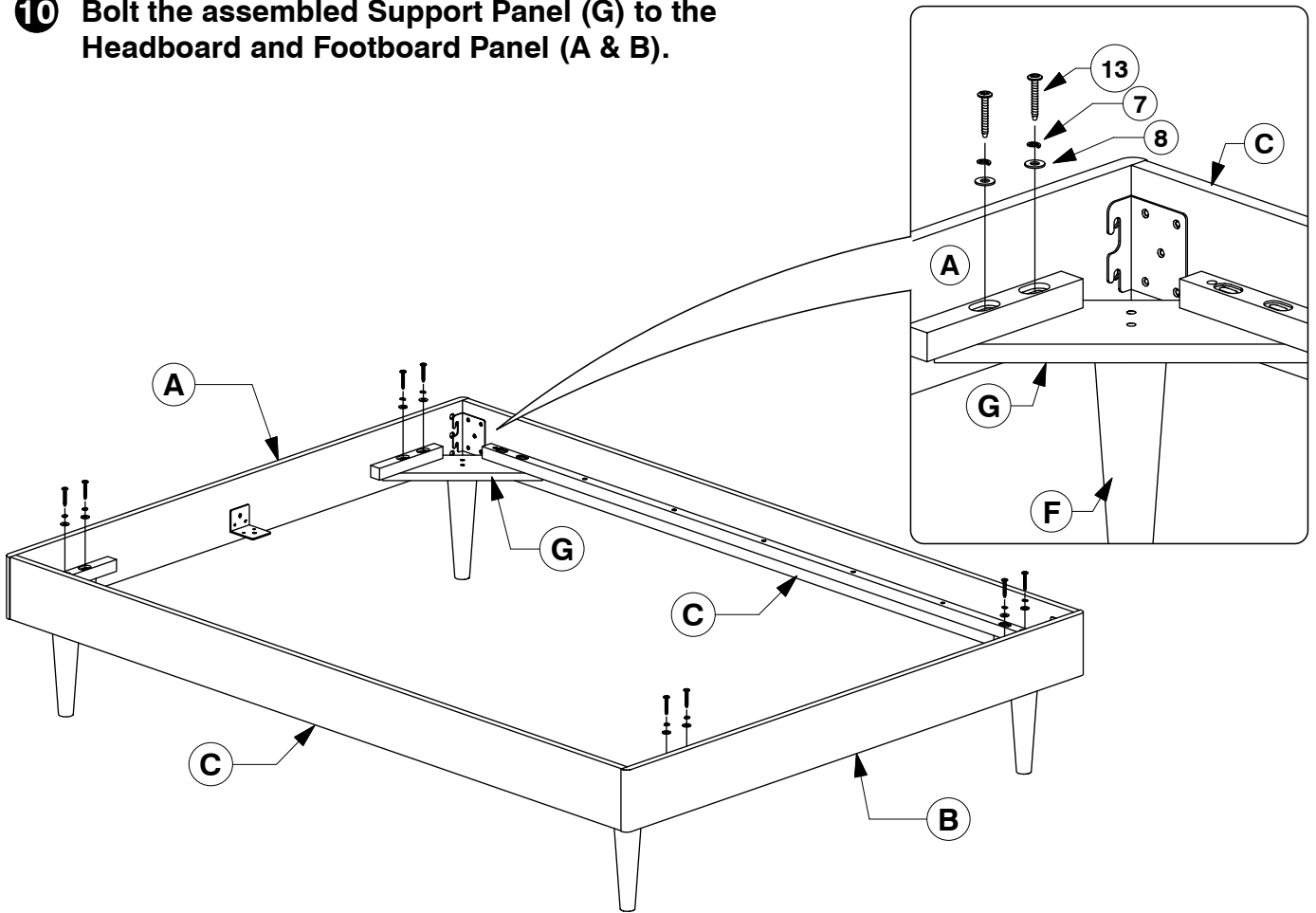
- 9** Assemble the Side Rail (C) to the Headboard and Footboard Panel (A & B).



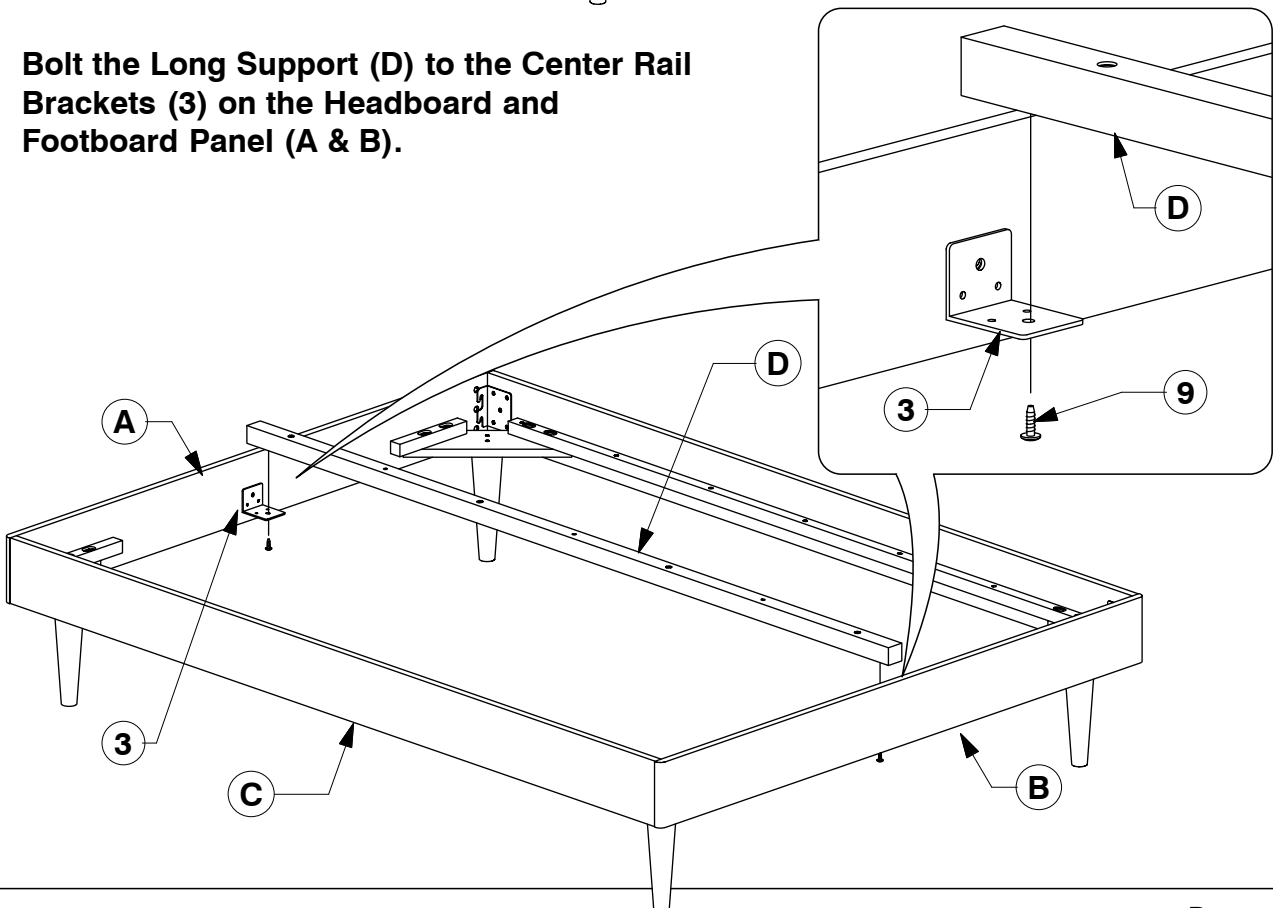
# Full Bed

## Assembly Instructions

- 10** Bolt the assembled Support Panel (G) to the Headboard and Footboard Panel (A & B).



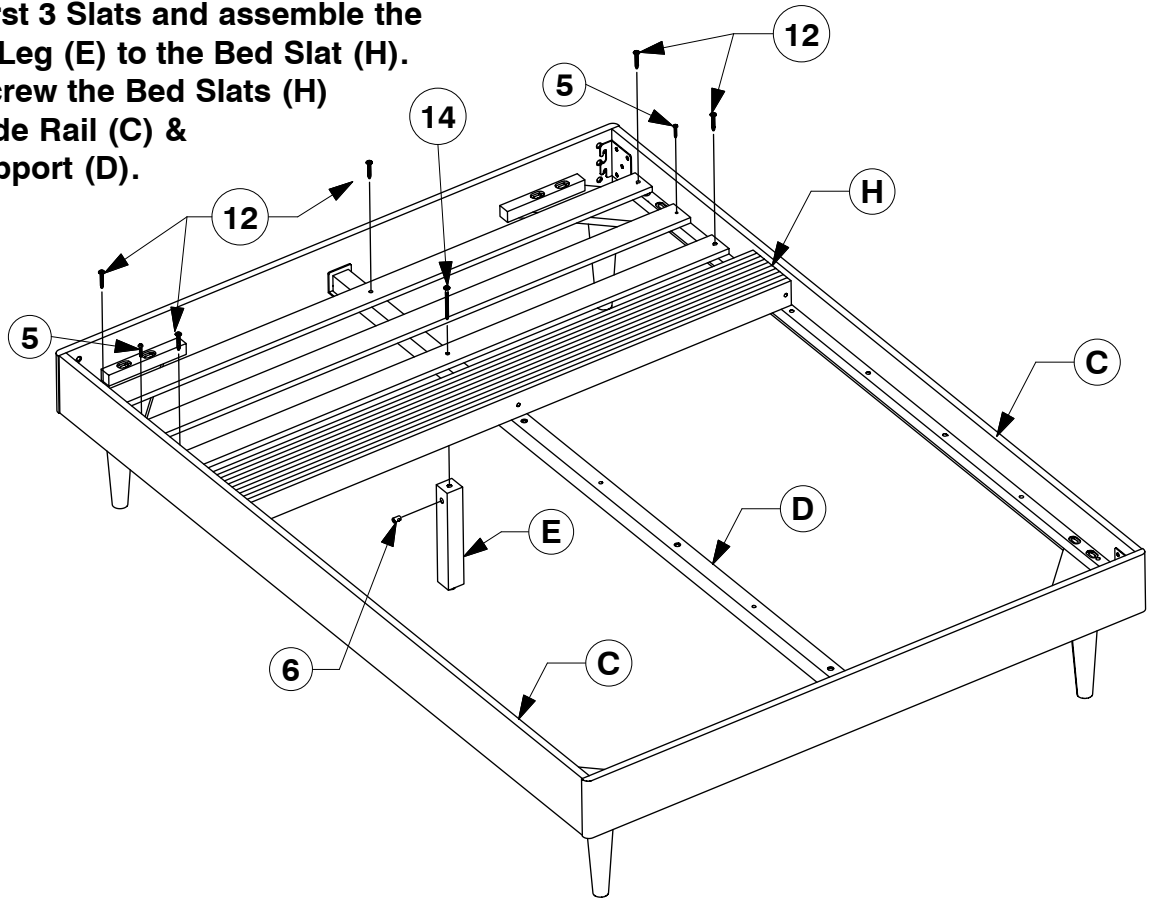
- 11** Bolt the Long Support (D) to the Center Rail Brackets (3) on the Headboard and Footboard Panel (A & B).



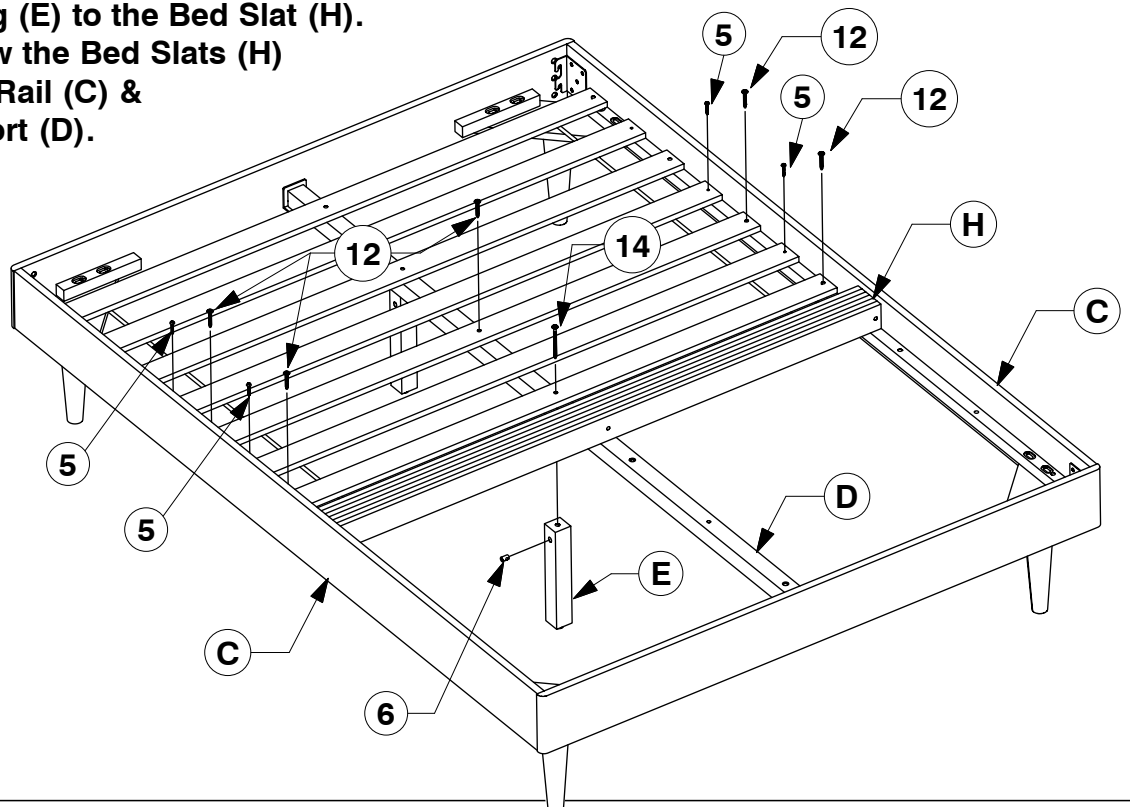
# Full Bed

## Assembly Instructions

- 12** Fit the first 3 Slats and assemble the Support Leg (E) to the Bed Slat (H). Bolt & screw the Bed Slats (H) to the Side Rail (C) & Long Support (D).



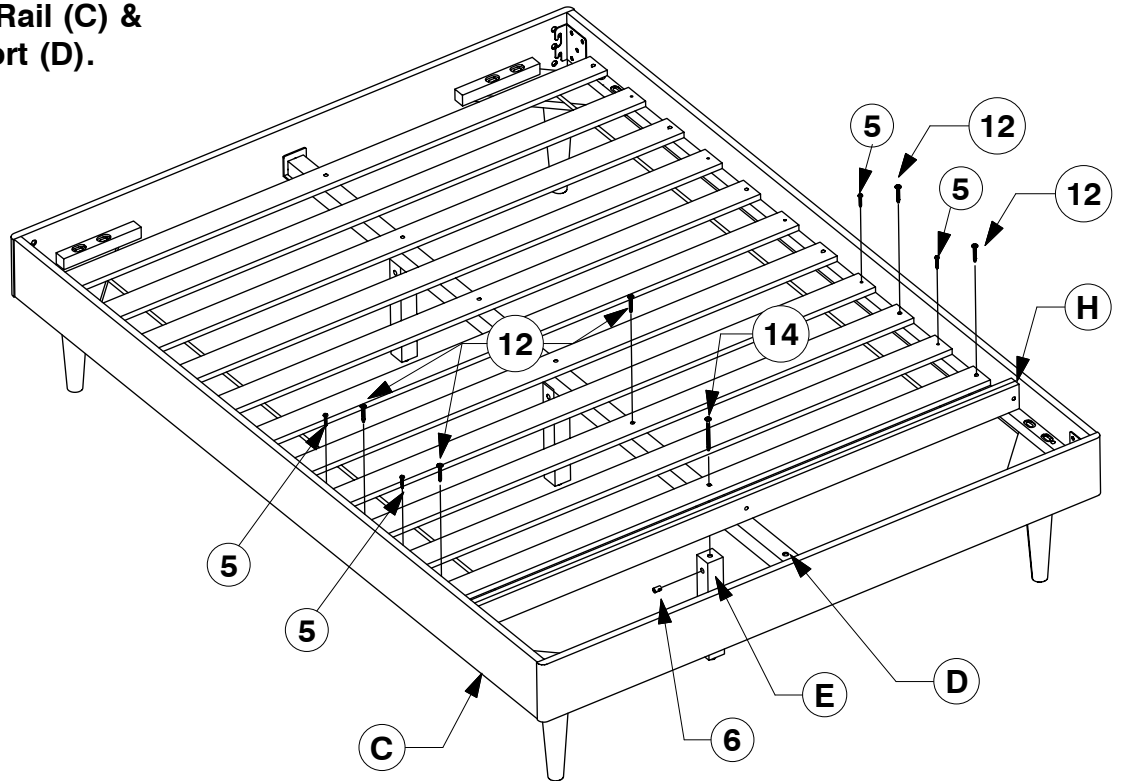
- 13** Fit the other Slats out and assemble the Support Leg (E) to the Bed Slat (H). Bolt & screw the Bed Slats (H) to the Side Rail (C) & Long Support (D).



# Full Bed

## Assembly Instructions

- 14** Fit the other Slats out and assemble the Support Leg (E) to the Bed Slat (H). Bolt & screw the Bed Slats (H) to the Side Rail (C) & Long Support (D).



- 15** Bolt & screw the remaining Bed Slats (H) to the Side Rail (C).

