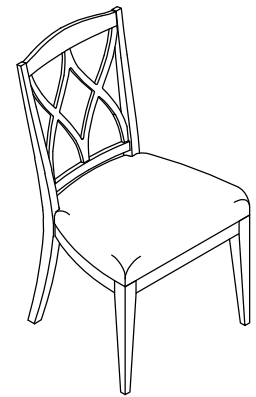


Dining Room Assembly Instructions

Made in Viet Nam

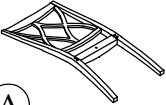
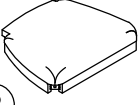
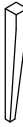
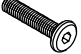
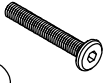





Xx Back Uph Side Chair 2in

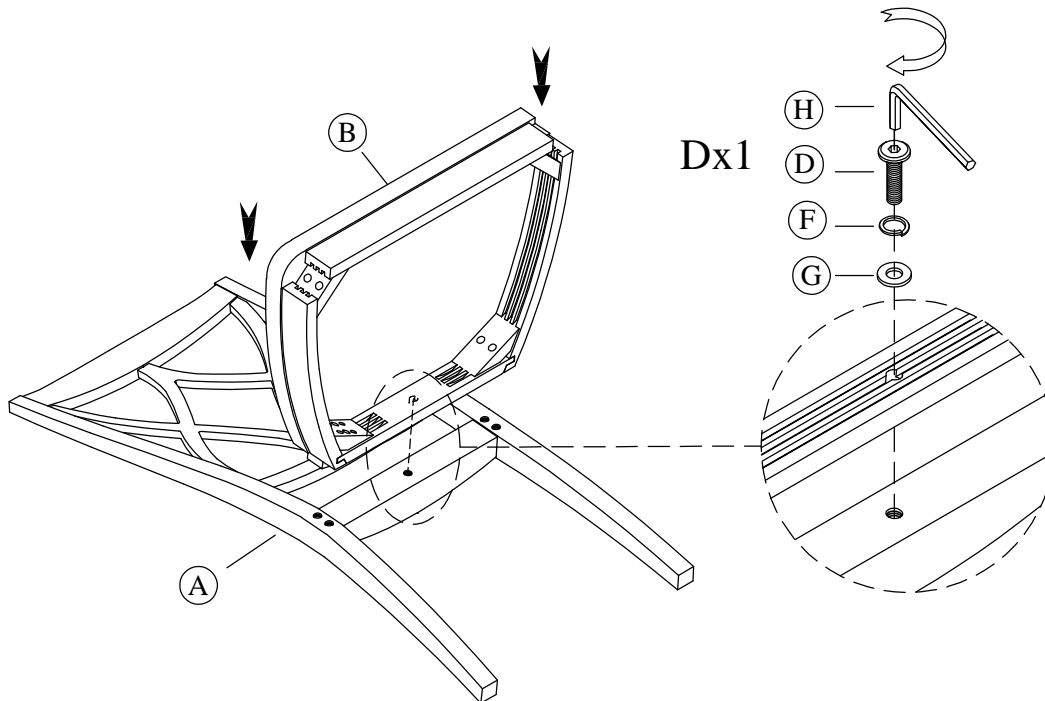
Warning :

- Be sure to check all packing material carefully for small parts, which may have come loose inside the carton during shipment.
- To prevent possible scratches and damage, this furniture must be assembled on a soft surface such as a blanket or carpet.

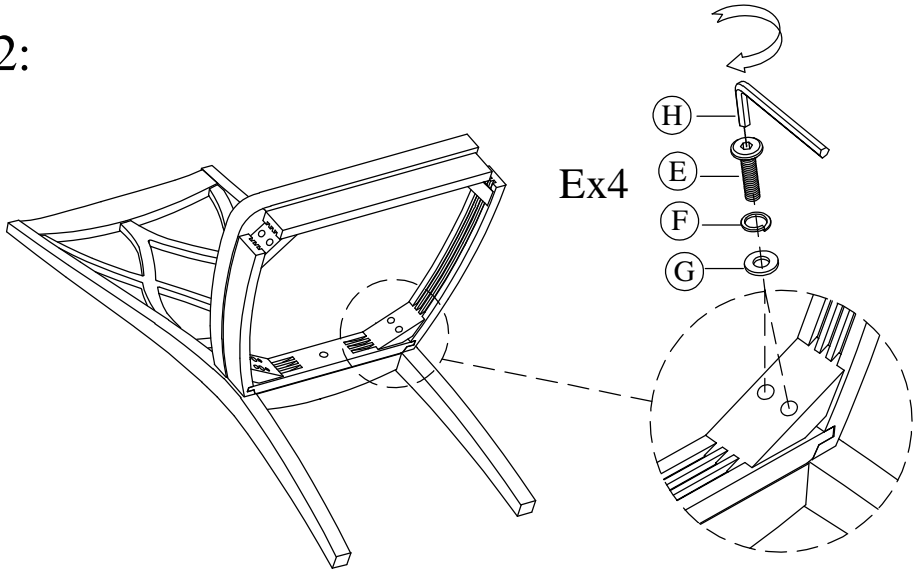
Components and Hardware List

Chair Back  (A) 1 pc.	Seat Frame  (B) 1 pc.	Front Leg  (C) 2 pcs.	Allen Head Bolt Ø5/16"-18 x 2"  (D) 5 pcs.	Allen Head Bolt Ø5/16"-18 x 3"  (E) 4 pcs.
Spring Washer Ø5/16"  (F) 9 pcs.	Flat Washer Ø5/16" x 19*2mm  (G) 9 pcs.	5mm Allen Key  (H) 1 pc.		

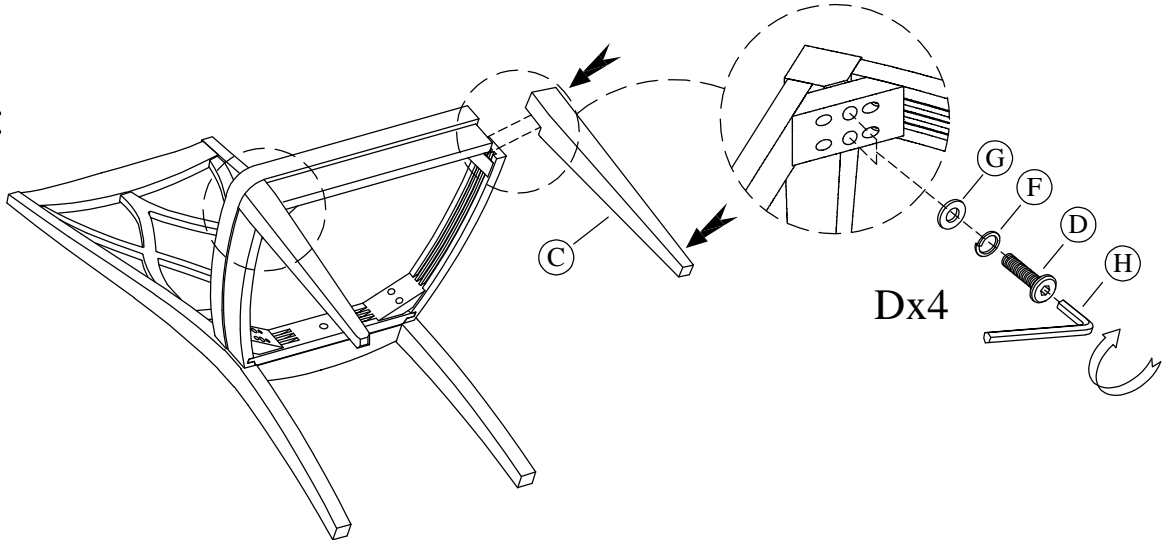
Step 1:



Step 2:



Step 3:



Complete

