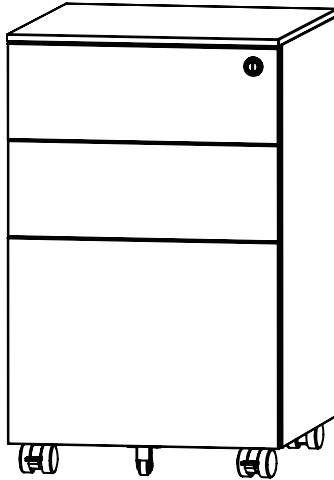




**DEVAISE**  
WWW.DEVAISE.COM



# AHDG045

Steel PB 3 Drawer Mobile Cabinet V3.3



## IMPORTANT INFORMATION

**READ CAREFULLY.**

**KEEP THIS INFORMATION FOR FURTHER REFERENCE.**

This summary may not include every detail of all variations and considered steps. Please **contact us** when further information and help are needed.

## NOTES

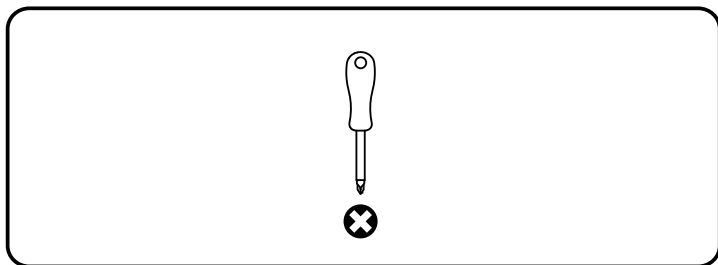
- Please follow the assembly instructions precisely and only use the product as intended.
- Prior to assembly, please check the product for defects or missing accessories. If any defects are found or accessories are missing, do not use product as damage or injury may occur;  
Please **contact us** for assistance and replacement.
- Assemble the item on a soft flat and clean surface to avoid scratches and damage.

## WARNINGS

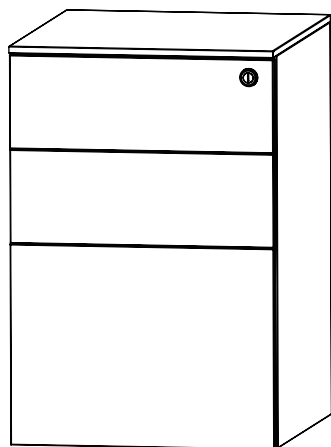
- During assembly, keep parts and packaging materials away from children and pets as there could cause injury and are a potential choking hazard.
- Avoid sharp objects or corrosive chemicals to prevent damage to the product.
- Please open the item slowly and cautiously to avoid pinching your hands by metal joints, especially children.







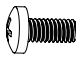
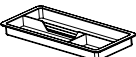



- If you have any further questions, please feel free to contact us by email or official website: **[devaise-cs@devaise.com](mailto:devaise-cs@devaise.com)**  
We will reply ASAP.
- Before installation, please make sure you have all the hardware, the serial numbers are properly labeled corresponding to the list, and the quantity is correct.
- Enjoy your new purchase!



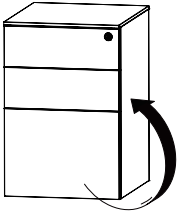
## EXPLODED DRAWING



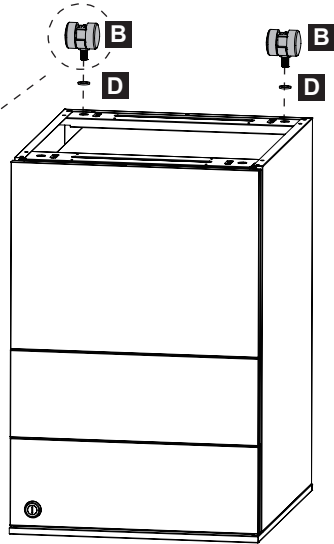
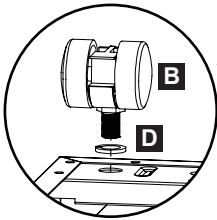
## PARTS

 <b>A</b> X2	 <b>B</b> X2	 <b>C</b> X1	 <b>D</b> X4
 <b>E</b> X2	 <b>F</b> X1	 <b>G</b> X1	 <b>H</b> X1
 <b>I</b> X1			

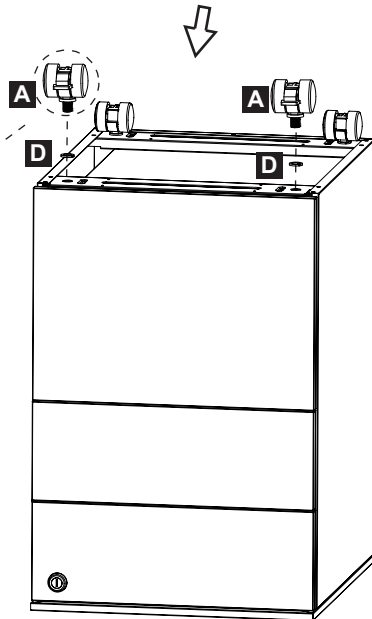
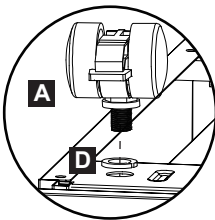
## 1



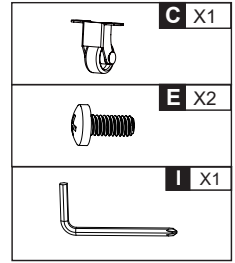
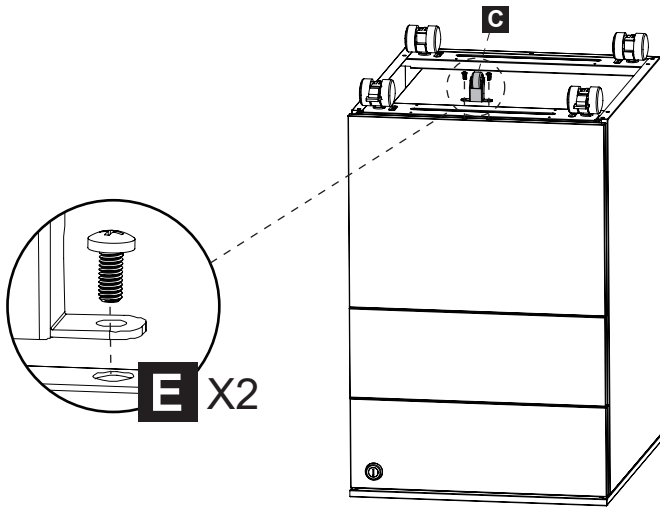
<b>A</b> X2	<b>B</b> X2
<b>D</b> X4	<b>H</b> X1



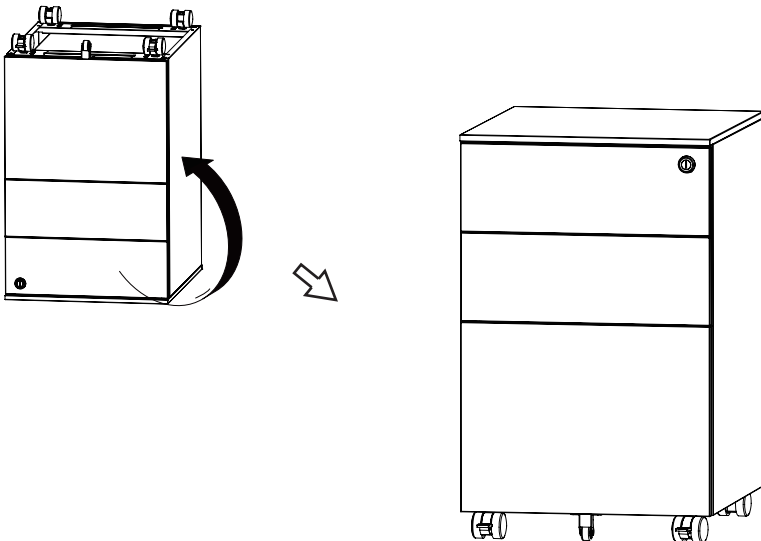
<b>A</b>		Lockable casters
<b>B</b>		360° Swivel Casters

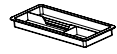


2



3

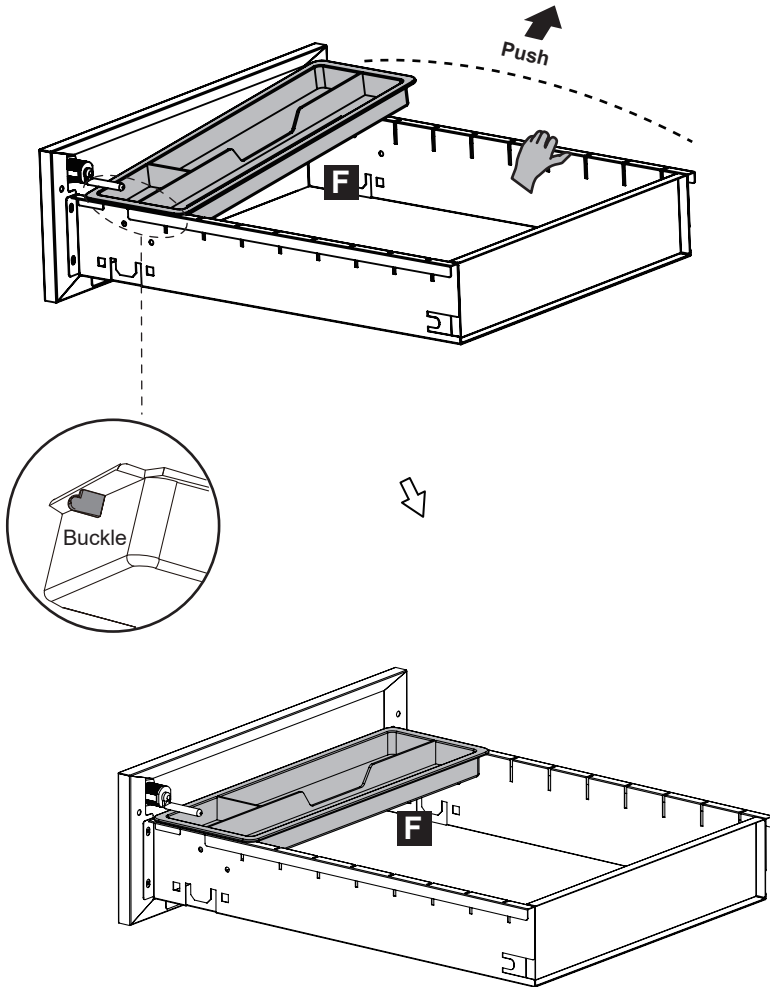


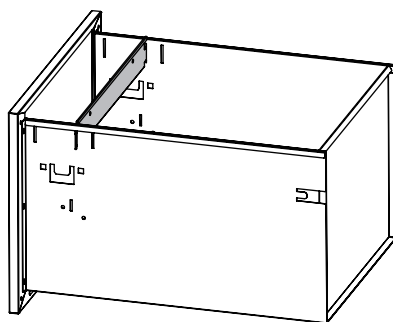
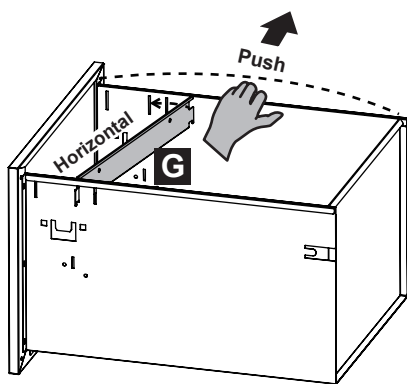
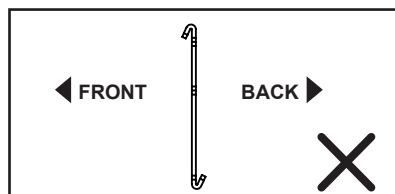
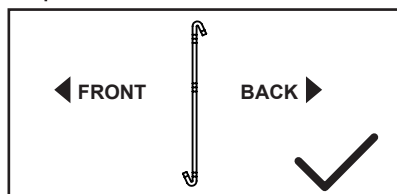
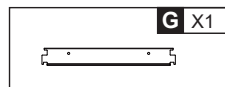


F X1

**REMARK**

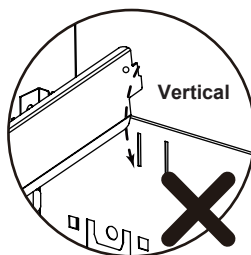
Remove or adjust the stationery tray, please follow the below method.





**REMARK**

1. Install or adjust the hanging file bar, please follow the below method.
2. Please do not vertically install the hanging file bar, especially in the front or back of the filing drawer, otherwise it will be difficult to install.

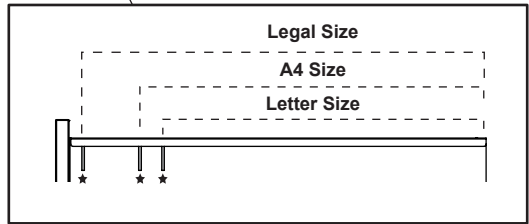
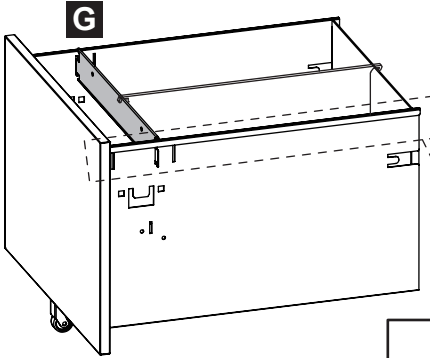


6



One filing drawer support A4, legal, letter size file folders

1.



Adjust the position of Part **G** for letter, A4, legal size files.

2.

