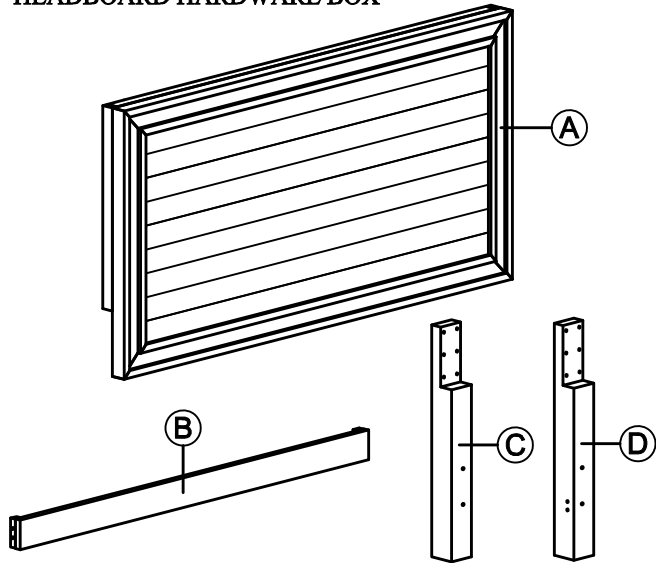


KING BED ASSEMBLY INSTRUCTIONS

BOX #1

- A. HEADBOARD : 1 PC
- B. HEADBOARD STRETCHER : 1 PC
- C. LEFT LEG : 1 PC
- D. RIGHT LEG : 1 PC
- * HEADBOARD HARDWARE BOX *



HARDWARE PACKED IN BOX #1

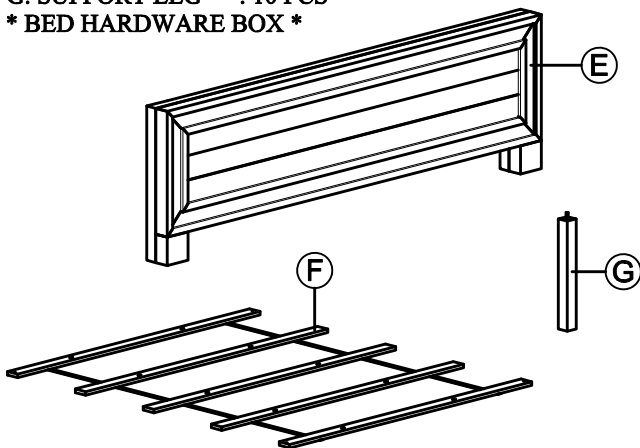
1	ALLEN BOLT (M6x50)		12PCS
2	ALLEN BOLT (M6x40)		4PCS
3	SPRING WASHER (M8)		16PCS
4	FLAT WASHER (M8)		16PCS
5	ALLEN KEY		1PC

HARDWARE PACKED IN BOX #2

6	ALLEN BOLT (M8x25)		8PCS
7	SPRING WASHER (M8)		8PCS
8	FLAT WASHER (M8)		8PCS
9	ALLEN KEY		1PC
10	WOOD SCREW (M4x25)		4PCS

BOX #2

- E. FOOTBOARD : 1 PC
- F. SLAT ROLL : 1 SET
- G. SUPPORT LEG : 10 PCS
- * BED HARDWARE BOX *

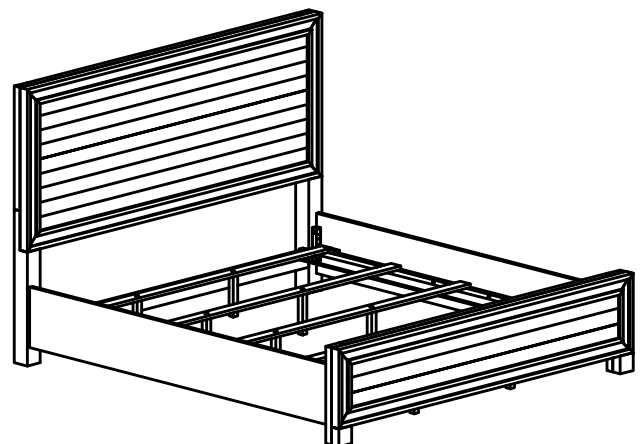


TOOL REQUIRED : PHILLIPS HEAD
SCREW DRIVER (NOT PROVIDED)

YOUR BOX
MAY CONTAIN
EXTRA HARDWARE

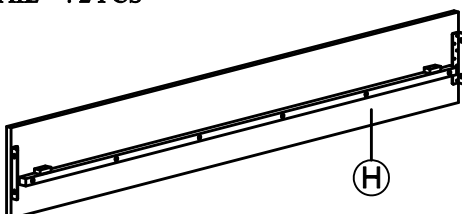


ASSEMBLY COMPLETE



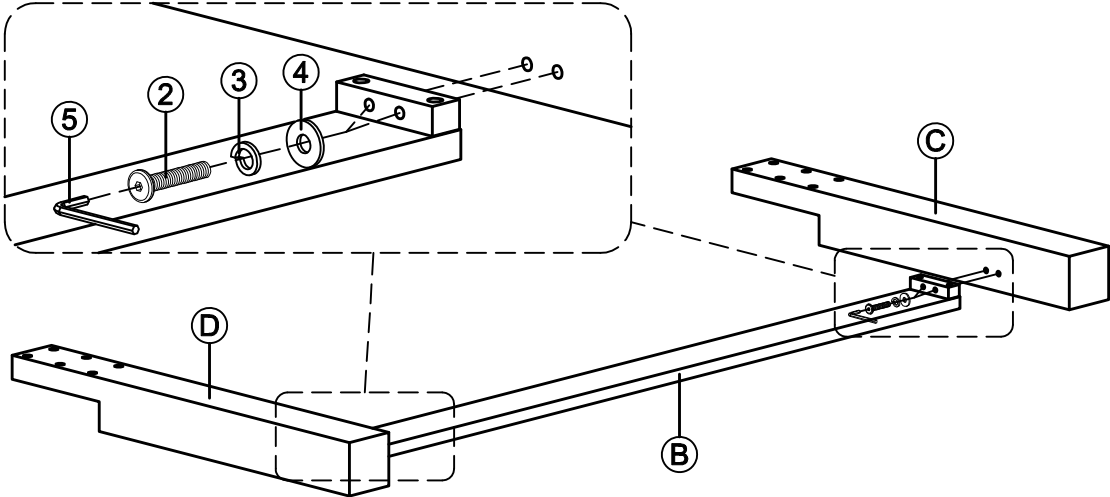
BOX #3

- H. SIDERAIL : 2 PCS

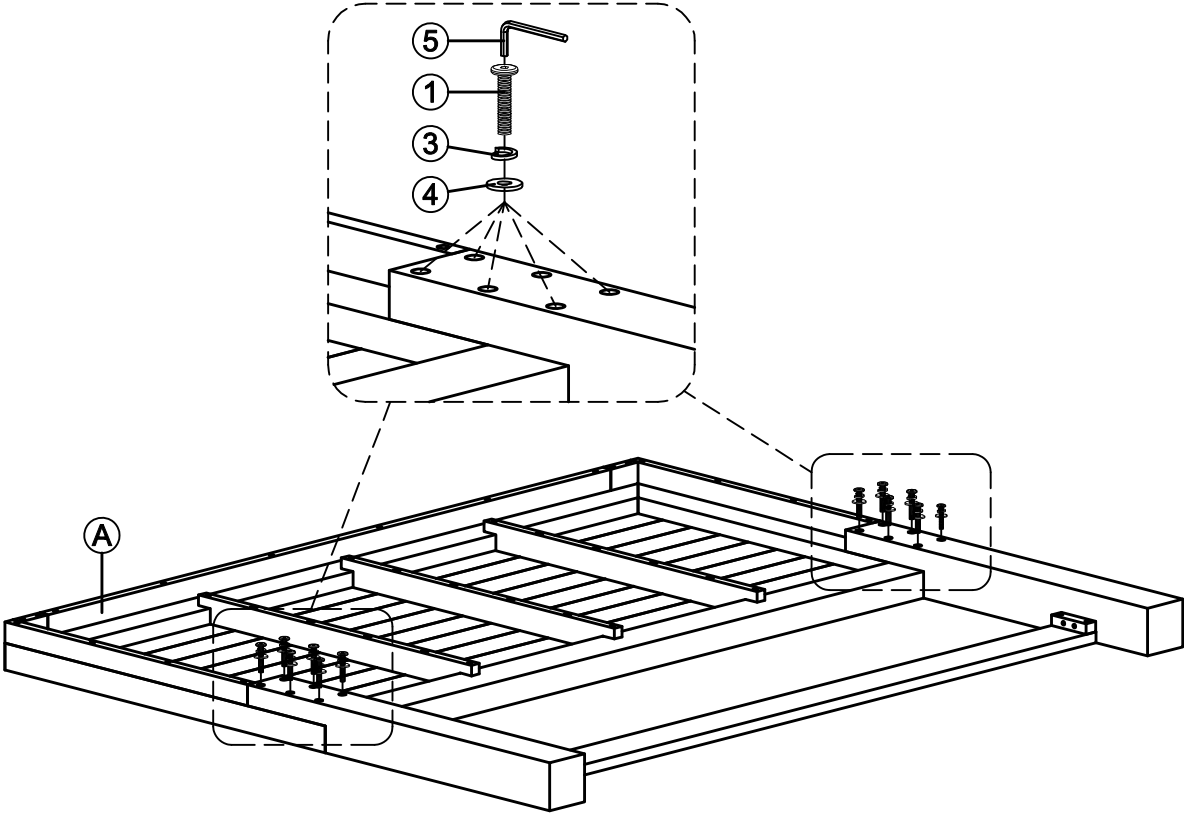


KING BED ASSEMBLY INSTRUCTIONS

STEP #1:

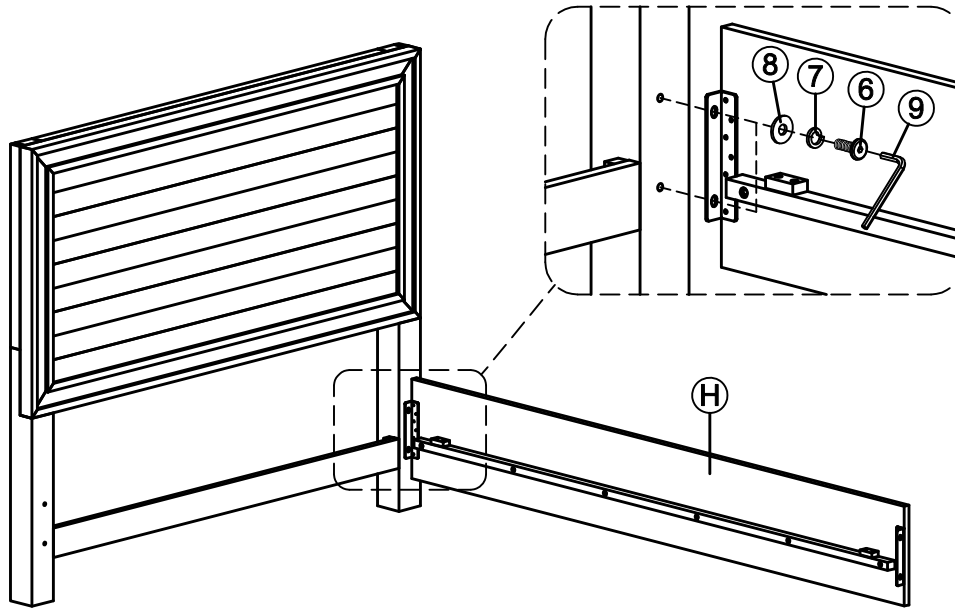


STEP #2:

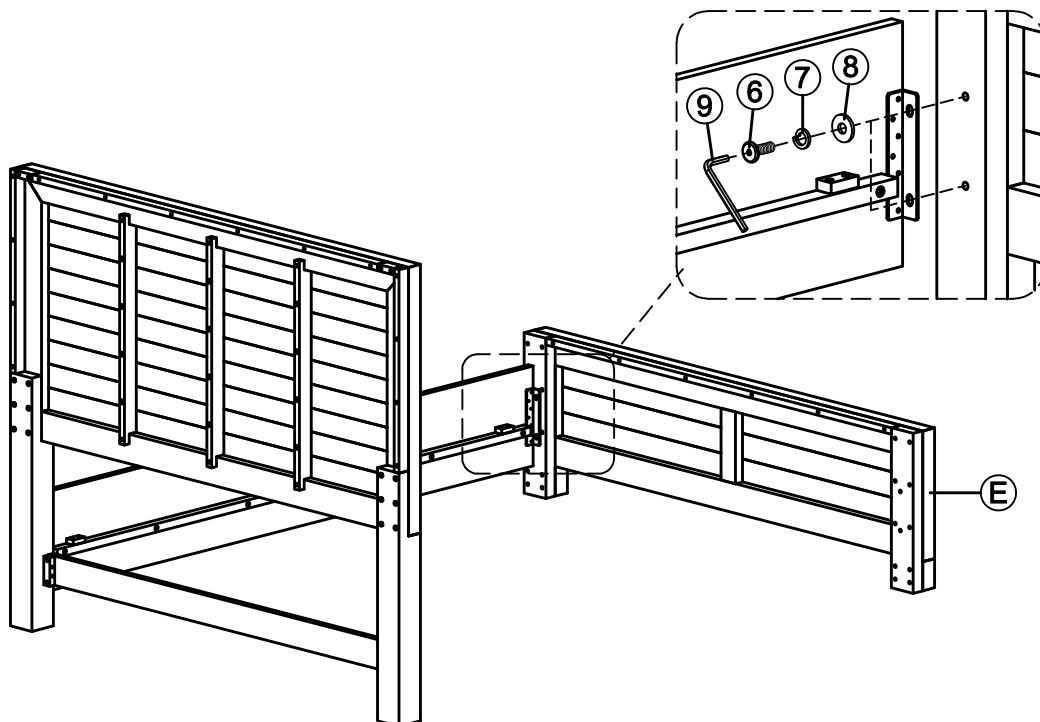


KING BED ASSEMBLY INSTRUCTIONS

STEP #3:

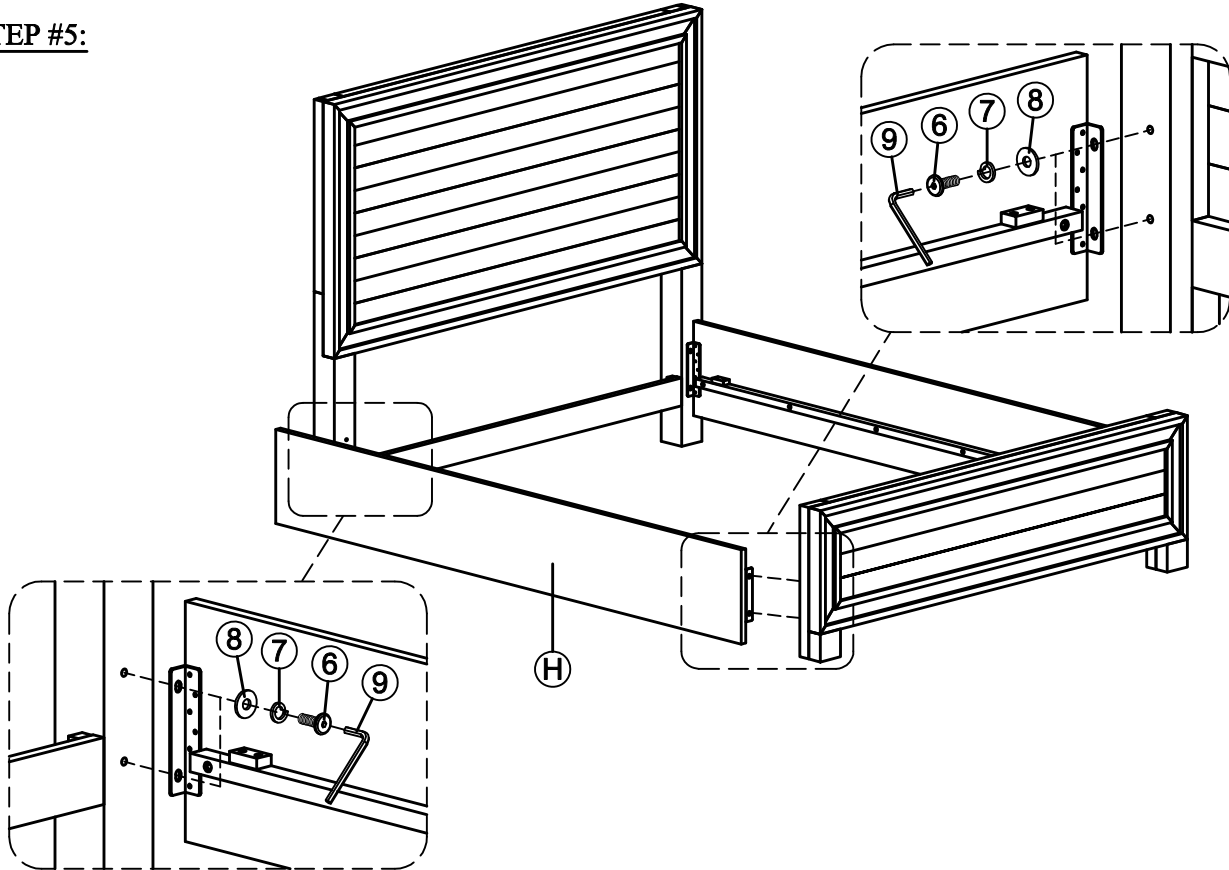


STEP #4:



KING BED ASSEMBLY INSTRUCTIONS

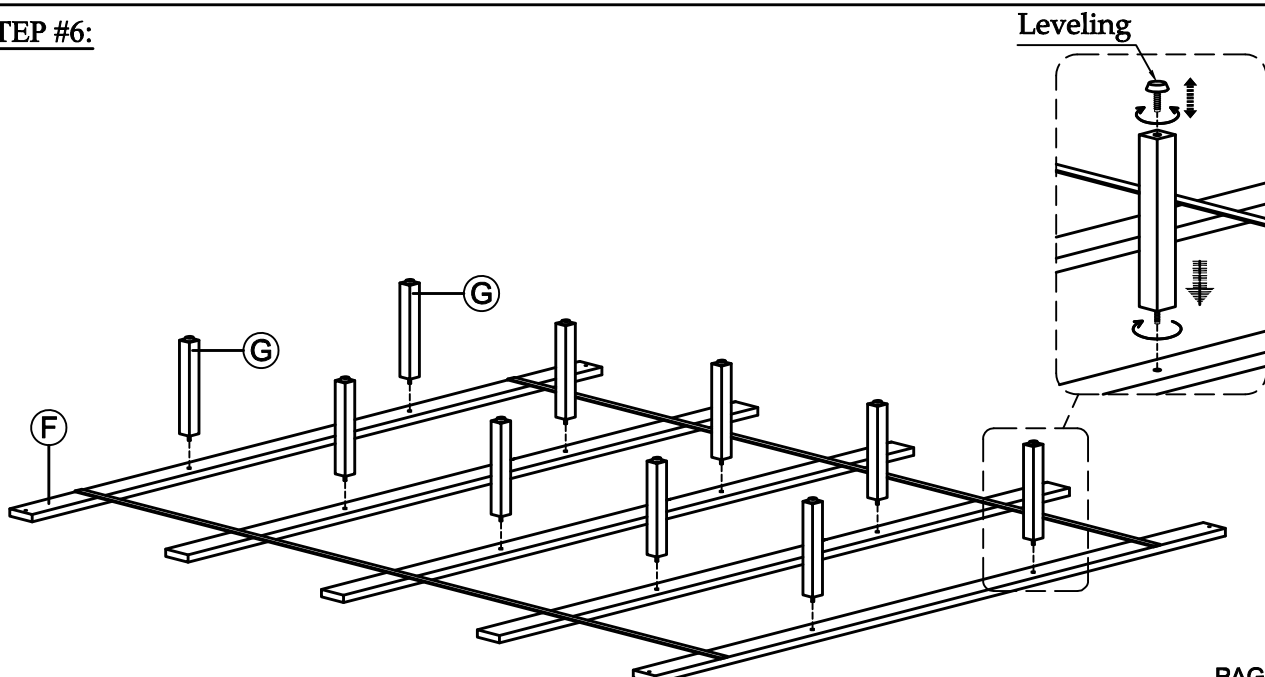
STEP #5:



STOP

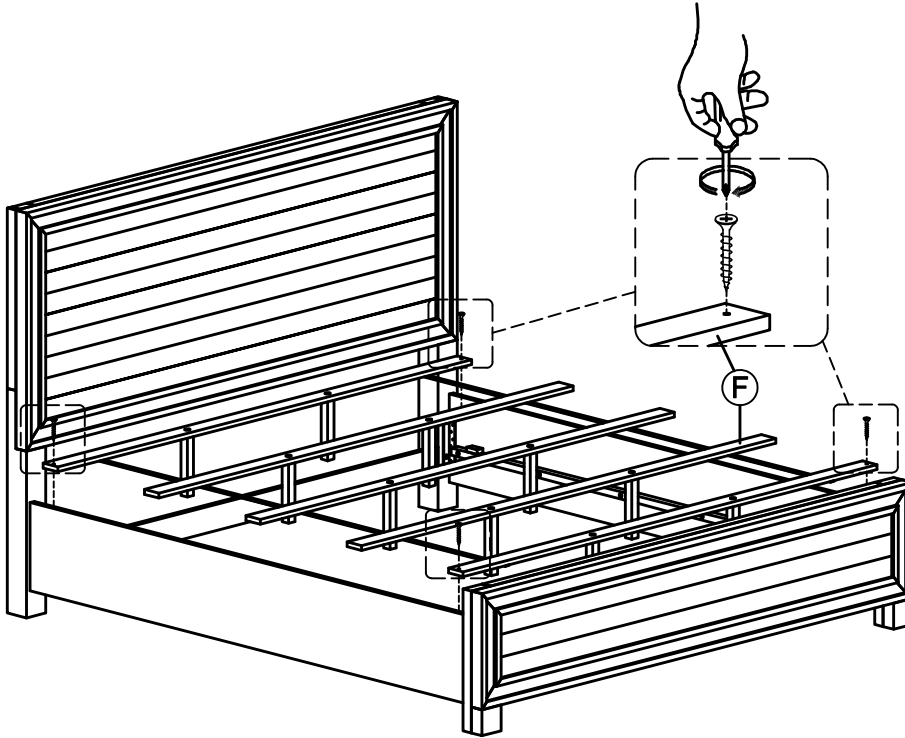
- IF USING BED FRAME WITH ADJUSTABLE MATTRESS BASE, SKIP TO APPENDIX A: ADJUSTABLE MATTRESS BASE ASSEMBLY SUPPLEMENT.
- IF USING BED FRAME WITH STANDARD BOX SPRING OR FOUNDATION CONTINUE TO STEP 6.

STEP #6:

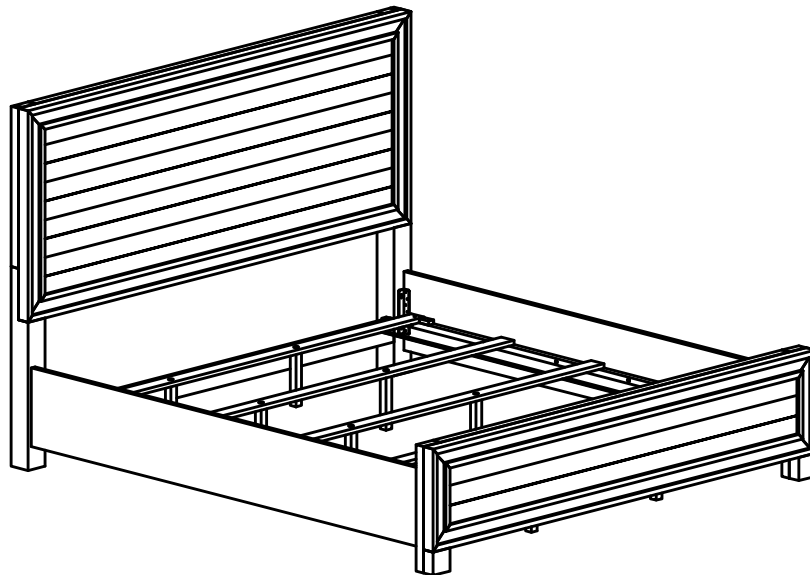


KING BED ASSEMBLY INSTRUCTIONS

STEP #7:

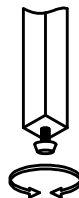


ASSEMBLY COMPLETE.



INSTRUCTIONS FOR ADJUSTING LEVELER:

- Position the bed in your space and locate the leveler under each support leg.
- Turn the leveler counter-clockwise to extend the leveler and clockwise to retract it.
- Adjust each leveler until each support leg is applying equal, upward pressure on the bed support slat.



MAINTENANCE INSTRUCTION:

- Remove box spring and mattress before moving your bed.
- Lift your bed when moving it. Dragging can damage the leg support.
- Readjust levelers after moving your bed.

KING BED ASSEMBLY INSTRUCTIONS

APPENDIX A: ADJUSTABLE MATTRESS BASE ASSEMBLY SUPPLEMENT

AN ADJUSTABLE MATTRESS BASE IS A FREESTANDING MATTRESS SUPPORT THAT SITS WITHIN THE PERIMETER OF THE BED FRAME.

IF USING THIS BED FRAME WITH A STANDARD BOX SPRING OR FOUNDATION THESE INSTRUCTIONS DO NOT APPLY.

PRE-ASSEMBLED SIDE RAIL CLEATS OBSTRUCT ADJUSTABLE BASE INSTALLATION AND OPERATION. FOLLOW THESE INSTRUCTIONS TO REMOVE THEM.

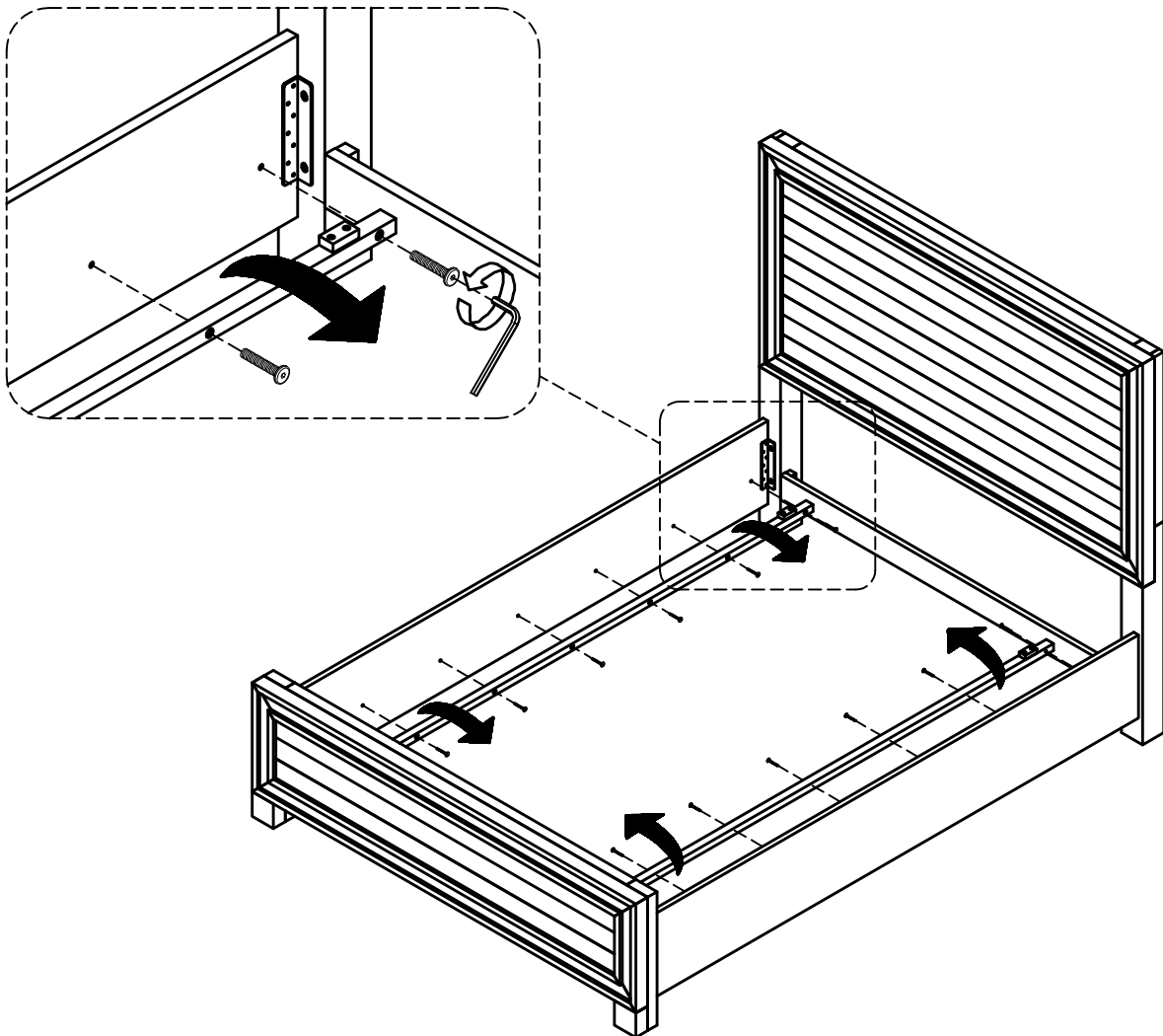
THE FOLLOWING PARTS ARE NOT REQUIRED FOR ADJUSTABLE MATTRESS BASE INSTALLATION:

F. SLAT ROLL : 1 SET
G. SUPPORT LEG : 10 PCS

7. WOOD SCREW (M4x25mm) : 4 PCS
* ALLEN BOLT (M6x40mm) : 12 PCS

STEP #1:

USE ALLEN KEY (5) or (9) TO UNSCREW ALLEN BOLTS AND REMOVE PRE-ASSEMBLED SIDE RAIL CLEATS.



NOTE: YOU MAY WISH TO RETAIN UNUSED PARTS IF IN THE FUTURE YOU INTEND TO USE THE BED FRAME WITH A STANDARD BOX SPRING OR FOUNDATION.