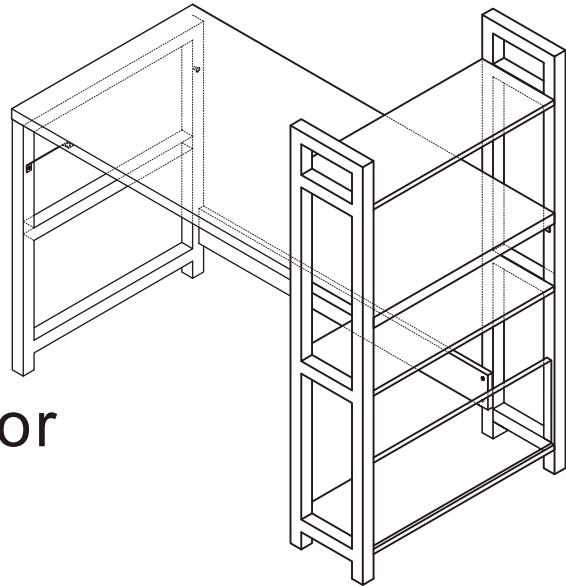
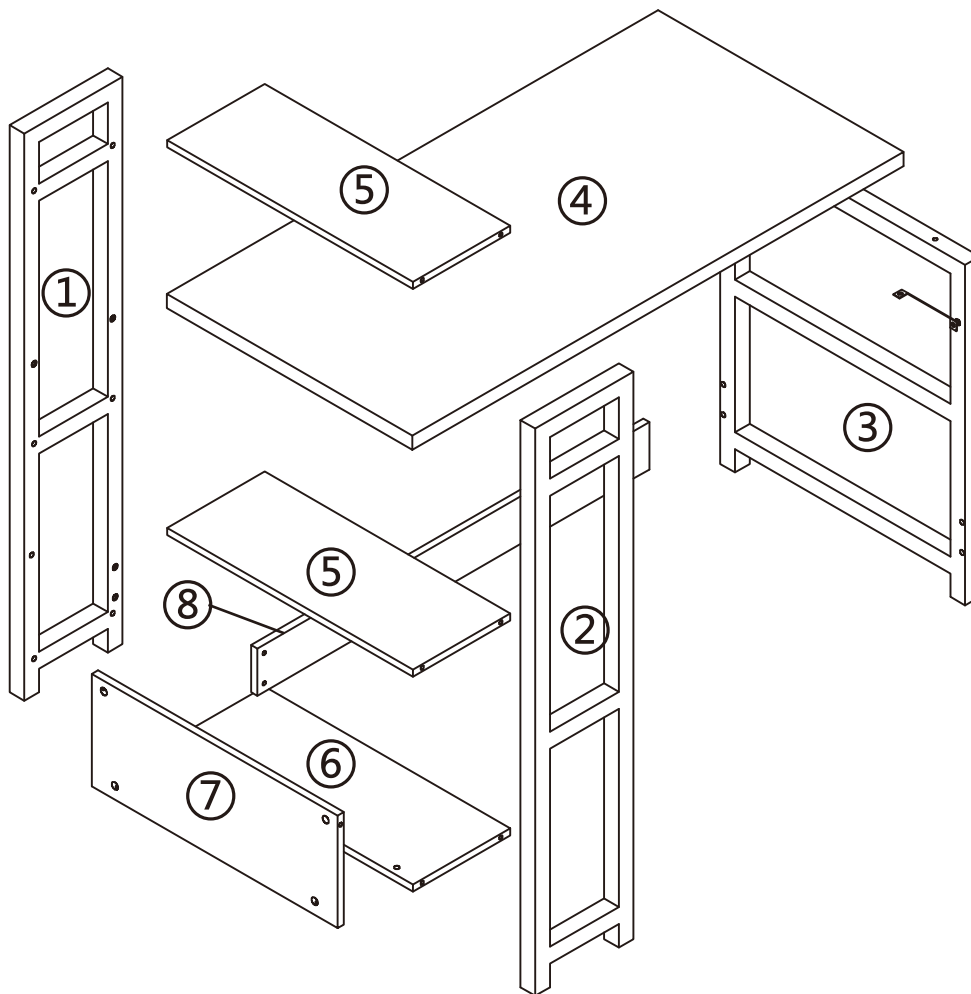



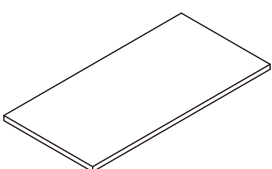
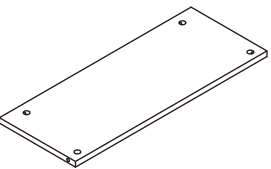



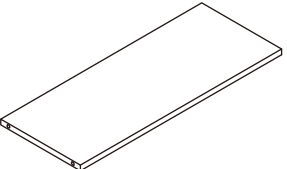
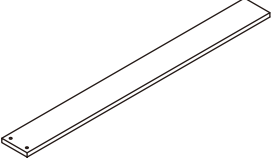
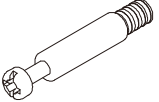
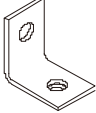
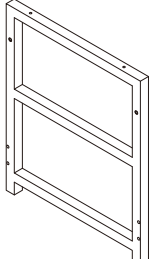
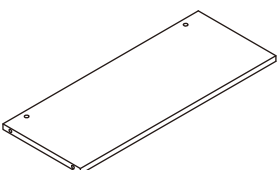
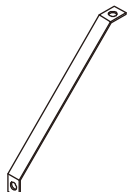


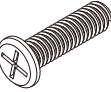
or



READ AND SAVE THIS INSTRUCTION FOR FUTURE USE

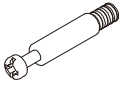
ASSEMBLY INSTRUCTION



 <p>1 x 1</p>	 <p>4 x 1</p>	 <p>7 x 1</p>	 <p>A x 18</p>	 <p>E x 10 M6X12MM</p>
 <p>2 x 1</p>	 <p>5 x 1</p>	 <p>8 x 1</p>	 <p>B x 18</p>	 <p>F x 4</p>
 <p>3 x 1</p>	 <p>6 x 1</p>	 <p>9 x 2</p>	 <p>C x 2 M6X45MM</p>	 <p>G x 5</p>
			 <p>D x 4 M6X25MM</p>	

01

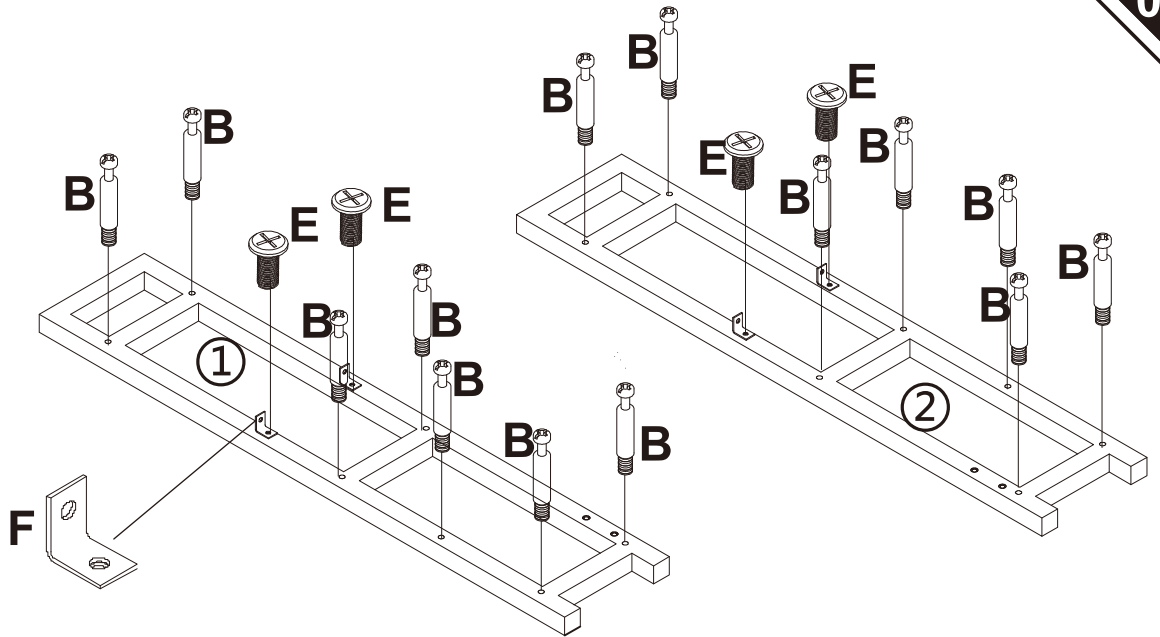
B x 14



E x 4



F x 4

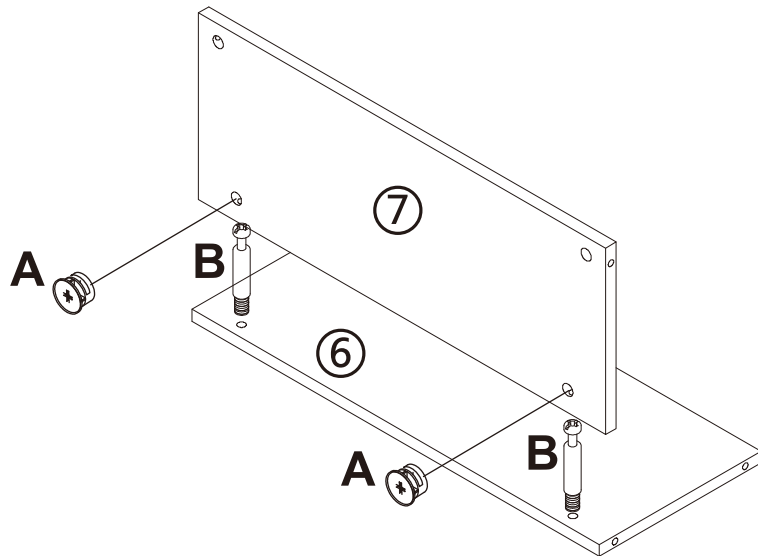
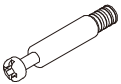


02

A x 2

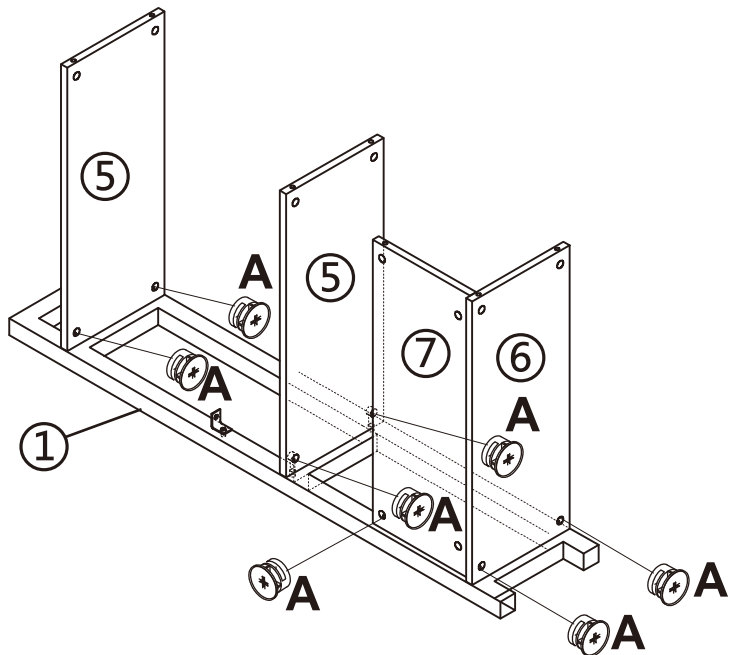


B x 2

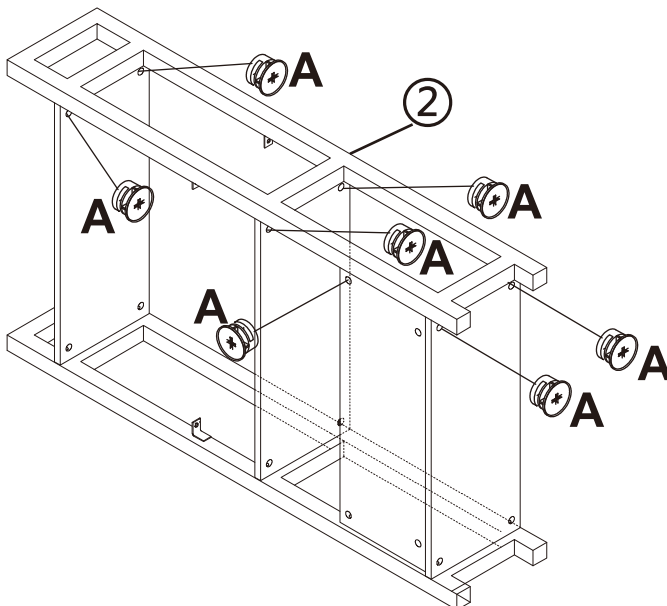


03

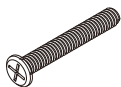
A x 7



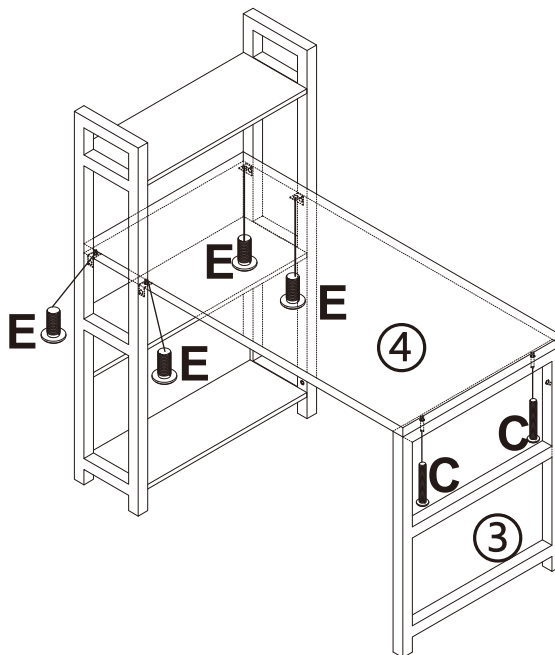
A x 7



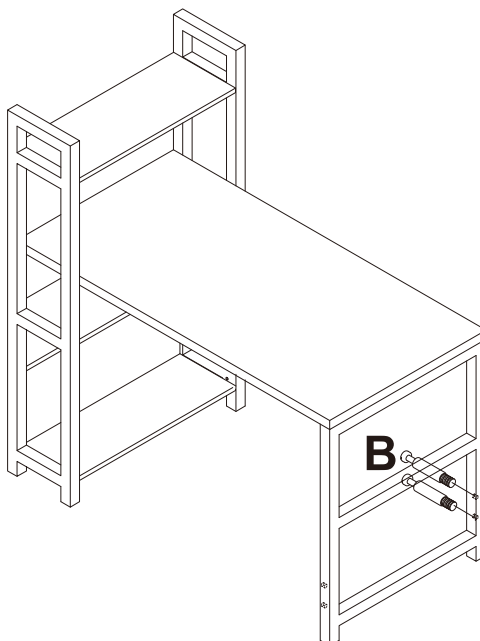
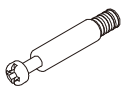
C x 2



E x 4



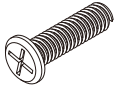
B x 2



A x 2



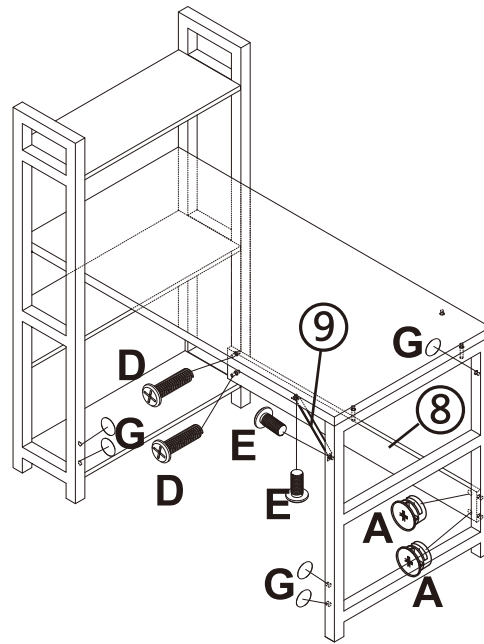
D x 2



E x 2

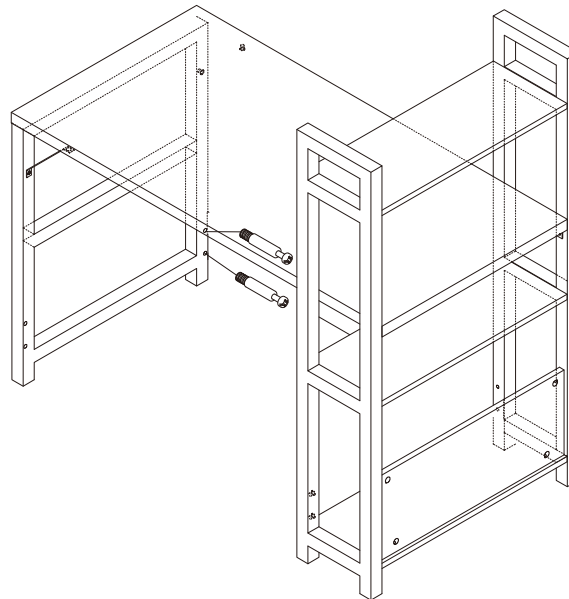
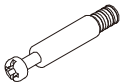


G x 5



MODE 1

B x 2



A x 2



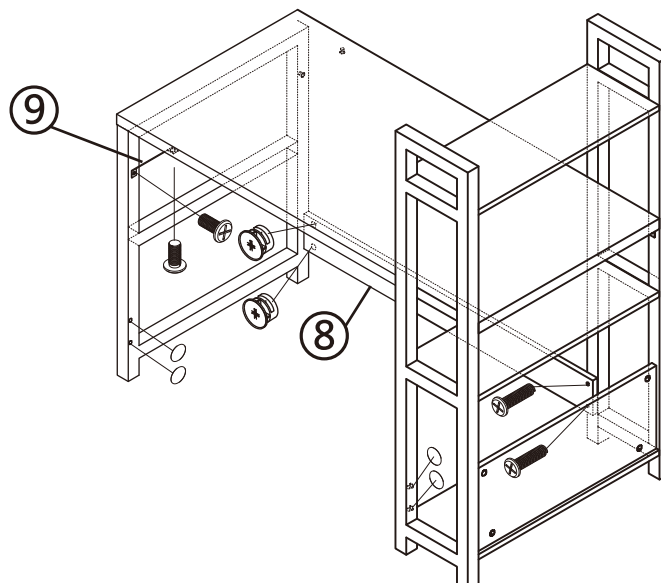
D x 2



E x 2



G x 5



MODE 2