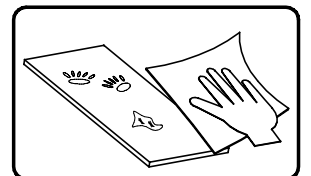
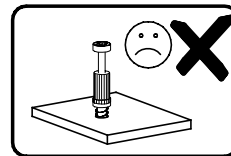
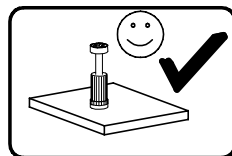
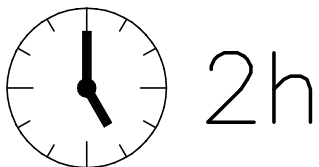
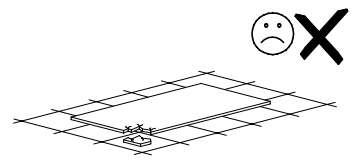
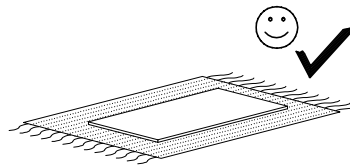
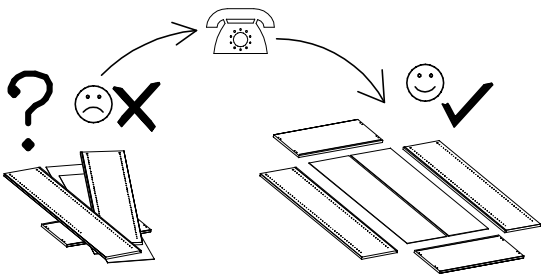
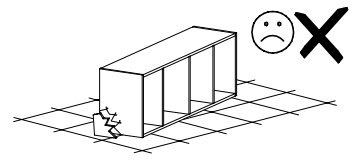
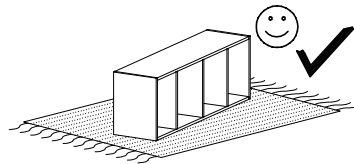
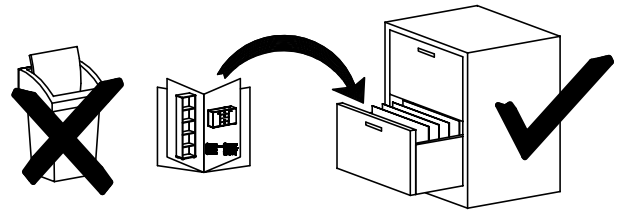
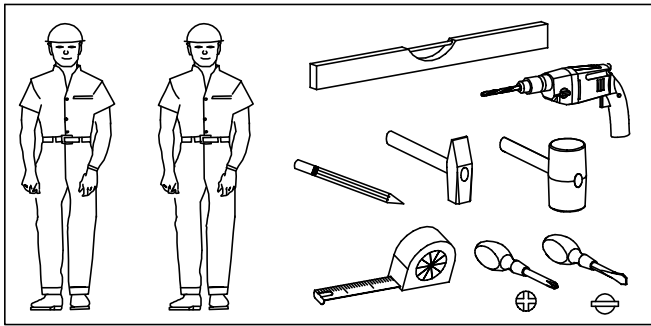
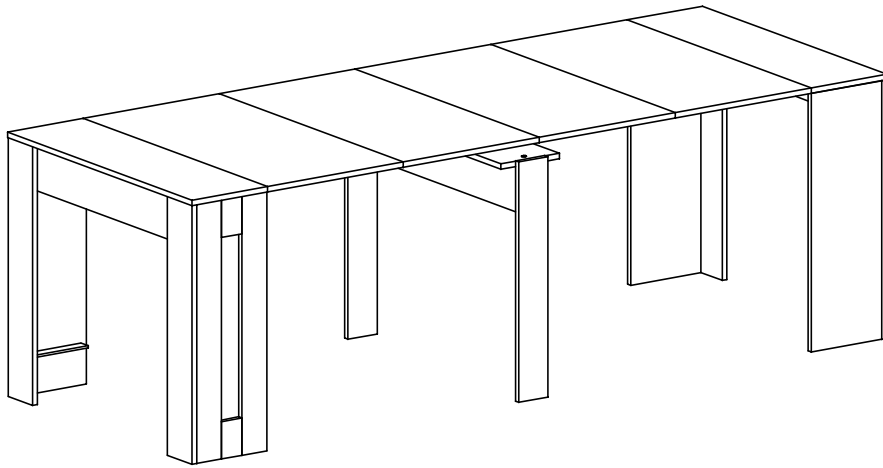
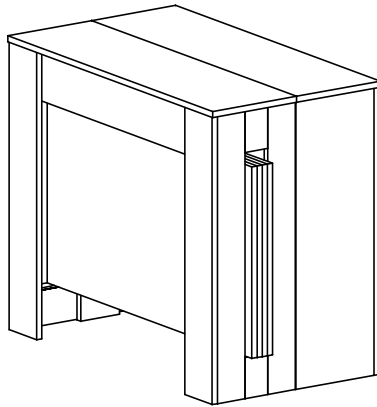
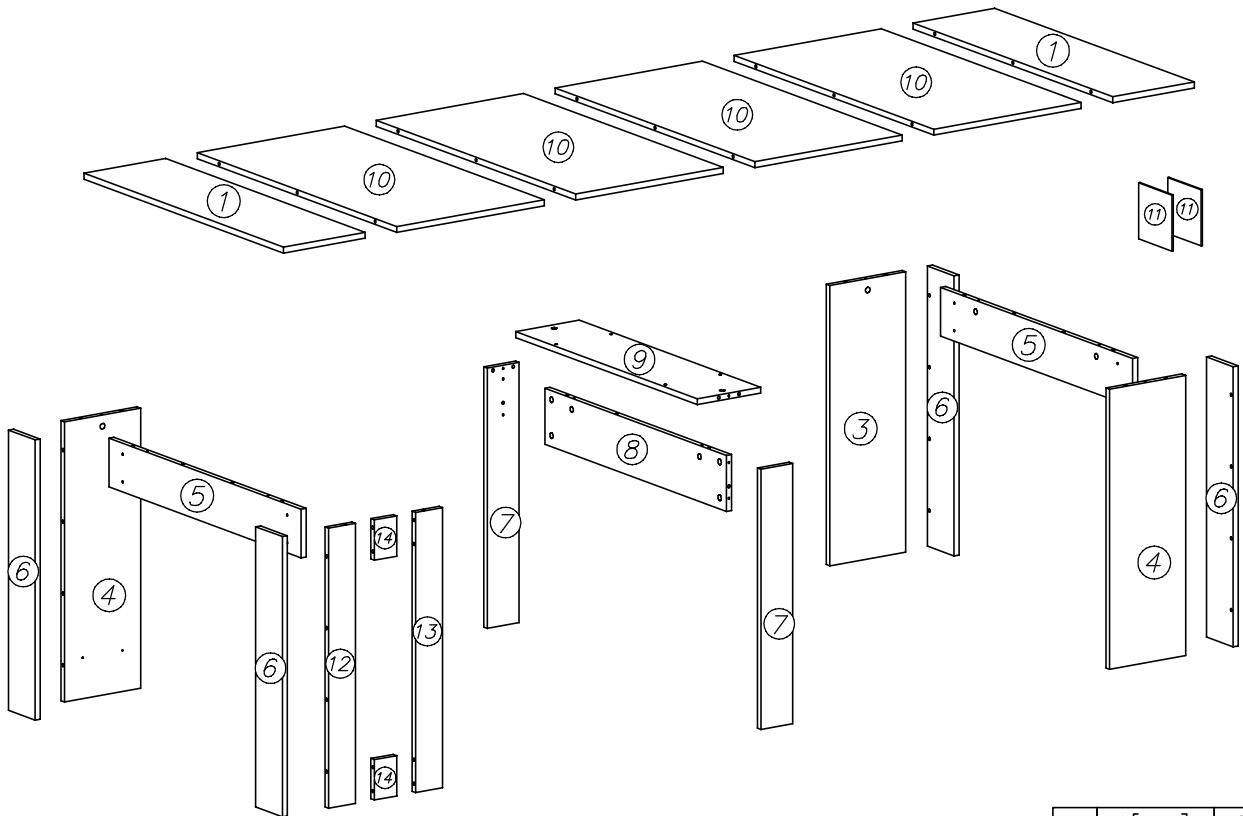
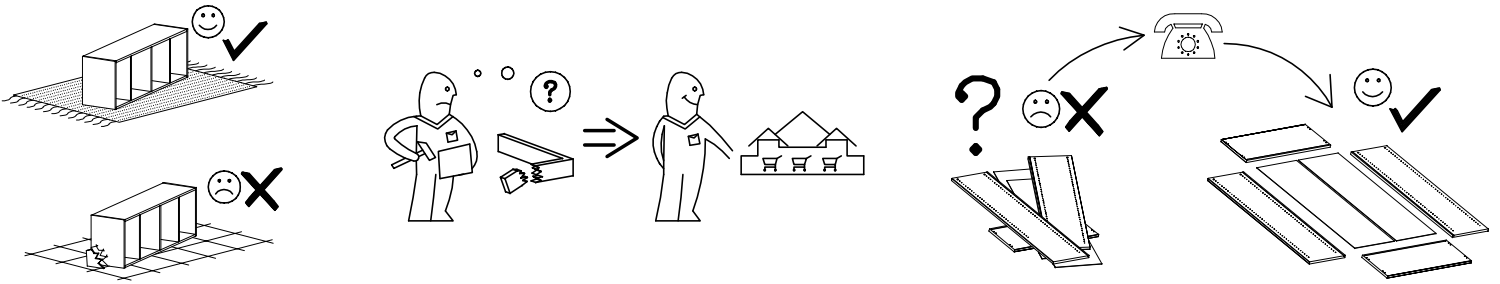


Installation & Assembly

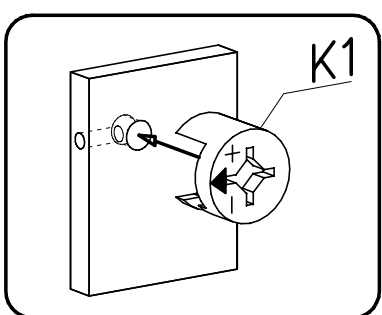
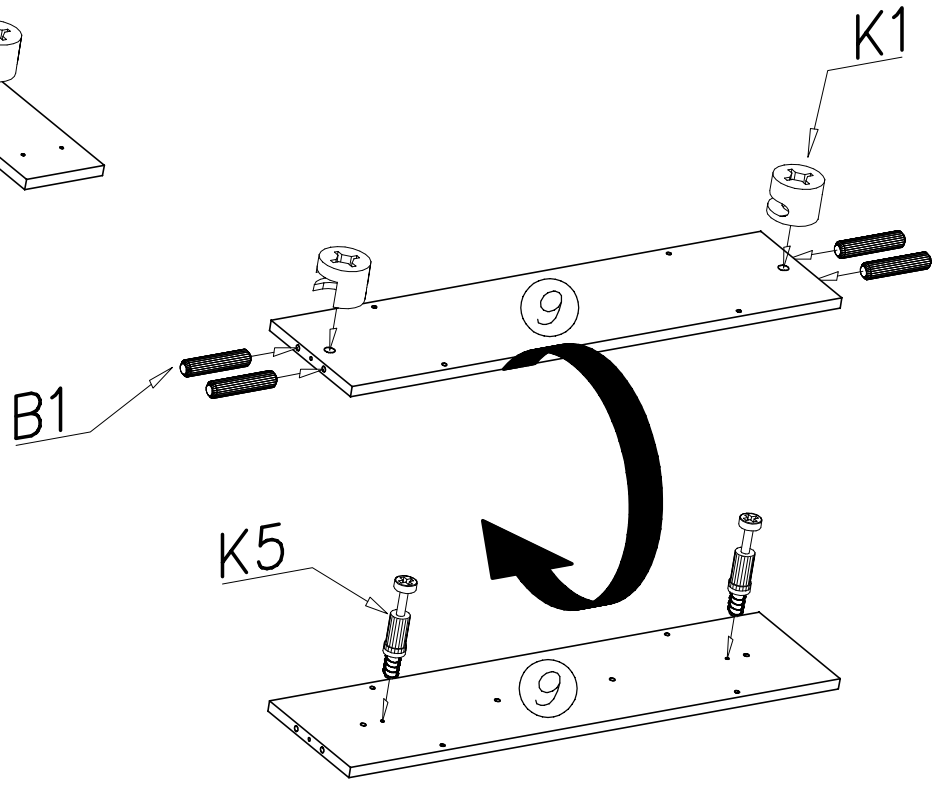
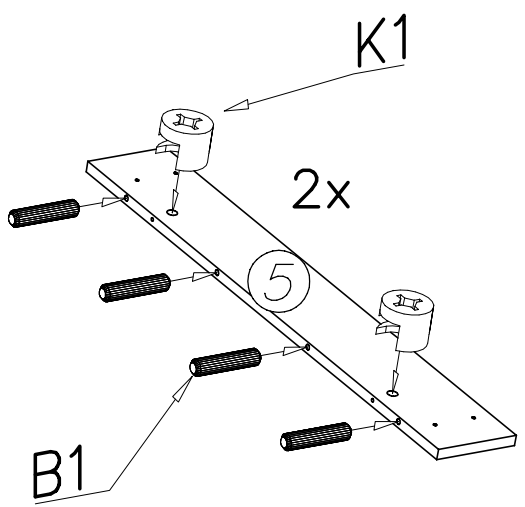
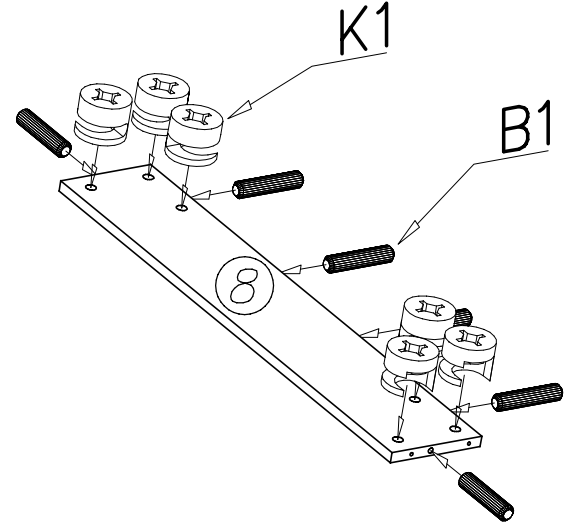
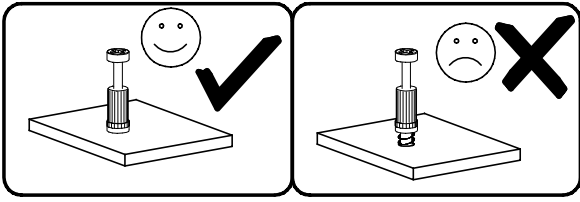
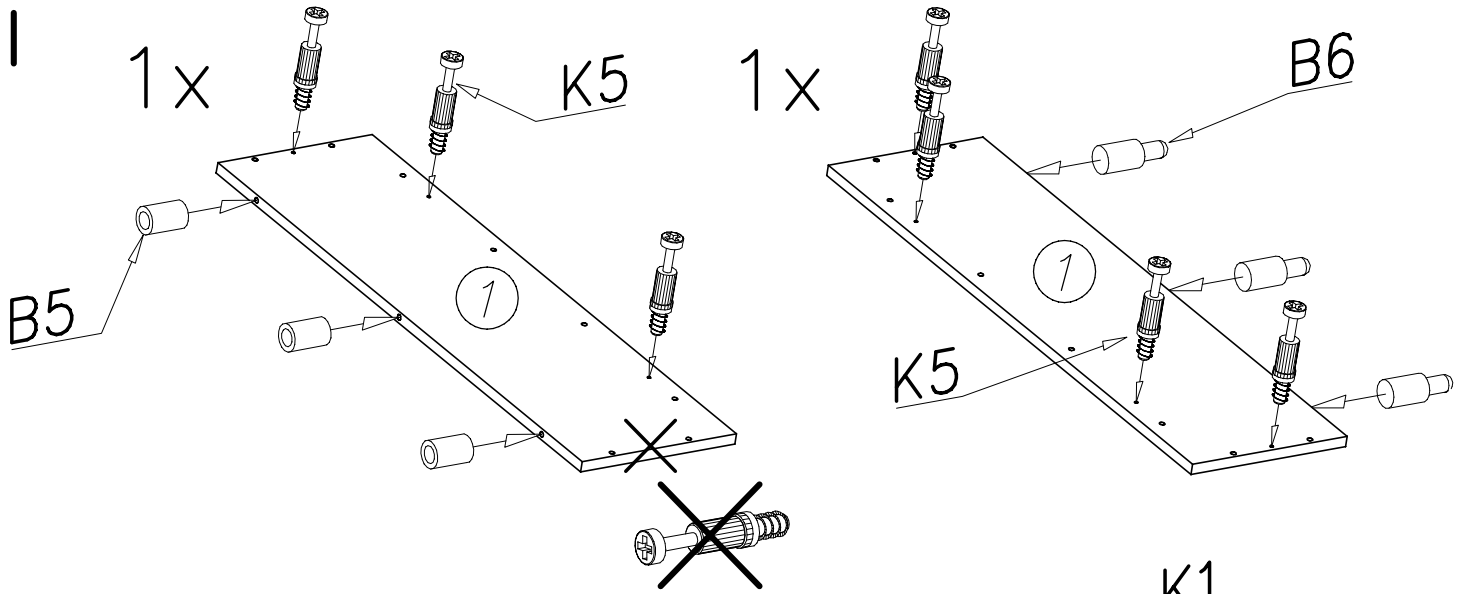
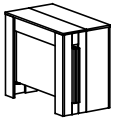


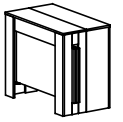


nr	L[mm]	D[mm]
1	900	258
3	750	240
4	750	240
5	860	130
6	750	120
7	709	120
8	818	150
9	818	200
10	900	465
11	150	150
12	750	85
13	750	85
14	120	70

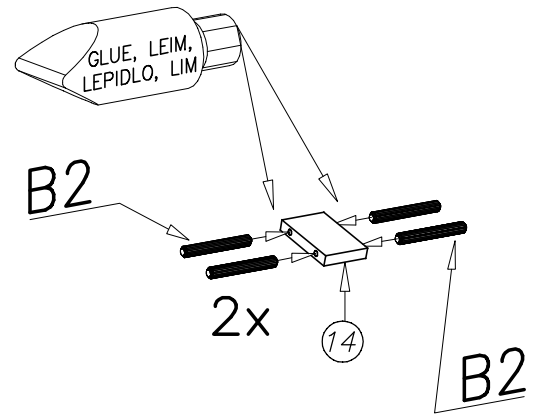
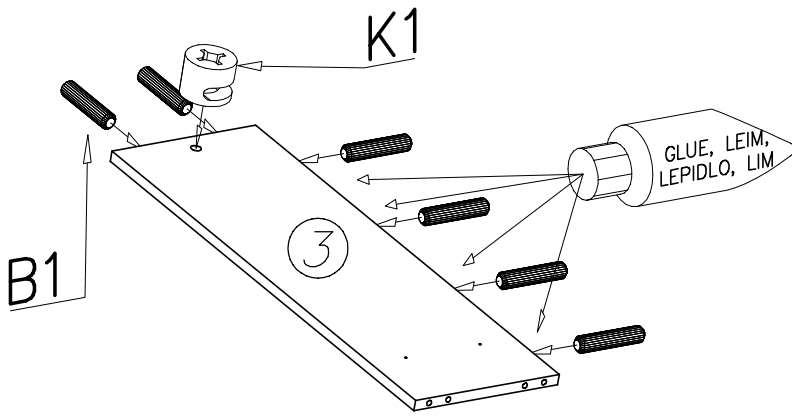
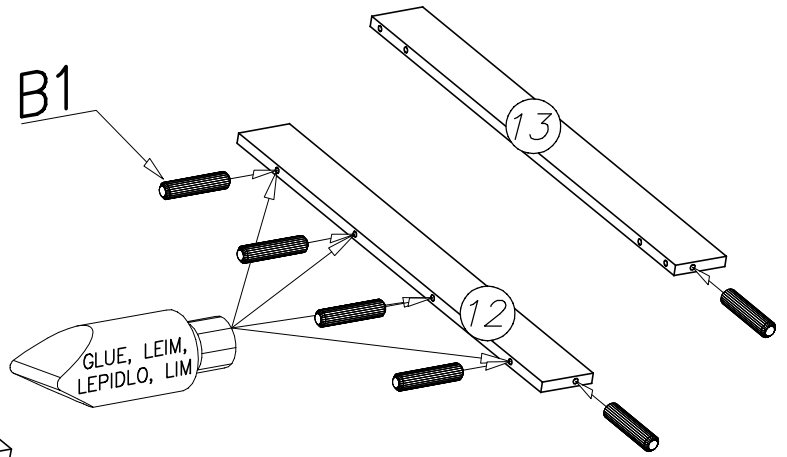
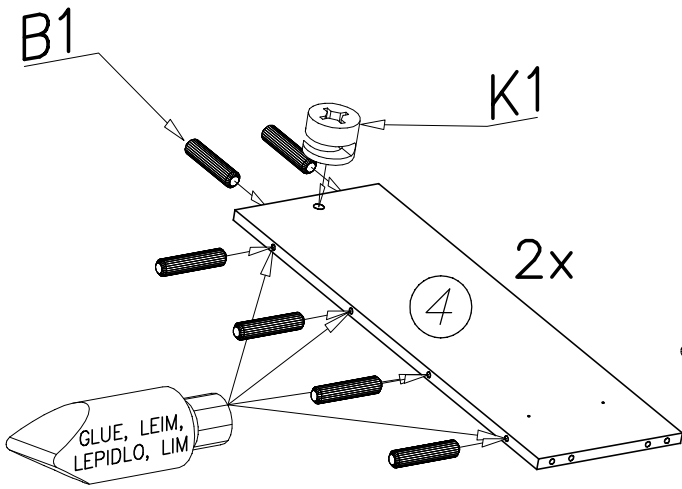
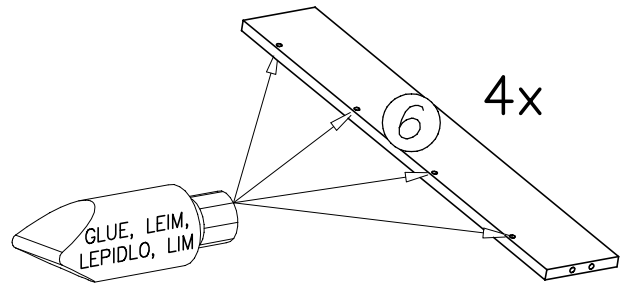
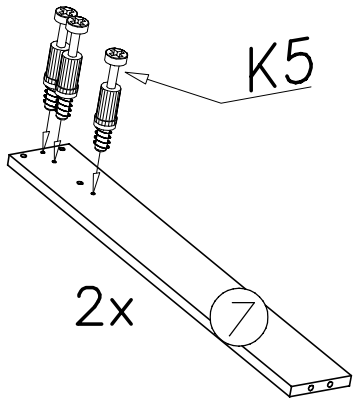


W2 x...(1)	F15 x...(2)	E56 128mm x...(1)	W1 GLUE, LEIM, LEPIDLO, LIM x...(3)	G3 4x30 x...(8)	I7 x...(15)
K5 x...(15)	K1 Ø15x12 x...(15)	B5 x...(15)	B6 x...(15)	P3 x...(14)	H19 x...(1)
B2 Ø6x35 x...(8)	B1 Ø8x35 x...(42)	N31 M6x25 x...(4)	S13 x...(8)	G4 4x16 x...(22)	 x...(1)

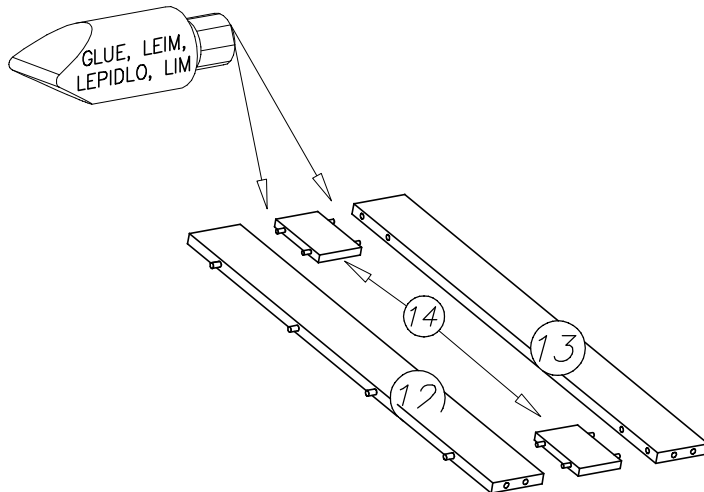


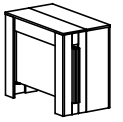


II

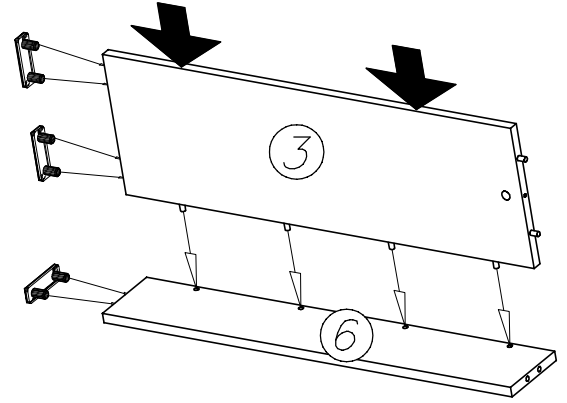
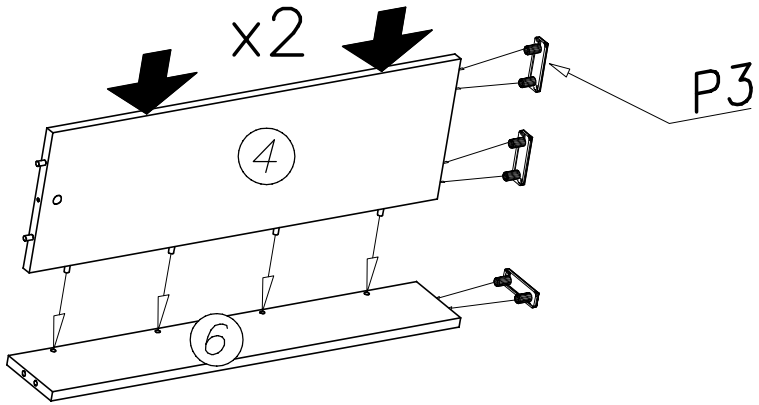


III

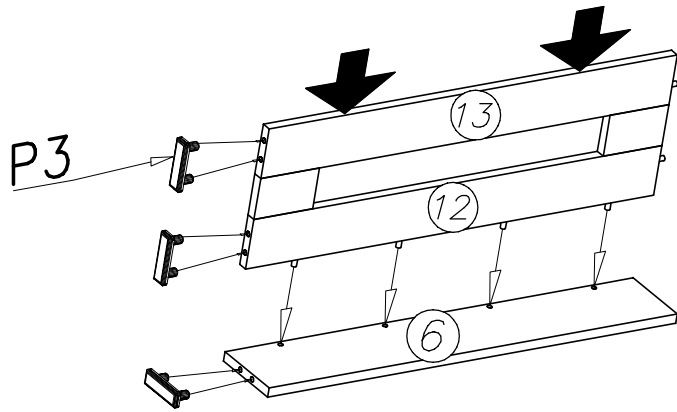
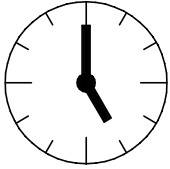




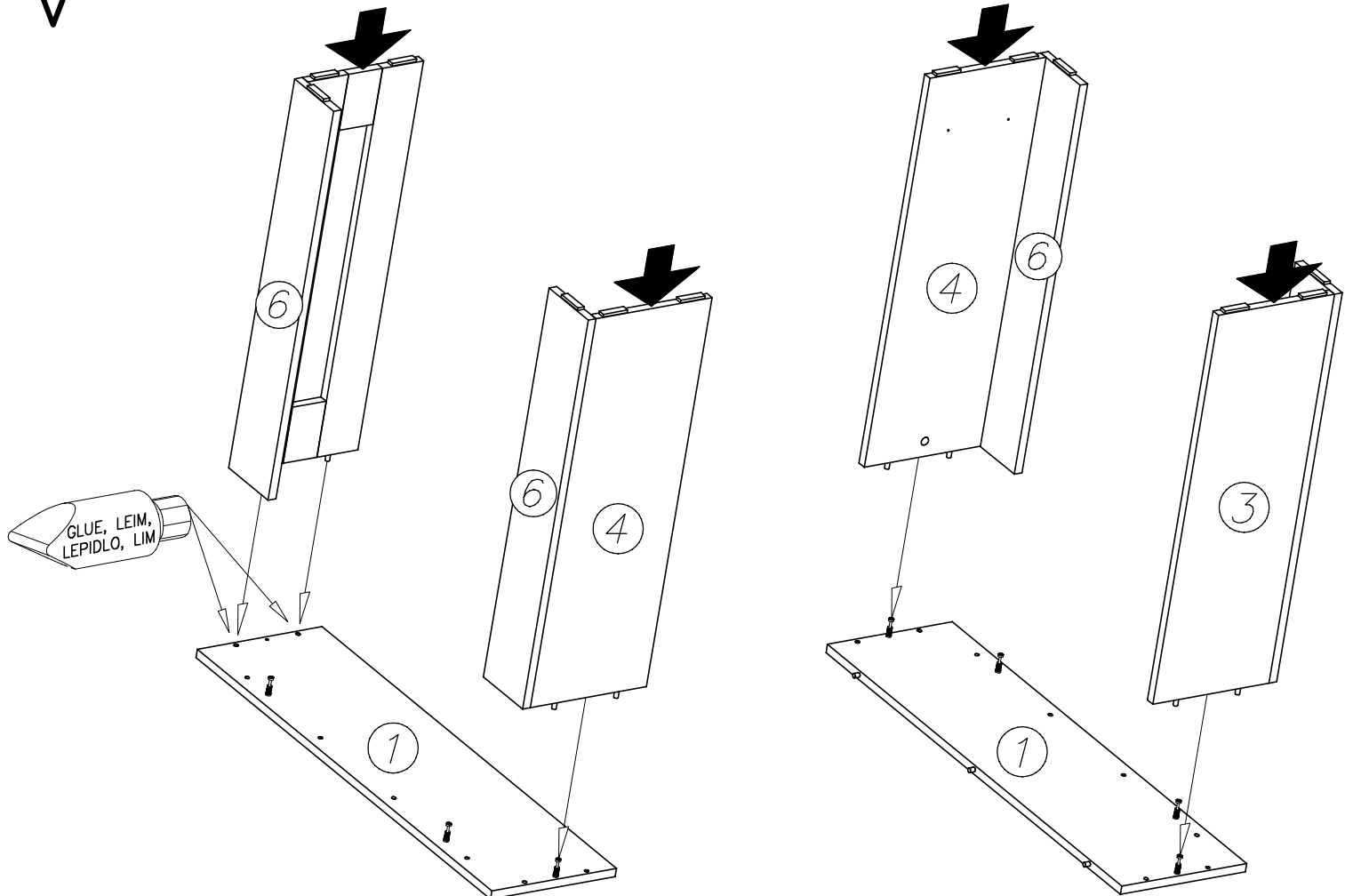
IV

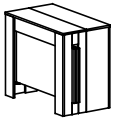


0,5h

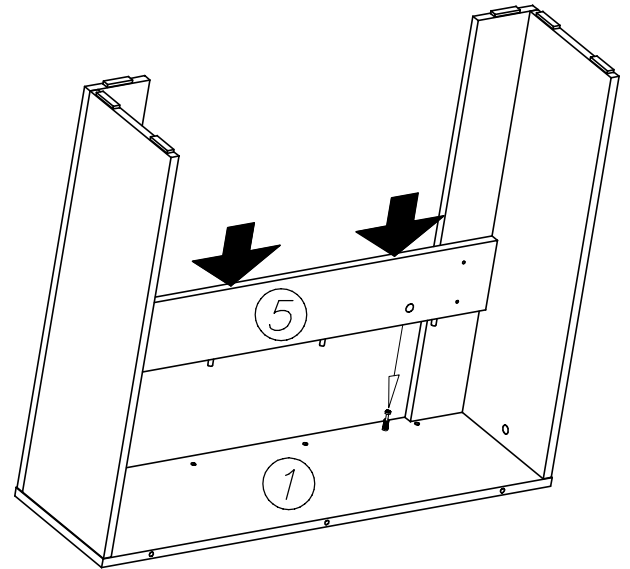
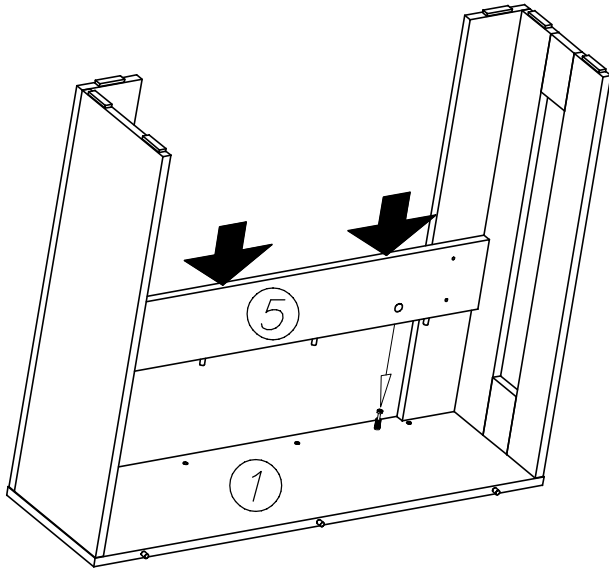
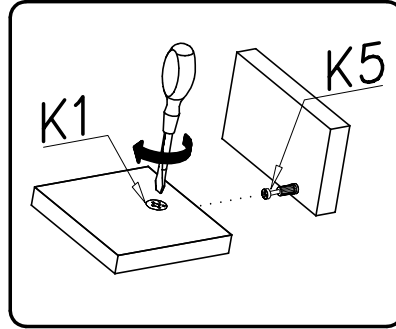


V

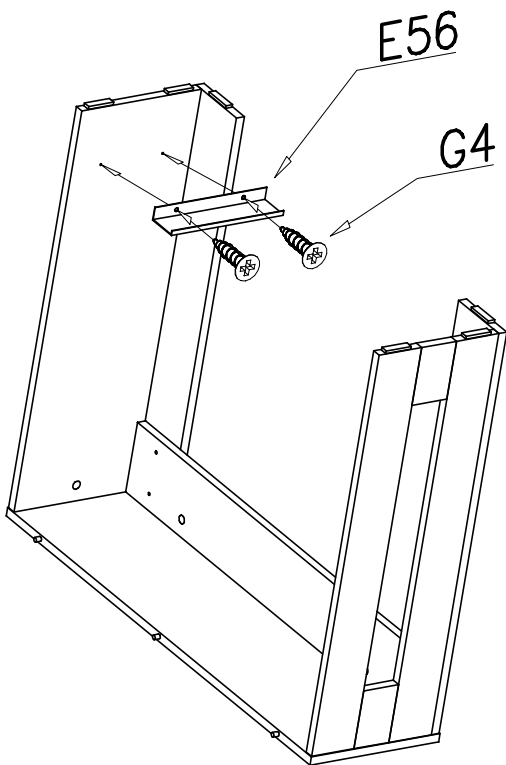




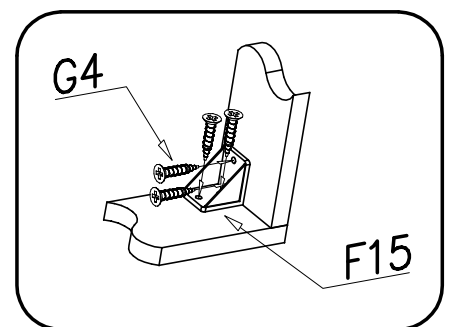
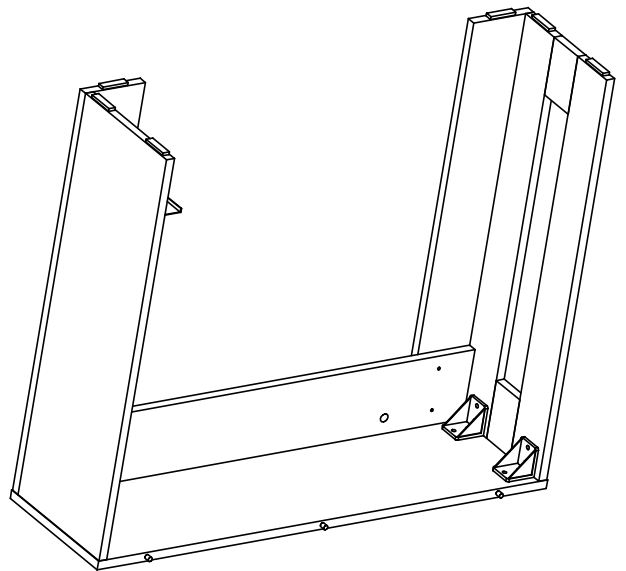
VI

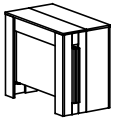


VII

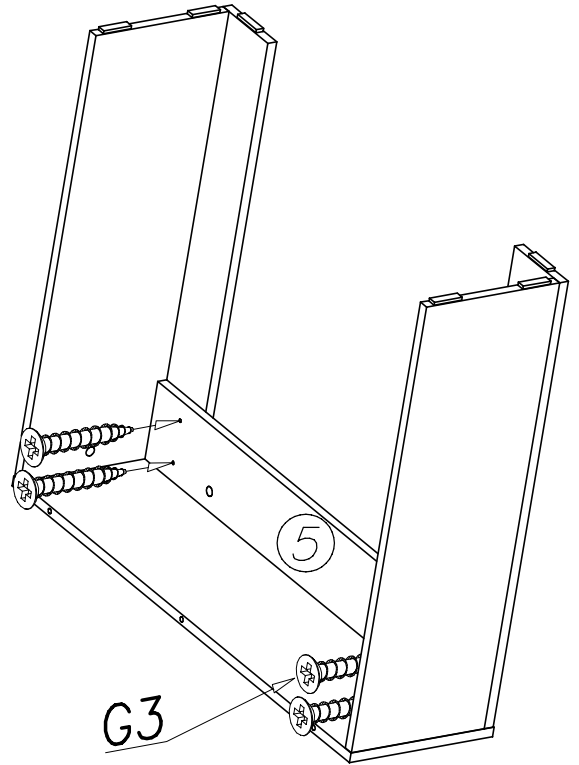
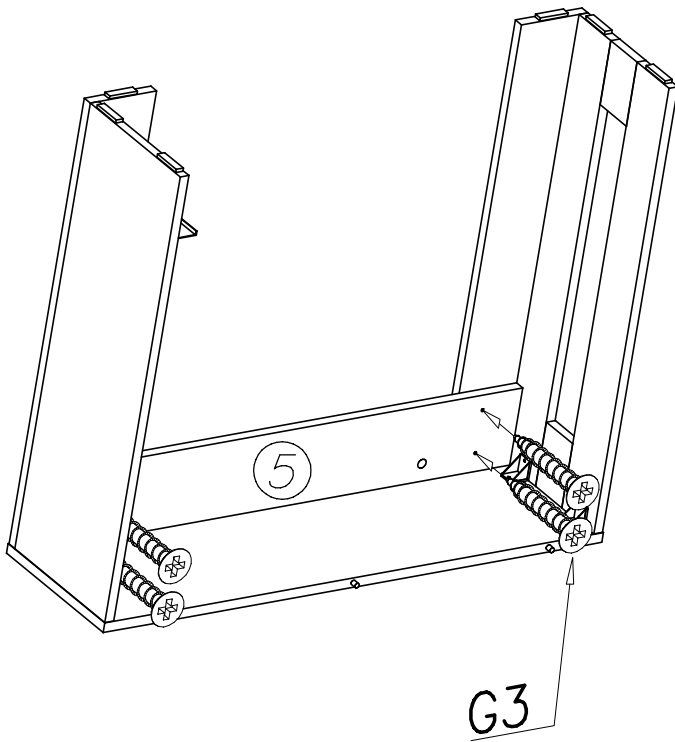


VIII

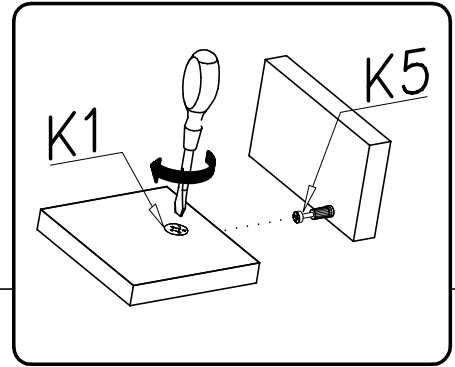
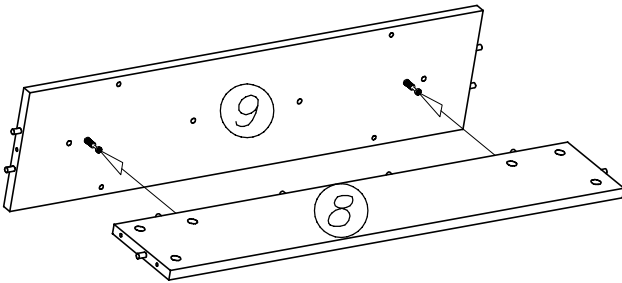




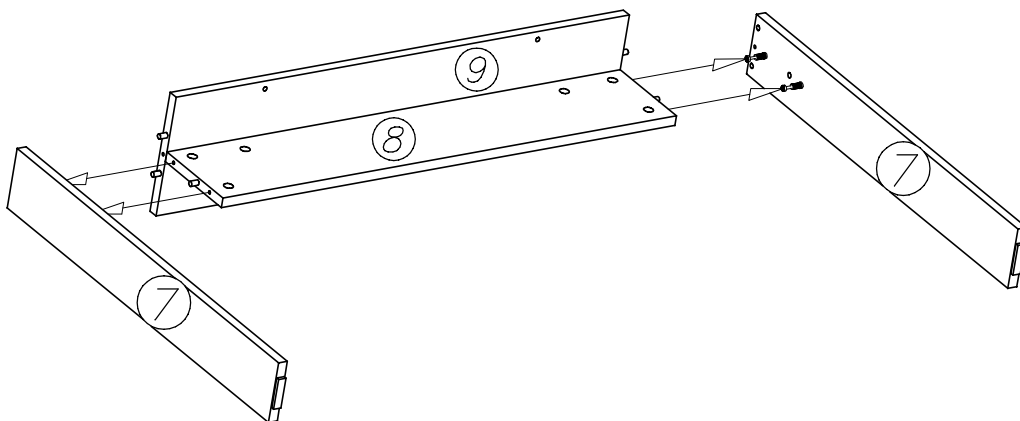
IX

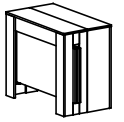


X

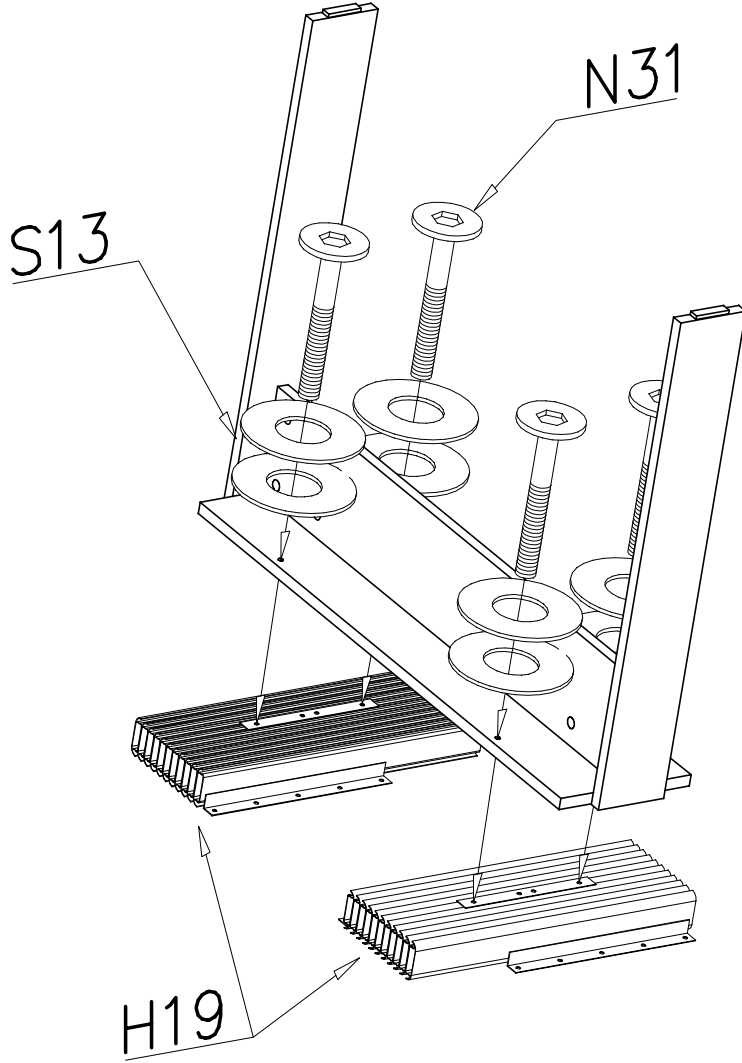


XI

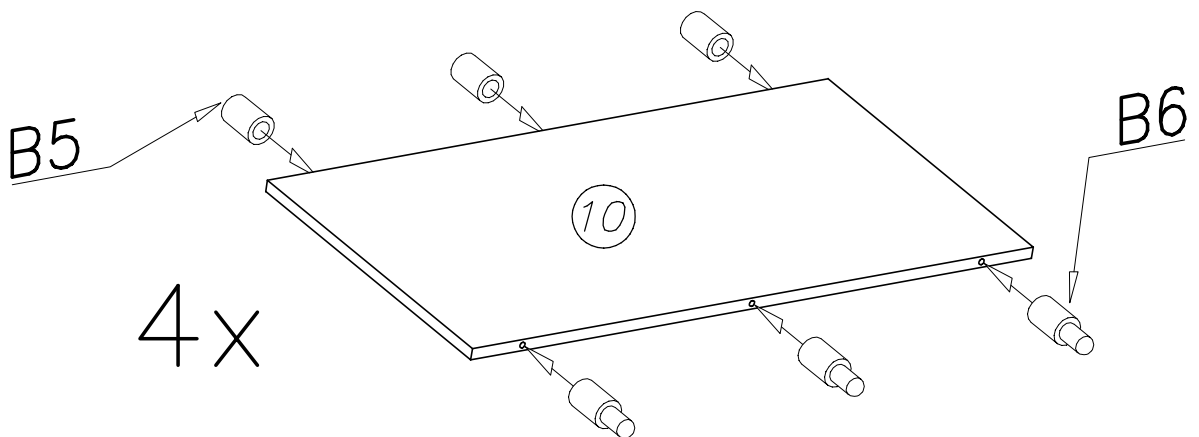


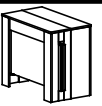


XII

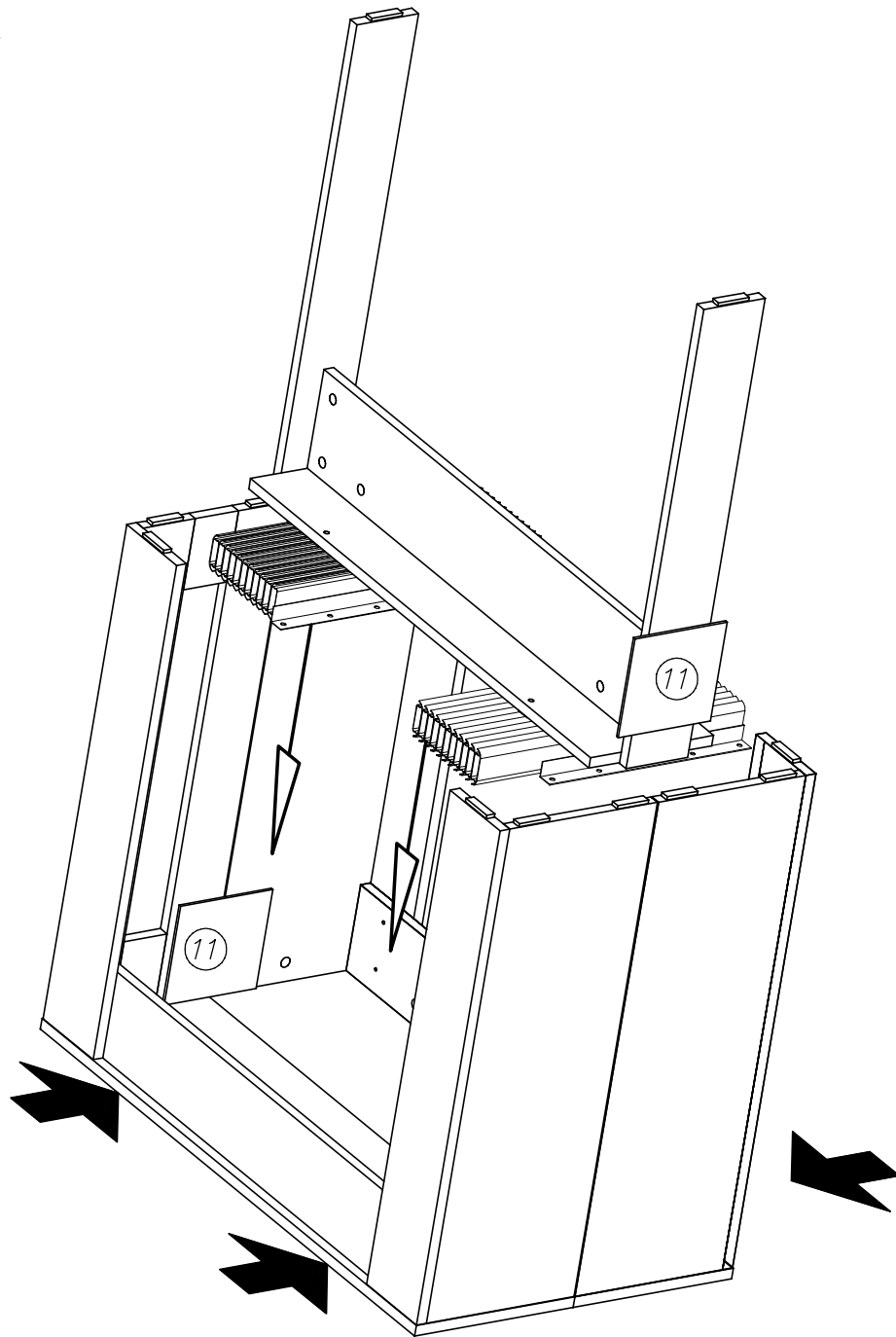


XIII

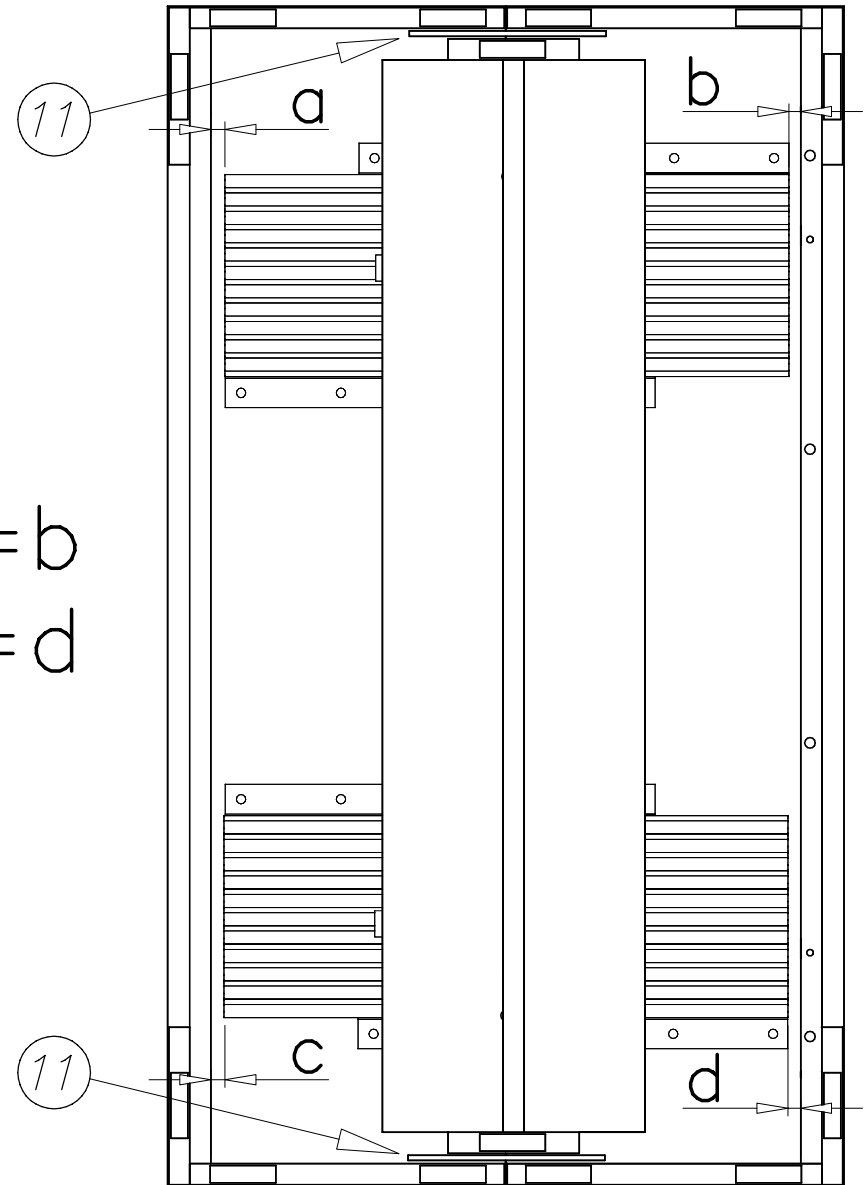


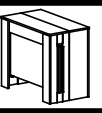


XIV

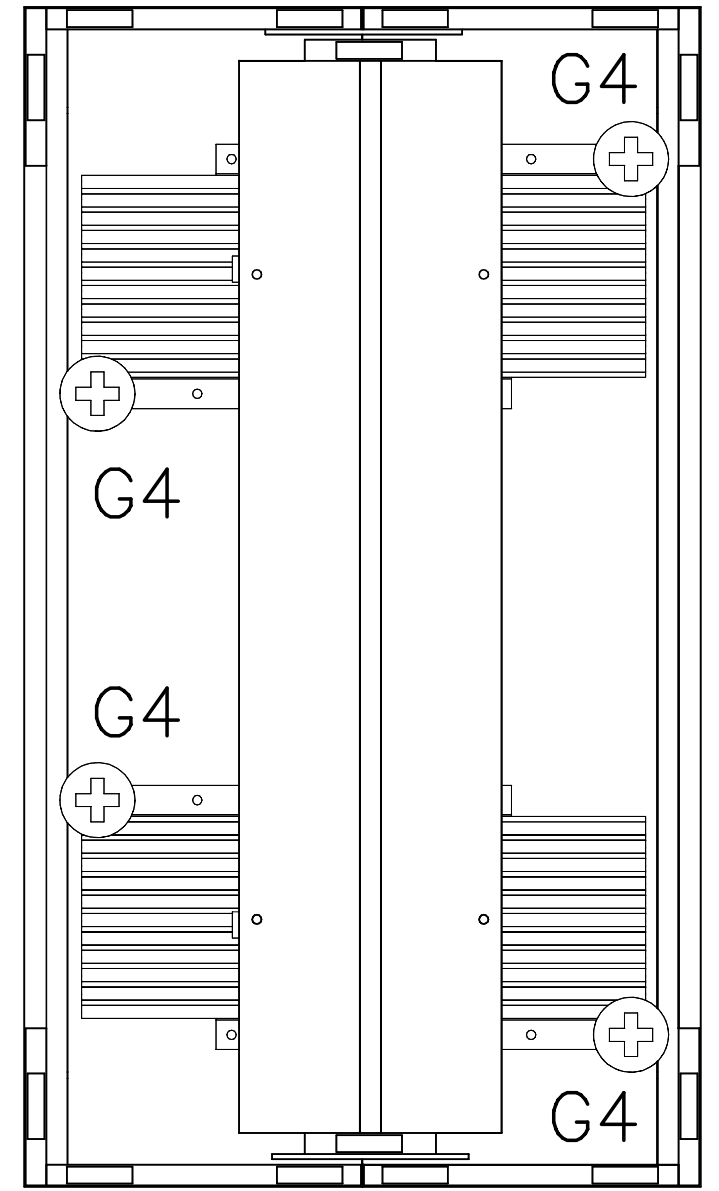
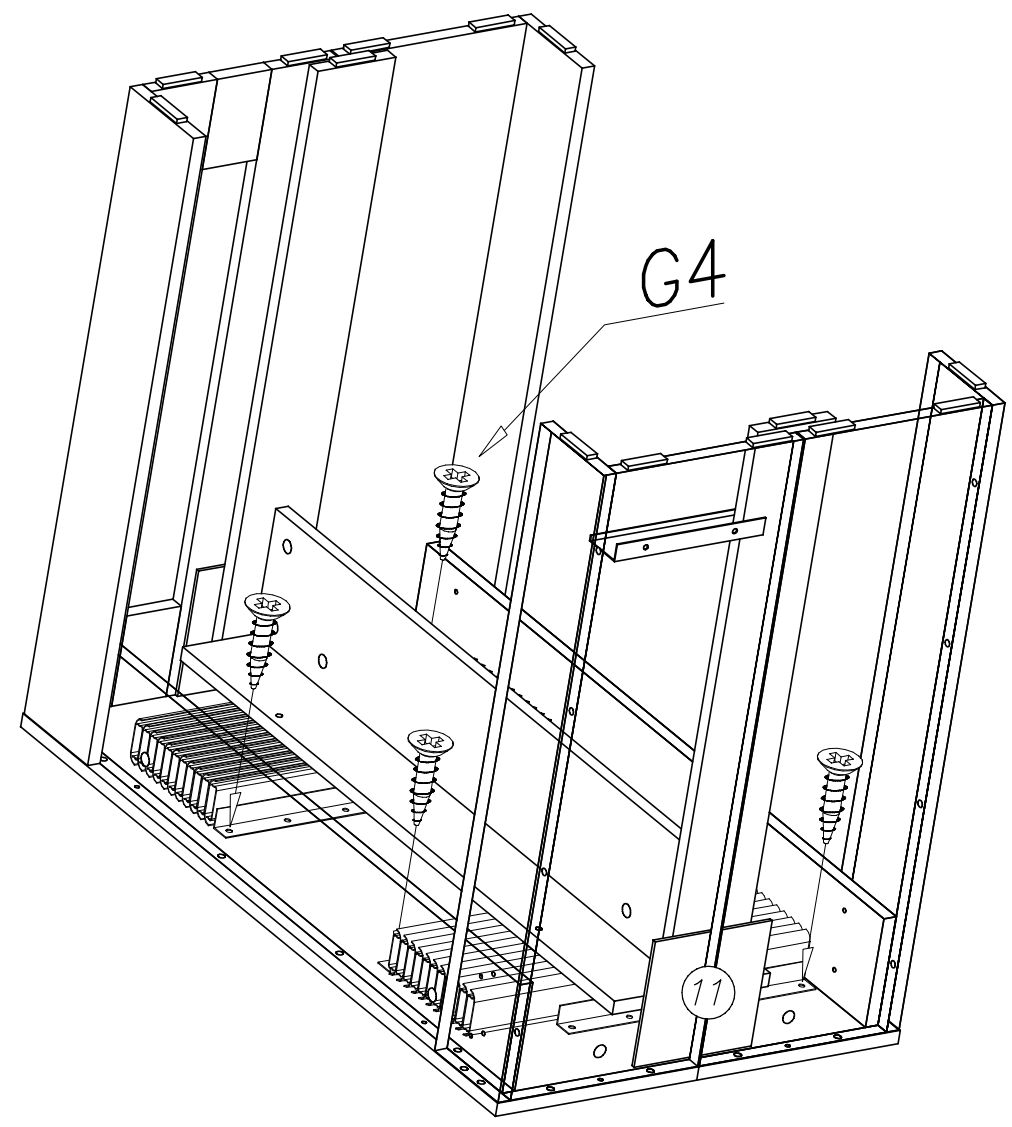


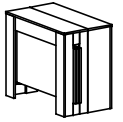
a = b
c = d



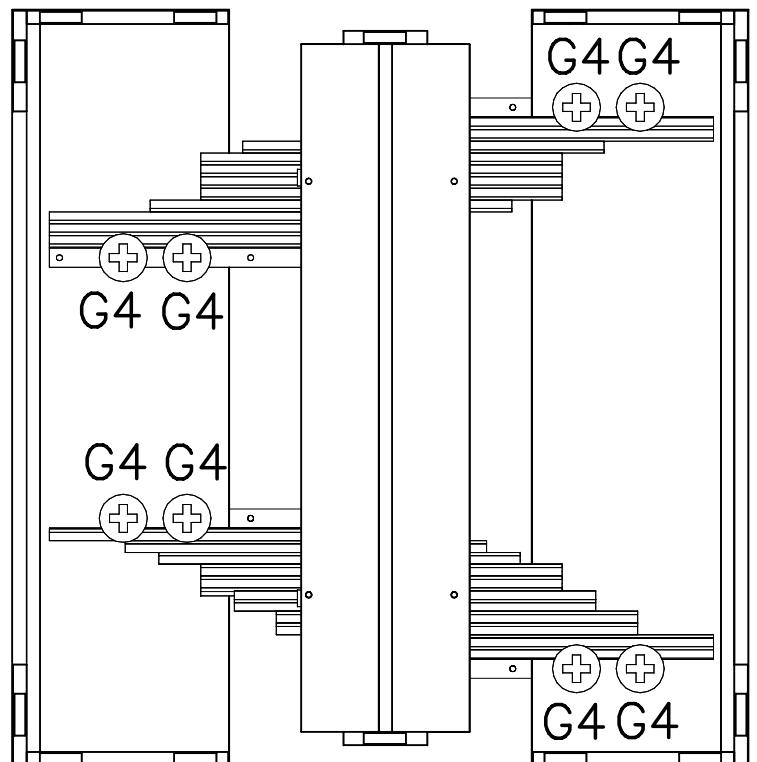
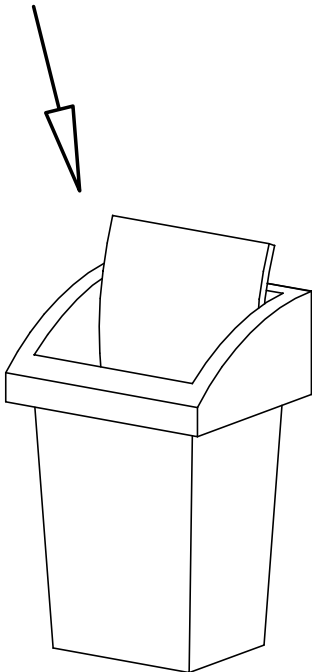
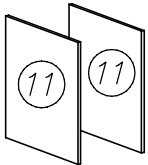
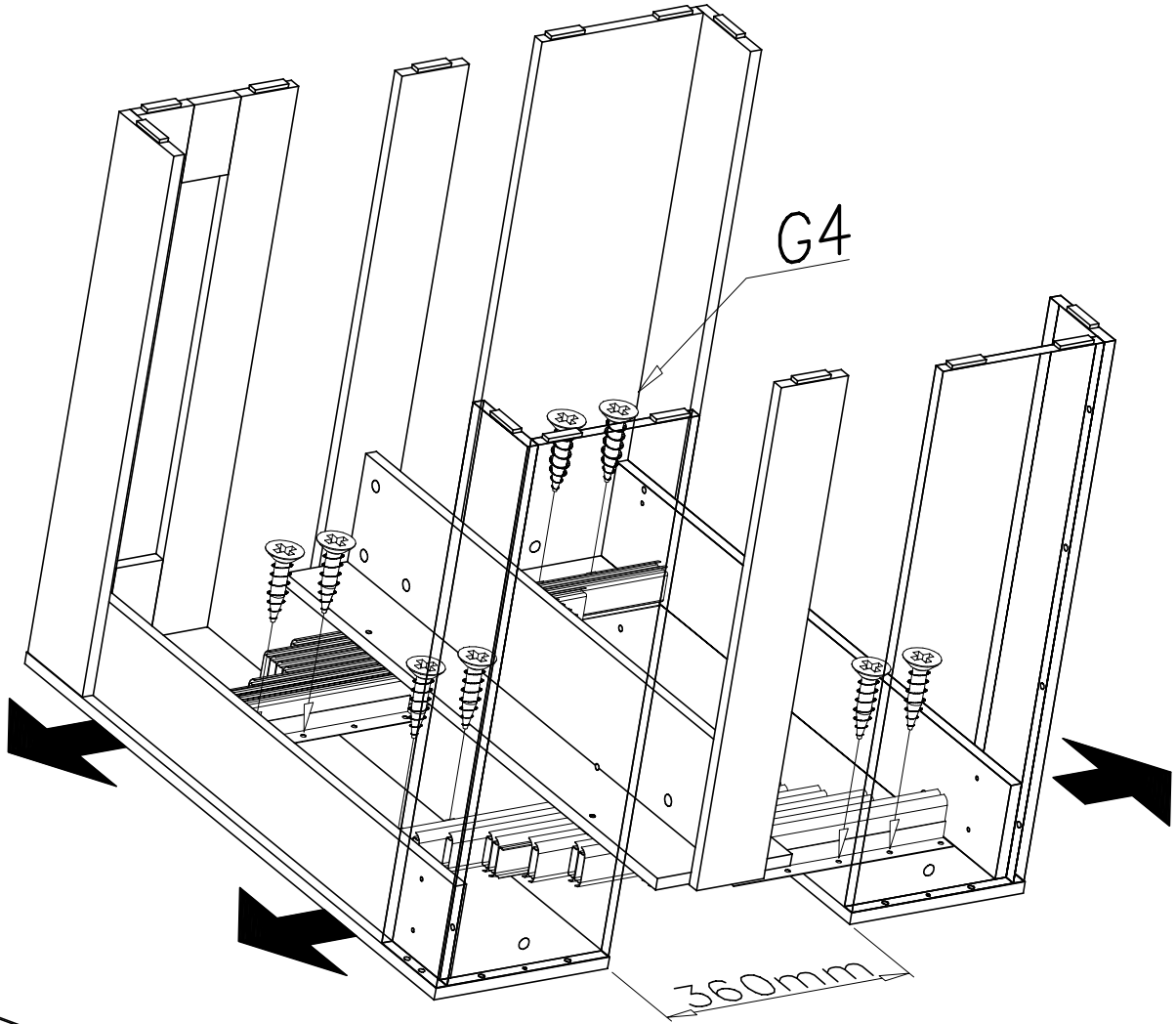


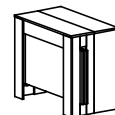
XV



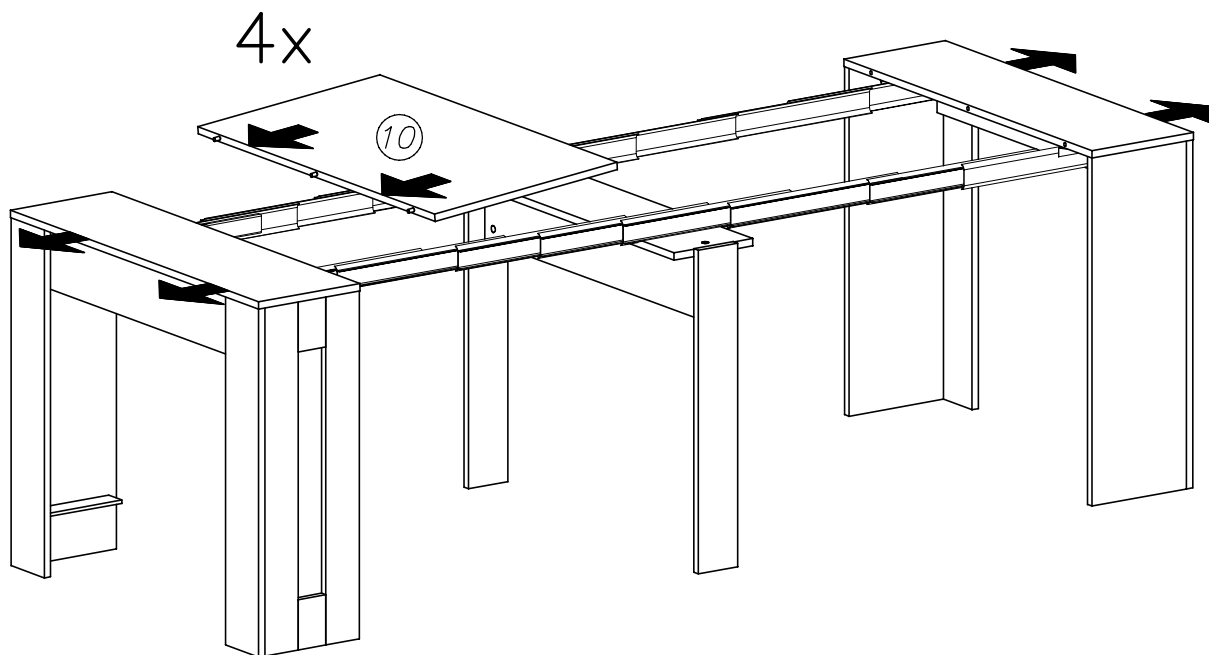


XVI

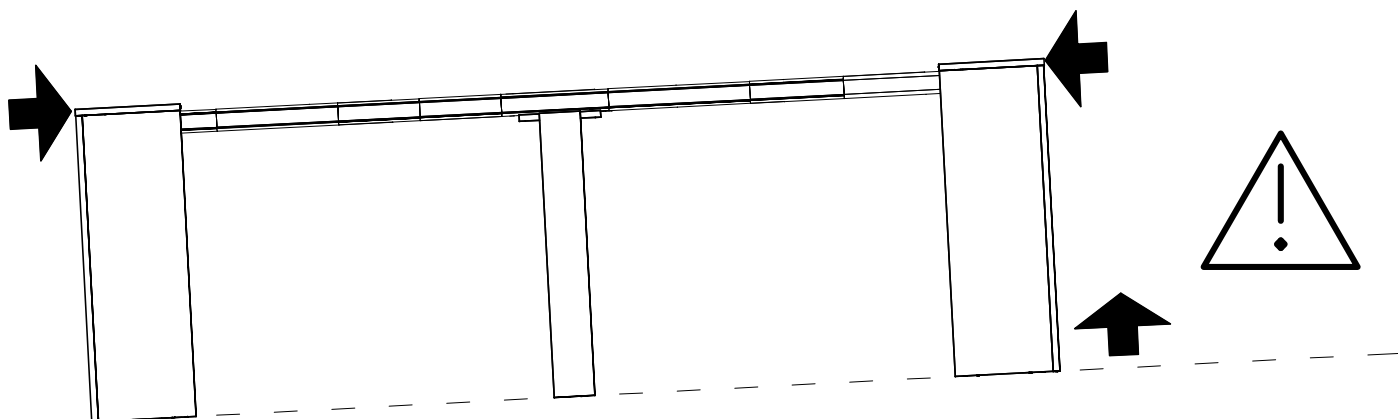




XVII



XVIII



XIX

