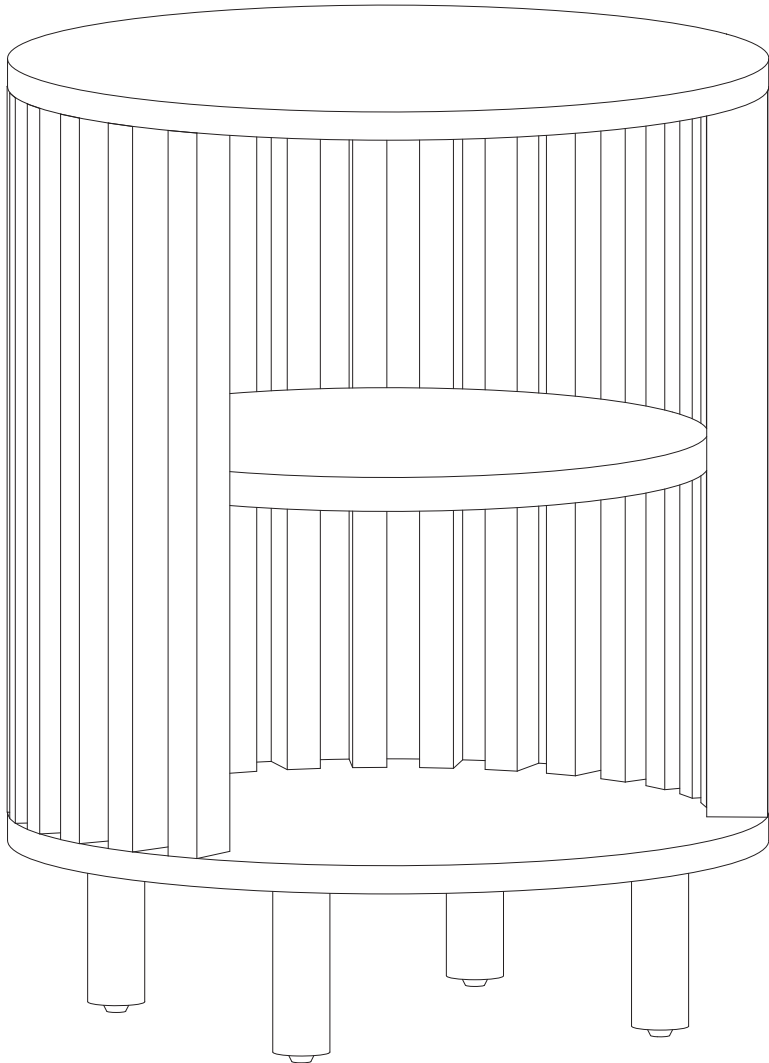


SIDE TABLE

Assembly Instruction



INTRODUCTION

Thank you for purchasing our products. Please read the instructions carefully before installation and keep it in a safe place for future reference. If you need any assistance or support, please feel free to contact our customer support team.

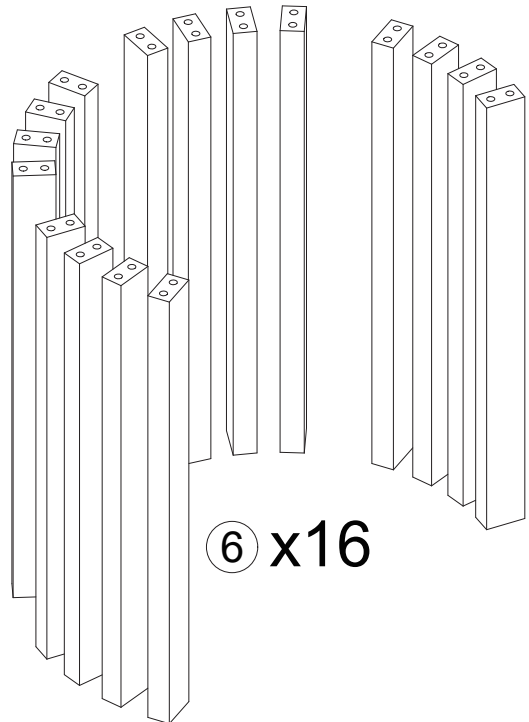
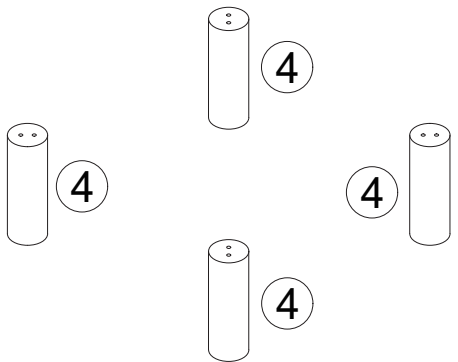
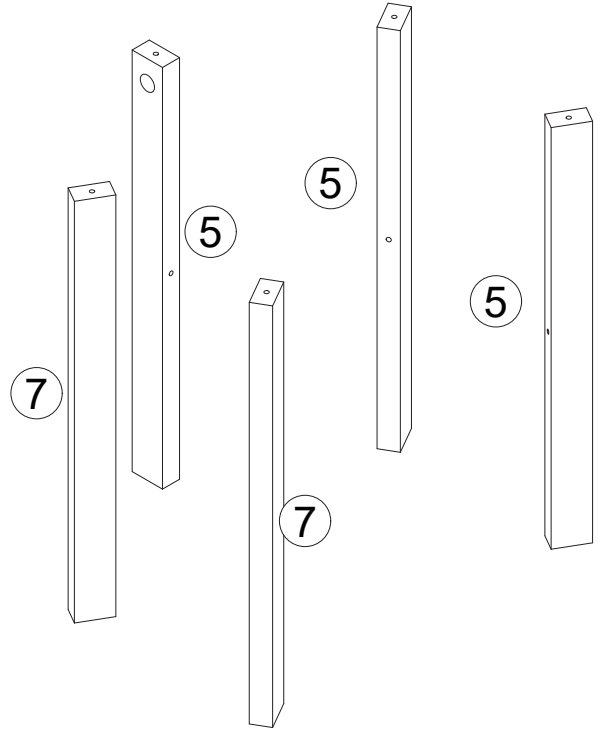
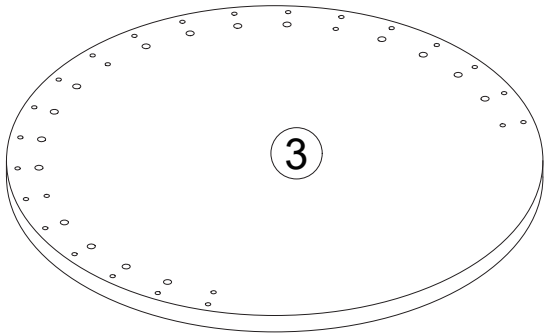
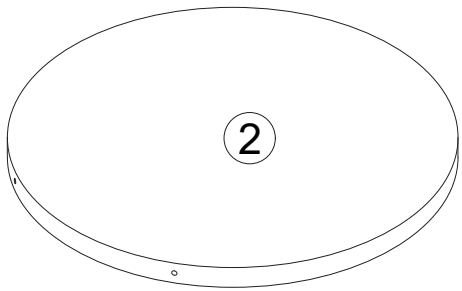
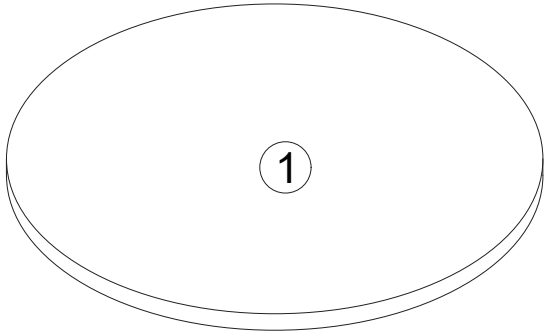
PRECAUTIONS

1. There are many components and accessories in the package. Each component and accessory is labeled with a letter or a number, check carefully before using any of them. Keep them away from children to prevent accidents.
2. Please install the product on a clean and soft underlay (such as carpet or cardboard) to avoid scratching or damaging the surface of the product.
3. The main components of the product is relatively heavy. Please pay attention to safety during installation.
4. The product is not stable during installation. Please do not move it randomly before it is completely installed.
5. This product requires two people to install.
6. If you have any questions during installation, please contact the customer service in time.

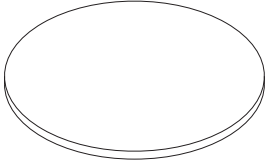
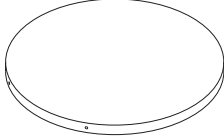
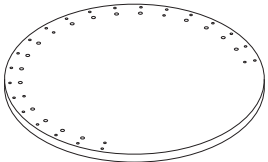




***PLEASE BE SURE TO FOLLOW THE INSTALLATION STEPS IN THE MANUAL TO AVOID UNNECESSARY LOSSES CAUSED BY IMPROPER INSTALLATION.**

***IF YOU NEED FURTHER ASSISTANCE, PLEASE CONTACT THE CUSTOMER SERVICE ONLINE.**






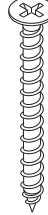
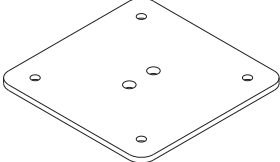
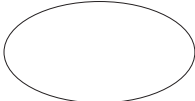
Parts List



Parts List

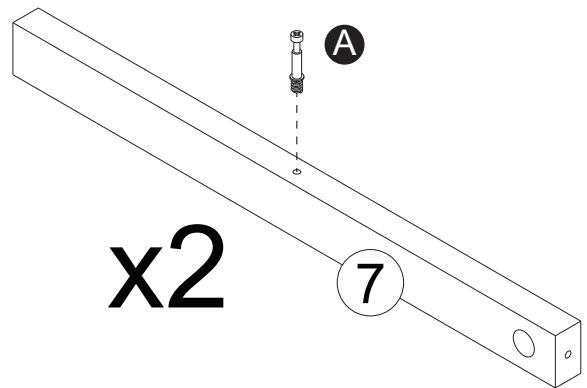
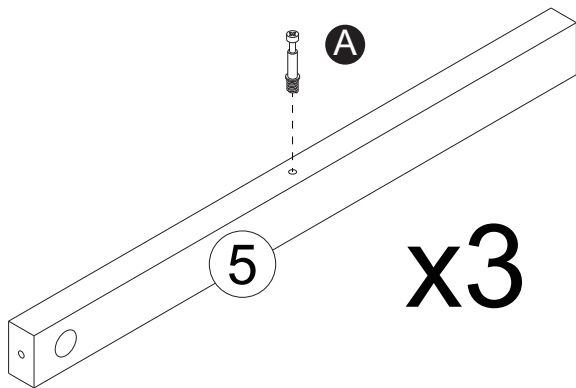
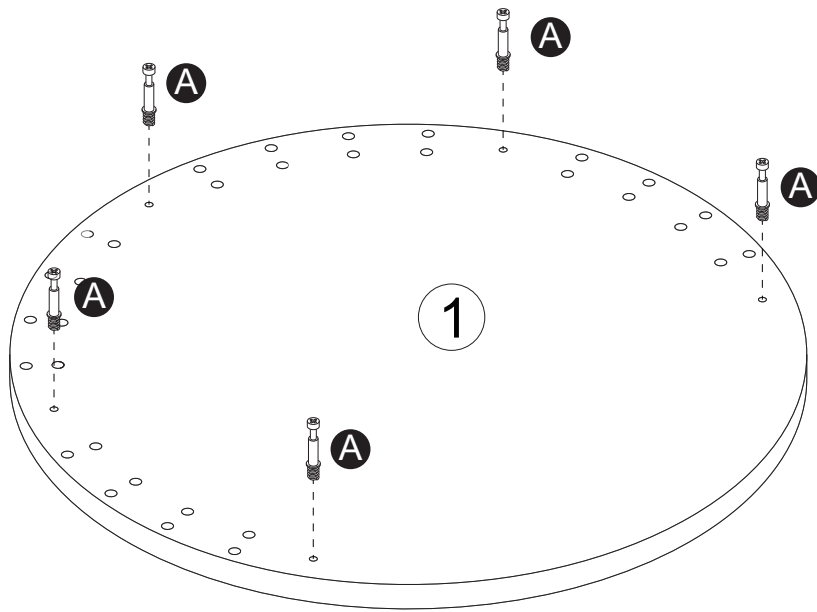
<p>①</p>  <p>x1</p>	<p>②</p>  <p>x1</p>	<p>③</p>  <p>x1</p>	
<p>④</p>  <p>x4</p>	<p>⑤</p>  <p>x3</p>	<p>⑥</p>  <p>x16</p>	<p>⑦</p>  <p>x2</p>

Hardware list

<p>A</p>  <p>6x35mm x10</p>	<p>B</p>  <p>x10</p>	<p>C</p>  <p>6x30mm x48</p>
<p>D</p>  <p>4x14mm x16</p>	<p>E</p>  <p>4x30mm x8</p>	<p>F</p>  <p>4x40mm x26</p>
<p>G</p>  <p>x4</p>	<p>H</p>  <p>x10</p>	

STEP 1

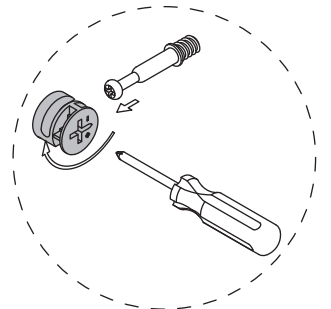
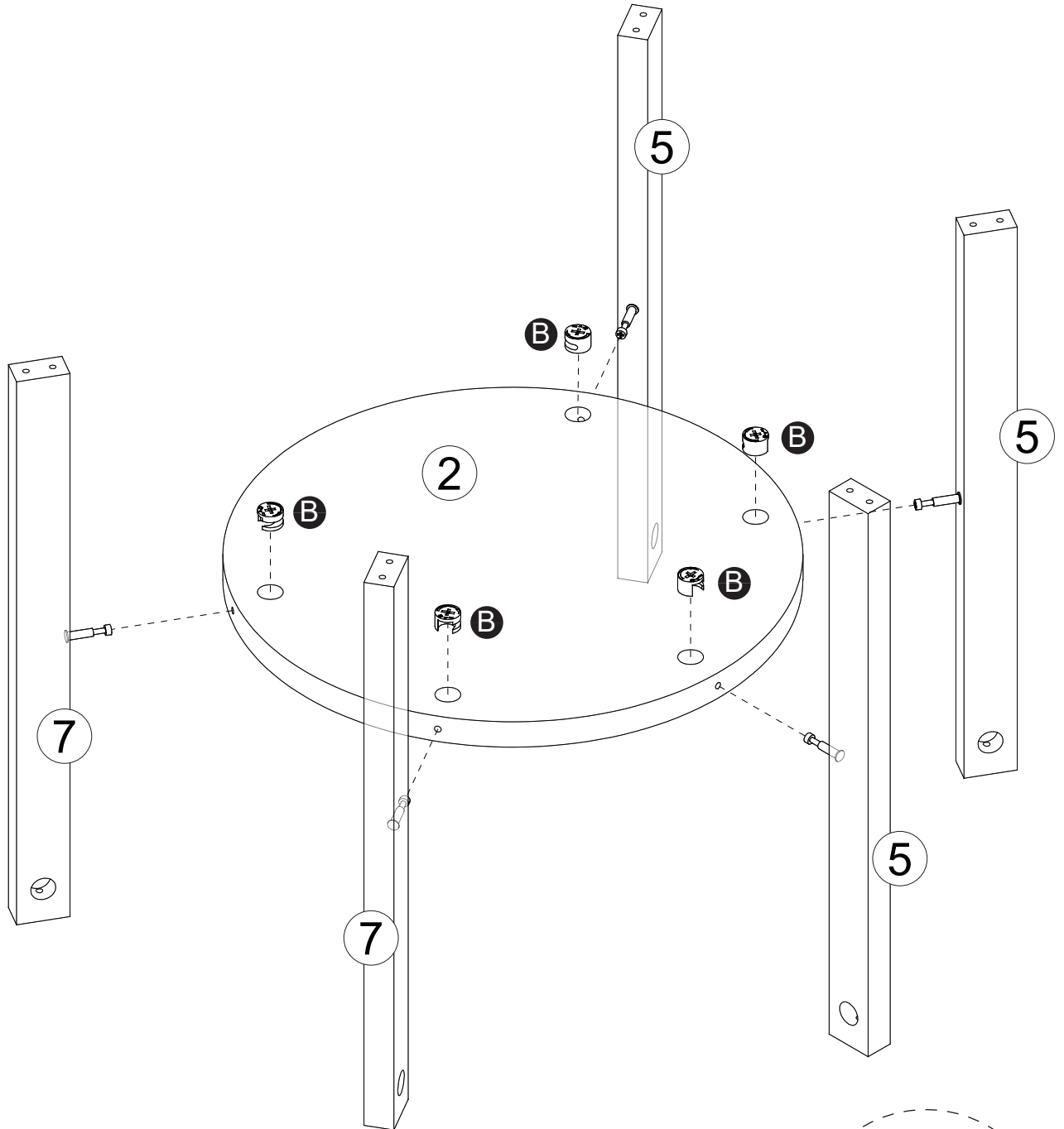
 **A** x 10



STEP 2



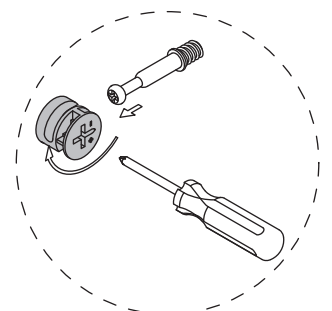
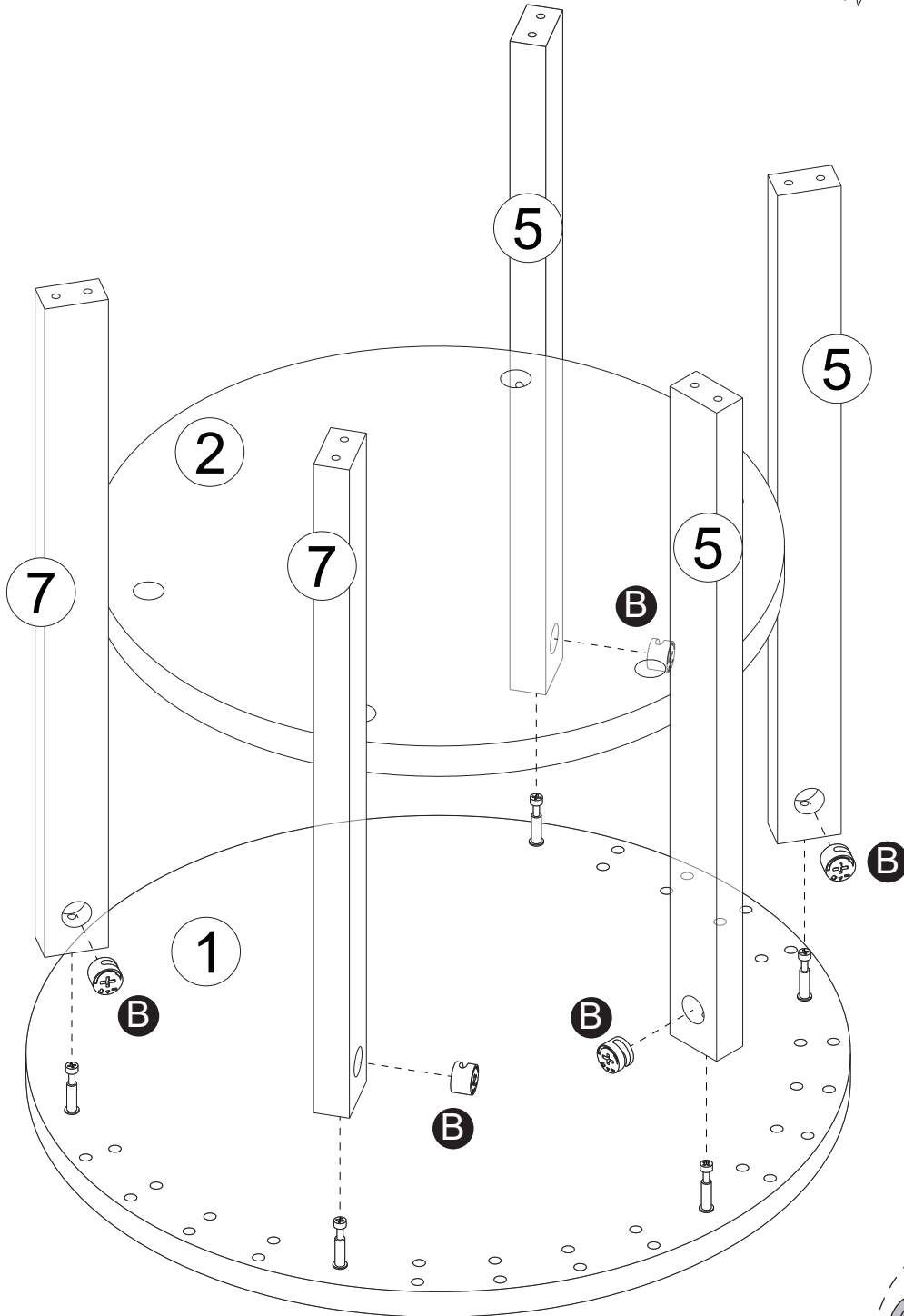
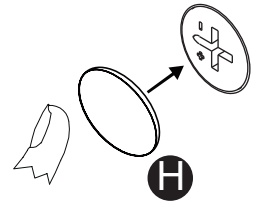
B x 5



STEP 3

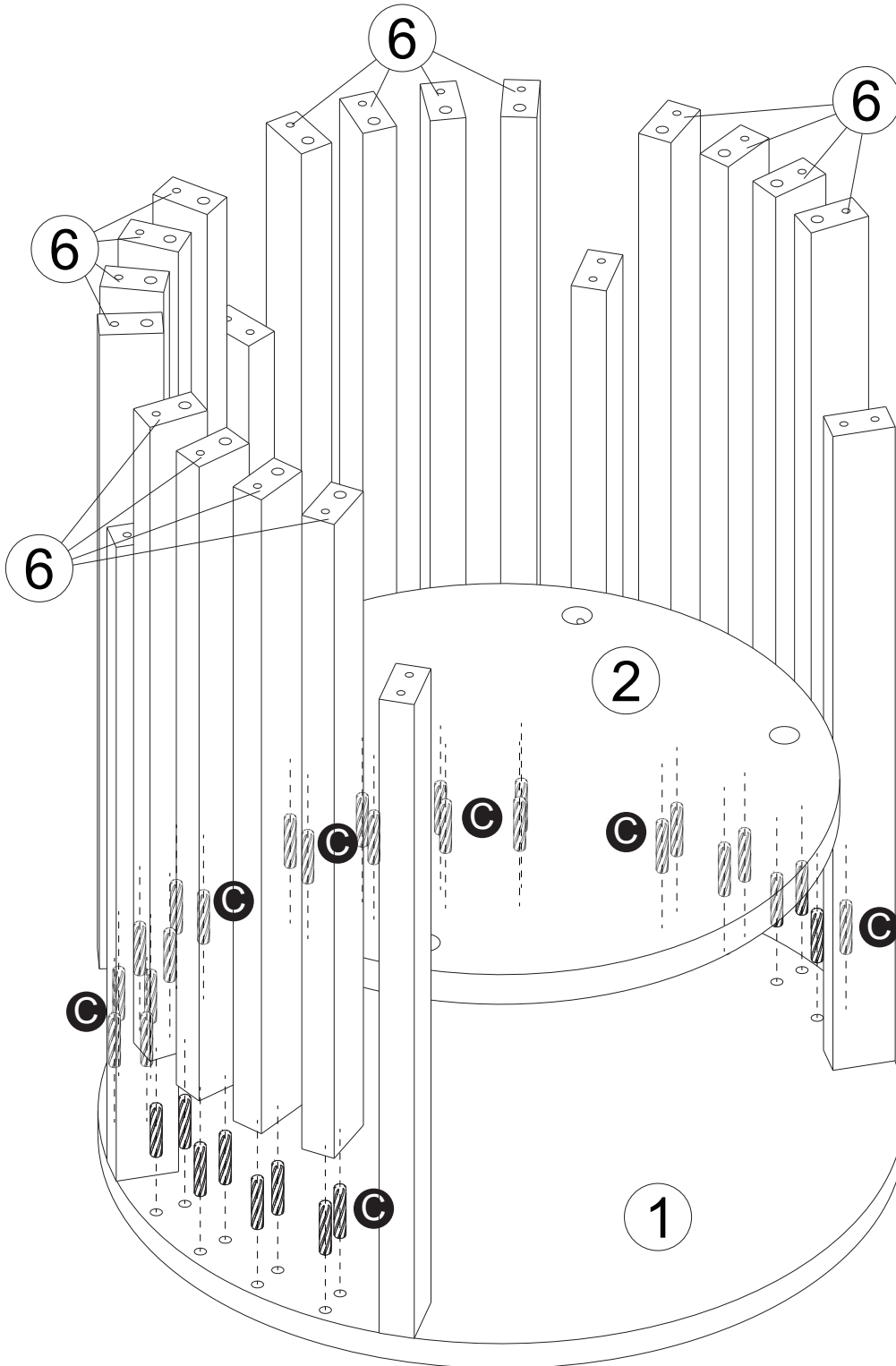
 **B** x 5

 **H** x 10



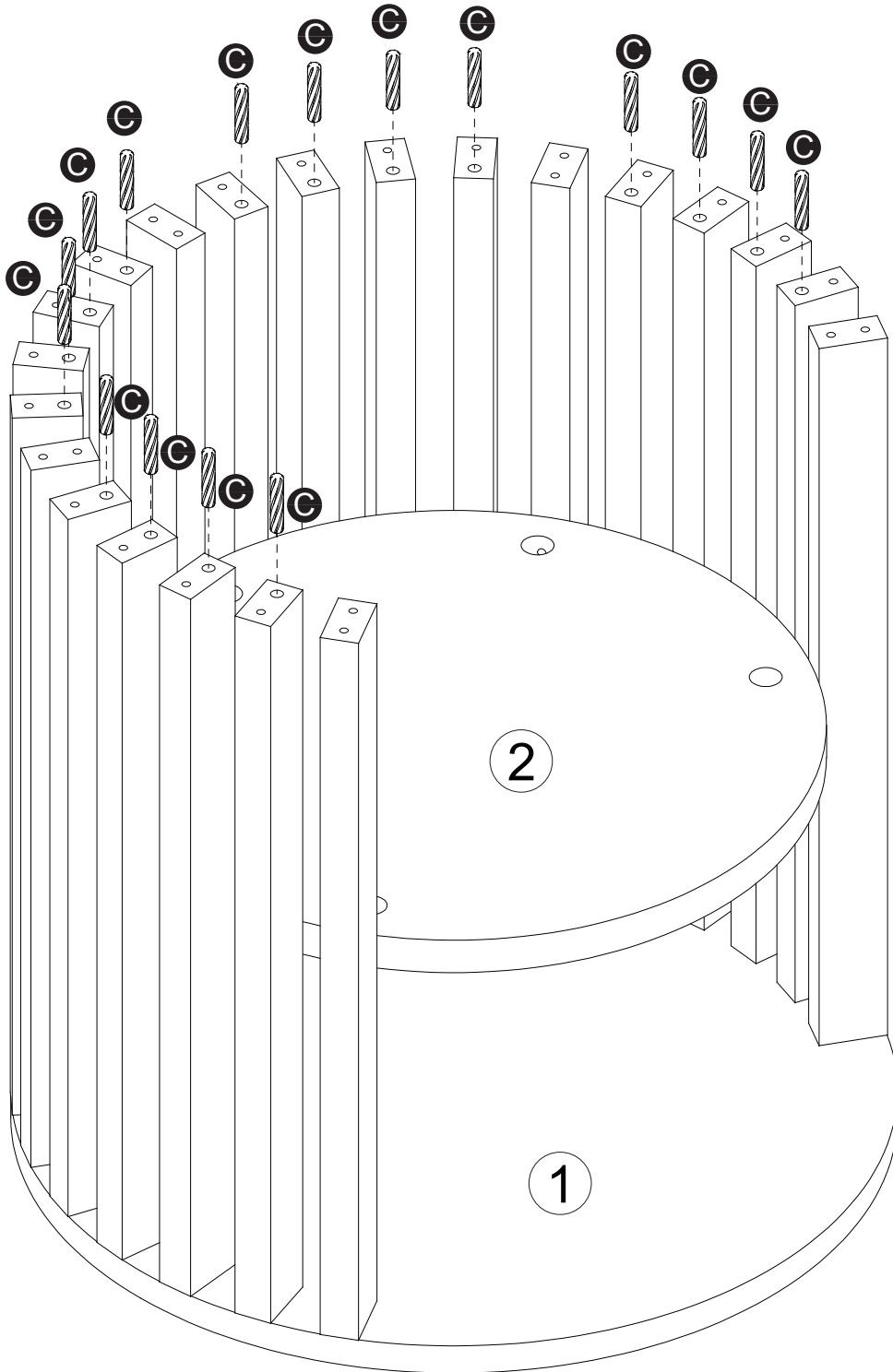
STEP 4

  x 32



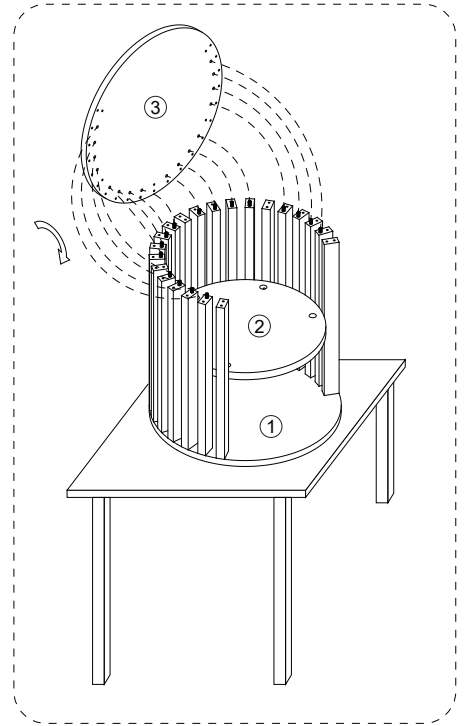
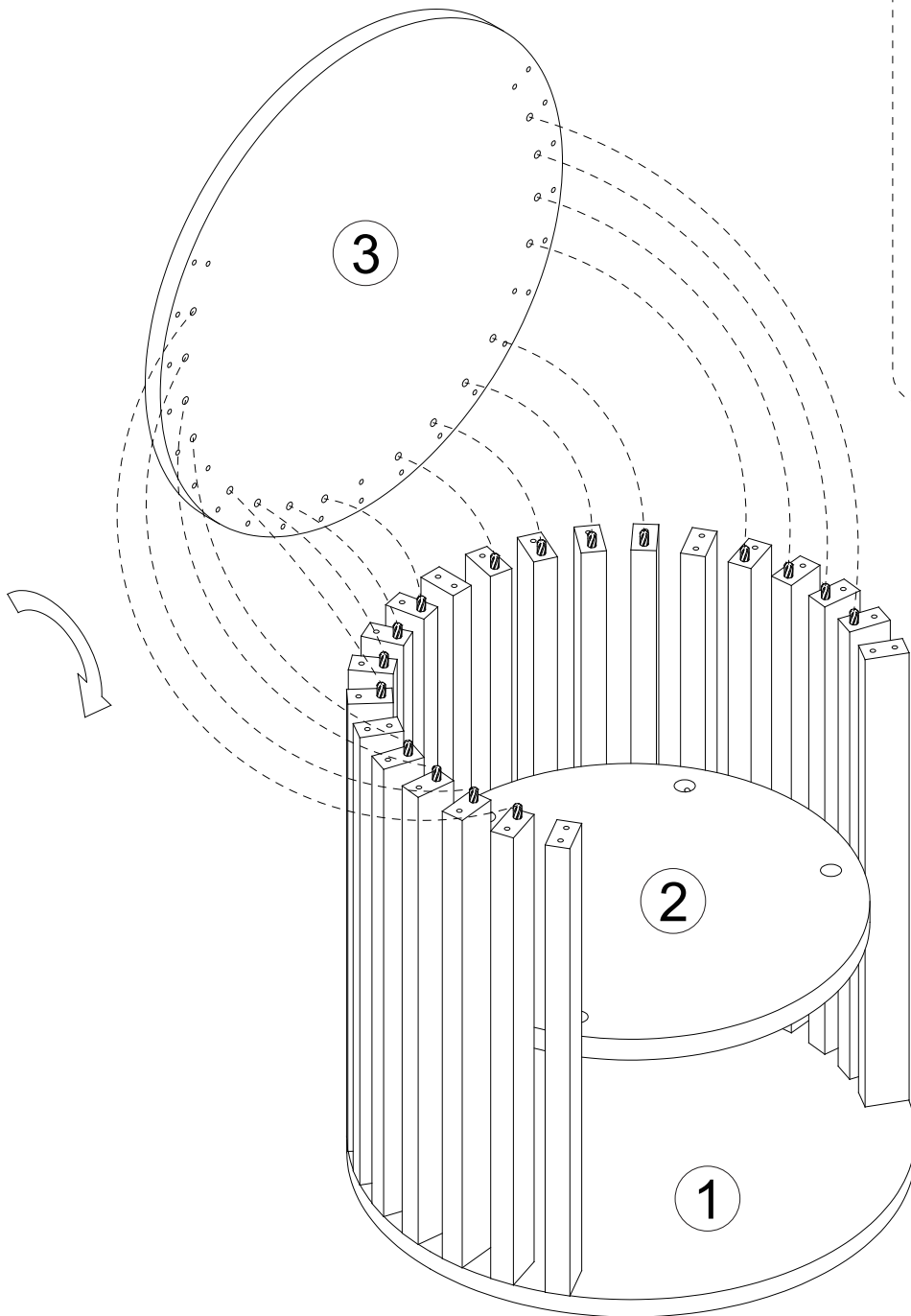
STEP 5

 **C** x 16



STEP 6

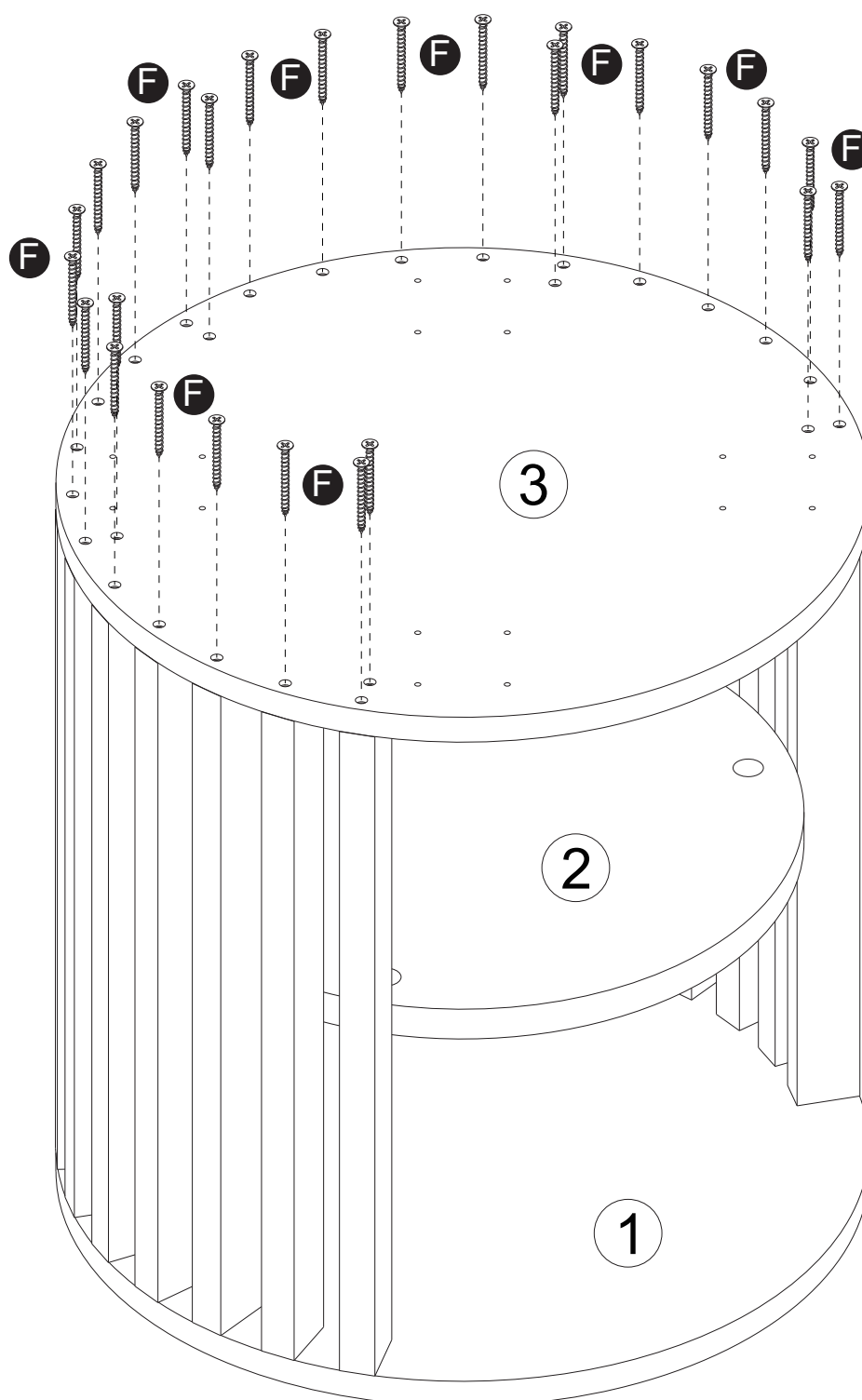
Noted: Please put the sidetable on the desk so that you can see the dowel and hole, it will help to make the assembly more easier.

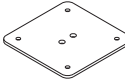


Noted: Please pay attention on the putting the every dowel (part C) insert into the holes under part 3, from the first one to the last one one after another. This is the key step, need your more patience on it.

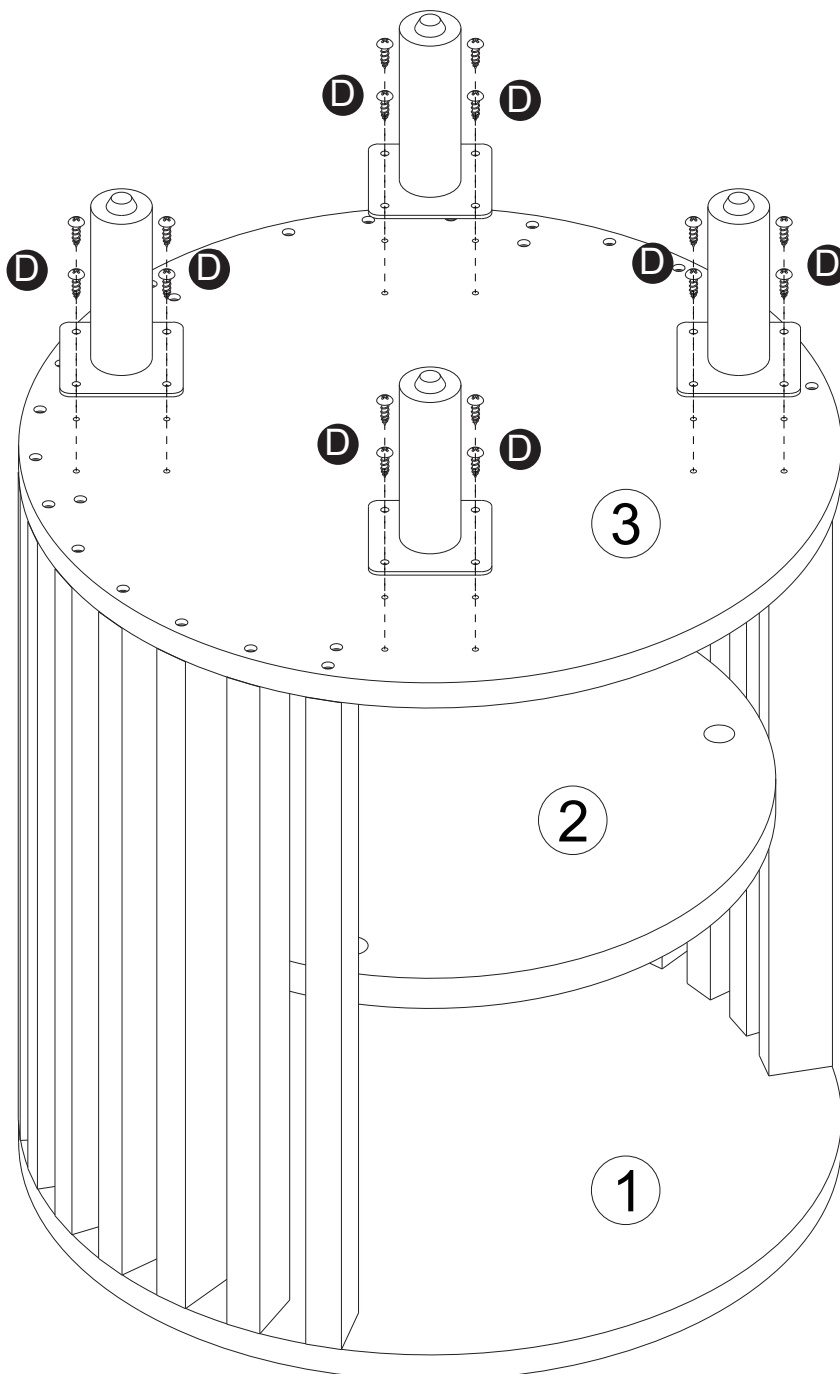
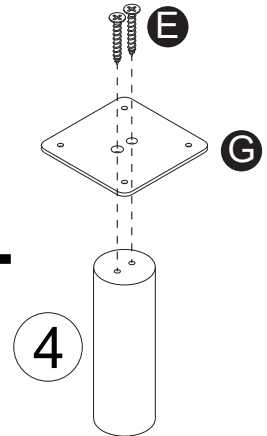
STEP 7

 **F** x 26



STEP 8 **D** x 16 **E** x 8 **G** x 4

Noted: concave grooves of the two middle holes on the part G facing upwards.

x4

STEP 9

