

Platform Bed

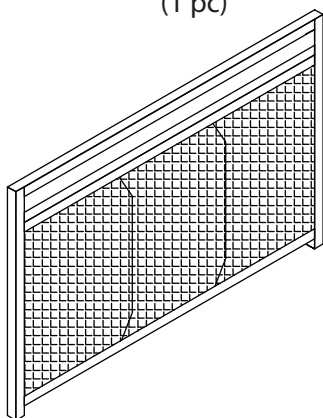
Contains One (1) Bed and Hardware

IMPORTANT NOTE:

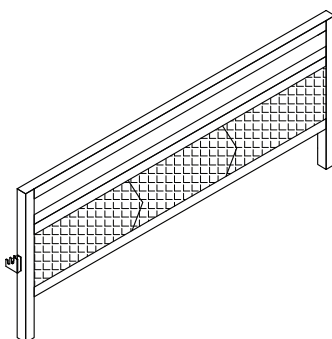
Carefully remove all the parts from the box. Arrange on a flat surface and verify you have all of the following parts and hardware.

PARTS AND HARDWARE LIST

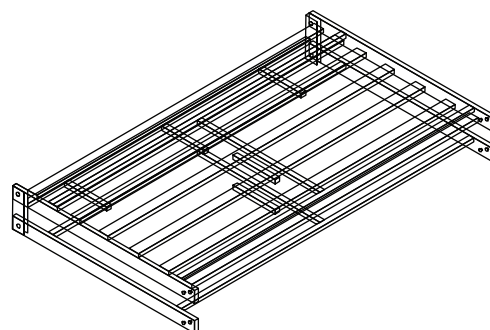
A. Headboard
(1 pc)



B. Footboard
(1 pc)



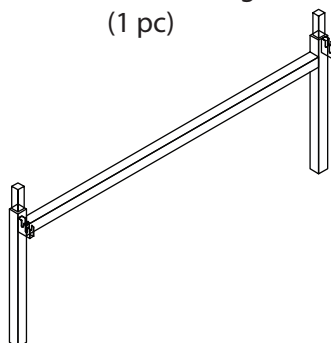
C. Frame
(1 pc)



D. Center Leg
(2 pcs)

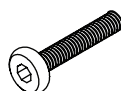


E. Headboard Legs
(1 pc)

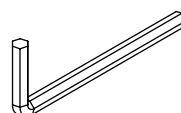


HARDWARE LIST

F. Bolt
(2 pcs)

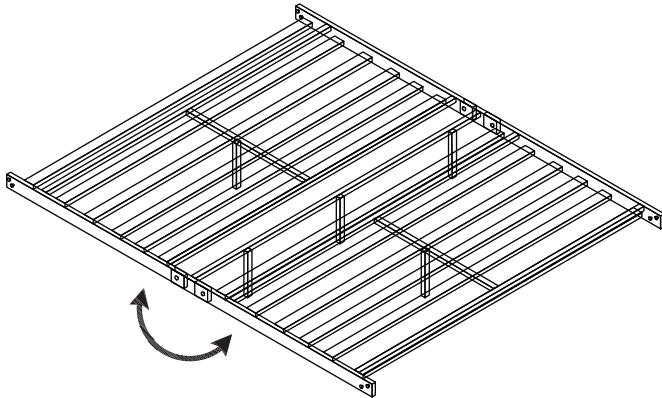


G. Hex Key
(1 pc)



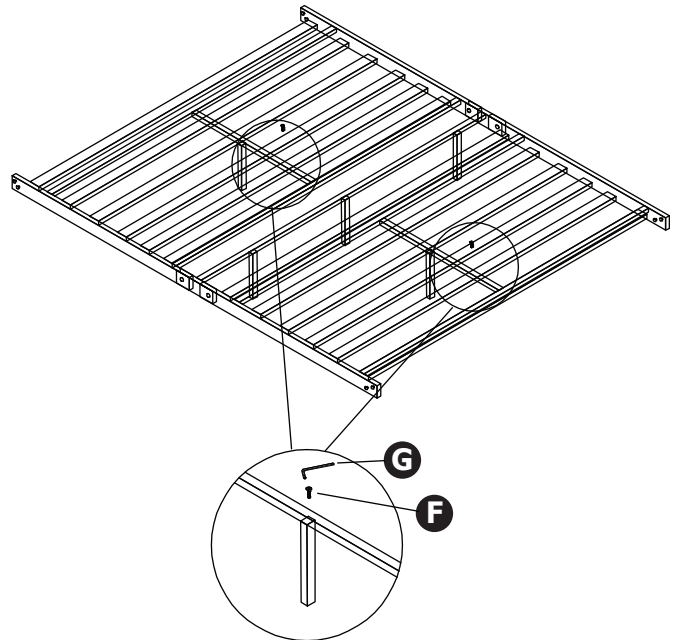
ASSEMBLY INSTRUCTIONS

STEP 1



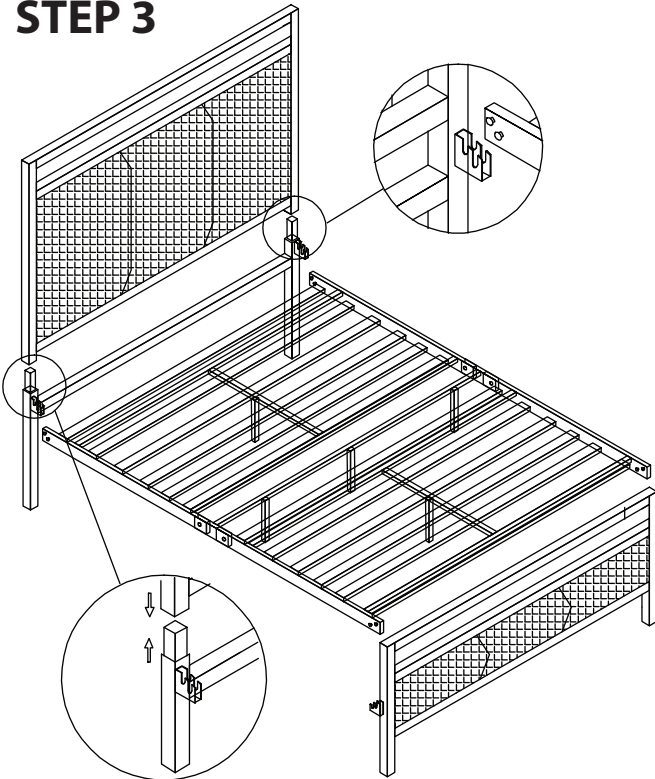
Set the Frame (Part C) on its side and unfold it.

STEP 2



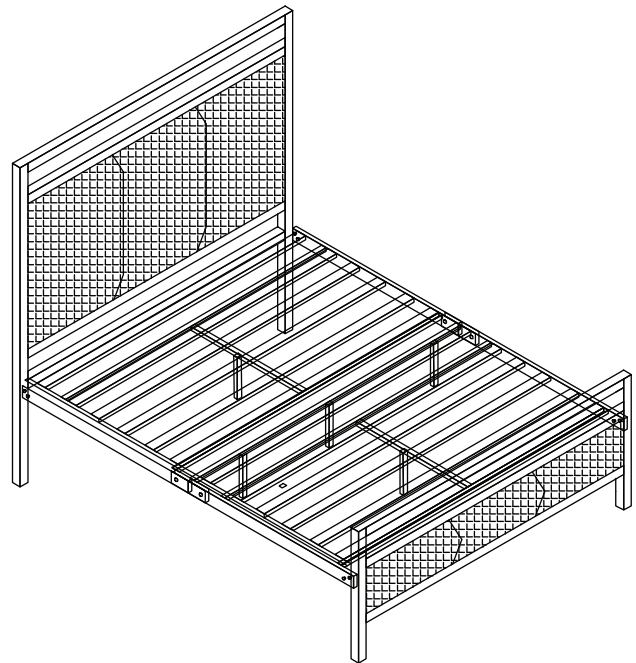
Attach center legs (Part D) to center support rail using 2 Bolts (Part F) and Hex Key (Part G). Secure tightly.

STEP 3



Insert Headboard Legs (Part E) into the Headboard (Part A). Attach the Headboard (Part A) and the Footboard (Part B) to the Frame (Part C) by sliding the bolts on the ends of the frame into the slots on the Headboard and Footboard.

STEP 4



Your Platform Bed is now completely set up and ready for use.