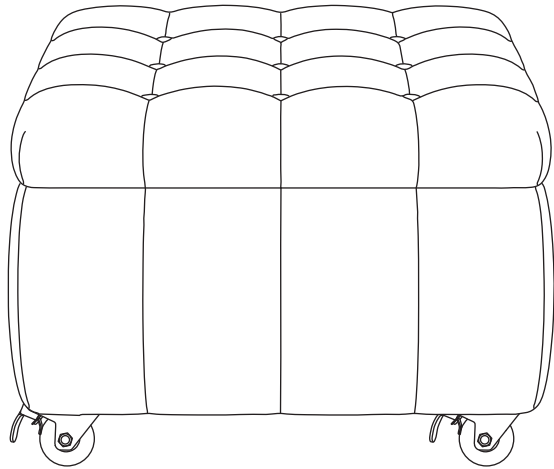


# OTTOMAN

Complete drawing display



## Safety And Care Advice

Important - Please read these instructions carefully before installing

Thank you for choosing our product.

Assemble and operate this product with care. Please read this instruction before beginning the installation, and carefully follow all instructions contained herein.

Use proper safety equipment during installation. Choose a clean, level, spacious assembly area. Avoid hard surfaces that may damage the product.

Take care when lifting. Ensure that you have all required contents for complete assembly.

Please keep the instruction manual properly. For inquiries, technical support, or warranty claims, please contact our customer services team. We hope this manual provides you with all the necessary information to use and maintain your product effectively. Happy life!

### Warnings :

Children are not allowed to assemble the product. During assembly, keep all small parts out of the reach of children as they may be fatal if swallowed or inhaled.

Do not place in front of a fire or other heat source.



After-sales service



Fast installation



Teamwork Recommended

### Maintenance and Cleaning Methods

**Regular Wiping:** Use a soft, damp cloth to wipe down the leather sofa regularly to remove dust and spills. This helps prevent dirt buildup and maintains the sofa's appearance.

**Avoid Harsh Chemicals:** Refrain from using harsh chemicals or abrasive cleaners on leather, as they can damage the material's finish. Stick to mild soap and water for cleaning, and always test any new cleaner on a small, inconspicuous area first.

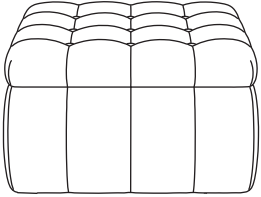
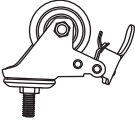


**Protect from Sunlight:** Position the leather sofa away from direct sunlight and heat sources to prevent fading and drying out of the material. Consider using curtains or blinds to shield the sofa from intense sunlight during peak hours.

**Handle with Care:** Be gentle when using the sofa, avoiding sharp objects or rough surfaces that could scratch or puncture the leather. Encourage family members and guests to be mindful of their actions to prevent accidental damage.

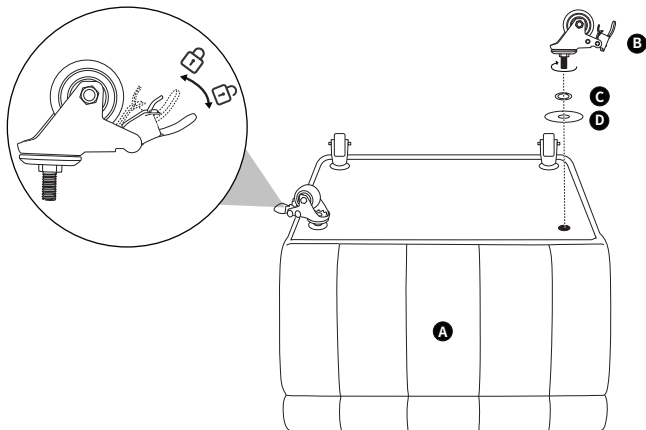
**Conditioning (Optional):** While leather doesn't require conditioning like genuine leather, you may choose to use a specialized leather conditioner occasionally to maintain its suppleness and prevent cracking. Follow the product instructions carefully and apply sparingly.

# OTTOMAN

The parts list is shown below

	<b>Storage Box</b>	<b>Ax1</b>
	<b>Roller Foot</b>	<b>Bx1</b>
	<b>Spring Washer</b>	<b>Cx1</b>
	<b>Flat Washer</b>	<b>Dx1</b>

**Step 1:** As shown in the diagram, place the spring washer and flat washer in the indicated sequence, then screw on the roller foot. (the foot should be in a locked state)



# OTTOMAN

Specific operations are shown in the following figure

Please note that the roller wheels can be locked or unlocked. Feel free to adjust them to your desired mode.

