

## ASSEMBLY INSTRUCTION



## ASSEMBLY INSTRUCTION

### ASSEMBLY INSTRUCTION

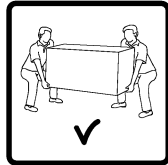
#### ASSEMBLY TIPS:

1. Remove hardware from box and sort by size.
2. Please check to see that all hardware and parts are present prior to start of assembly.
3. Please follow attached instructions in the same sequence as numbered to assure fast & easy assembly.



#### Warning!

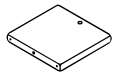
1. Don't attempt to repair or modify parts that are broken or defective. Please contact the store immediately.
2. This product is for home use only and not intended for commercial establishment.



ASSEMBLY TIME PER UNIT: 60 MINUTES

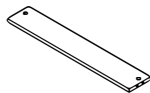
#### PARTS IDENTIFICATION:

(A) SIDE PANEL



12PCS

(B) LOWER BACK PANEL



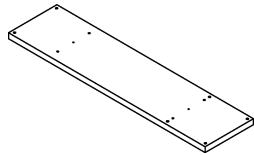
1PC

(C) LOWER DIVIDER PANEL



2PCS

(D) BOTTOM PANEL



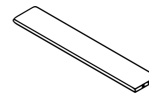
4PCS

(E) UPPER DIVIDER PANEL



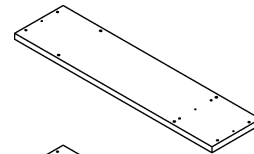
6PCS

(F) UPPER BACK PANEL



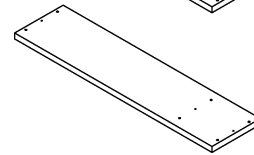
3PCS

(G) CROSS PANEL

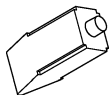

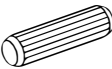

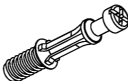
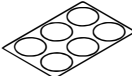


3PCS

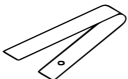



(H) TOP PANEL



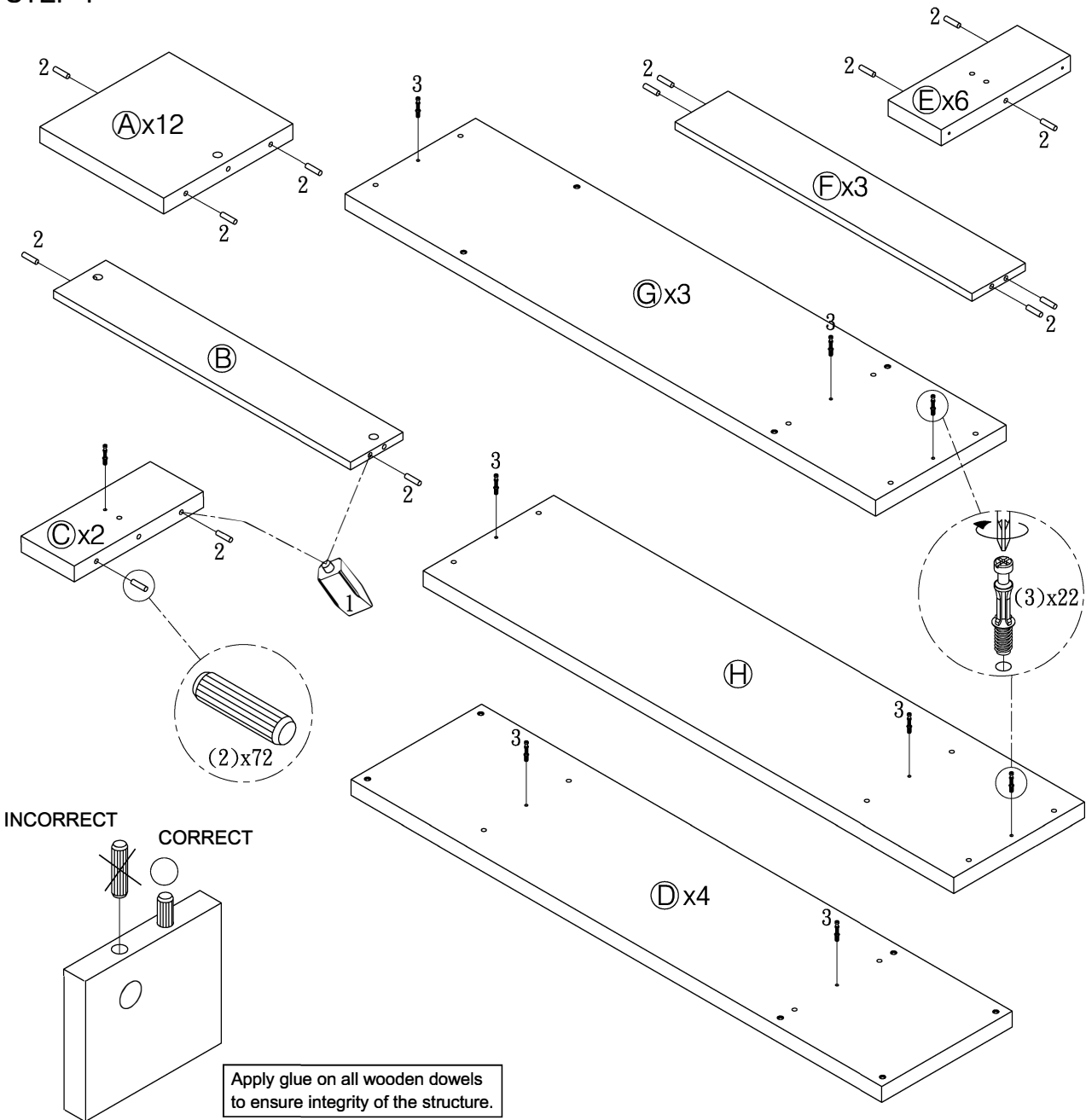
1PC

Z <b>HARDWARE PACKAGE</b>							
NO	DESCRIPTION	FIGURE	Q'TY	NO	DESCRIPTION	FIGURE	Q'TY
1	GLUE 40g		1PC	4	CAM LOCK $\phi$ 15x12mm		22PCS
2	WOODEN DOWEL $\phi$ 8x30mm		72PCS	5	BOLT $\phi$ 9.5x55mm		36PCS
3	CAM BOLT $\phi$ 7x35.5mm		22PCS	6	STICKER $\phi$ 20mm		4PCS

# ASSEMBLY INSTRUCTION

Z	HARDWARE PACKAGE						
NO	DESCRIPTION	FIGURE	Q'TY	NO	DESCRIPTION	FIGURE	Q'TY
7	ANTI-TIP STRAP 170x15mm		2PCS	9	WALL SCREW Ø4x25mm		2PCS
8	WALL PLUG 6x30mm		2PCS	10	SCREW Ø4x16mm		2PCS

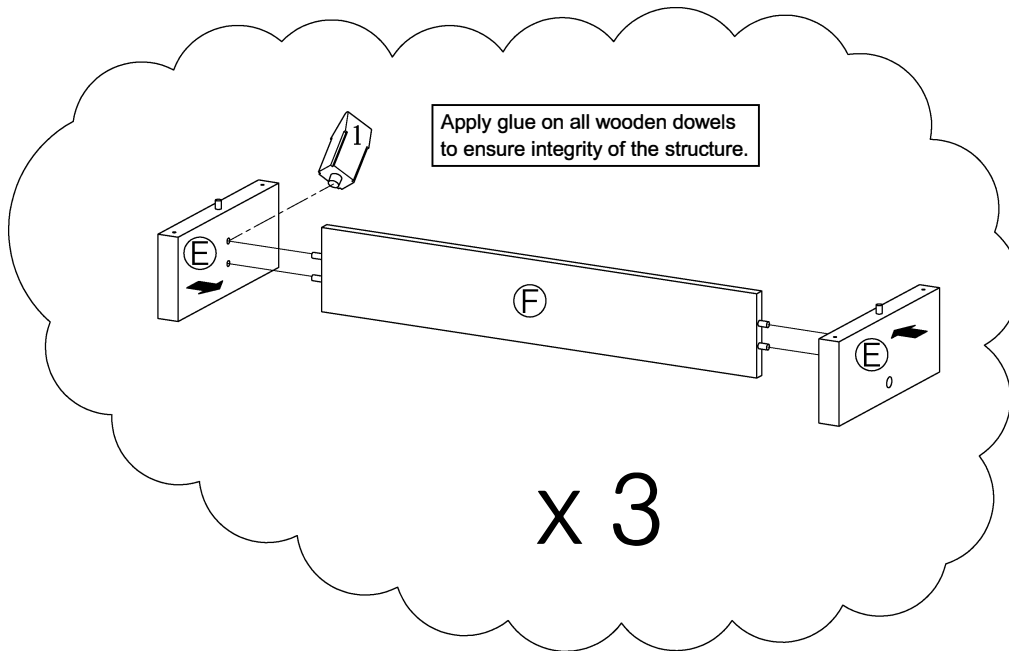
## STEP 1 :



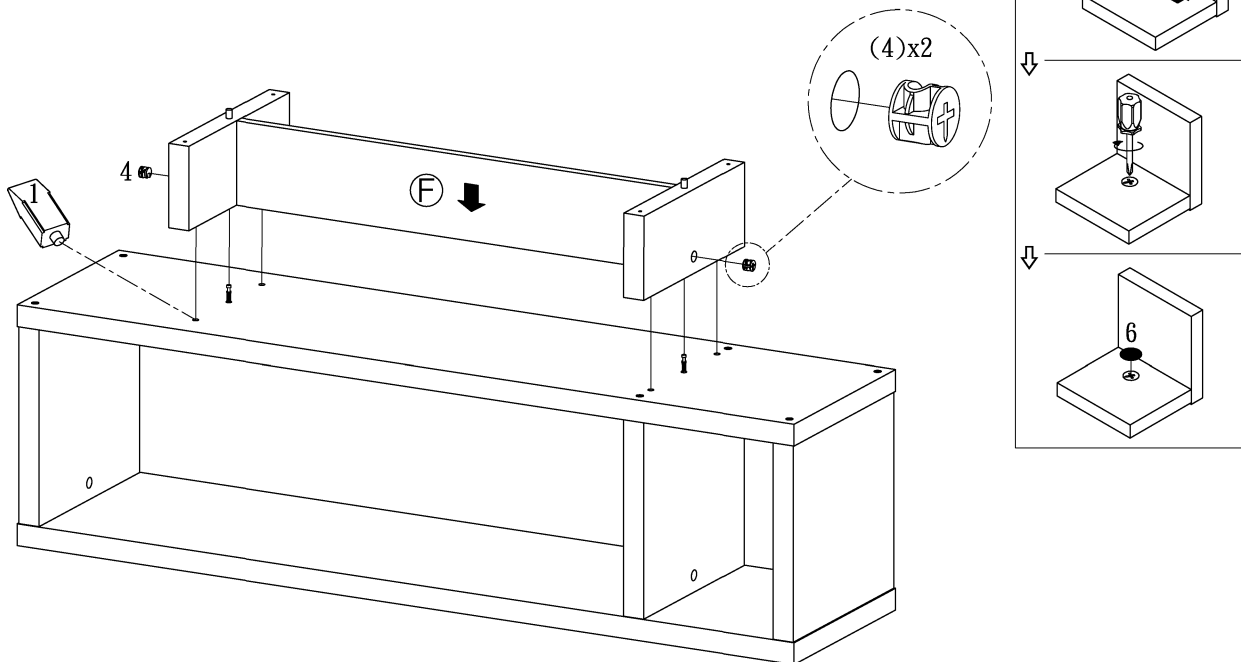


# ASSEMBLY INSTRUCTION

## STEP 4

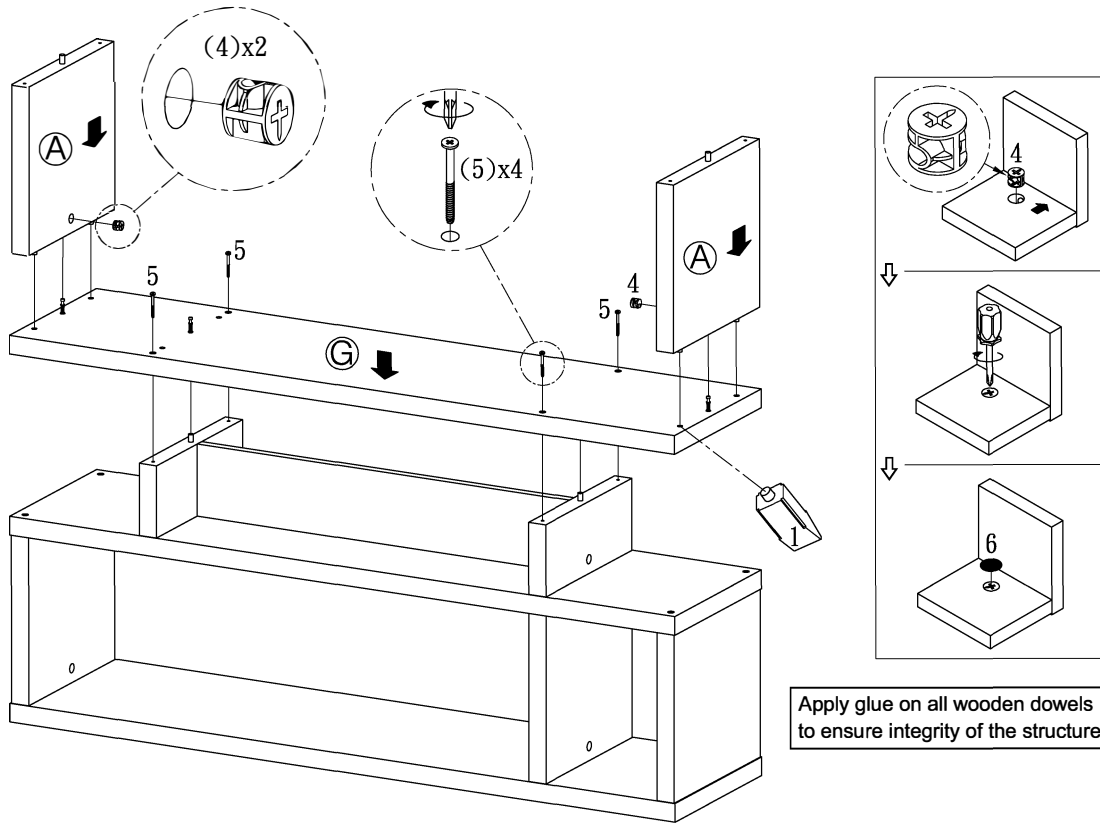


## STEP 5

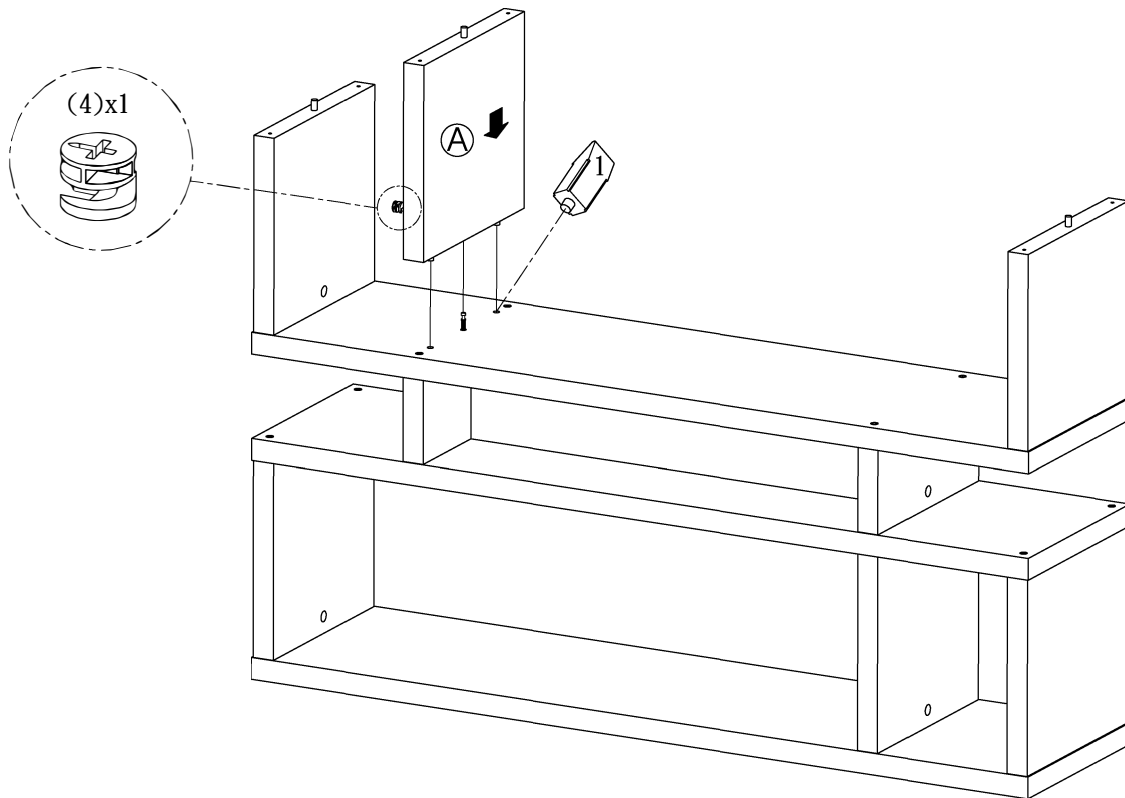


# ASSEMBLY INSTRUCTION

## STEP 6

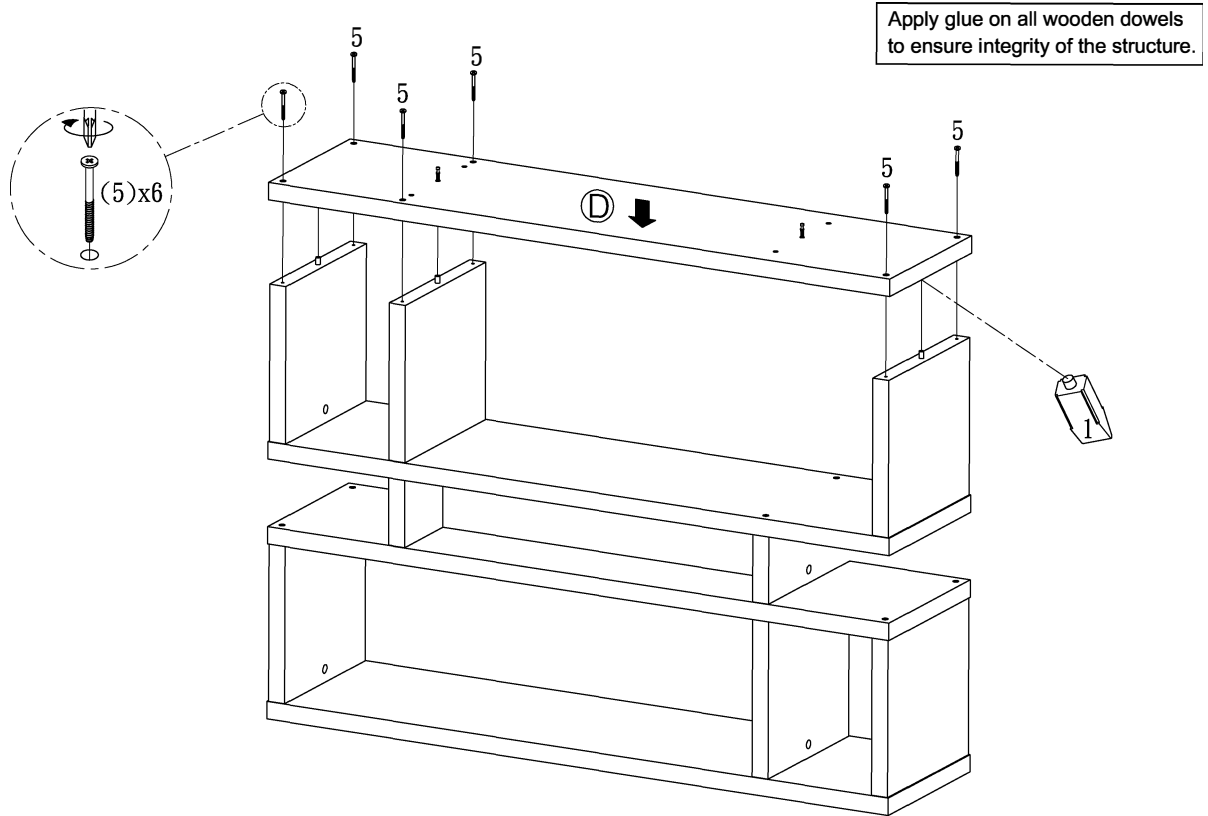


## STEP 7

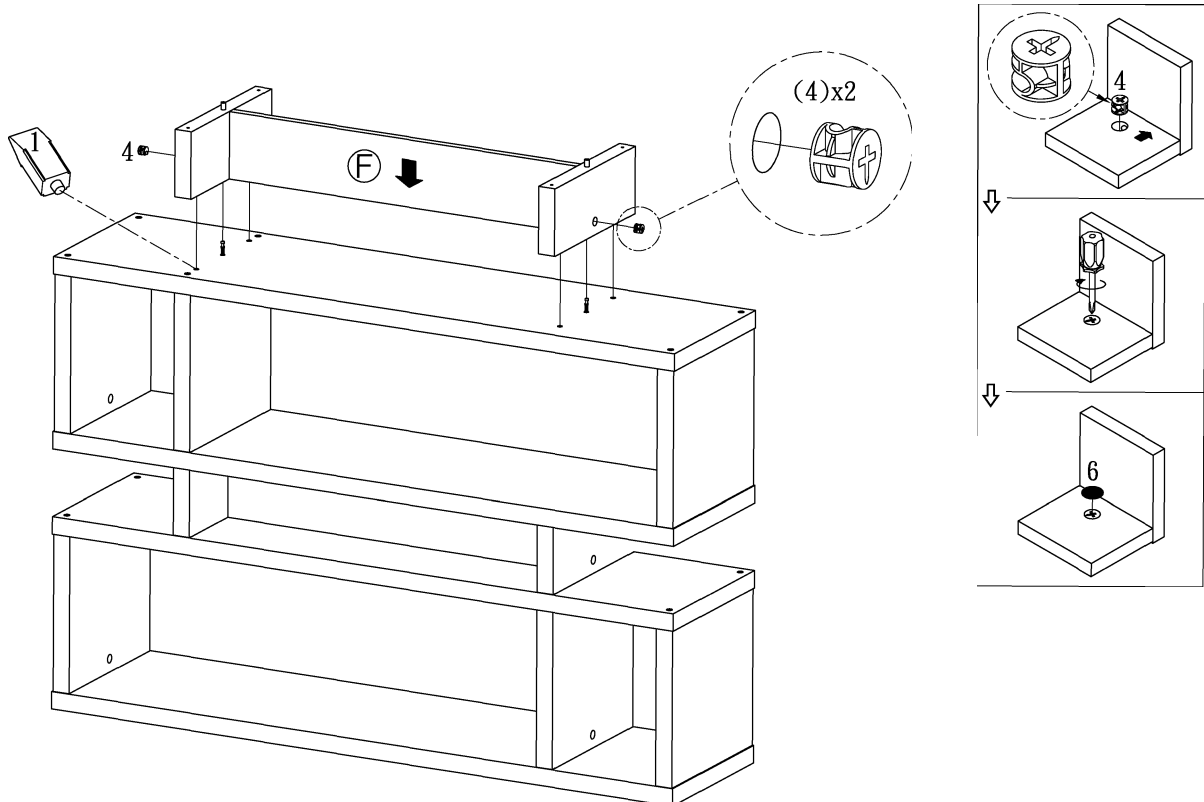


# ASSEMBLY INSTRUCTION

## STEP 8

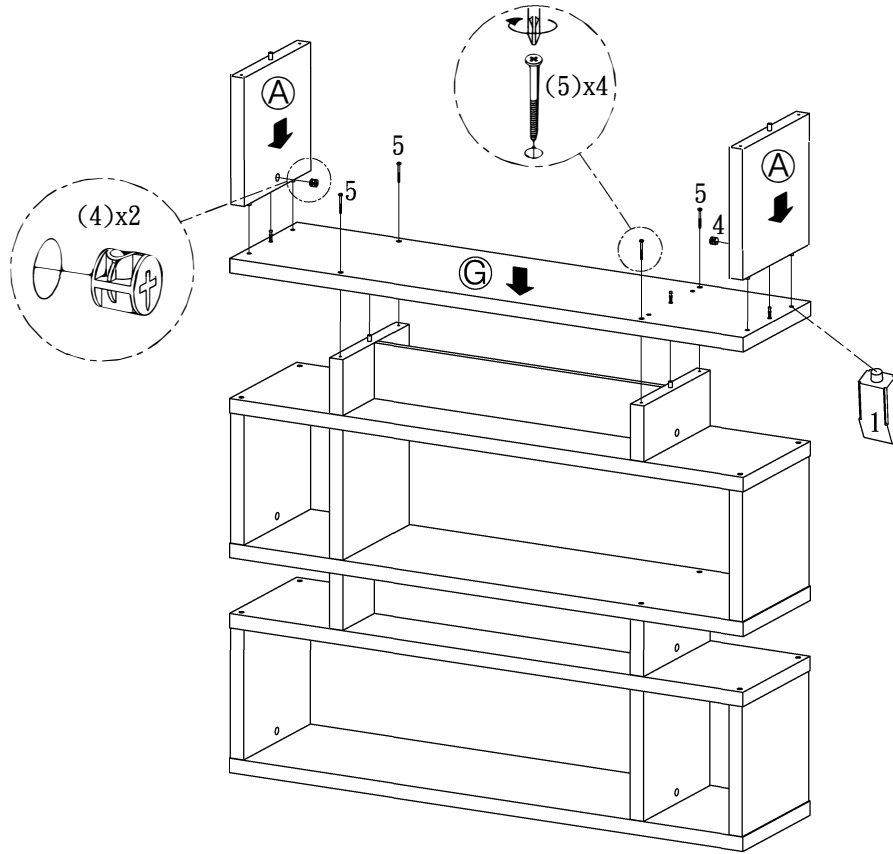


## STEP 9

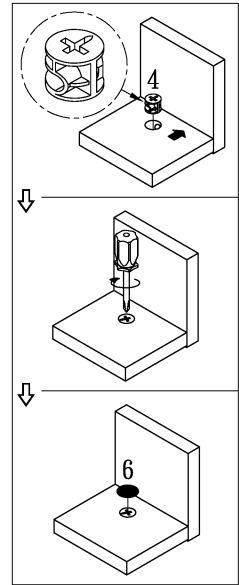


# ASSEMBLY INSTRUCTION

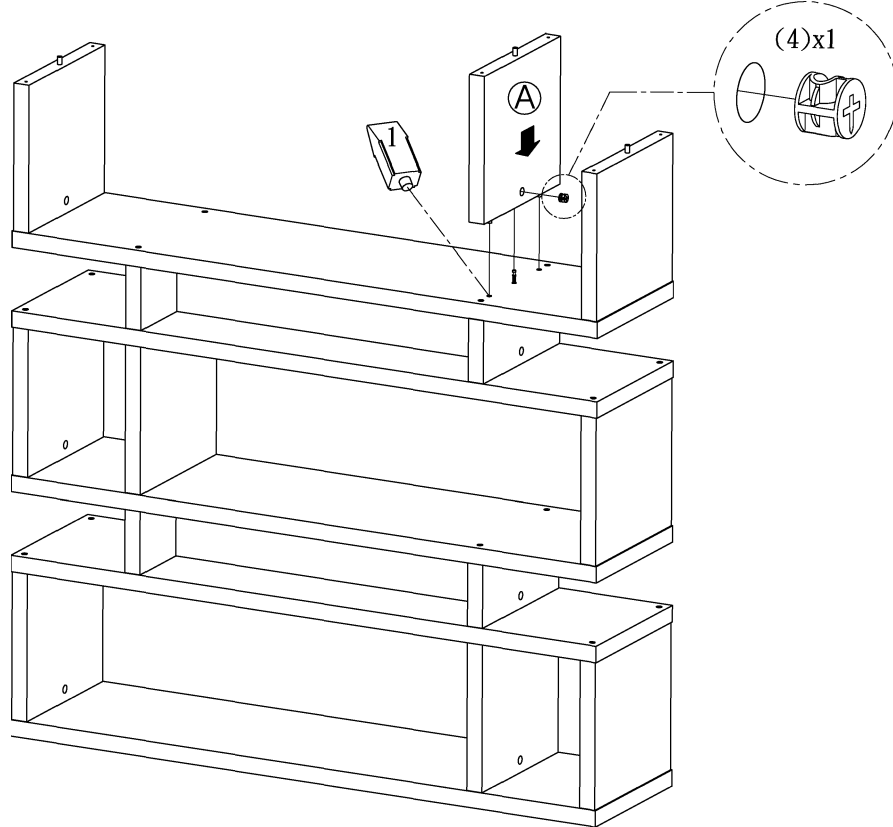
## STEP 10



Apply glue on all wooden dowels to ensure integrity of the structure.



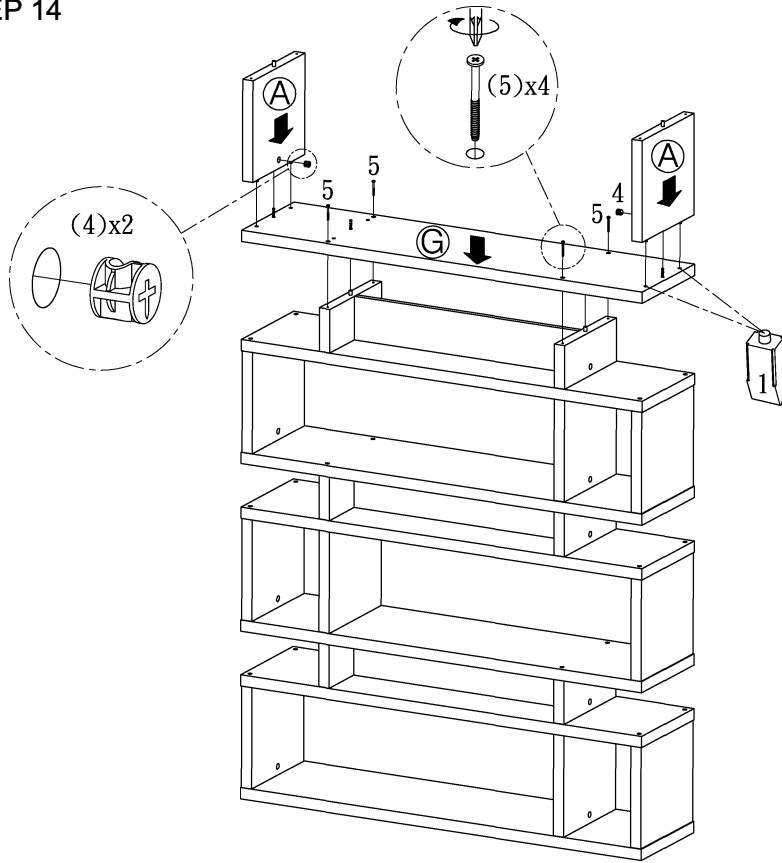
## STEP 11



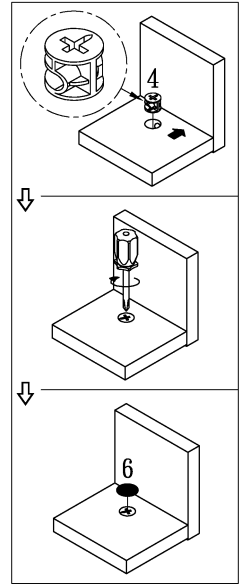


# ASSEMBLY INSTRUCTION

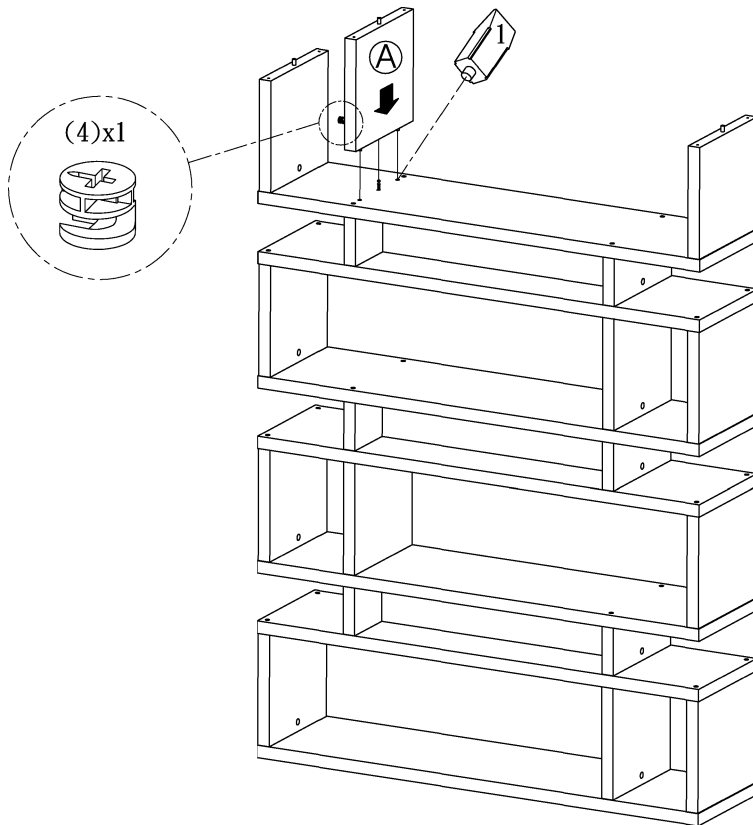
## STEP 14



Apply glue on all wooden dowels to ensure integrity of the structure.

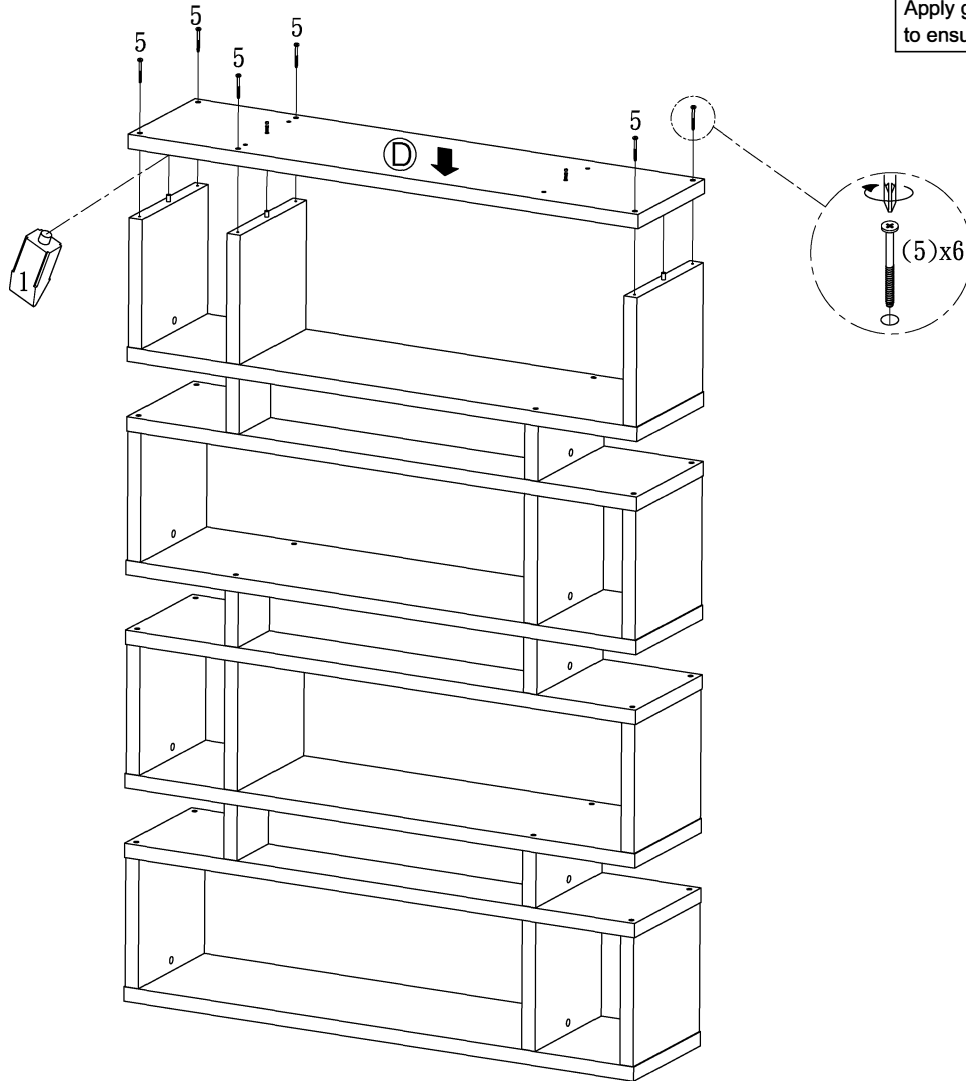


## STEP 15

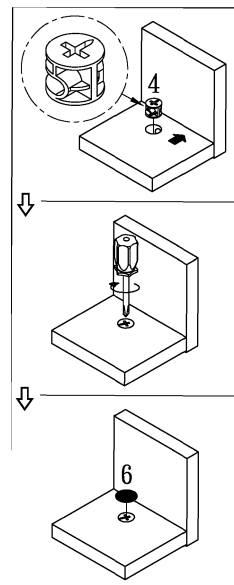
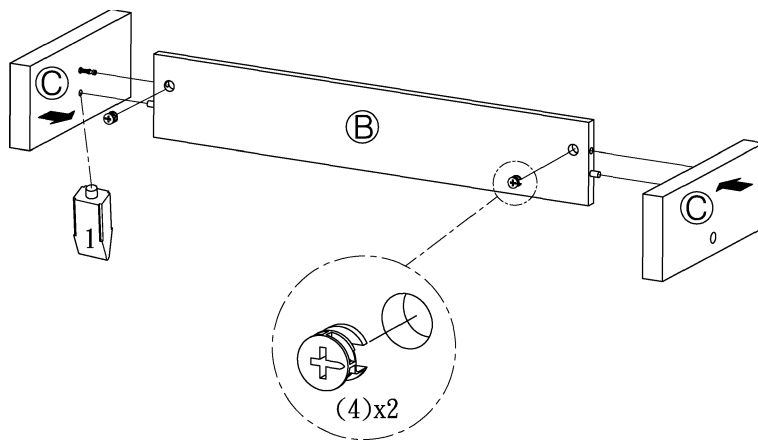


# ASSEMBLY INSTRUCTION

## STEP 16

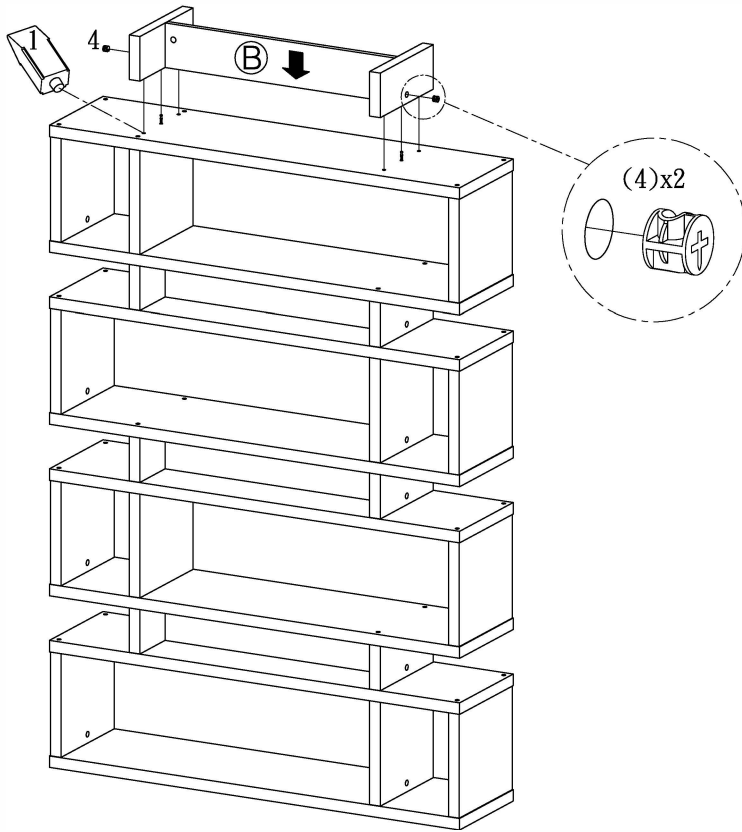


## STEP 17

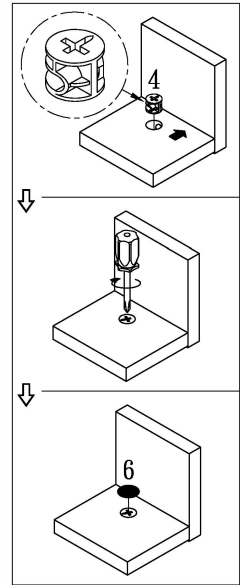


# ASSEMBLY INSTRUCTION

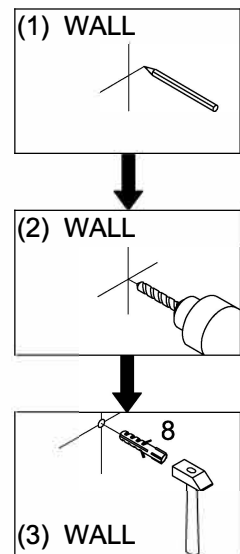
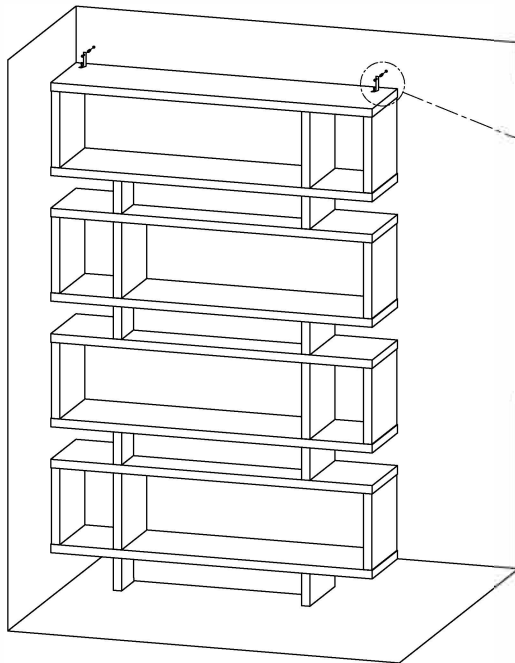
## STEP 18



Apply glue on all wooden dowels to ensure integrity of the structure.



## STEP 19



### FURNITURE TIPPING RESTRAINT

#### WARNING

**Injury may result from tipping furniture**

This restraint is not a substitute for proper adult supervision.

This restraint may provide protection against tipping furniture.

Do not allow children to climb on furniture.

Failure to detach this restraint before moving furniture may result in injury and damage

