

**INSTRUCTION MANUAL ENCLOSED**

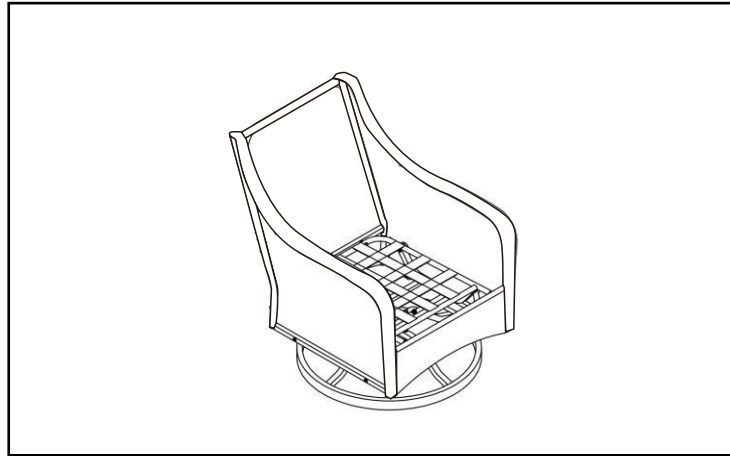
**ATTENTION**

**IF YOU HAVE ANY PROBLEMS OR QUESTIONS, EMAIL OR CALL  
CUSTOMER SERVICE BEFORE YOU RETURN THIS PRODUCT TO THE  
STORE WHERE IT WAS PURCHASED.**

**INSTRUCTION MANUAL ENCLOSED**

# SWIVEL CHAIR

## SWIVEL CHAIR ASSEMBLY INSTRUCTION



| Part              | DESCRIPTION       | Quantity |
|-------------------|-------------------|----------|
| <b>PARTS LIST</b> |                   |          |
| <b>PARTS</b>      |                   |          |
| A                 | Right Armrest     | 1        |
| B                 | Left Armrest      | 1        |
| C                 | Chair Seat        | 1        |
| D                 | Chair Back        | 1        |
| E                 | Rocking Track     | 1        |
| F                 | Swivel Chair Base | 1        |
| <b>HARDWARE</b>   |                   |          |
| H                 | Bolts M6 *40mm    | 18       |
| I                 | Washers           | 18       |
| K                 | Screw Nuts        | 8        |
| L                 | Allen Key         | 1        |
| M                 | Hex Spanner       | 1        |

|       |     |    |    |    |    |
|-------|-----|----|----|----|----|
| A     | B   | C  | D  | E  | F  |
|       |     |    |    |    |    |
| X1    | X1  | X1 | X1 | X1 | X1 |
| H     | I   | K  | L  | M  |    |
|       |     |    |    |    |    |
| M6*40 |     |    |    |    |    |
| X18   | X18 | X8 | X1 | X1 |    |

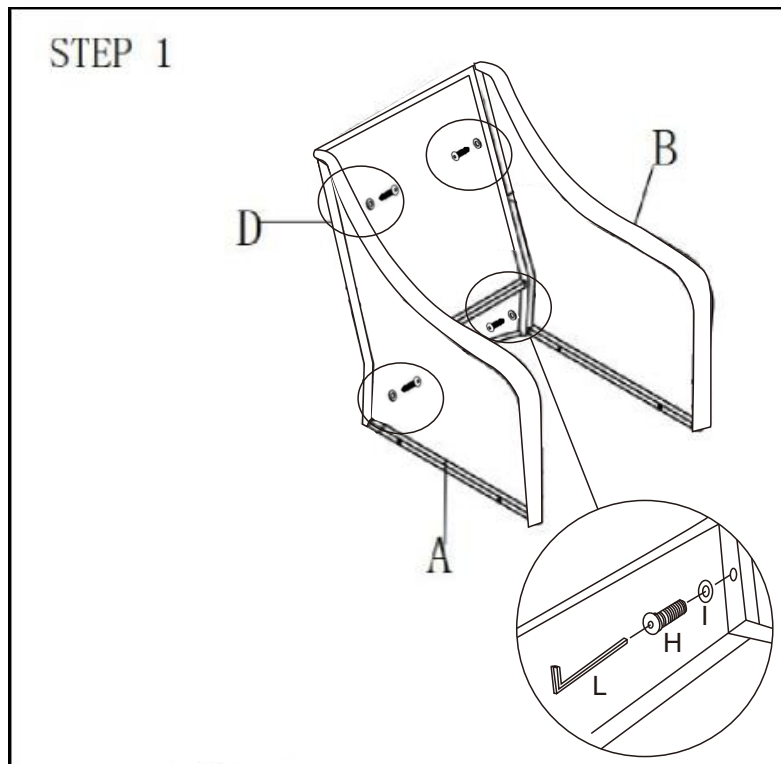
## PLEASE READ AND FOLLOW ALL SAFETY TIPS

### GETTING STARTED

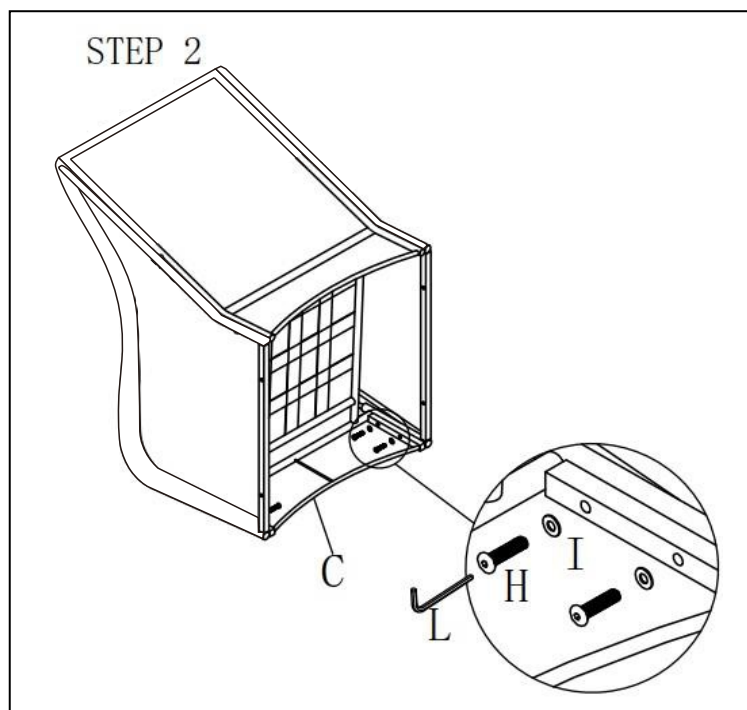
1. Before assembly, CAREFULLY use scissors or utility knife to cut and unwrap all parts. Make sure you do not discard the hardware.

\*\*\*Tips: Do not fasten all bolts completely tight until finish all steps.

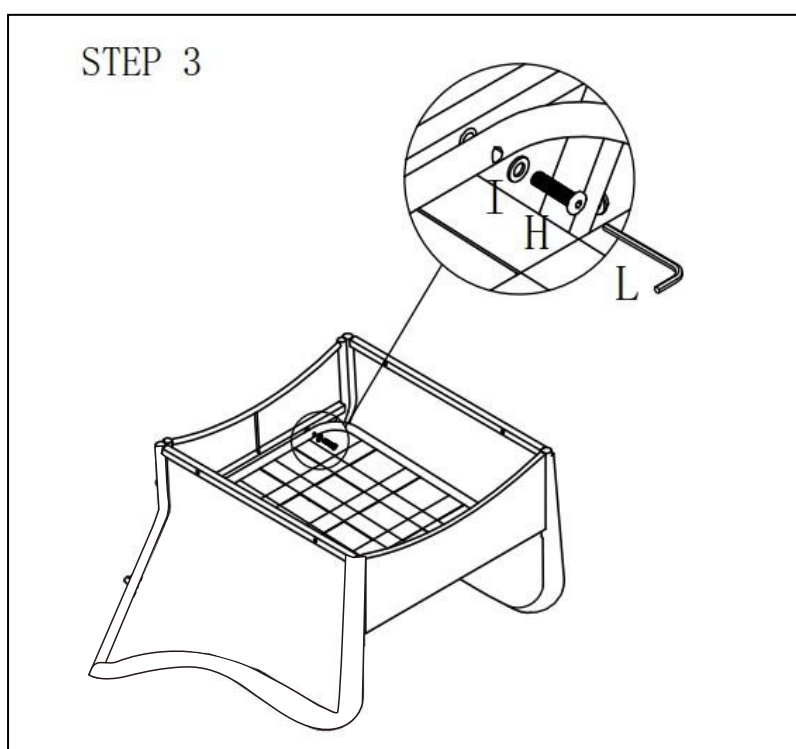
1. Locate the Armrests(A & B) to the Chair Back(D) by the pre-drilled threads. Fasten Bolts(H) with Washers (I) by using Allen Key(L) to combine armrests and chair back together. 4 bolts should be fastened totally. Do not tighten bolt.(Step 1)



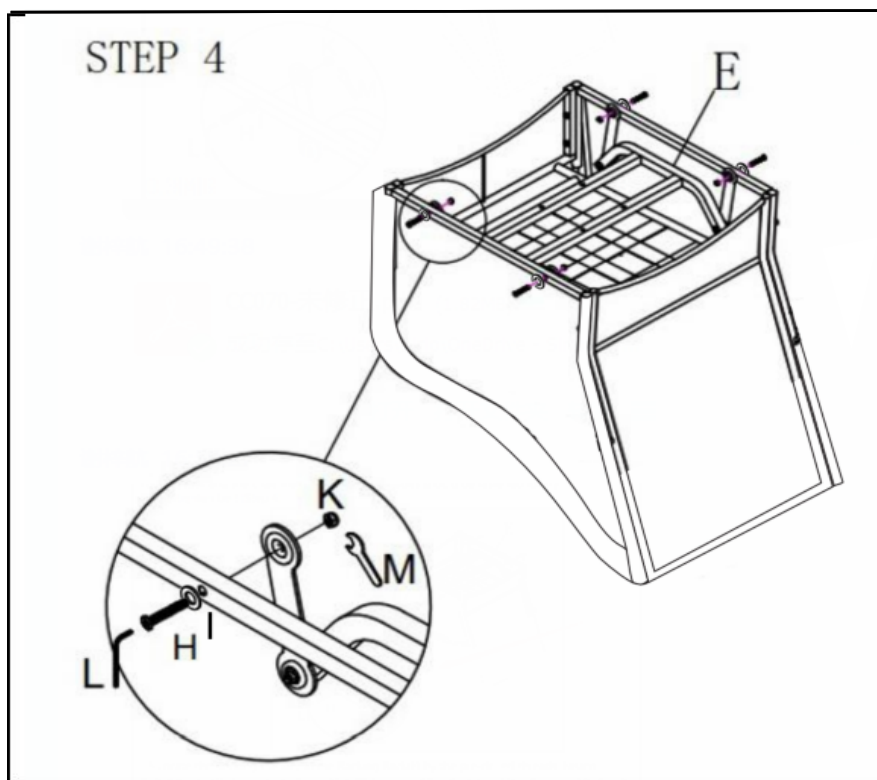
2. Locate the Chair Seat(C) to the Armrests(A & B) by the pre-drilled threads. Fasten Bolts(H) with Washers (I) by using Allen Key(L) to combine armrests and chair seat together. 4 bolts should be fastened totally. Do not tighten bolt. (Step 2)



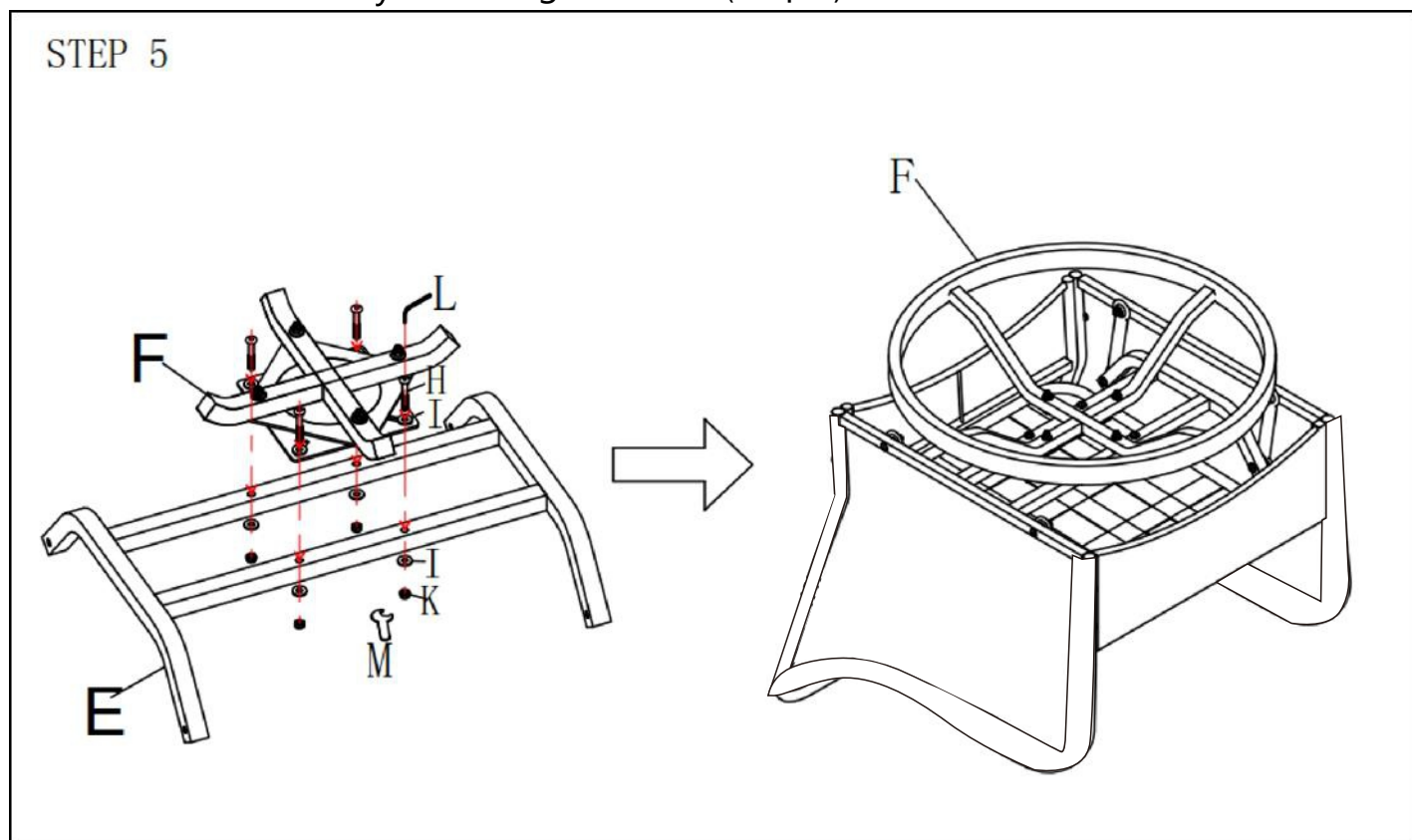
3. Locate the Chair Seat(C) to the Chair Back(D) by the pre-drilled threads. Fasten Bolts(H) with Washers (I) by using Allen Key(L) to combine chair seat and chair back together. 2 bolts should be fastened totally. Do not tighten bolt. (Step 3)



4. Locate the Rocking Track(E) to the Armrests' bottom(A & B) by the pre-drilled threads. Fasten Bolts(H) into Screw Nuts(K) by using Allen Key(L) and Hex Spanner(M) to combine rocking rack and the chair main part together. 4 bolts should be fastened totally. Do not tighten bolt.(Step 4)



5. Locate the Rocking Track(F) to the Rocking Rack(E) by the pre-drilled threads. Fasten Bolts(H) with Washers (I) into Screw Nuts(K) by using Allen Key(L) and Hex Spanner(M). 4 bolts should be fastened totally. Do not tighten bolt. (Step 5)

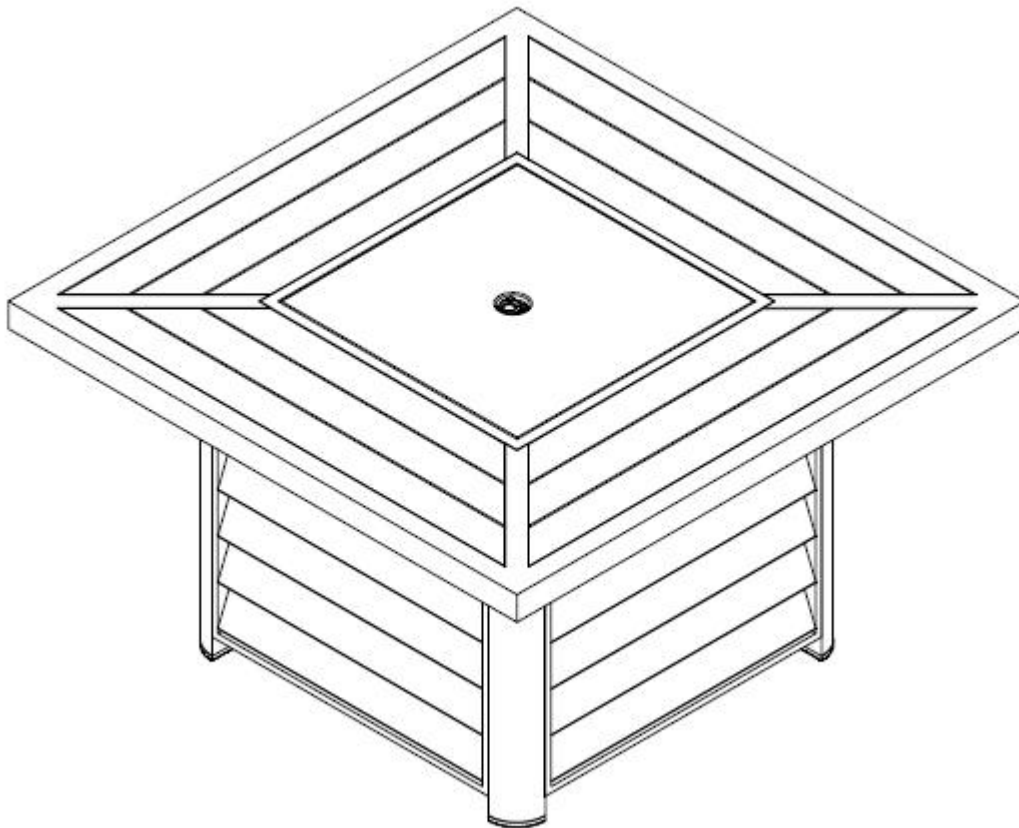


6. Fasten all bolts tight.

Till now you have finished the whole assembly and enjoy your chair!!

# OWNER'S MANUAL OUTDOOR GAS FIRE PIT (BATTERY NOT INCLUDED)

IMPORTANT, RETAIN FOR FUTURE REFERENCE:READ CAREFULLY



FOR OUTDOOR USE ONLY.NOT FOR COMMERCIAL USE



## SAFETY INFORMATION

---

Please read and understand this entire manual before attempting to assemble, operate or install the product. This appliance has been tested to and complies with the ANSI Z21.97-2017, Outdoor Decorative Gas Appliances. When connecting to a fixed piping system, The installation must conform to local codes or the absence of local codes to the National Fuel Gas Code. ANSI Z223.1.NFPA 54; National Fuel Gas Code; National Gas and Propane Installation Code, CSA B149.1; or Propane storage and Handling Code, CSA B149.2, as applicable. This manual contains important information about the assembly, operation and maintenance of this fire pit. Keep this manual for future reference and to educate new users of this product. This manual should be read in conjunction with the labeling on the product. Safety precautions are essential when any mechanical or propane fueled equipment is involved. These precautions are necessary when using, storing, and servicing. Using this equipment with the respect and caution demanded will reduce the possibilities of personal injury or property damage. The following symbols shown below are used extensively throughout this manual. Always heed these precautions, as they are essential when using any mechanical or fueled equipment.

### **DANGER**

#### **FIRE OR EXPLOSION HAZARD**

If you smell gas:


- Shut off gas to the appliance.
- Extinguish any open flame.
- If odour continues, leave the area immediately
- After leaving the area, call your gas supplier or fire department.

Failure to follow these instructions could result in fire or explosion, which could cause property damage, personal injury, or death.

### **DANGER**

Do not store or use gasoline, or other flammable vapours and liquids in the vicinity of this or any other appliance.

An LP-cylinder not connected for use shall not be stored in the vicinity of this or any other appliance.

 **WARNING: For Outdoor Use Only.** Installation and service must be performed by a qualified installer, service agency, or the gas supplier.

### **DANGER**

#### **DANGER**



#### **CARBON MONOXIDE HAZARD**

This appliance can produce carbon monoxide which has no odor. Using it in an enclosed space can kill you. Never use this appliance in an enclosed space such as a camper, tent or home.

### **WARNING**

Improper installation, adjustment, alteration, service or maintenance can cause property damage, injury or death. Read the installation, operation and maintenance instructions thoroughly before installing or servicing this equipment.

# SAFETY INFORMATION



## DANGER

**DANGER** indicates an imminently hazardous situation which, if not avoided, will result in death or serious injury.

Failure to comply with the precautions and instructions provided with this fire pit can result in death, serious bodily injury and property loss or damage from hazards of fire, explosion, burn, asphyxiation, and/or carbon monoxide poisoning. Only persons who can understand and follow the instructions should use or service this fire pit.



## DANGER

- **EXPLOSION - FIRE HAZARD**
- Keep solid combustibles, such as building materials, paper or cardboard, a safe distance away from the fire pit as recommended by the instructions.
- Provide adequate clearances around air openings into the combustion chamber.
- Never use the fire pit in spaces which do or may contain volatile or airborne combustibles, or products such as gasoline, solvents, paint thinner, dust particles or unknown chemicals
- During operation, this product can be a source of ignition. Keep fire pit area clear and free from combustible materials, gasoline, paint thinner, cleaning solvents and other flammable vapors and liquids. Do not use fire pit in areas with high dust content. Minimum fire pit clearances from combustible materials: two (2) feet from the sides & two (2) feet from the rear, six(6) feet from ceiling.



## WARNING

Certain materials or items, when stored under the fire pit, will be subjected to radiant heat and could be seriously damaged.

Alert children and adults to the hazards of high surface temperatures. Stay away from these surfaces to avoid burning skin or igniting clothing.

Carefully supervise young children when in the vicinity of the fire pit.

Do not hang clothing or any other flammable materials from the fire pit, or place on or near the fire pit.

Replace any guard or protective device removed for servicing the appliance prior to placing back in service.

Installation and repair should be done by a qualified service person. The fire pit should be inspected before use and annually by a qualified service person. More frequent cleaning may be required as necessary. It is imperative that the control compartment, burners, and circulating air passageway of the appliance be kept clean.



## WARNING

- This product is fueled by propane gas. Propane gas is invisible, odorless, and flammable. An odorant is normally added to help detect leaks and can be described as a “rotten egg” smell. The odorant can fade over time so leaking gas is not always detectable by smell alone.
- Propane gas is heavier than air and leaking propane will sink to the lowest level possible. It can ignite by ignition sources including matches, lighters, sparks or open flames of any kind many feet away from the original leak. Use only propane gas set up for vapor withdrawal.
- Store or use propane gas in compliance with local ordinances and codes or with ANSI/NFPA 58. Turn off propane when not in use.

## SAFETY INFORMATION



### WARNING

We cannot foresee every use which may be made of our fire pit.  
Check with your local fire safety authority if you have questions about fire pit use.  
Other standards govern the use of fuel gases and heat producing products for specific uses. Your local authorities can advise you about these.  
If no local codes exist, follow National Fuel Gas Code, ANSI Z223.1. In Canada, installation must conform to local codes. If no local codes exist, follow the current National standards of CANADA CAN/CGA-B 149.2.



### WARNING

We cannot foresee every use which may be made of our fire pit. Check with your local fire safety authority if you have questions about fire pit use.  
Other standards govern the use of fuel gases and heat producing products for specific uses. Your local authorities can advise you about these.  
If no local codes exist, follow National Fuel Gas Code, ANSI Z223.1. In Canada, installation must conform to local codes. If no local codes exist, follow the current National standards of CANADA CAN/CGA-B 149.2.



### DANGER

Do not store or use gasoline or other flammable vapors and liquids in the vicinity of this or any other appliance. An LP-cylinder not connected for use shall not be stored in the vicinity of this or any other appliance.  
Never leave fire pit unattended when hot or in use.  
  
Keep out of reach of children.



### WARNING

Improper installation, adjustment, alteration, service or maintenance can cause property damage, injury or death. Read the installation, operation and maintenance instructions thoroughly before installing or servicing this equipment.



### DANGER

**CARBON MONOXIDE HAZARD**  
This fire pit is a combustion appliance. All combustion appliances produce carbon monoxide (CO) during the combustion process. This product is designed to produce extremely minute, non-hazardous amounts of CO if used and maintained in accordance with all warnings and instructions. Do not block air flow into or out of the fire pit. Carbon Monoxide (CO) poisoning produces flu-like symptoms, watery eyes, headaches, dizziness, fatigue and possibly death. You can't see it and you can't smell it. It's an invisible killer. If these symptoms are present during operation of this product get fresh air immediately!  
For outdoor use only.  
Never use inside house, or other unventilated or enclosed areas.  
This fire pit consumes air (oxygen). Do not use in unventilated or enclosed areas to avoid endangering your life.



### WARNING

Don't burner solid fuels in this appliance

# OPERATION CHECKLIST

---

## Operation Checklist

For a safe and pleasurable heating experience, perform this check before each use.

### Before Operating:

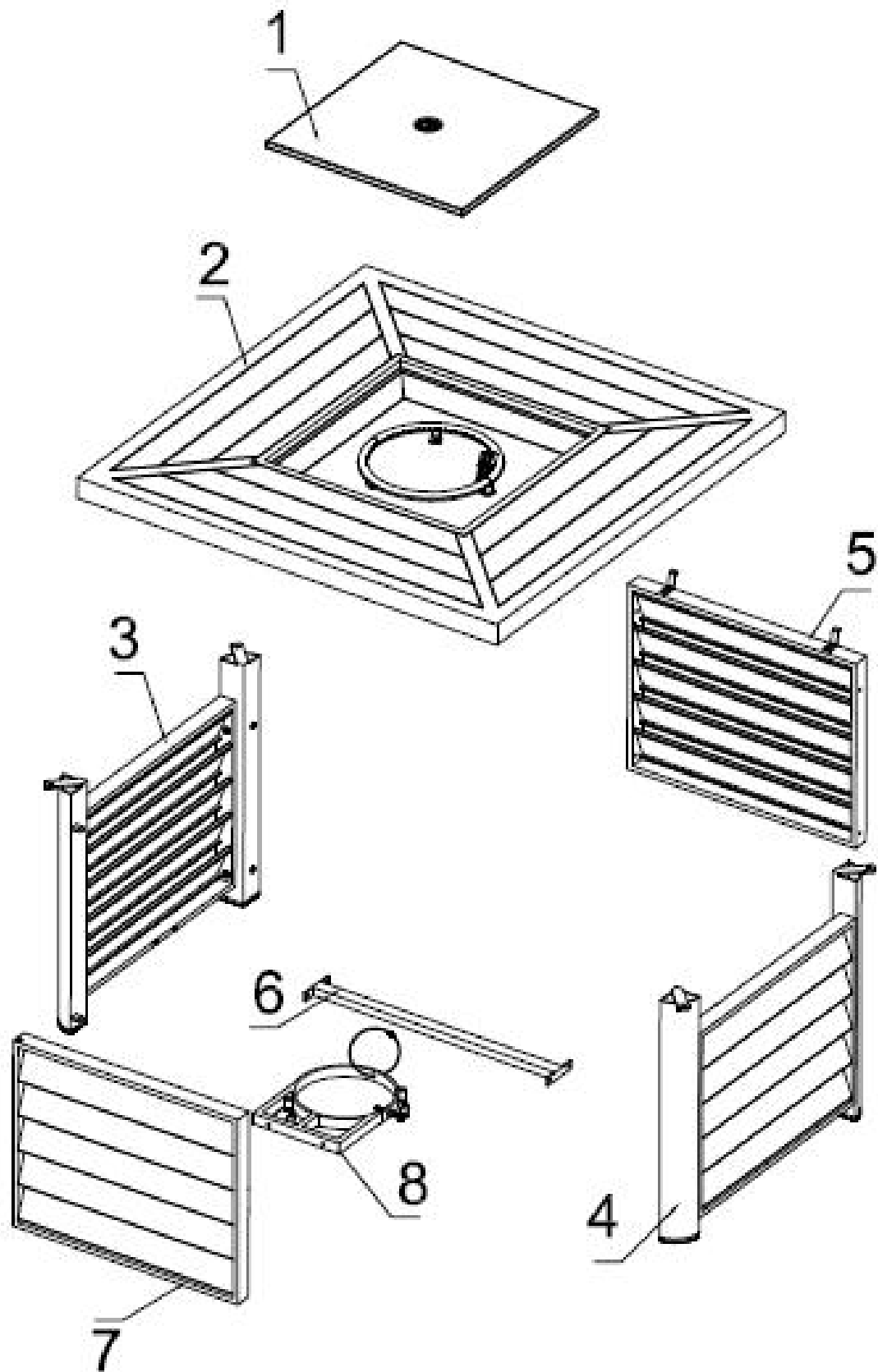
1. I am familiar with entire owner's manual and understand all precautions noted.
2. All components are properly assembled, intact and operable.
3. No alterations have been made.
4. All gas connections are secure and do not leak.
5. Wind velocity is below 10 mph.
6. Unit will operate at reduced efficiency below 40°F/4.44°C
7. Fire pit is outdoors (outside any enclosure).
8. There is adequate fresh air ventilation. Do not use this appliance if any part has been under water. Immediately call a qualified service technician to inspect the appliance and to replace any part of the control system and gas control which has been under water.
9. Fire pit is away from gasoline or other flammable liquids or vapors.
10. Fire pit is away from windows, air intake openings, sprinklers and other water sources.
11. Fire pit is at least **36** in. on rear and at least **36** in. on sides from combustible materials.
12. Fire pit is on a hard and level surface.
13. There are no signs of spider or insect nests.
14. All burner passages are clear.
15. All air circulation passages are clear.
16. Children and adults should be alerted to the hazards of high surface temperatures and should stay away to avoid burns or clothing ignition.
17. Young children should be carefully supervised when they are in the area of the fire pit.
18. Clothing or other protective material should not be hung from the fire pit, or placed on or near the fire pit.
19. Any guard or other protective device removed for servicing the fire pit must be replaced prior to operating the fire pit.
20. Installation and repair should be done by a qualified service person. The fire pit should be inspected before use and at least annually by a qualified service person.
21. More frequent cleaning may be required as necessary. It is imperative that control compartment, burner and circulating air passageways of the fire pit be kept clean.
22. Do not use this appliance if any part has been under water. Immediately call a qualified service technician to inspect the appliance and to replace any part of the control system and any gas control that has been under water.

### After Operation

1. Gas control is in OFF position.
2. Gas Tank valve is OFF.
3. Disconnect LP/NG Gas.
4. After each use, replace cap on tank.

# EXPLODED VIEW

---









## PART LIST

---

| PART NO. | DESCRIPTION                 | QTY |
|----------|-----------------------------|-----|
| #1       | Lid                         | 1   |
| #2       | Table top                   | 1   |
| #3       | Table base left side panel  | 1   |
| #4       | Table base right side panel | 1   |
| #5       | Table base back panel       | 1   |
| #6       | Beam                        | 1   |
| #7       | Door                        | 1   |
| #8       | Tank shelf                  | 1   |

## SCREW PACKAGE

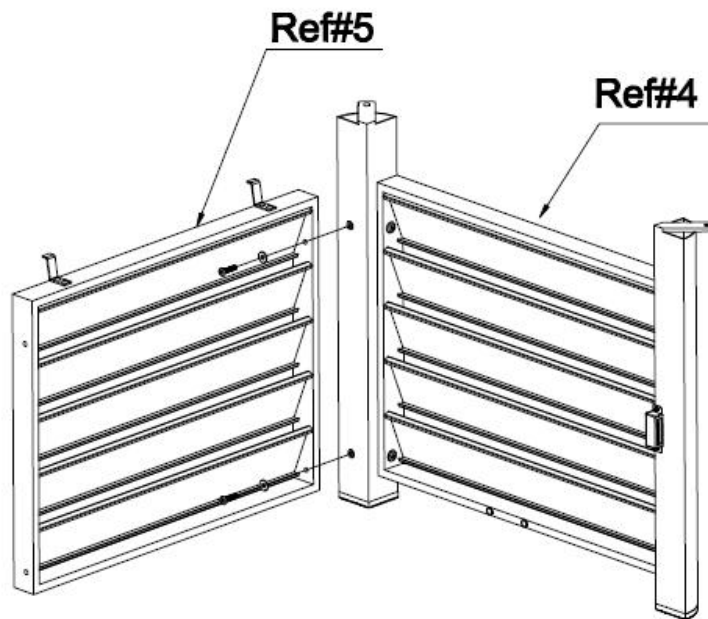
---



| PART NO. | Description    | Picture  | QTY |
|----------|----------------|--|-----|
| A        | Washer         |  | 16  |
| B        | Plastic washer |  | 1   |
| C        | Screw M6*30mm  |  | 4   |
| D        | Screw M6*20mm  |  | 8   |
| E        | Screw M6*25mm  |  | 4   |
| F        | Allen Key      |  | 1   |

# ASSEMBLY INSTRUCTIONS

## Step 1

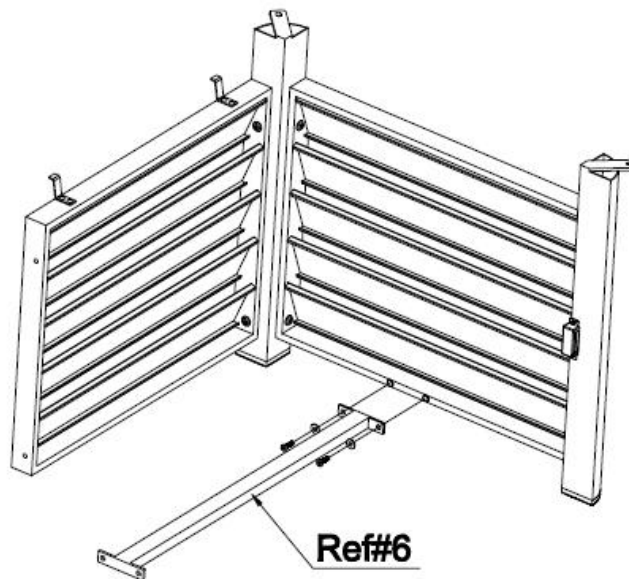
Install Table base back panel (part #5) to Table base right side panel (part #4) by using 2 screws #C with washers





- A  Washer 2PCS
- C  M6\*30 2PCS

## Step 2

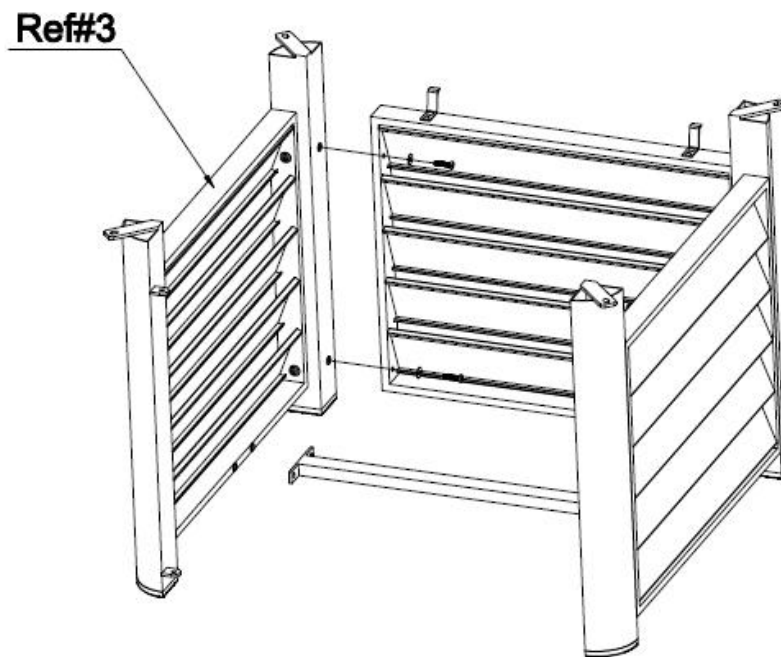
Install the Beam (part #6) to Table base right side panel (part #4) by using 2 screws #D with washers. Don't fasten bolts.





- A  Washer 2PCS
- D  M6\*20 2PCS

### Step 3

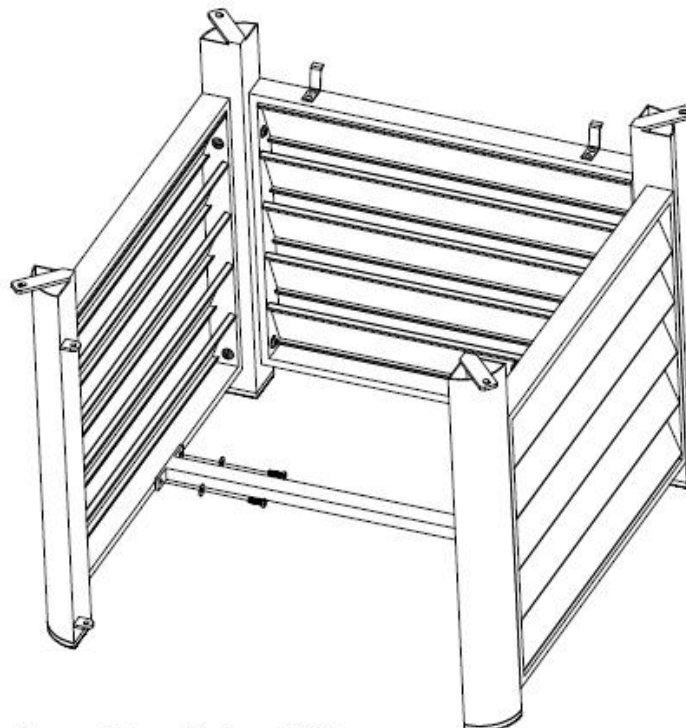
Install Table base left side panel (part #3) to Table base back panel (part #5) by using 2 screws #C with washers.





- A  Washer 2PCS
- C  M6\*30 2PCS

### Step 4

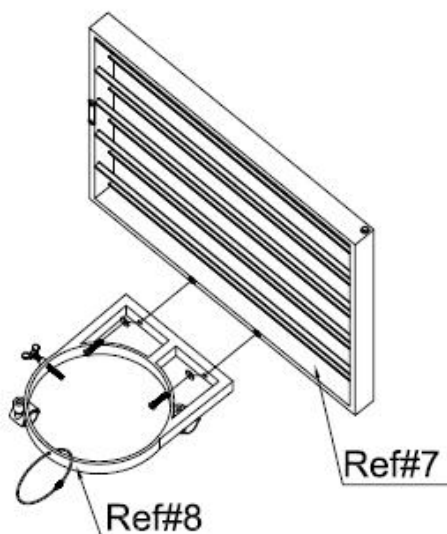
Install left side panel (part #3) to the Beam (part #6) by using 2 screws #D with washers. Don't fasten bolts.



- A  Washer 2PCS
- D  M6\*20 2PCS

## Step 5

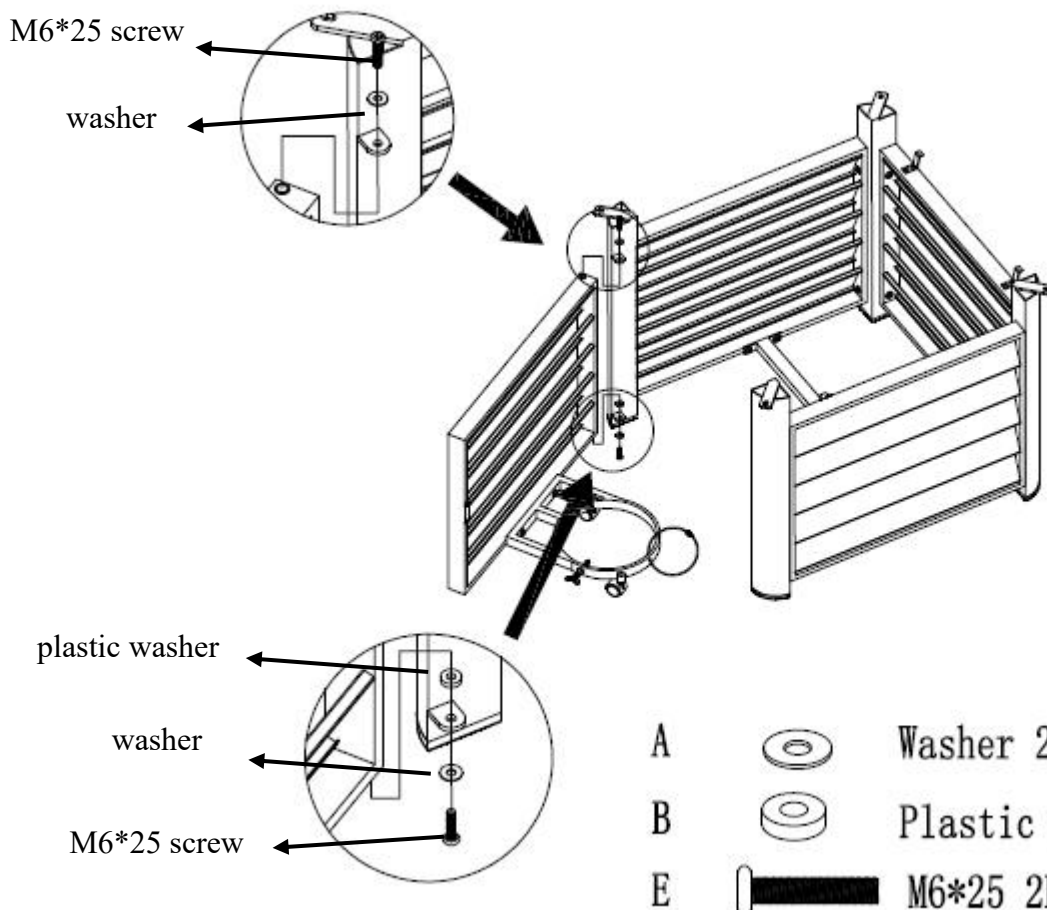
Install Tank shelf (part#8) to the Door (part #7) by using 2 screws #E and also fasten the bolts






- A  Washer 2PCS
- E  M6\*25 2PCS

## Step 6

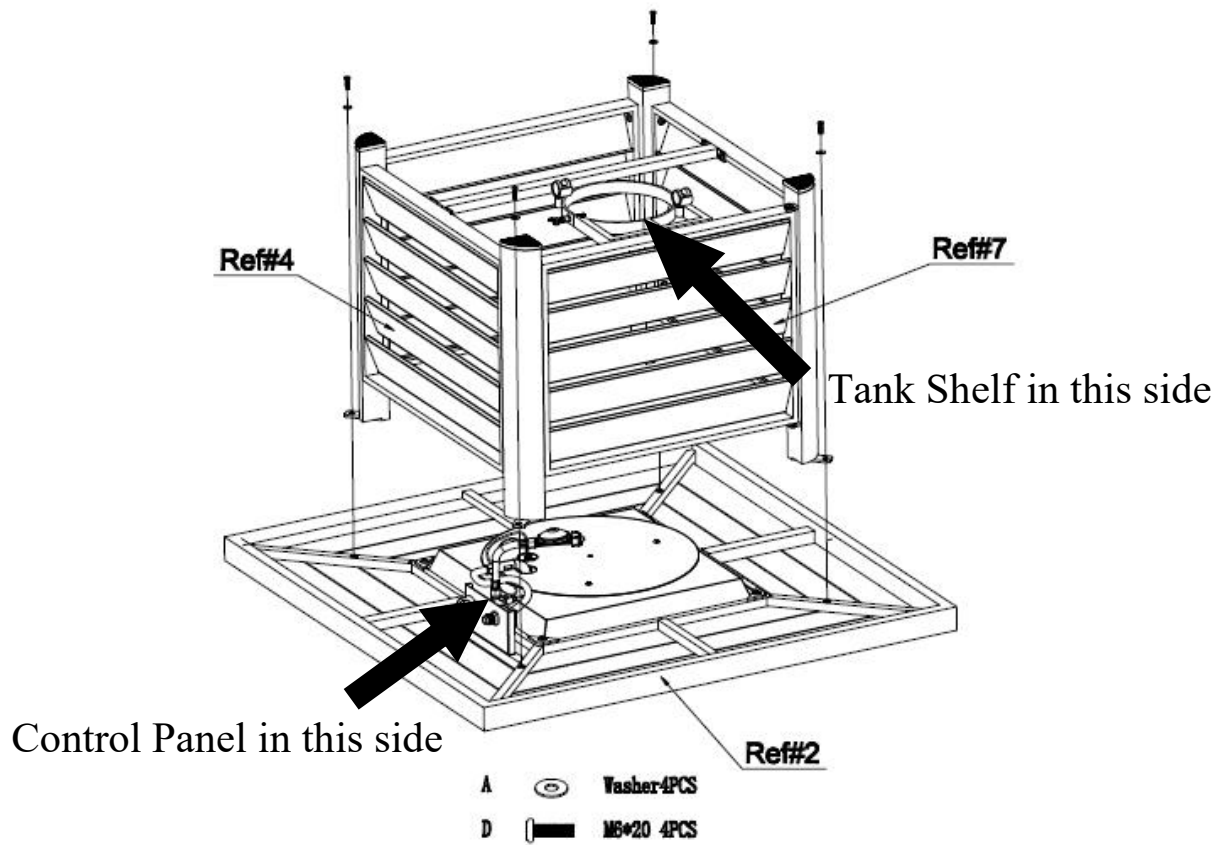
Locate the whole door (part #7 & part #8) to Table base left side panel (part #3) assembled with 2 screws #E ,1 Plastic washer #B and washers by using Allen Key. Don't fasten bolts.



- A  Washer 2PCS
- B  Plastic washer 1PC
- E  M6\*25 2PCS

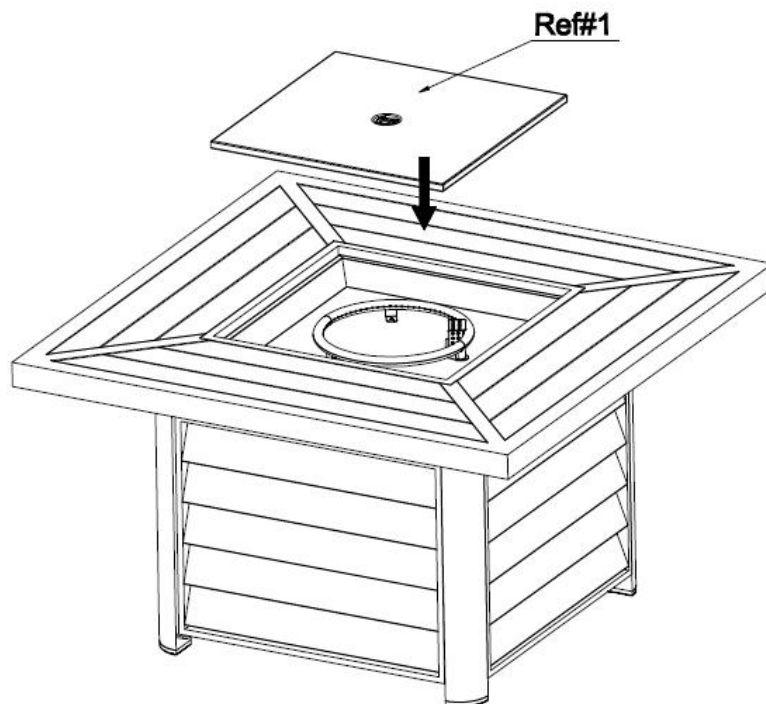
## Step 7

Place Table top on a soft clean surface with Table bottom facing up. Install whole Table base onto bottom of Table top with 4 screws #D and washers by using Allen Key. Fasten all the bolts. Turn over the whole fire table.

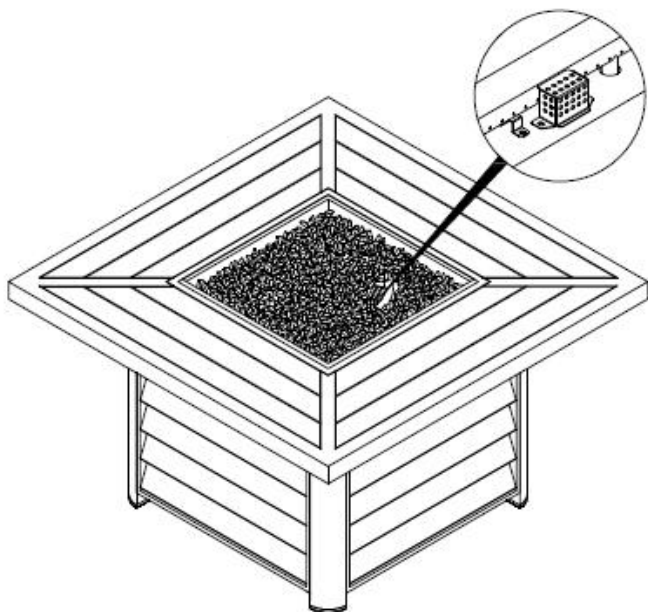


## Step 8

Put Lid (part#1) on the table top.

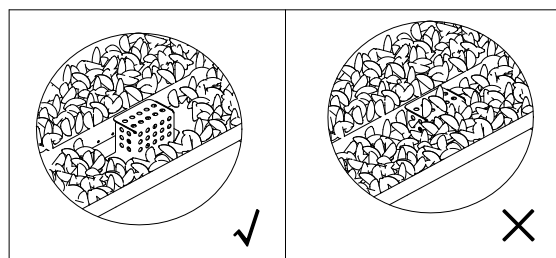


## Step 9



Put the glass beads onto the burner.

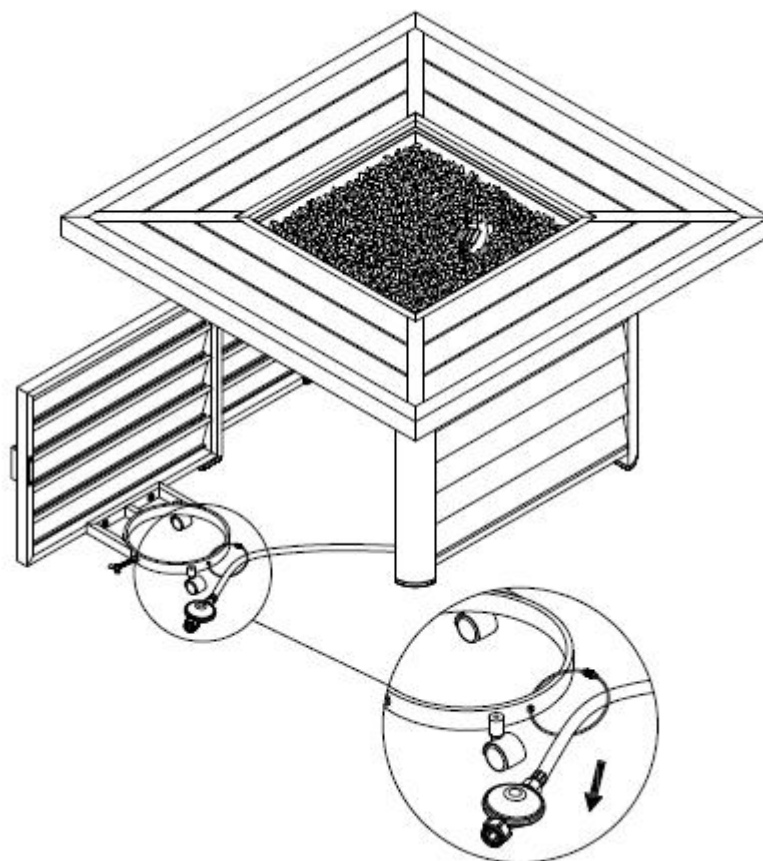
Do not cover the windguard with the beads.



## Step 10

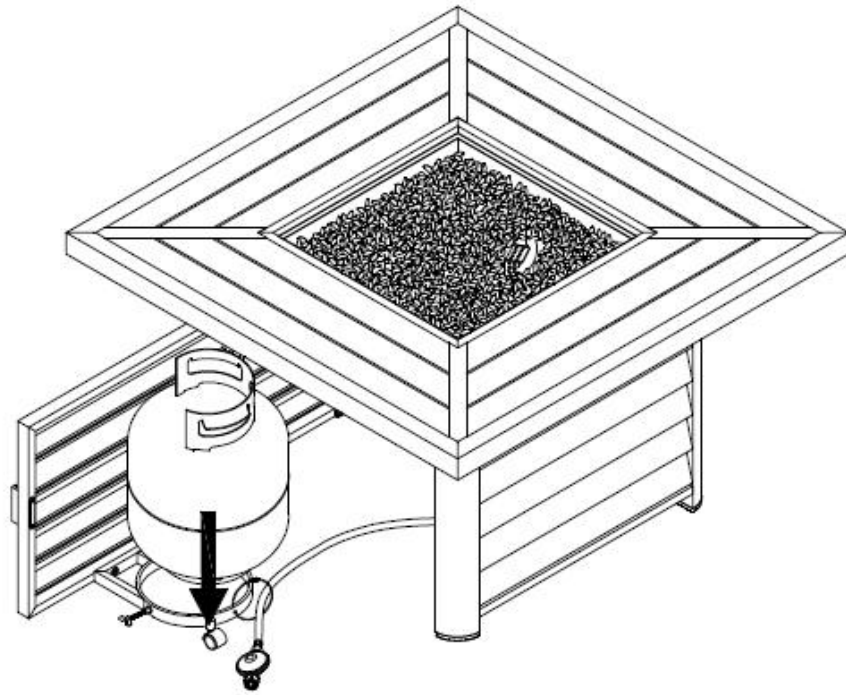
### **WARNING!**

The regulator and hose must go through the safety ring when install the gas tank



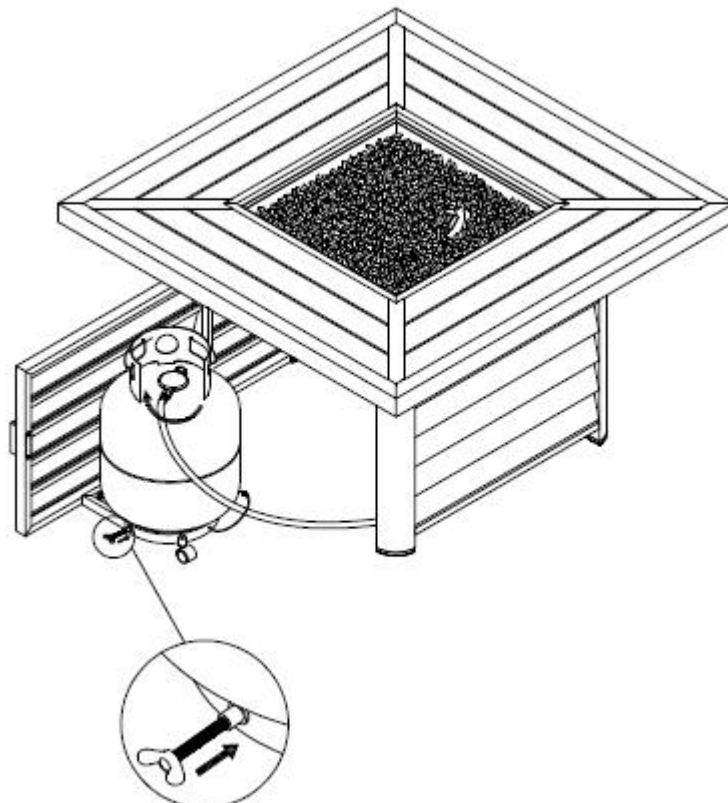
## Step 11

Open the fire table and install the gas tank (20LBS) into the fire table.



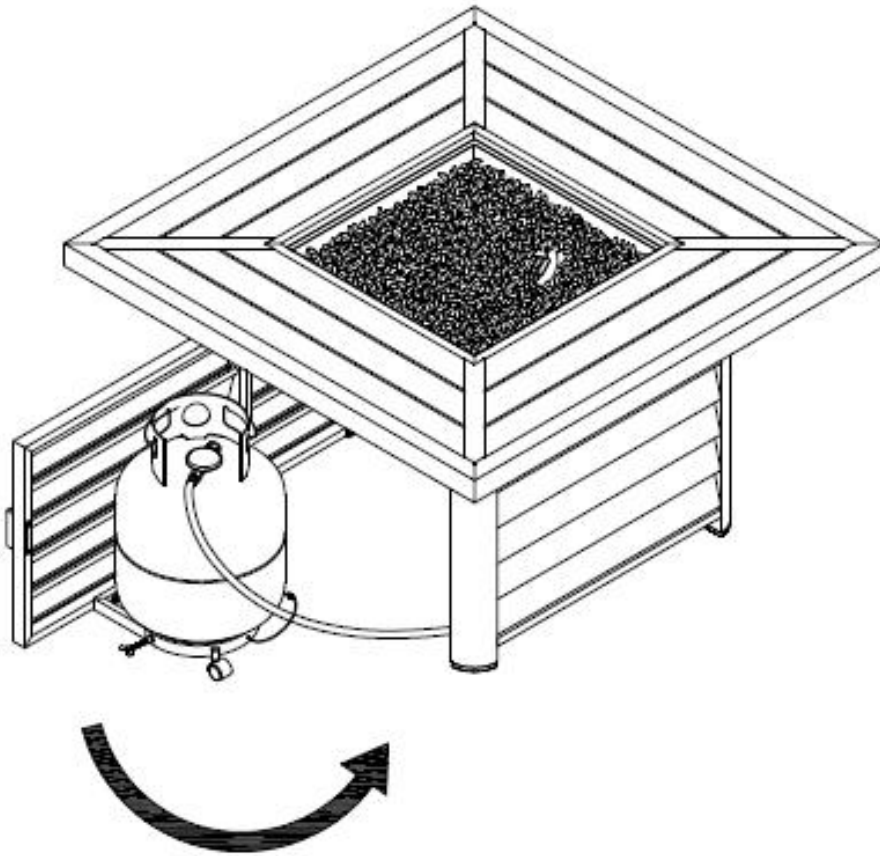
## Step 12

Secure the gas tank to the fire table at the bottom using the bolts.  
Connect the gas to the fire table using LPG regulator.



## Step 13

Close the fire table door.



# INSTALLING LP GAS TANK

## Connect LP Gas Tank

Before connecting, be sure that there is no debris caught in the head of the LP gas tank, head of the regulator valve or in the head of the burner and burner ports.

Connect regulator/hose assembly to tank by turning knob clockwise stops.

## Disconnect LP Gas Tank

Before disconnecting make sure the LP gas tank valve is "CLOSED".

Disconnect regulator/hose assembly from LP gas tank by turning knob counterclockwise until it is loose.

Caution: LP gas tank must be properly disconnected and removed prior to moving this pit.

## Connect NG

1. A professionally-installed shut-off valve between the supply piping and the socket is recommended, but not required, by the National Fuel Gas Code. Socket connection must be made outdoors.

2. Coat the gas supply pipe nipple with gas resistant pipe dope or approved teflon tape. Screw socket onto gas supply pipe (house gas source), and wrench-tighten.

3. Pull back the sleeve on the quick disconnect socket and insert the unattached end of the gas hose into the socket. Release the sleeve and continue pushing the hose into the socket until the sleeve snaps into the locked position.

4. When the quick disconnect socket and the gas hose are connected, a valve in the socket opens automatically to permit full gas flow. When the gas hose is disconnected, the valve in the socket instantly and positively shuts off the flow of gas, the grill can be disconnected from the gas source by disconnecting the gas hose from the quick disconnect socket. The socket should be left attached to the gas source (hose piping).

## Disconnect NG

With proper assembly, the gas hose cannot be removed without pushing the quick disconnect sleeve back. To disconnect, push sleeve back and pull plug out of sleeve (this automatically shuts off gas).

The appliance and its individual shut off valve must be disconnected from the gas supply piping system during any pressure testing on that system at test pressures in excess of 1/2 psi(3.5kPa).

The appliance must be isolated from the gas supply piping system by closing its individual manual shutoff valve during any pressure testing of the gas supply piping system at test pressures equal to or less than 1/2psi(3.5kPa).

**This appliance can use two fuel gas: LPG-Propane OR Natural Gas**

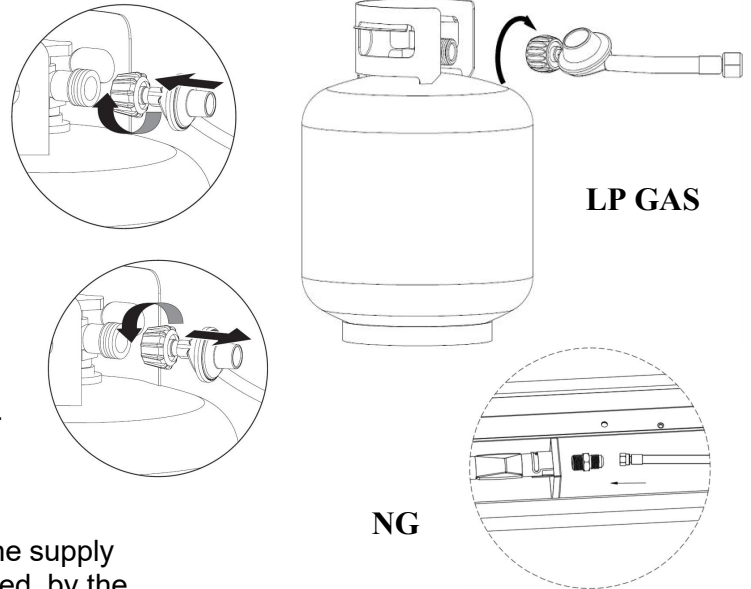
**Suitable LP gas tank size for this appliance is 20IB(9.1KG)**

**Do not fill the LP gas tank with more than 80% liquid gas**

**The inlet gas supply pressure for the purpose of input adjustment pressure:**

**LPG-Propane 11" in w.c.(2.74kPa)**

**Natural Gas 7" in w.c.(1.74kPa)**



**The appliance must be isolated from the gas supply piping system by closing its individual manual shutoff valve during any pressure testing of the gas supply piping system at test pressures equal to or less than 1/2psi (3.5kPa)**

**The LP-gas supply cylinder to be used must be: constructed and marked in accordance with the U.S. Department of Transportation (D.O.T.) Specifications for LP-Gas Cylinders. Provided with a listed overfilling prevention device, and provided with a cylinder connection device compatible with the connection for the appliance.**

**WARNING: Make sure LP gas tank valve is closed.**

**Close by turning valve clockwise.**

Place the LP gas tank upright into the tank tray and secure the tank by screw.

## LEAK TESTING

---

**WARNING:** Before using this outdoor fire pit, make sure you have read, understand and are following all information provided in the Dangers and Warnings. Failure to follow those instructions can cause death, serious injury or property damage.

**⚠ WARNING** Never use your fire pit without leak testing all gas connections, hoses and propane tank.

**⚠ DANGER** To prevent fire or explosion hazard:

- ◆ DO NOT smoke or permit ignition sources in the area while conducting a leak test.
- ◆ Perform test OUTDOORS in a well-ventilated area that is protected from the wind.
- ◆ Never perform a leak test with a match or open flame.
- ◆ Never perform a leak test while the fire pit is in use or while the fire pit is still hot.

### WHEN TO PERFORM A LEAK TEST:

- After assembling your fire pit and before lighting for the first time, even if purchased fully-assembled.
- Every time the LP gas cylinder is refilled, exchanged or if any of the gas components are disconnected or replaced.
- Any time your fire pit has been moved.
- At least once per year or if your fire pit has not been used for more than 60 days.

**⚠ CAUTION** Strong odors, colds, sinus congestion, etc. May prevent the detection of propane by smell. Use caution and common sense when testing for leaks.

Note: The leak test must be performed in an area that has adequate lighting in order to see if bubbles are developing and not in a windy or noisy area so larger leaks can be detected by smell or sound.

1. Create a mixture of 50% water and 50% liquid dishwashing soap.
2. Ensure all control knobs are set to the 'OFF' position.
3. Turn on the gas at the cylinder valve. Turn the cylinder valve knob counter-clockwise until fully opened. If you hear a rushing sound or smell gas, turn the gas off. Tighten any leaking connections. If leak is detected at connection nut and tightening does not stop leak, re-inspect propane tank rubber seal.
4. Apply the soapy water mixture to the following:

|  |   |
|--|---|
| A Supply tank(cylinder) welds.                 | B Connection nut to tank valve.           |
| C Back side of connection nut to brass nipple. | D Brass nipple connection into regulator. |
| E Regulator connections to gas supply hoses.   | F Hose connection to gas manifold.        |
| G The full length of gas supply hose.          | H Tank valve to cylinder.                 |
5. Check each place listed(A-H) for growing bubbles, which indicates a leak. Large leaks may not be detected by bubbles but should produce a rushing sound or gas smell.
6. Turn off gas supply at cylinder valve.
7. Turn on control knobs to release gas pressure in hose.
8. Turn control knobs to 'OFF' position.
9. Tighten any leaking connections. If leak is detected at connection nut and tightening does not stop leak, re-inspect propane tank rubber seal.
10. Repeat soapy water test until no leaks are detected.
11. Turn off gas supply at cylinder valve until you are ready to use your fire pit.
12. Wash off soapy residue with cold water and towel dry.

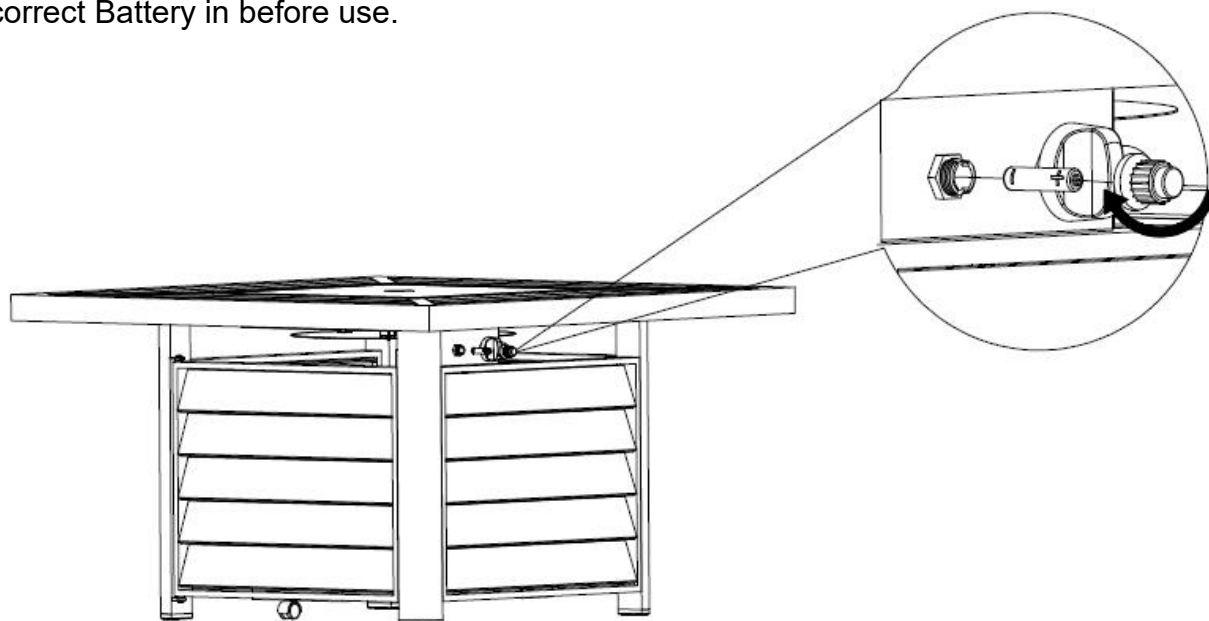
**CAUTION:** Natural Gas leak testing is similar to LP Gas leak testing, the different is you need to apply the soapy water mixture to the gas supply pipe nipple.

## BATTERY INSTALLATION

---

1xAAA Battery (Battery not included)

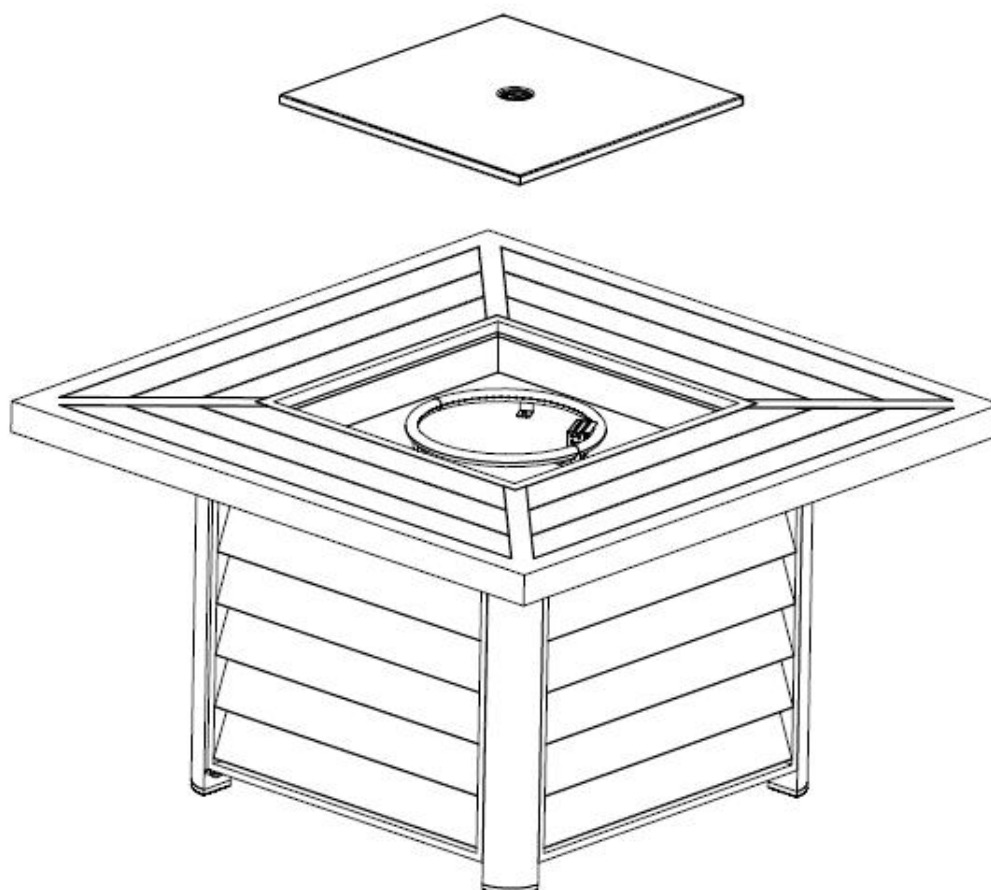
Put correct Battery in before use.



## STORAGE FOR TABLE COVER

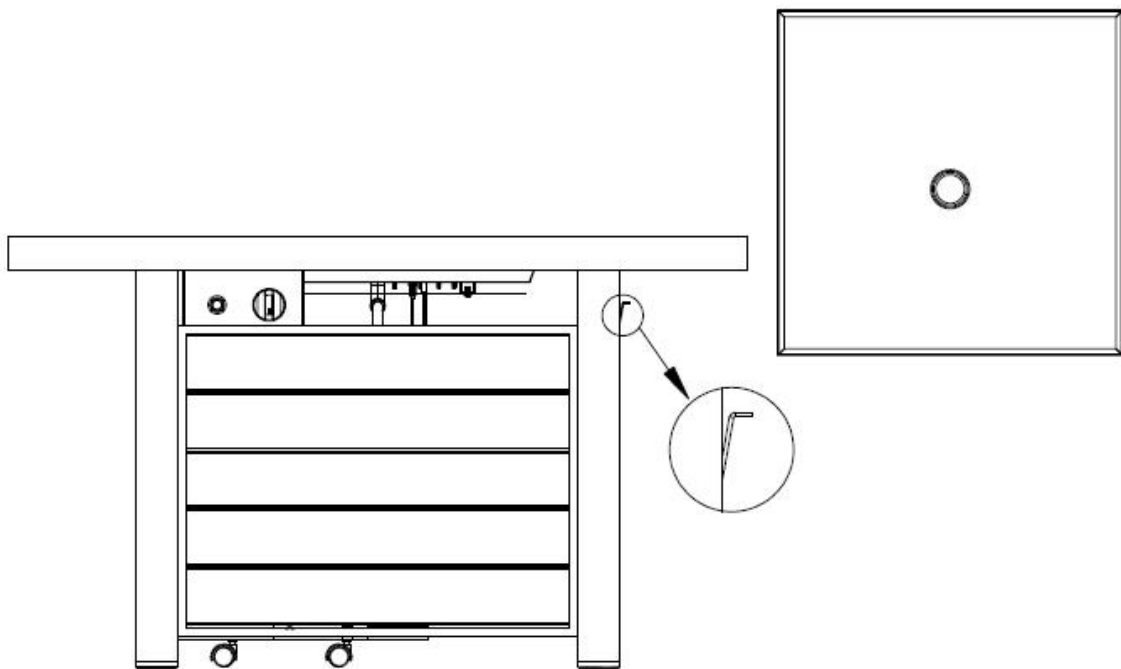
---

### Step 1

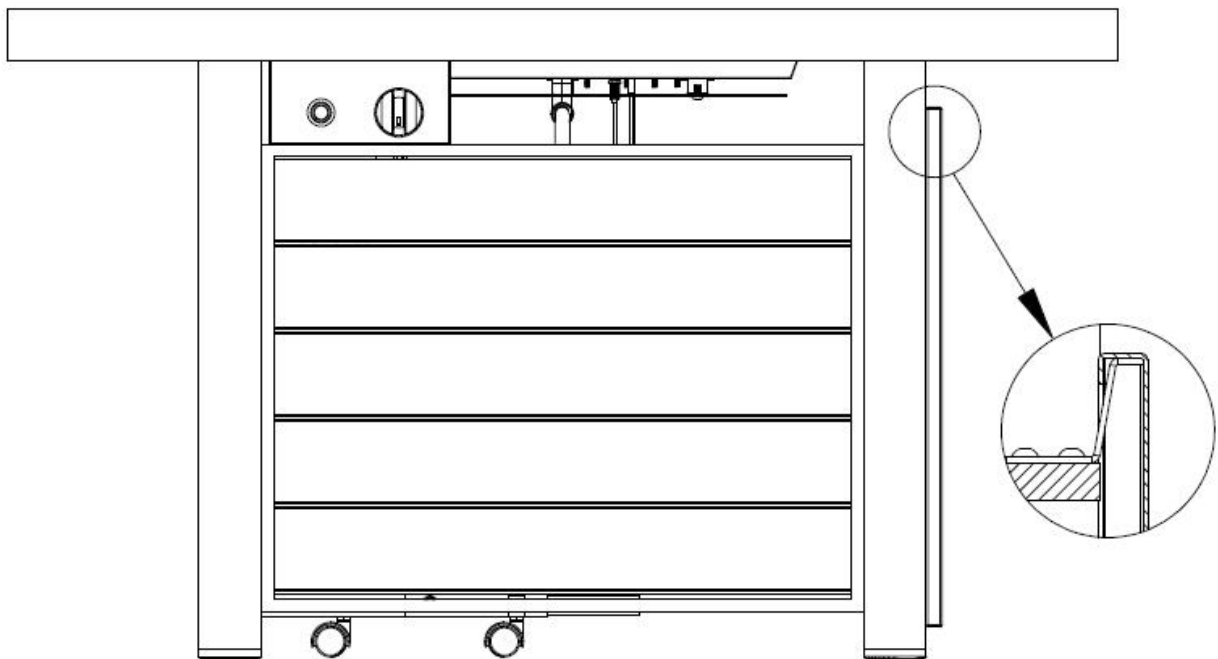


## Step2

Put the Lip on the pothook for storage.



## Step3



## LIGHTING INSTRUCTIONS

---

**Caution:** Keep outdoor gas cooking appliance area clear and free from combustible materials, gasoline and other flammable vapors and liquids.

**Caution:** Do not obstruct the flow of combustion and ventilation air.

**Caution:** Check and clean burner/venturi tubes for insects and insect nests. A clogged tube can lead to a fire beneath the grill.

**Caution:** Attempting to light the burner with the lid closed may cause an explosion.

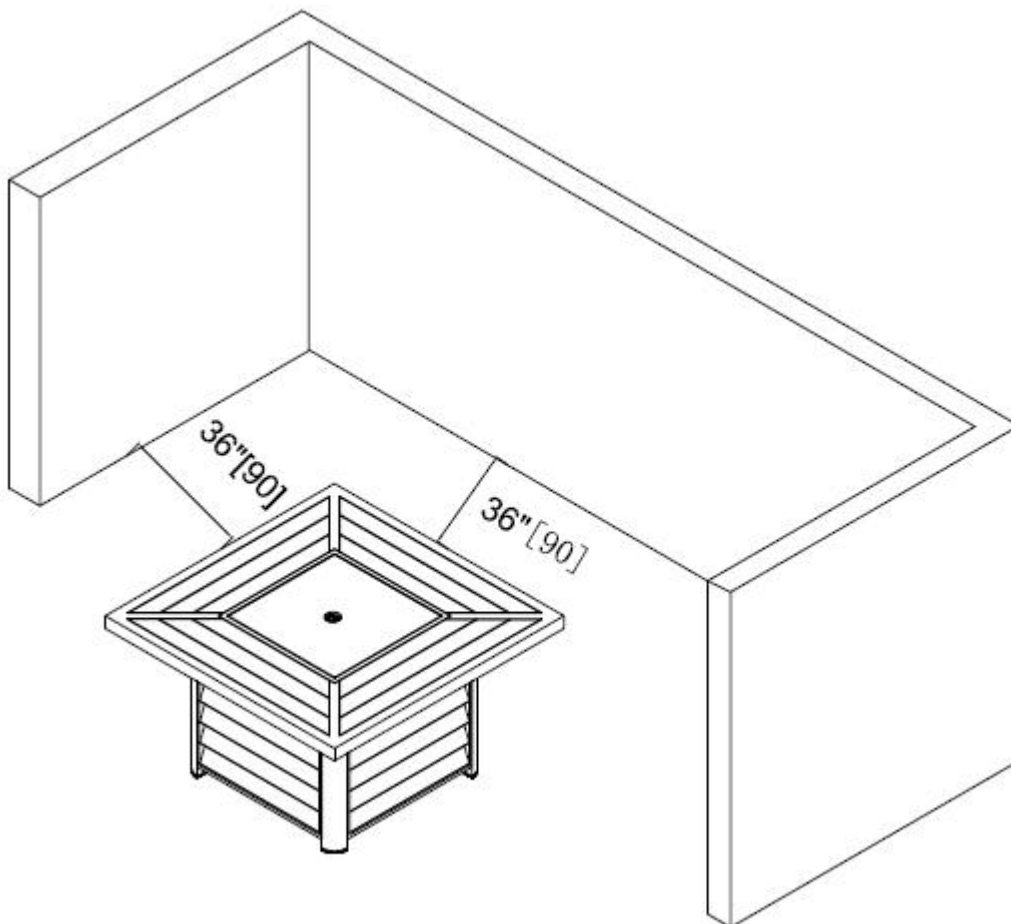
### Lighting

1. Read instructions before lighting.
2. Control knob must be in the "OFF" position.
3. Connect propane cylinder/open the gas supply line.
4. Push and turn control knob counter clockwise to "LOW". Hold the knob, until the flame doesn't go out.
5. Press the IGNITION button and hold for up to 5 seconds to light burner.
6. Release control knob after 45 seconds.
7. If ignition does not occur in 45 seconds, push and turn burner control knob to "OFF" wait 5 minutes, and repeat lighting procedure.
8. If igniter does not light burner, use a long match or long butane lighter.
9. Adjust flame to desired flame with the control knob.

Minimum clearance:Top:6Ft.(72")sides:2ft.(36")

Minimum clearance from sides and back of unit to adjacent combustible construction below top of unit,36 inches from sides 36 inches from back.

CAUTION:20lb LP cylinder only.



## TROUBLESHOOTING

---

| PROBLEM             | POSSIBLE CAUSE   | CORRECTIVE ACTION                                   |
|---------------------|--|---|
| Burner won't light  | Propane cylinder is empty  | Replace propane cylinder                            |
|                     | Blockage in orifice  | Clear blockage                                      |
|                     | Control knob is not in ON position                                   | Turn control knob to ON                             |
| Burner flame is low | Gas pressure is low  | Turn cylinder valve OFF and fill the cylinder       |
|                     | Outdoor temperature is less than 40°F and tank is less than 1/4 full | Use a full cylinder                                 |
|                     | Control knob fully ON  | Check burner and orifices for blockage              |
| Carbon build-up     | Dirt or film on reflector and burner screen                          | Clean reflector and burner screen                   |
| Thick black smoke   | Blockage in burner   | Remove blockage and clean burner inside and outside |

## CARE AND MAINTENANCE

---

**CAUTION:** All cleaning and maintenance should be done when fire pit is cool and with the fuel supply disconnected.

1. DO NOT clean any outdoor fire pit part in a self cleaning oven. The extreme heat will damage the finish.
2. Do not enlarge valve orifices or burner ports when cleaning the valves or burners.

### Notices

1. This outdoor fire pit should be thoroughly cleaned and inspected on a regular basis.
2. Abrasive cleaners will damage this product.
3. Never use oven cleaner to clean any part of outdoor fireplace.

### Before Each Use

1. Keep the outdoor fire pit area clean and free from any combustible materials, gasoline, and other flammable vapors and liquids.
2. Do not obstruct the flow of the combustion of LP and the ventilation air.
3. Keep the ventilation opening of the LP gas tank area free and clear from debris.
4. Visually check the burner flames to make sure your outdoor fire pit is working properly.
5. See sections below for proper cleaning instructions.
6. Check all gas connections for leaks.
7. Check components for any signs of damage or rust.
8. Check and clean the burner/venturi tubes for insects and insect nests. A clogged tube can lead to a fire beneath the outdoor fire pit.
9. If damage to any component is detected, do NOT operate until repairs are executed.

### Cleaning Surfaces

1. Wipe surfaces clean with mild dishwashing detergent or baking soda mixed with water.
2. For stubborn surfaces use a citrus based degreaser and a nylon scrubbing brush.
3. Rinse clean with water.
4. Allow to air dry.

### Storage

Between uses:

- Turn Control Knob OFF.
- Disconnect LP source.
- Store fire pit upright in an area sheltered from direct contact with inclement weather (such as rain, sleet, hail, snow, dust and debris).
- If desired, cover fire pit to protect exterior surfaces and to help prevent build-up in air passages.  
**Note:** Wait until fire pit is cool before covering.

### During periods of extended inactivity or when transporting:

- Turn Control Knob OFF.
- Disconnect LP source and move to a secure, well-ventilated location outdoors.
- Store fire pit upright in an area sheltered from direct contact with inclement weather (such as rain, sleet, hail, snow, dust and debris).
- If desired, cover fire pit to protect exterior surfaces and to help prevent build-up in air passages. Never leave LP cylinder exposed to direct sunlight or excessive heat.  
**Note:** Wait until fire pit is cool before covering.

Before each use of appliance, inspect the hose and make sure to properly locate the gas. Always inspect the hose for evidence of excessive abrasion, cuts or wear prior to use, and make sure to leak test. The hose assembly must be replaced prior to the appliance being put into operation if there is evidence of excessive abrasion or wear or if the hose is damaged. The replacement hose assembly shall be that specified by the manufacturer.