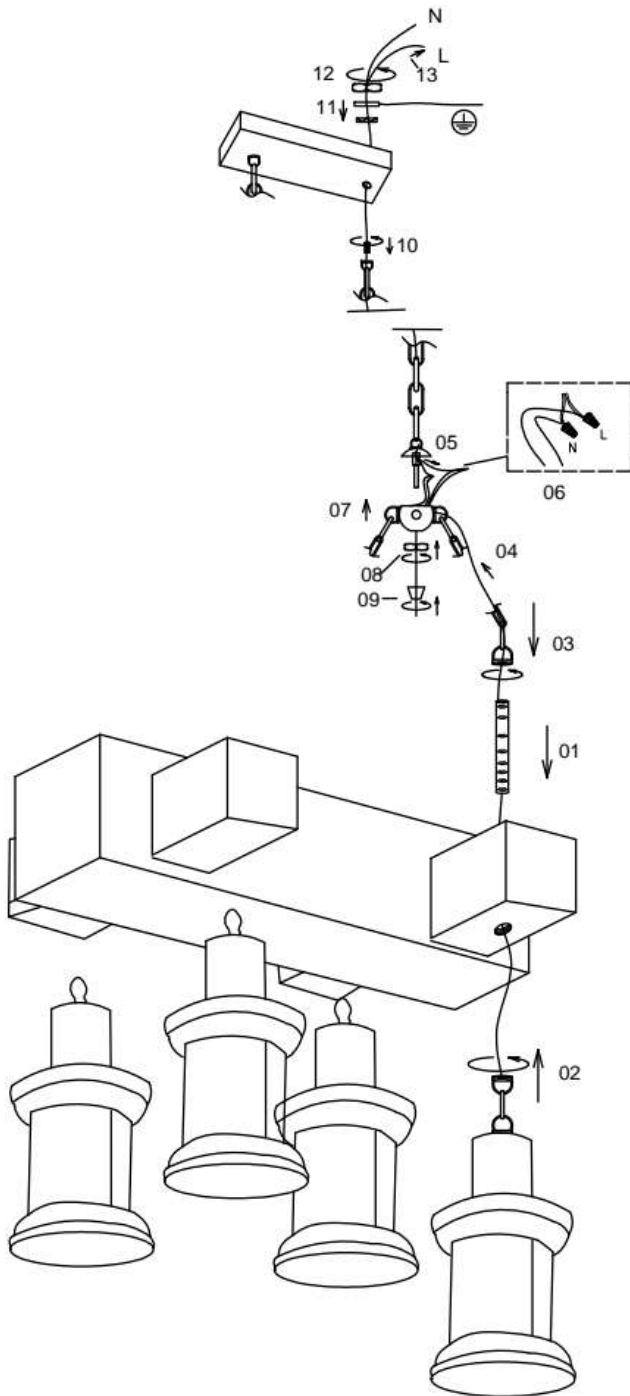


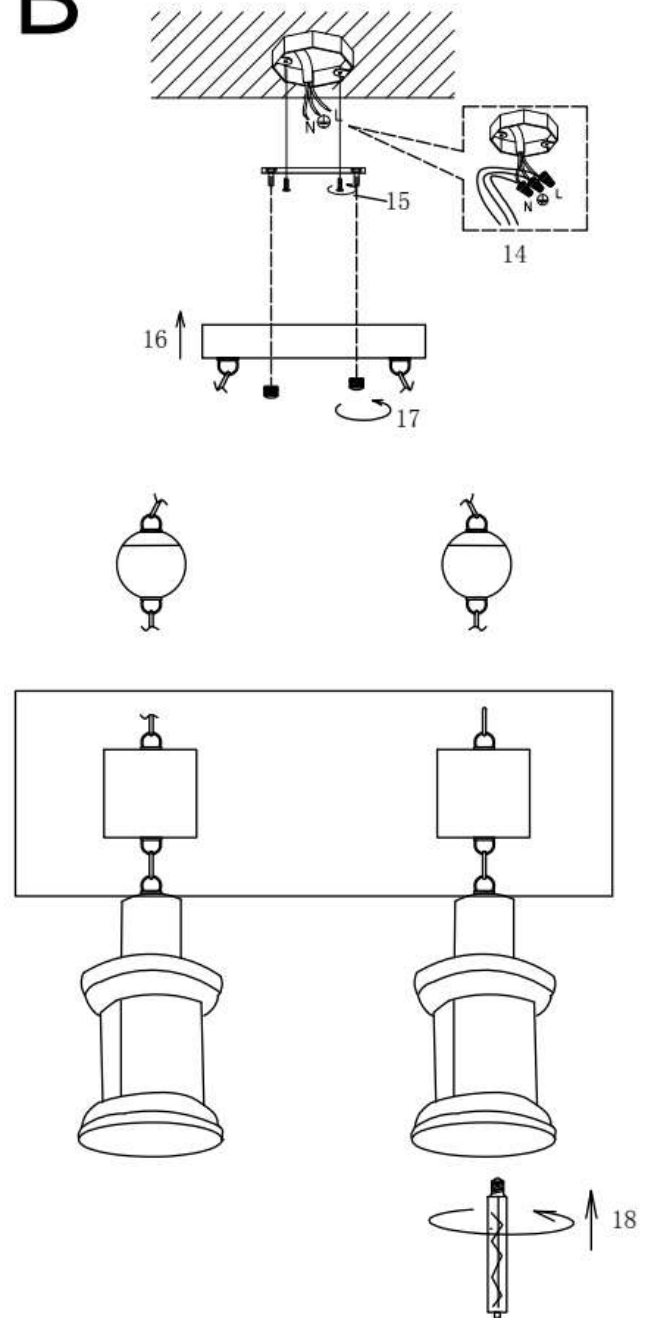
Instructions

Mold:

A



B



1. Please check all parts after opening the box, installation of this product should be carried out by a qualified electrician.
2. Please install this product in dry and ventilated place. Not for use in wet conditions.
3. In order to increase life span of the lamp, please wear glove when installation and keep product surface clear by clearing the lamp with soft cloth.
4. please ensure all connections are tight after finishing installation.