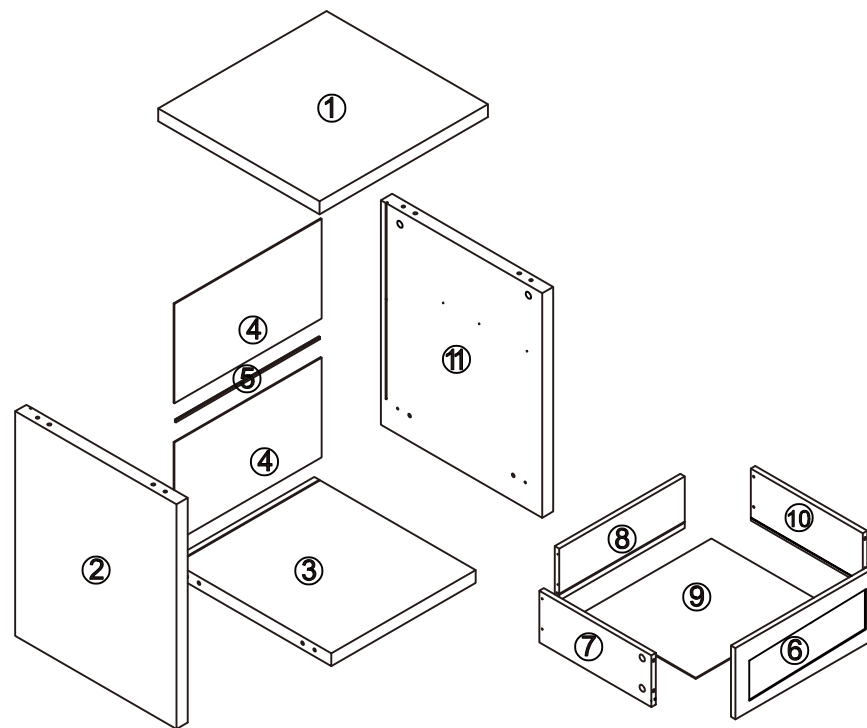
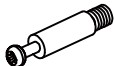














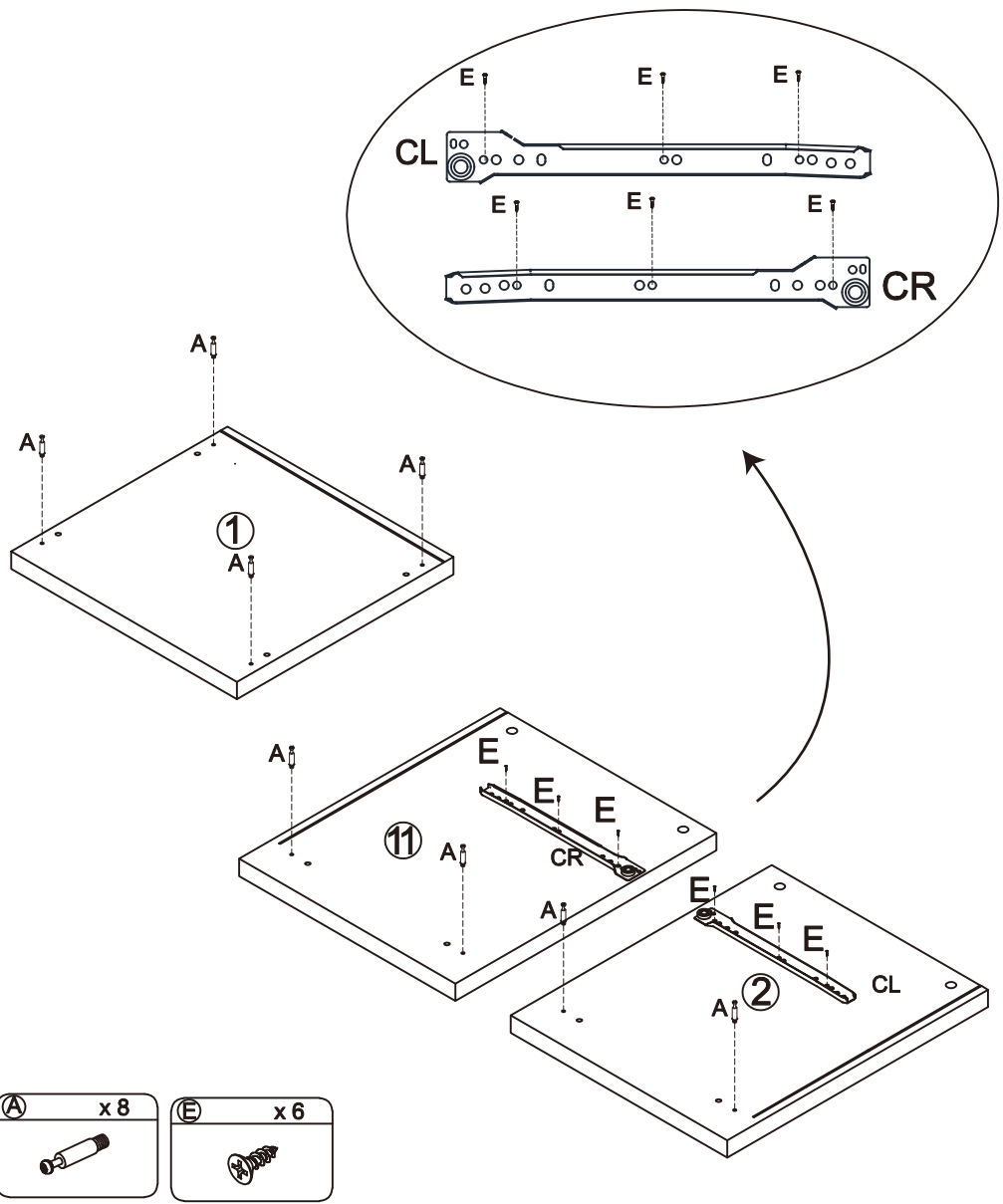
Parts list



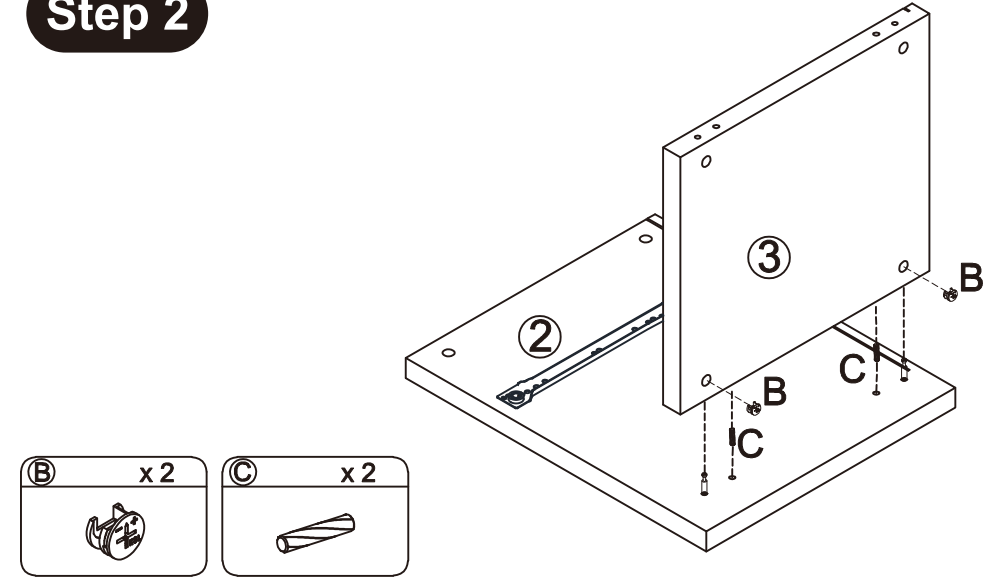
Hardware list

A x12 	B x12 	C x8 $\phi 6*30\text{MM}$ 	D x4 M4*35 	
E x14 M3*12 	F x1 	G x6 	H x6 M3*16 	
I x12 	CL x1 	CR x1 	DR x1 	DL x1 

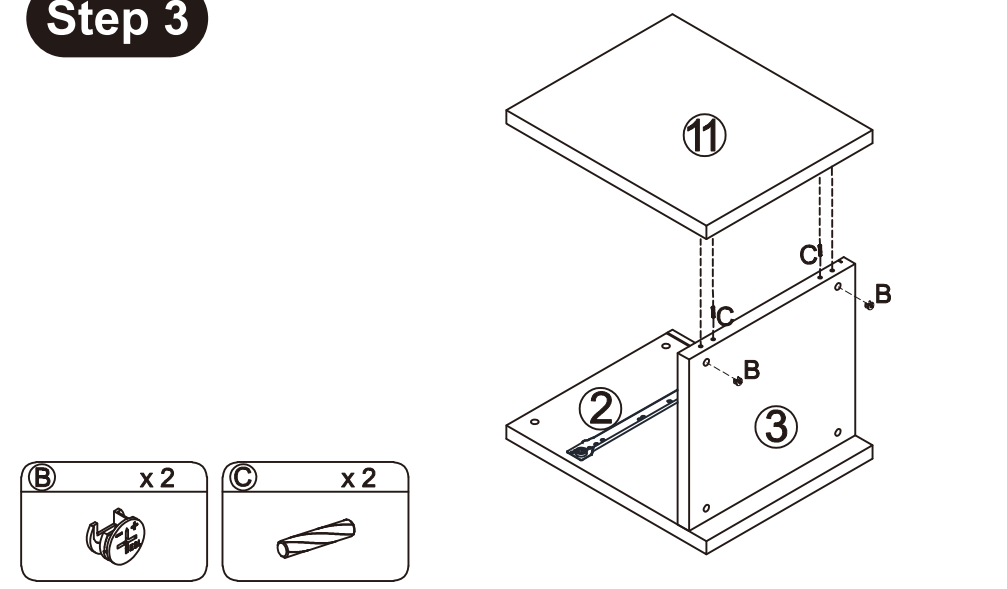
Step 1



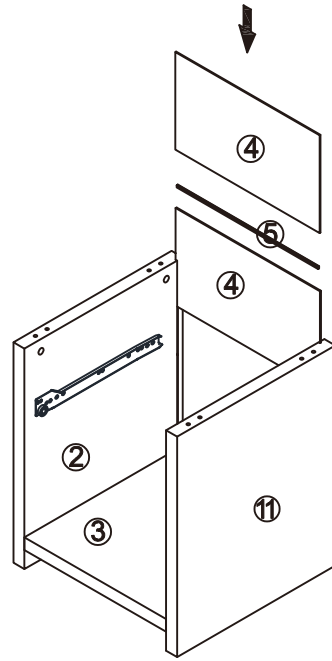
Step 2



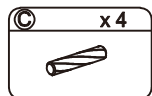
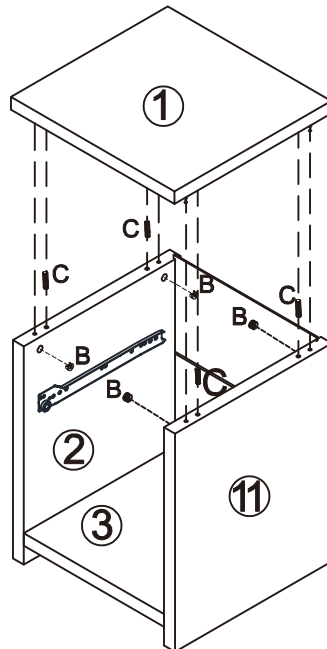
Step 3



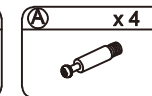
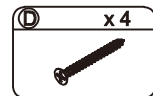
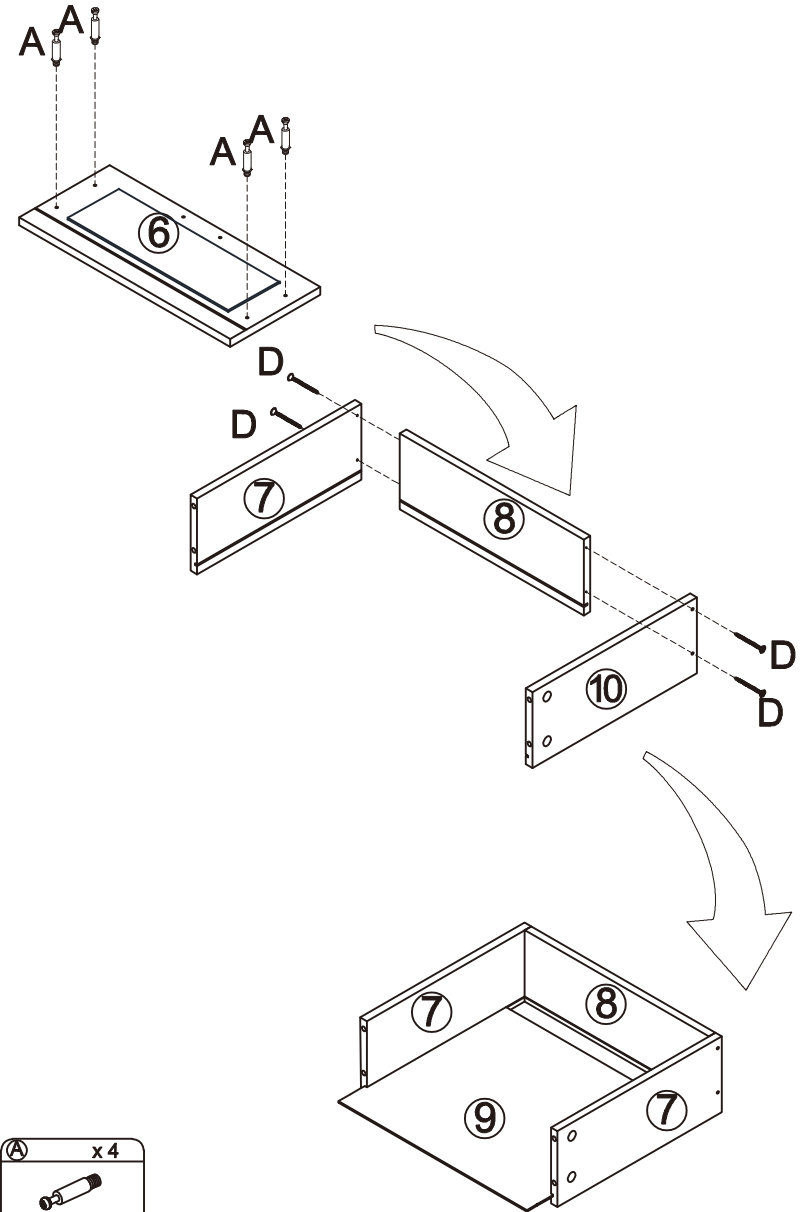
Step 4



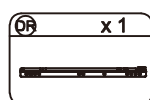
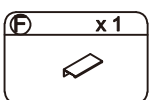
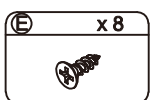
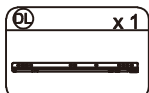
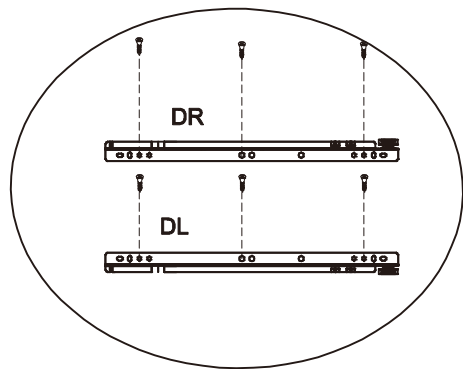
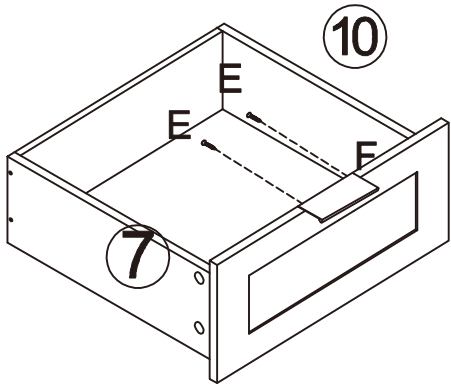
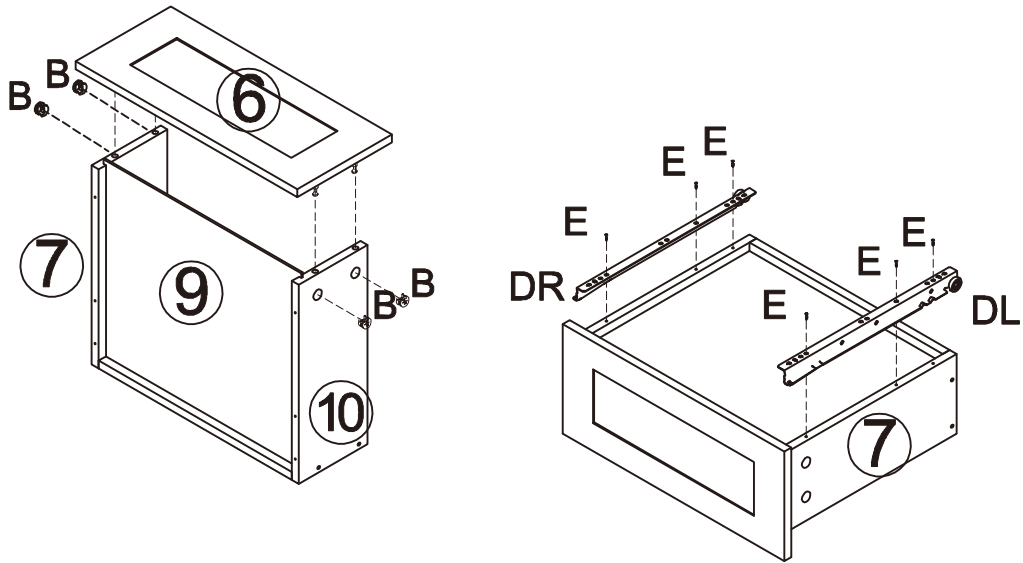
Step 5



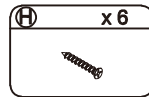
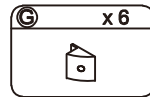
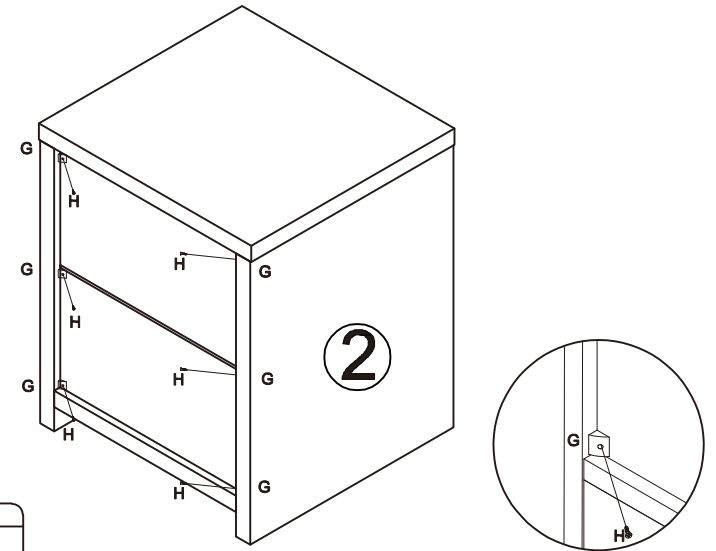
Step 6



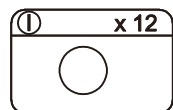
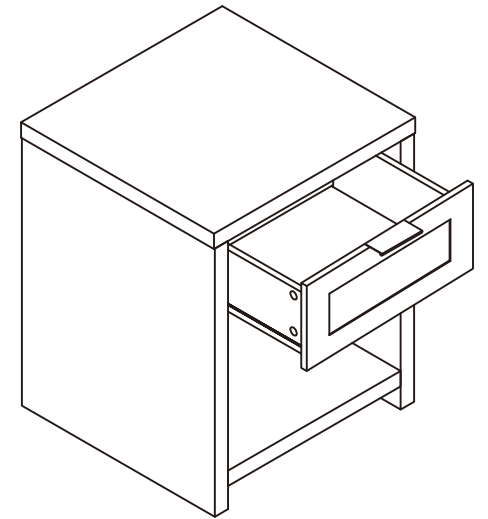
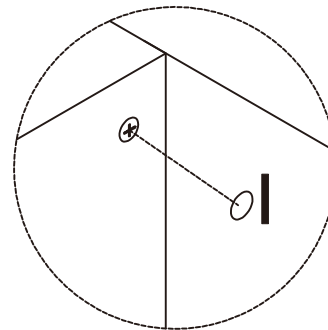
Step 7



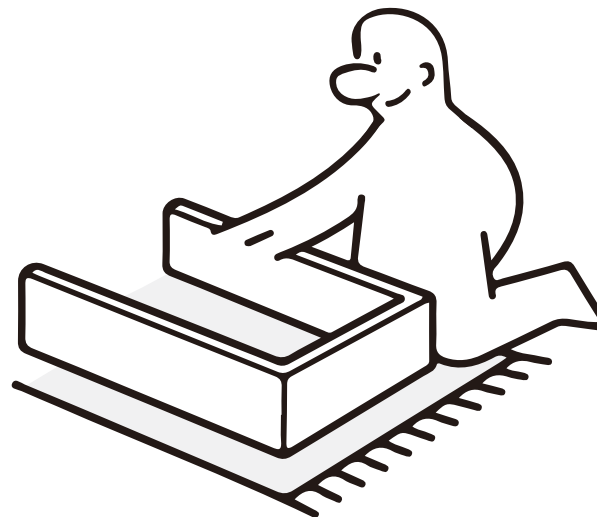
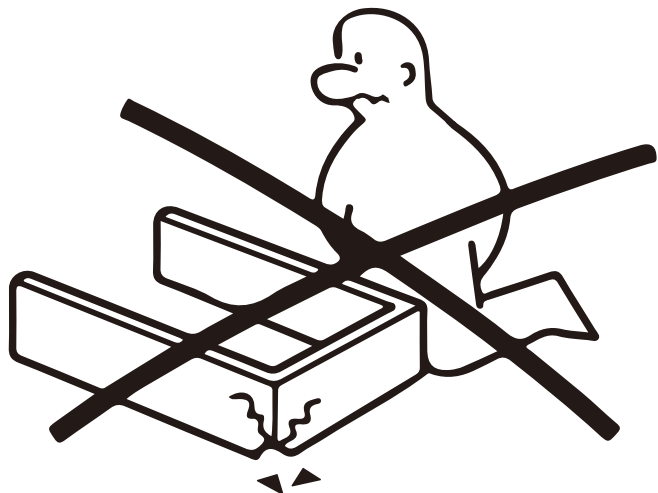
Step 8



Step 9



※ **Stay Scratch-Free: Safeguard Your Furniture by Assembling on Carpet.**



※ **Stuck in Assembly Limbo? Check out our website or contact our support team for quick solutions!**

