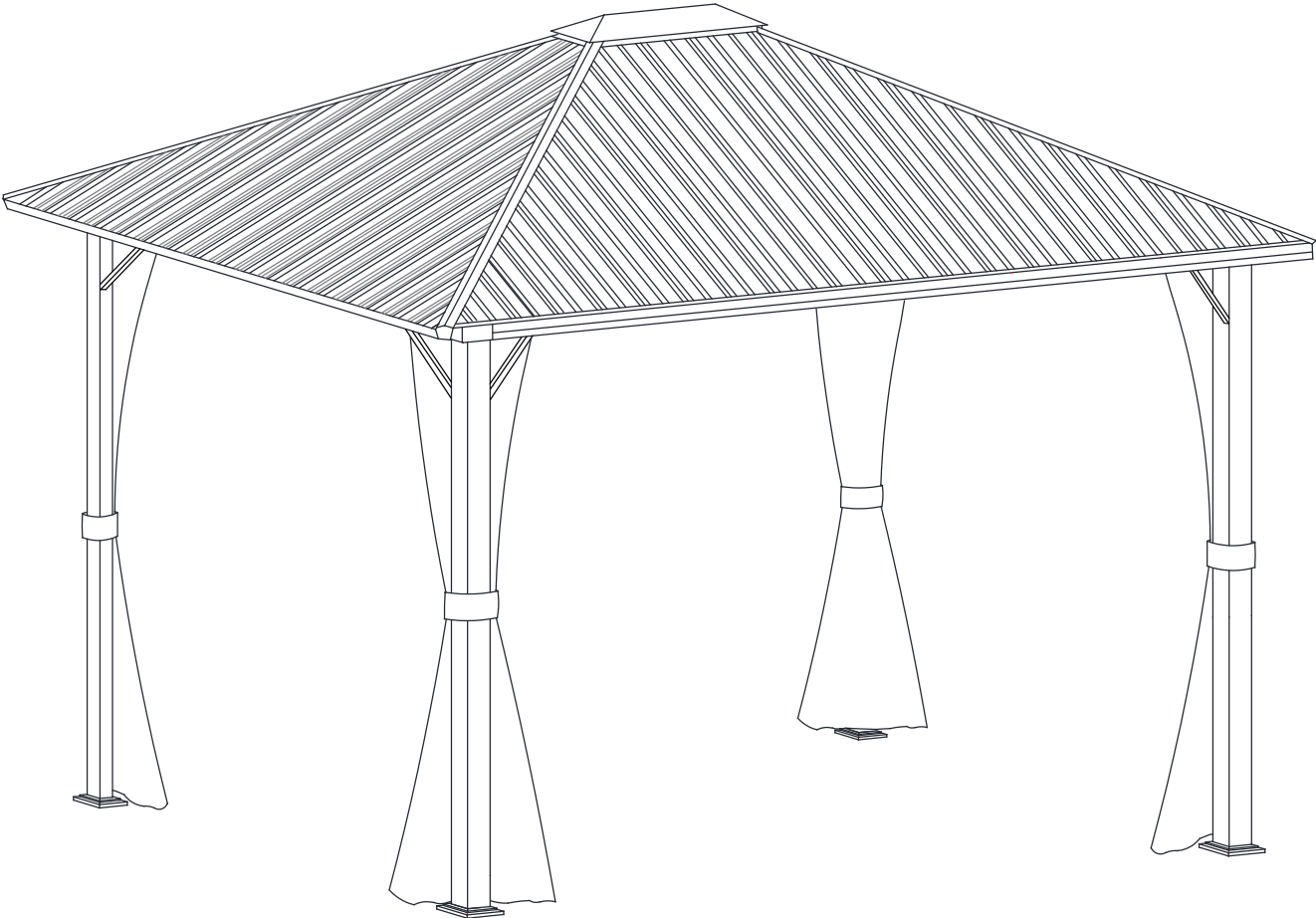


USE AND CARE GUIDE



Important Safety Instructions



WARNING! To reduce the risk of serious injury or damage to equipment, read all following safety instructions before assembling and using the gazebo. Failure to follow these warnings may result in serious injury or death.

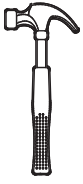
- Keep all children and pets away from assembly area. Children and pets should be supervised while gazebo is being assembled.
- The assembled gazebo should be located at least 6 feet (2 m) from any obstruction such as fence, garage, house, overhanging branches, laundry lines or electrical wires.
Consult with local municipal office for specific requirements
- This product is for domestic outdoor use (providing shade) only.
- Install the gazebo on level ground. Stakes are provided to secure the gazebo to the ground. Do not assemble the gazebo on sandy, muddy or loose soil, as stakes do not have enough holding power in these types of soil. If you wish to secure the gazebo to a wood deck or concrete surface, use anchors suited to these surfaces (anchors not included).
- Some parts may contain sharp edges. Wear protective gloves if necessary during assembly.
- This unit is heavy. DO NOT assemble this item alone. Make sure you have the help of at least 3 people for safe assembling or moving the gazebo.
- Check all nuts and bolts periodically for tightness and when required, tighten them again.
- While this gazebo is manufactured to withstand winds through only the supplied ground stakes, in areas subject to frequent severe weather, securing the gazebo to a deck, concrete patio or footings should be considered.
- Remove accumulated water on the roof immediately, or disassemble the gazebo in order to avoid damages.
- Snow must be cleared off regularly throughout the winter season.
In order to avoid damages, use a plastic snow shovel to remove snow and ice buildup from roof and keep away from falling debris.
- ALWAYS DISASSEMBLE the gazebo before experiencing heavy wind conditions, as it is semi-permanent construction and not designed to withstand harsh weather, including high wind, or heavy rain and snow.
- Please check your state and local regulations prior to installing the gazebo. Some jurisdictions may require permits for installation and use. Some special procedures may be valid in your area.

CAUTION

- DO NOT use or enter the gazebo under harsh weather (e.g. thunderstorms, high winds, hail, heavy snow etc.). In these conditions, it might tip over and could cause serious injury to bystanders. Any damage or injury caused by these conditions is not covered by the warranty.
- DO NOT install the gazebo adjacent to trees or a sloped roof. Snow and ice may slide onto the gazebo and cause it to collapse.
- DO NOT use or enter the gazebo if there exist any of the following or of similar conditions:
 1. visible movement of support members, roofing panels or sagging roofline.
 2. creaks or audible noise from the gazebo.
 3. cracks, fractures or malformation of support member or roof panels.
 4. damaged or missing fasteners.
- DO NOT hang any weights on the roof frame.
- DO NOT use ladder leaning against the gazebo or climbing onto the roof.
- Keep away from heat or flame source.
- If the gazebo will not be used for a long period of time (e.g. during winter time), disassemble and store it in a clean, dry location.

PREPARATION

Required for assembly:



Hammer



Screwdriver



Safety goggles



Gloves



Hardhat



Stepladder

Before beginning assembly of product, make sure all parts are present. Compare parts with package contents list and hardware contents list.

If any part is missing or damaged, do not attempt to assemble the product.

Have 4 or more people help you when assembling or moving the product.

Estimated assembly time: 180 minutes.

CARE AND MAINTENANCE

• Our steel components for gazebo and garden accessories are treated with rust inhibiting paint that protects it from rusting. However, due to the nature of steel, surface oxidation (rusting) will occur if these protective coatings are scratched. This is not a defect and thus not covered by the warranty.

To minimize this condition, we recommend care when assembling & handling the product to prevent scratching the paint. Should any scratching or damage occur, we recommend immediate touch-up with rust inhibiting paint.

Surface rust can also be easily removed with a very light application of regular cooking oil. If surface oxidation (rusting) occurs and if no preventive measure is taken, the oxidation may start dripping onto deck or patio and caused damaging stains, which may be difficult to remove.

This damage can be prevented if the above-mentioned measures are taken to keep the gazebo's frame from oxidizing.

- Do not use bleach, acid, or other abrasive cleaners on the roof or frame parts.
- Keep instruction manual for future reference.
- Keep the original packaging to store the gazebo.

Warranty

1 YEAR WARRANTY FOR FRAME, FABRIC AND ELECTRONICS

WHAT IS COVERED

We guarantee 1 year for the whole gazebo from the date of purchase that the frame, fabric and electronics will be free from manufacturing defects.

WHAT IS NOT COVERED

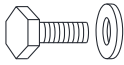
This warranty does not cover the damage caused by commercial use, acts of nature, fire, freezing, and abusive use. Discoloration or fading of the finish or fabrics as a result of chemicals or spills is not covered.

HARDWARE INCLUDED

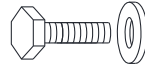


NOTED: Hardware not shown to actual size.

AA



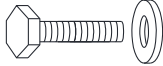
BB



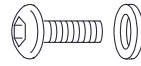
CC



DD



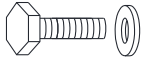
EE



FF



GG



HH



II



JJ



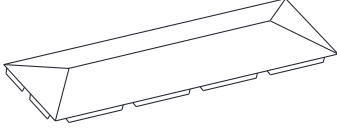
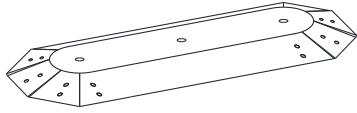
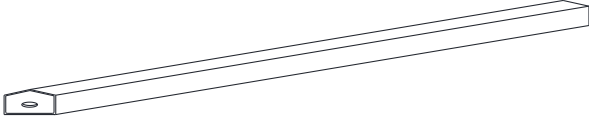




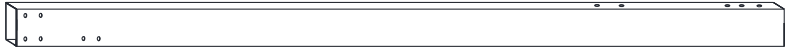

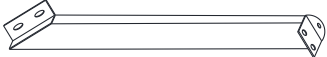
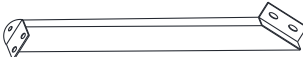
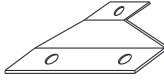
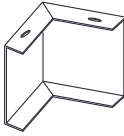
KK



Part	Description	Size	QTY.
AA	Bolt	M6*15mm	200
BB	Bolt	M6*25mm	20
CC	Bolt	M6*15mm	32
DD	Bolt	M6*35mm	8
EE	Bolt	M6*15mm	8
FF	Cushion Block		20
GG	Bolt	M6*25mm	3
HH	Ground nail		16
II	Hexagon wrench		1
JJ	Fork wrench		1
KK	Hook		88


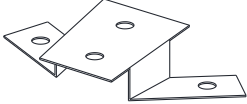
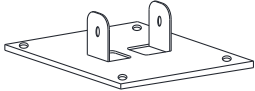


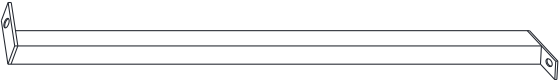
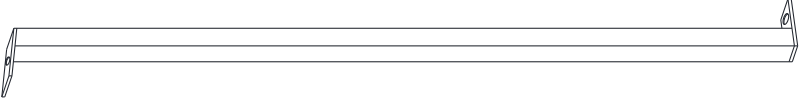
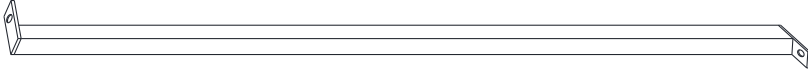





Pre-Assembly (continued)

Package Contents

ITEM	DESCRIPTION	QTY.	ILLUSTRATION
A	Upper Central Connector	1	
B	Lower Central Connector	1	
C	Long Top Bar	4	
D	Short Top Bar	6	
E1	Left Lintel	2	
E2	Right Lintel	2	
E3	Left Lintel	2	
E4	Right Lintel	2	
F	Connector	4	
G1	Left Support Bar	4	
G2	Right Support Bar	4	
H	Connector	6	
I	Corner Connector	4	






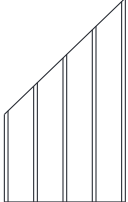
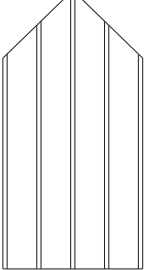

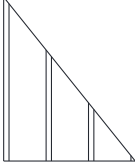
Pre-Assembly (continued)

Package Contents

ITEM	DESCRIPTION	QTY.	ILLUSTRATION
J	Post	4	
K	Top Connector	4	
L	Base	4	
M	Base Cover	4	
N1	#1 Roof Supports	4	
N2	#2 Roof Supports	4	
O1	#3 Roof Supports	4	
O2	#4 Roof Supports	4	
O3	#5 Roof Supports	4	
P1	#1 Roof Borders	4	
P2	#2 Roof Borders	4	
P3	#3 Roof Borders	2	
Q	Top Panel Cover	4	


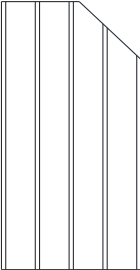
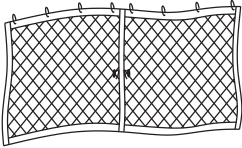
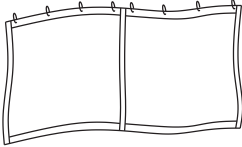
Pre-Assembly (continued)

Package Contents

ITEM	DESCRIPTION	QTY.	ILLUSTRATION
R	Lintel Cover	4	
R1	Short Bar Connector	6	
V1	Mosquito Net Rod	4	
V2	Mosquito Net Rod	4	
(1)	#1 Roof Panel	4	
(2)	#2 Roof Panel	4	
(3)	#3 Roof Panel	2	
(4)	#4 Roof Panel	4	
(5)	#5 Roof Panel	4	

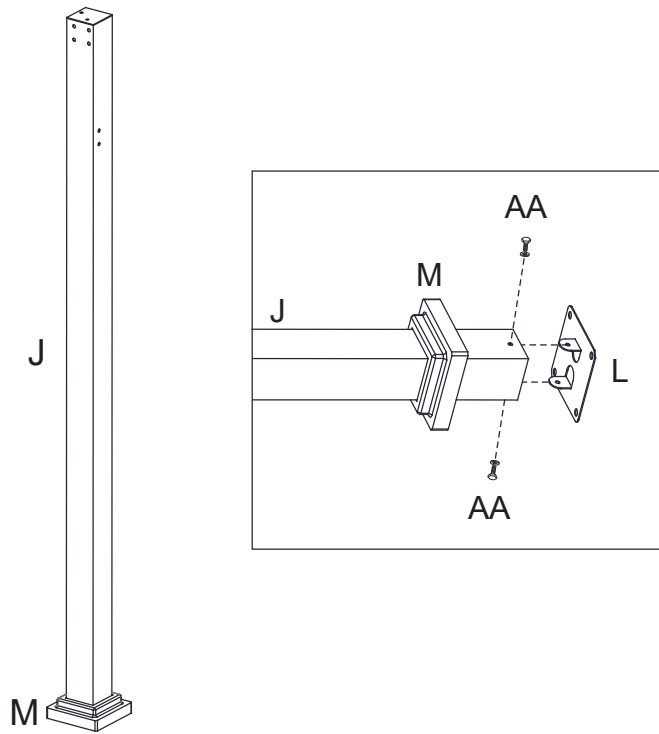
Pre-Assembly (continued)

Package Contents

ITEM	DESCRIPTION	QTY.	ILLUSTRATION
(6)	#6 Roof Panel	2	
(7)	#7 Roof Panel	2	
U	Mosquito Net	4	
W	Sidewall	4	

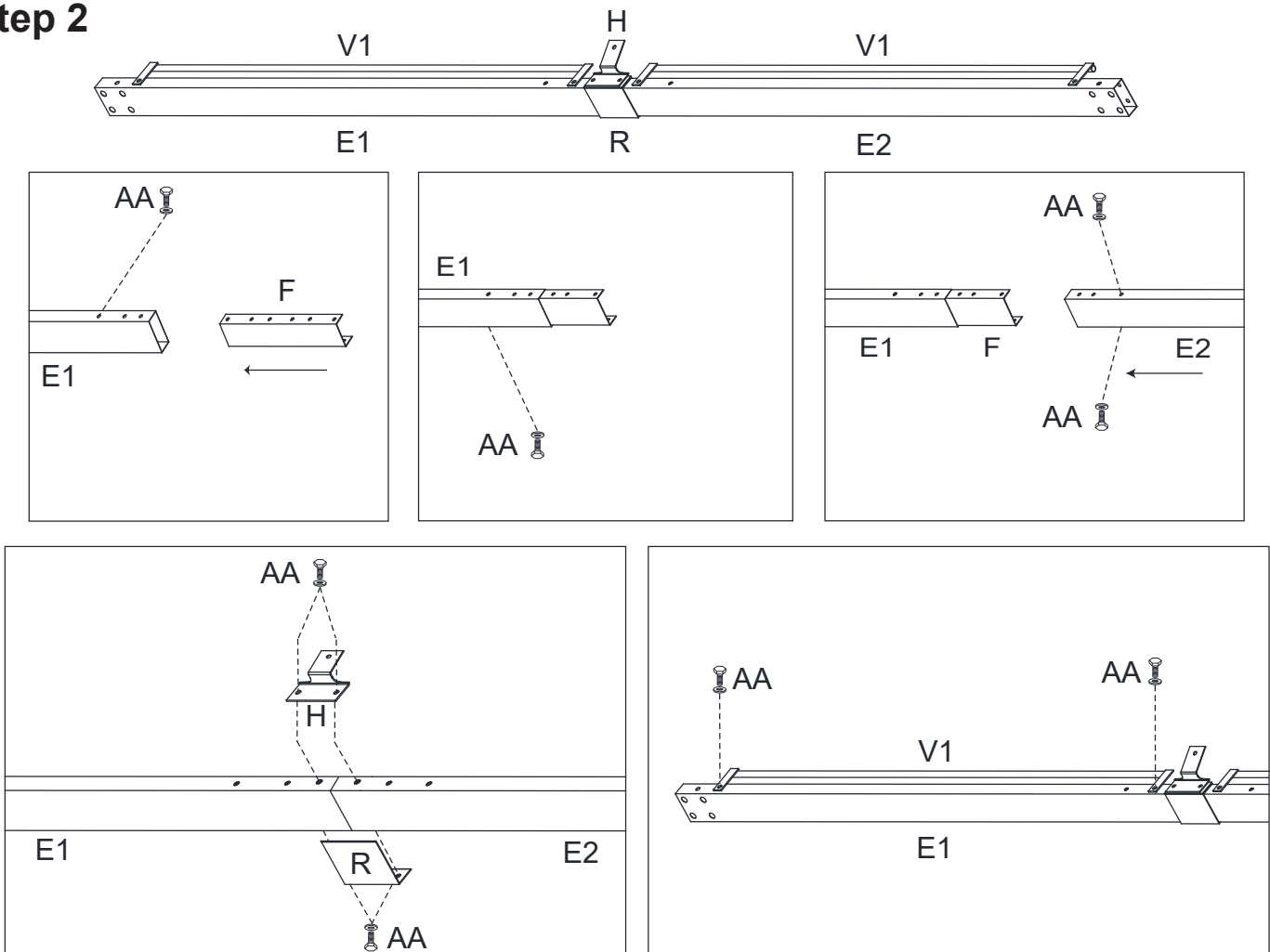
Assembly Instructions

Step 1



1. Insert the Base Cover (M) into Post (J), and then attach Post (J) to Base (L) with Bolt (W1).

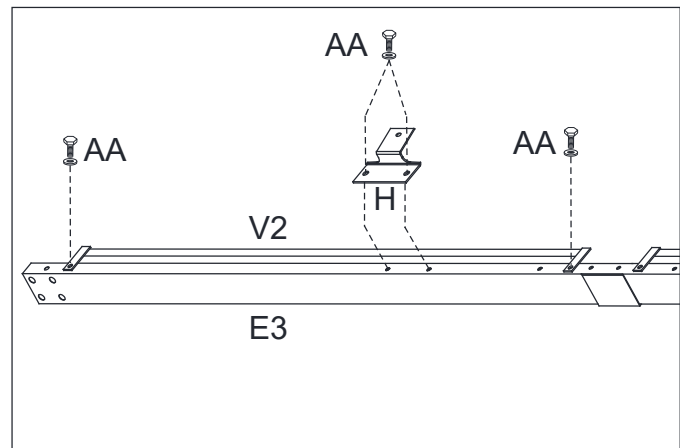
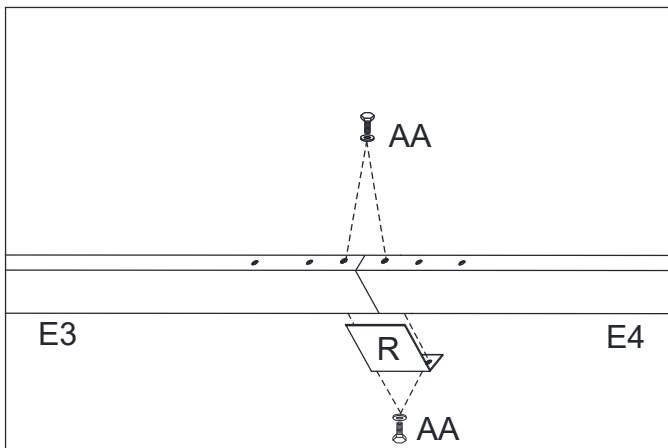
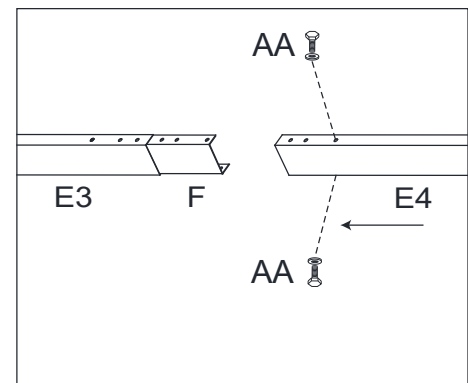
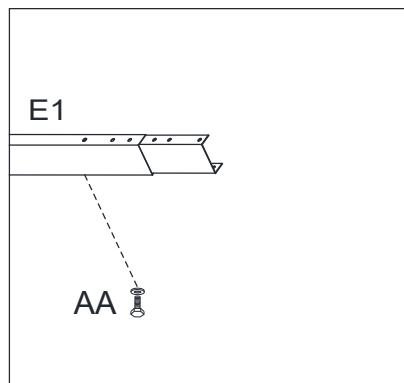
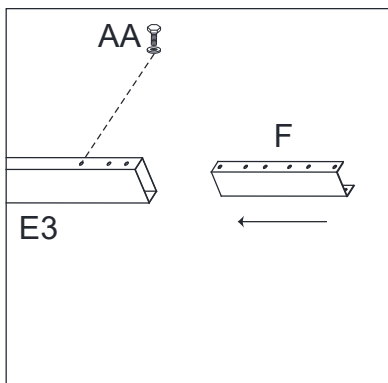
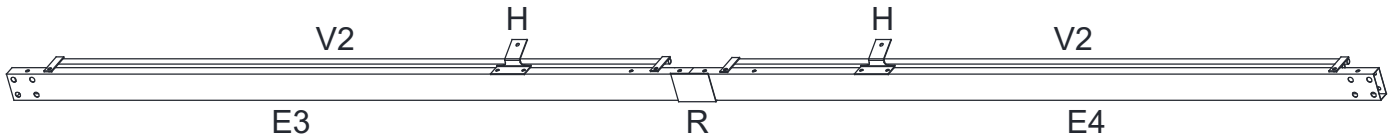
Step 2



2. Insert the Connector (F) into the Left Lintel (E1) and fix it by Bolt (AA), then insert the Connector (F) into the Right Lintel (E2) and fix it by Bolt (AA); fix the Connector (H) and the Lintel Cover (R) onto the Lintels (E1/E2) by Bolt (AA), then fix the Mosquito Net Rod (V1) onto the Lintels (E1/E2) by Bolt (AA).

Assembly Instructions

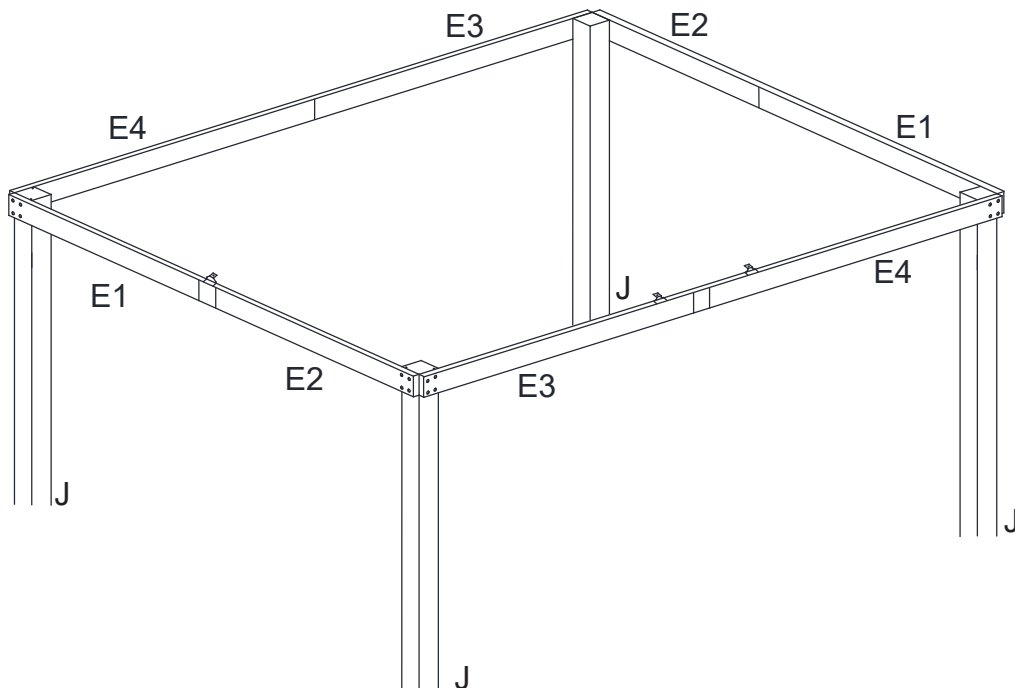
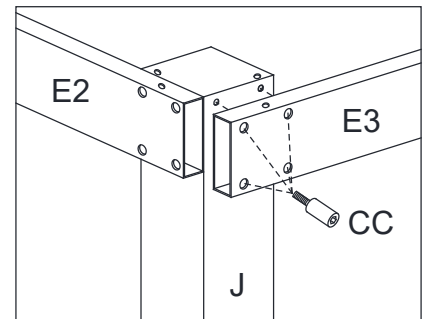
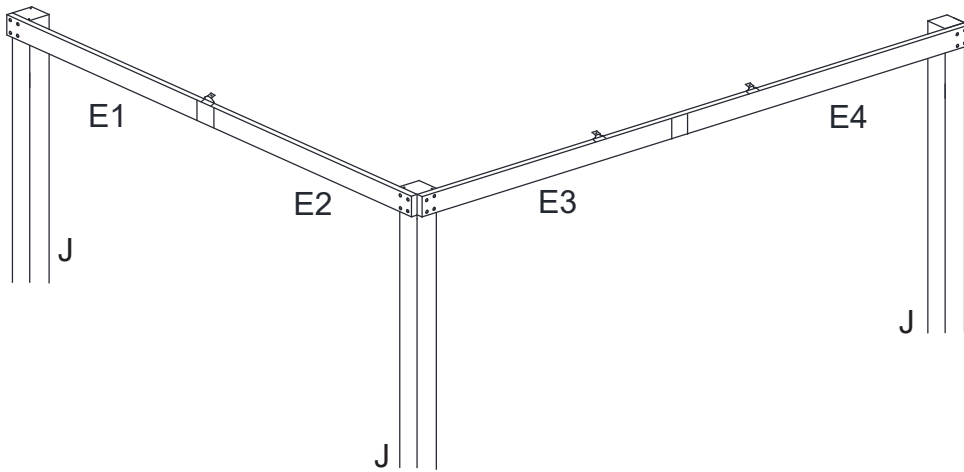
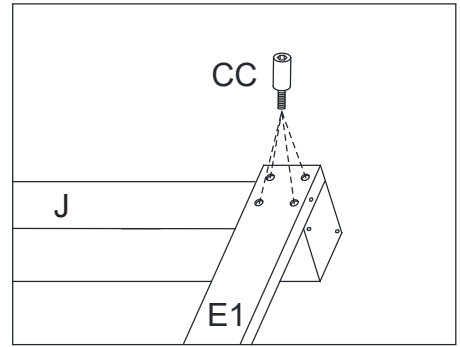
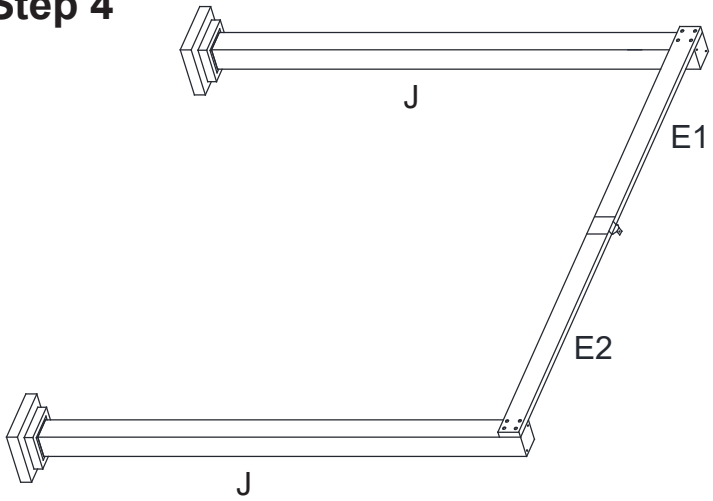
Step 3



3. Insert the Connector (F) into the Left Lintel (E3) and fix it by Bolts (AA); insert the Connector (F) into the Right Lintel (E4) and fix it by Bolts (AA); Fix the Connector (H) and the Lintel Cover (R) on the Lintels (E3/E4) by Bolt (AA), then fix the Mosquito Net Rod (V2) onto the Lintels (E3/E4) by Bolt (AA).

Assembly Instructions

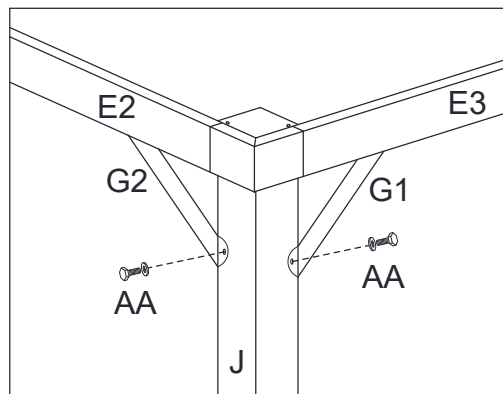
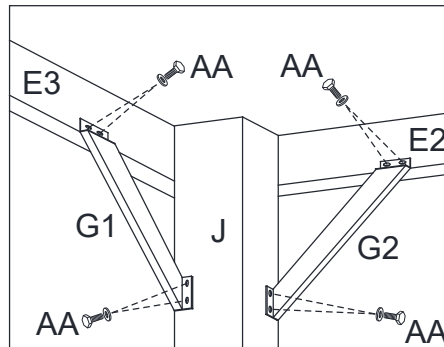
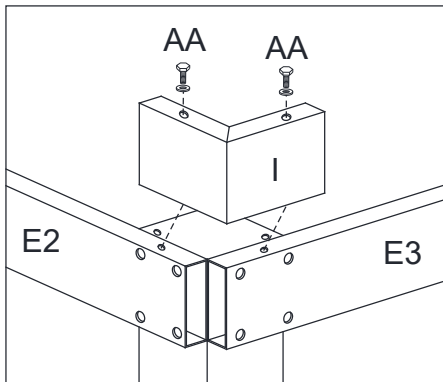
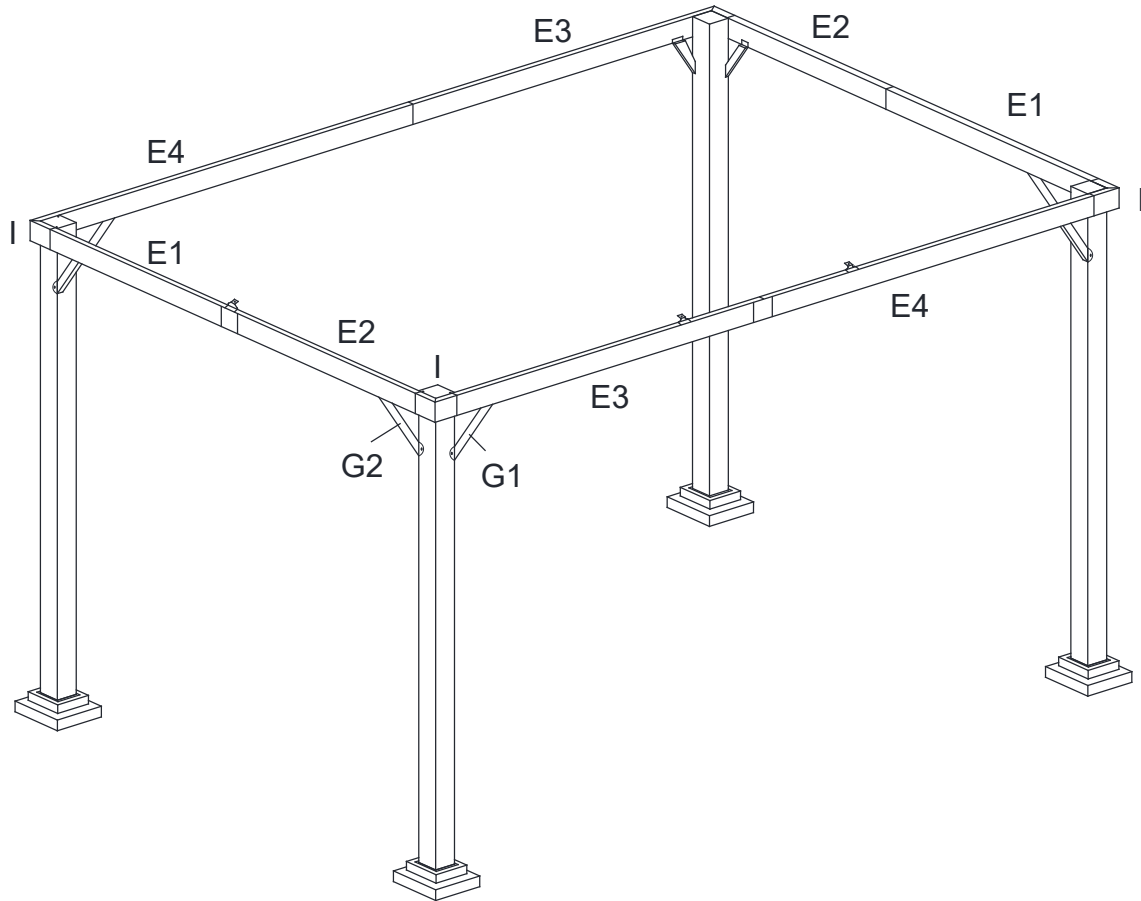
Step 4



4. Fix the Lintels (E1/E2) onto the Post (J) by Bolt (CC), then fix the Lintels (E3/E4) onto the Post (J) by Bolt (CC).

Assembly Instructions

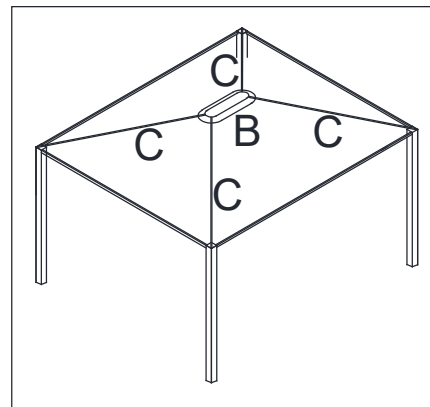
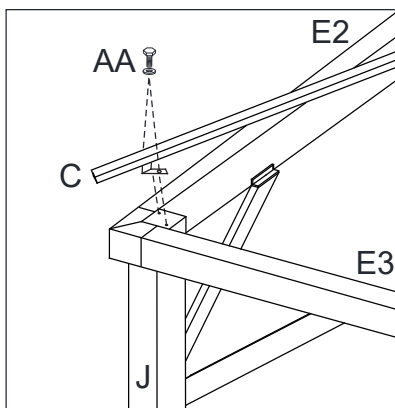
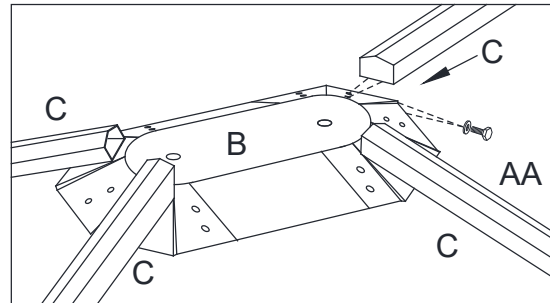
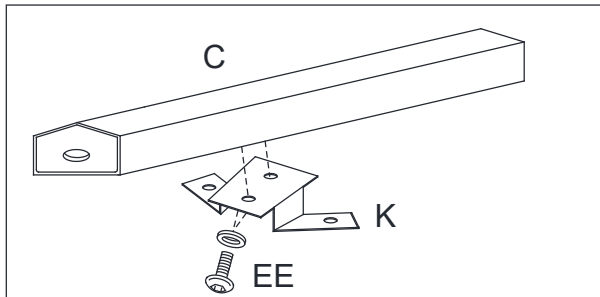
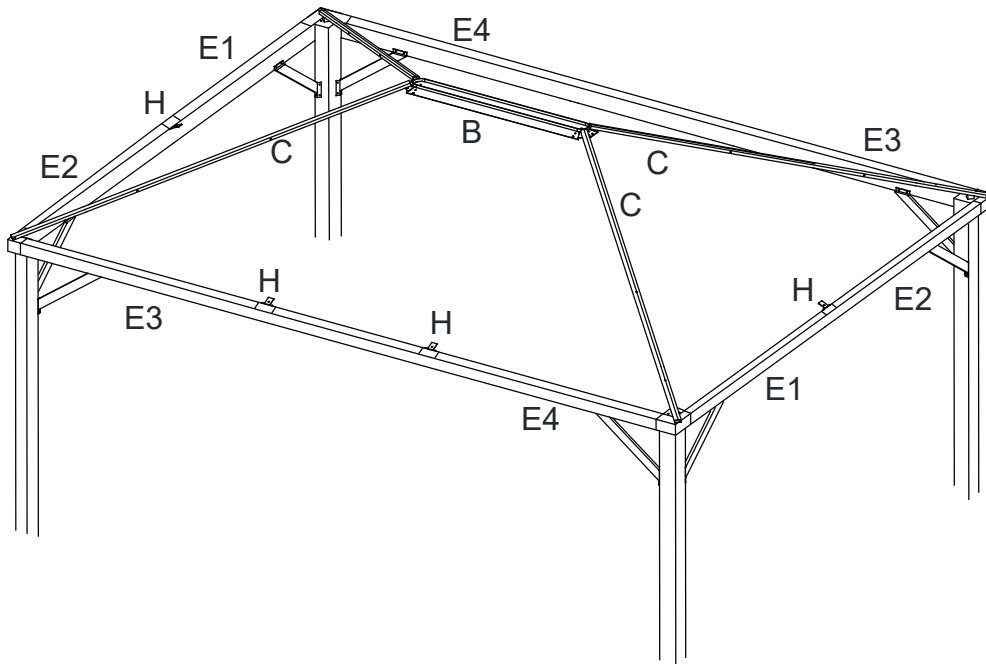
Step 5



5. Connect the Corner Connector (I) to the corner of the lintels by Bolt (AA), then fix the Left Support Bars (G1/G2) to the lintel and post.

Assembly Instructions

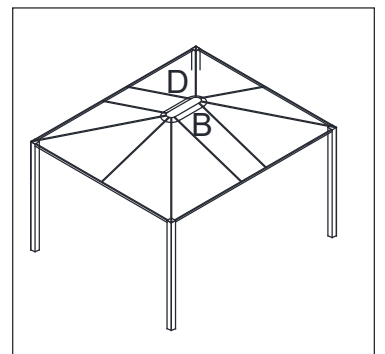
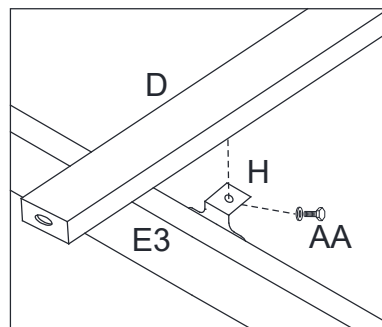
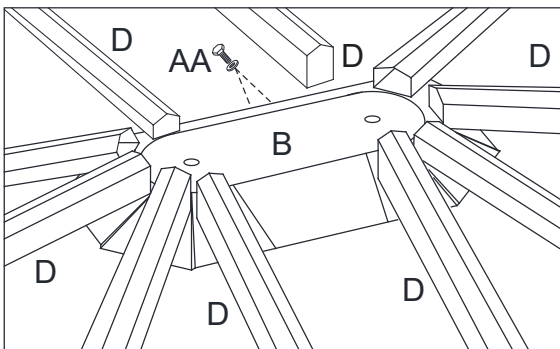
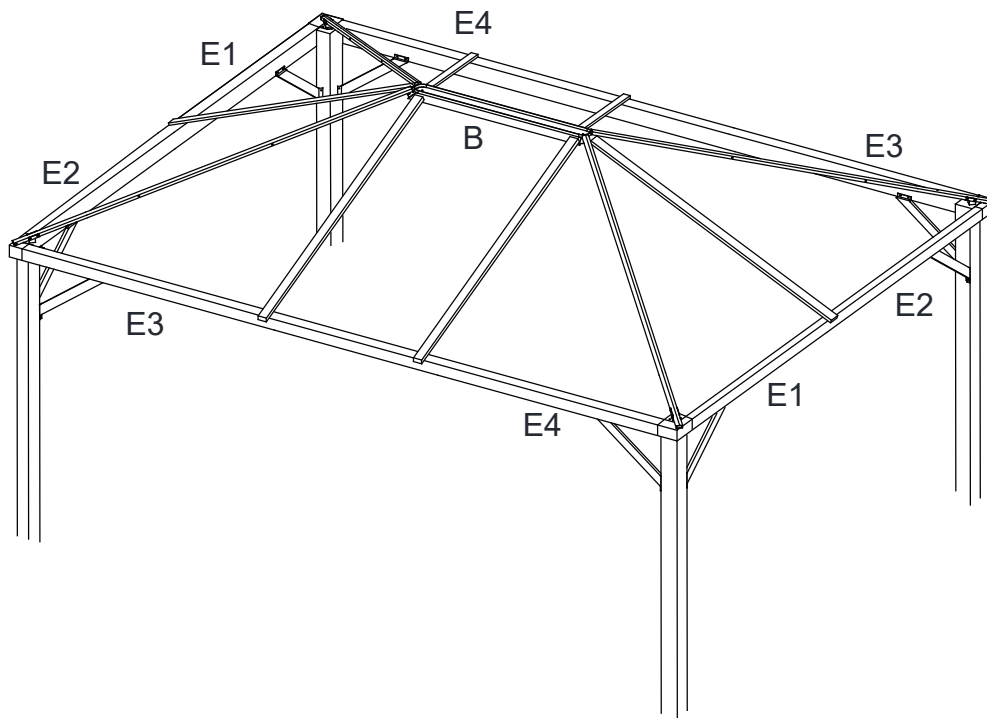
Step 6



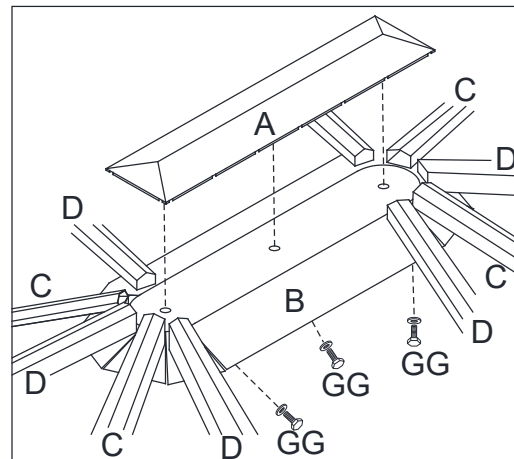
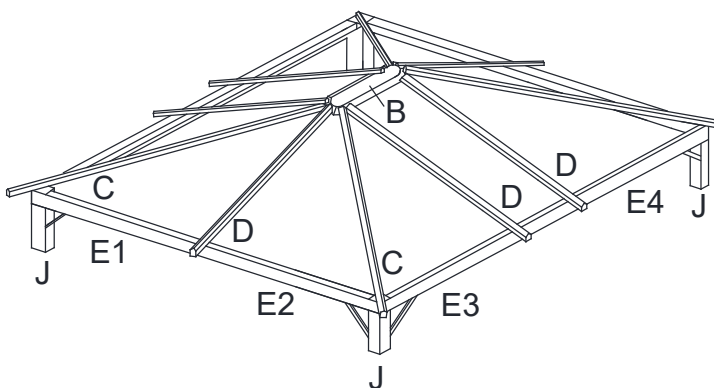
6. Fix the Top Connector (K) onto the Long Top Bar (C) with Bolt (EE), then fix the Long Top Bar (C) onto the Lower Central Connector (B) with Bolt (AA), and fix the long top bar onto the Post (J) with Bolt (AA).

Assembly Instructions

Step 7

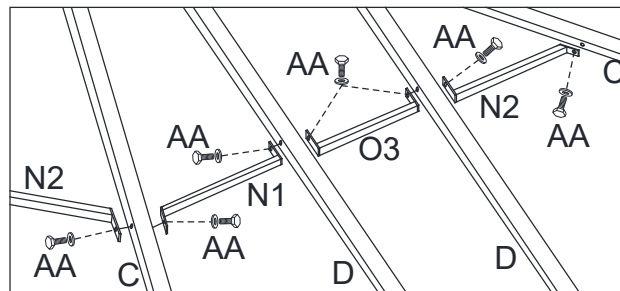
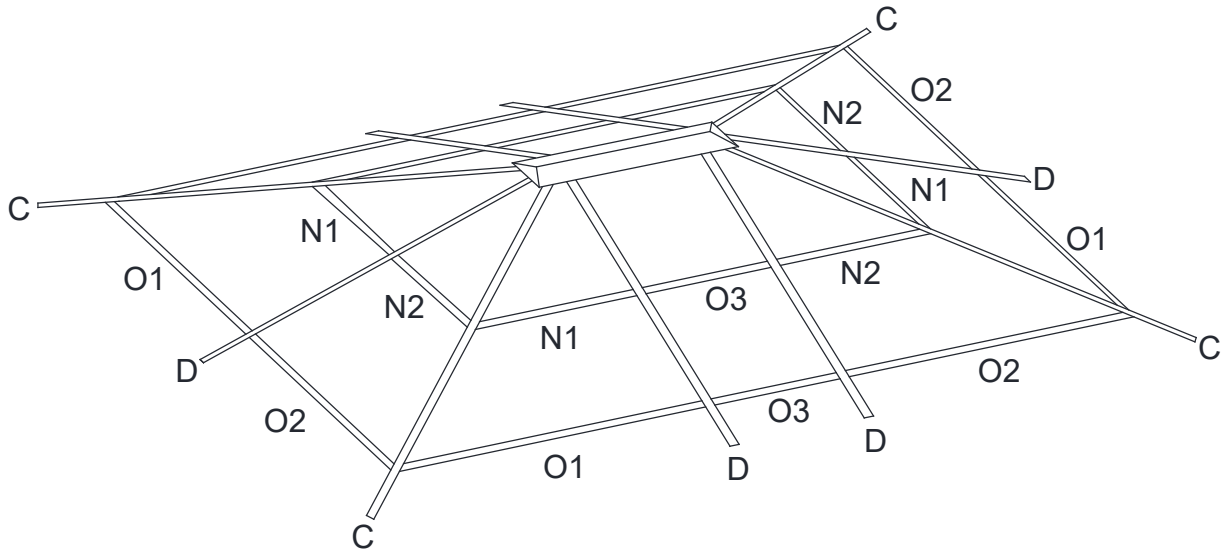


7.1. Connect the Short Top Bar (D) onto the Lower Center Connector (B) by Bolt (AA), then connect the Short Top Bar (D) with the Connector (H) by Bolt (AA).



7.2. Cover the Upper Central Connector (A) over the Lower Central Connector (B) and fix them by Bolt (GG).

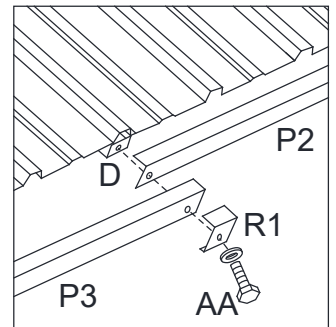
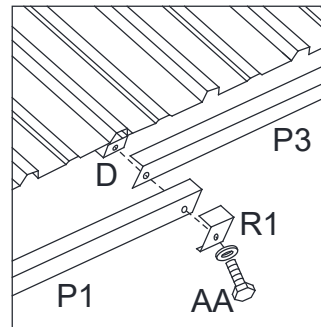
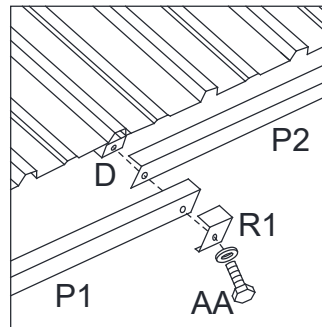
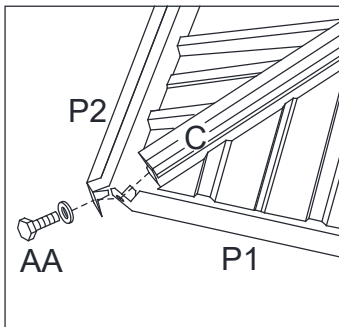
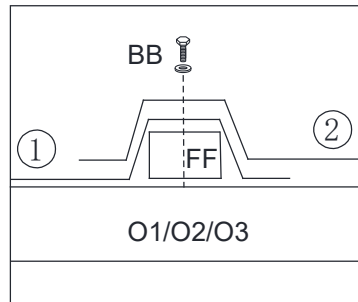
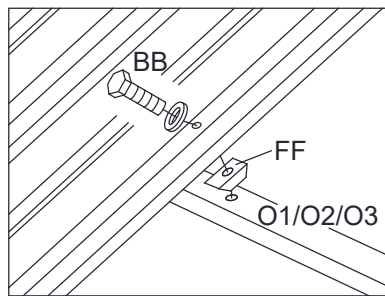
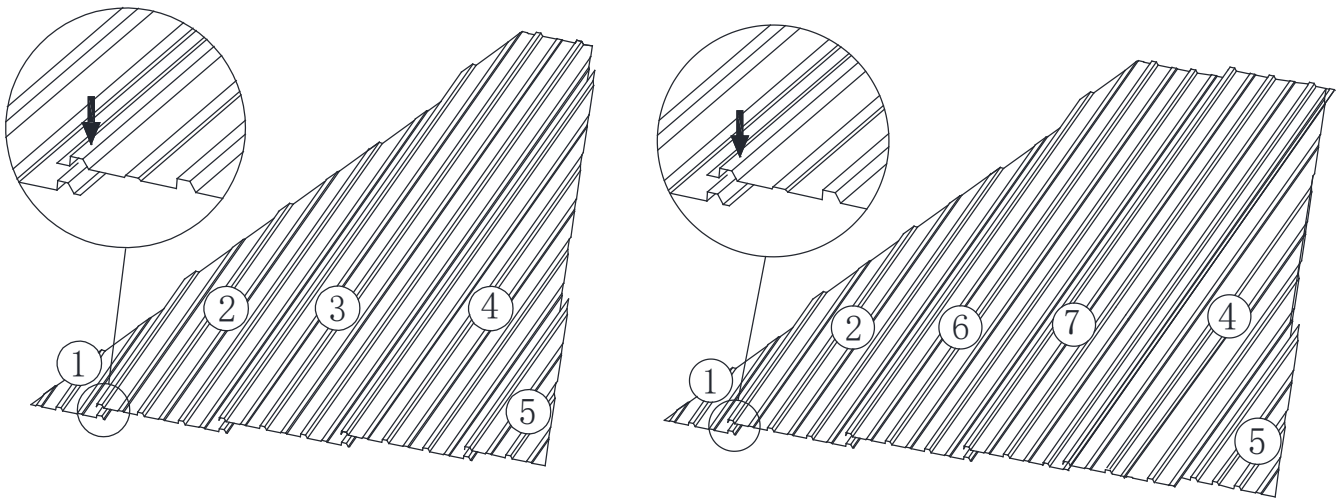
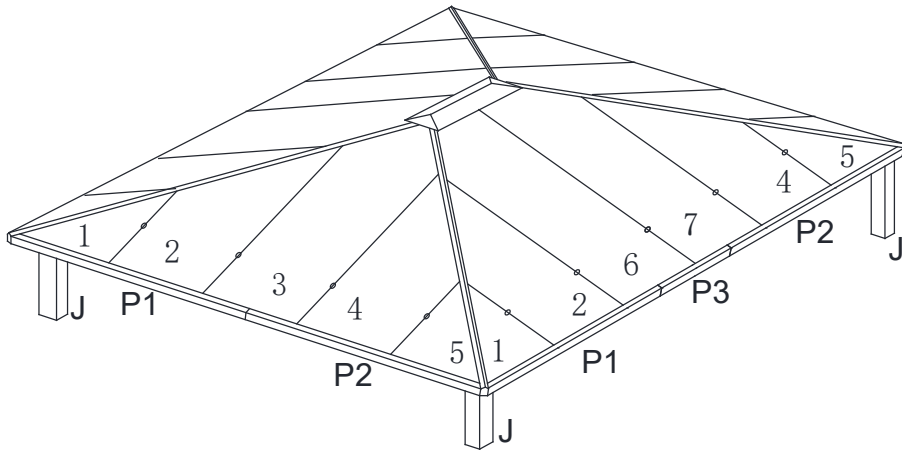
Step 8



8. Connect the Roof Supports (N1/N2/O1/O2) to the Long Top Bar (C) and the Short Top Bar (D) by Bolt (AA), then connect the Roof Supports (N1/N2/O1/O2/O3) to the Long Top Bar (C) and the Short Top Bar (D) by Bolt (AA).

Assembly Instructions

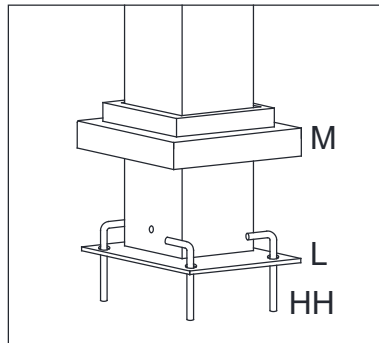
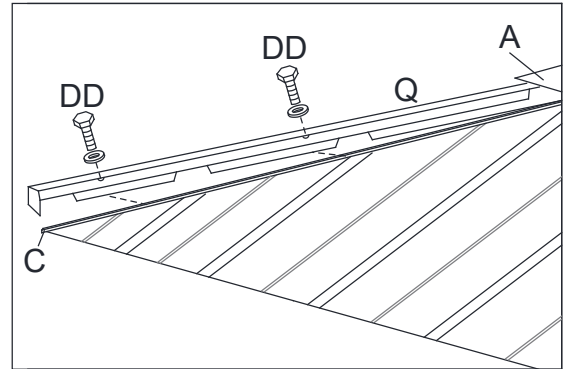
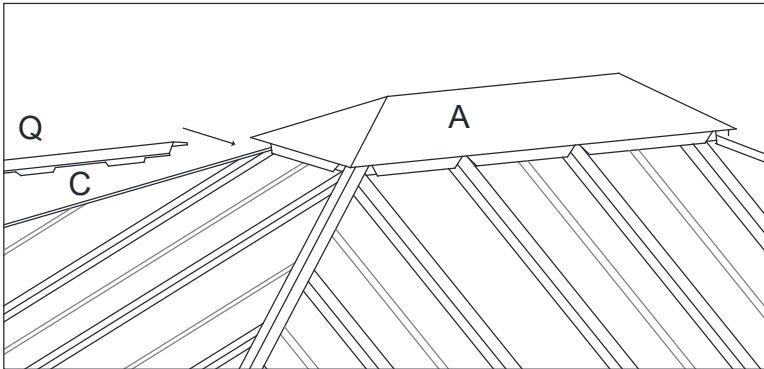
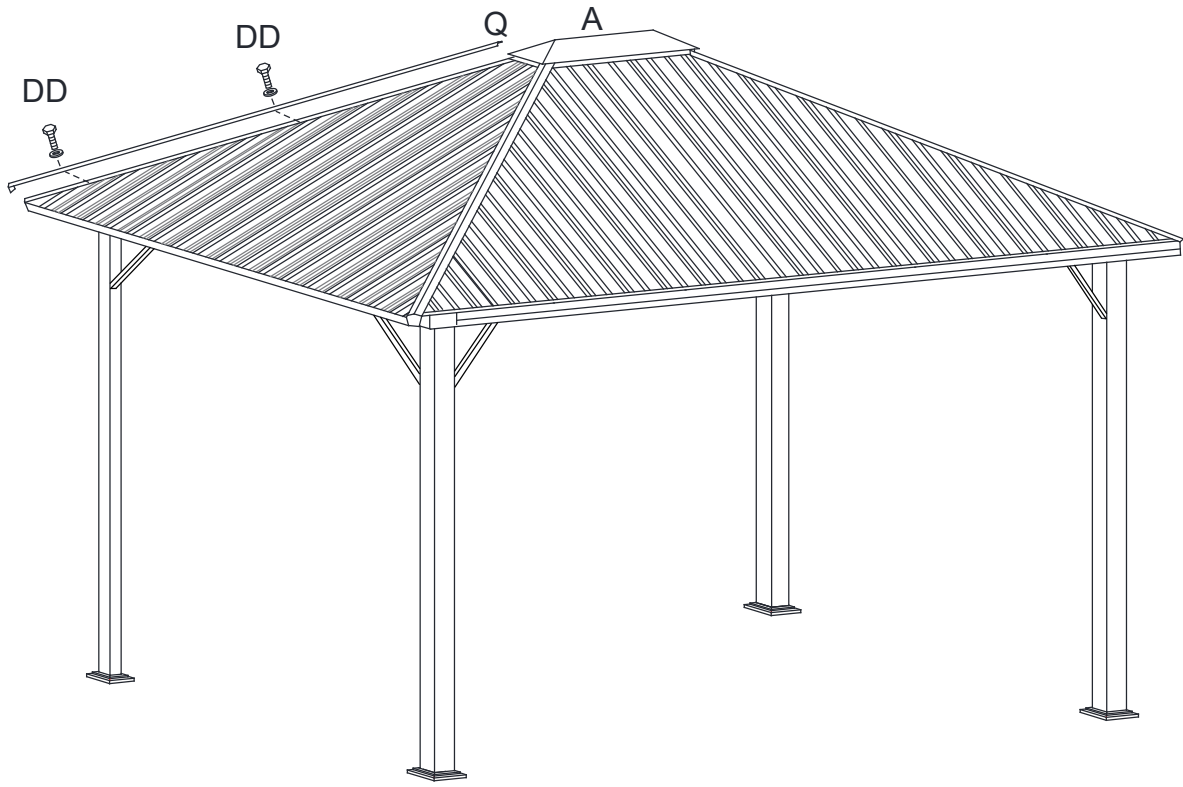
Step 9



9. Connect the hardtop and the Cushion Block (FF) to the Roof Supports (O1/O2/O3) by Bolt (BB), then connect each Roof Borders (P1/P2/P3) with the Long Top Bar (C) and the Short Top Bar (D) in turn by Bolt (AA) as shown in the figure.

Assembly Instructions

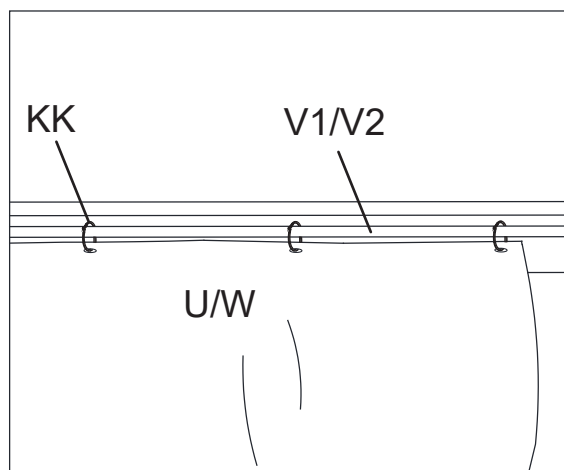
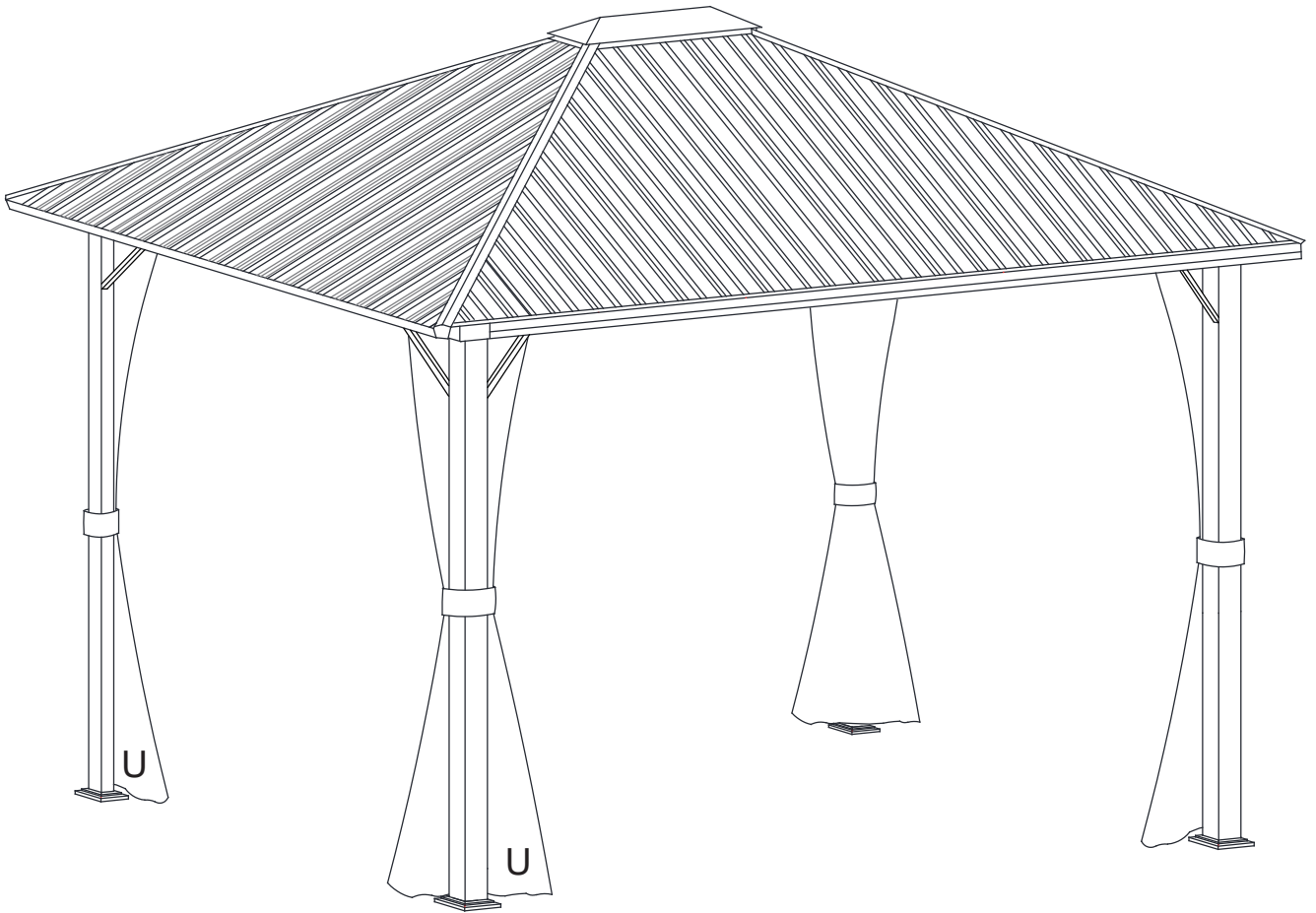
Step 10



10. Fix the Top Panel Cover (Q) onto the Long Top Bar (C) by Bolt (DD), then insert the Stake (HH) into the ground through the Base (L).

Assembly Instructions

Step 11



11. Hang the Sidewall (W) and the Mosquito Net (U) on the Mosquito Net Rod (V1/V2) by the Hanger (KK).