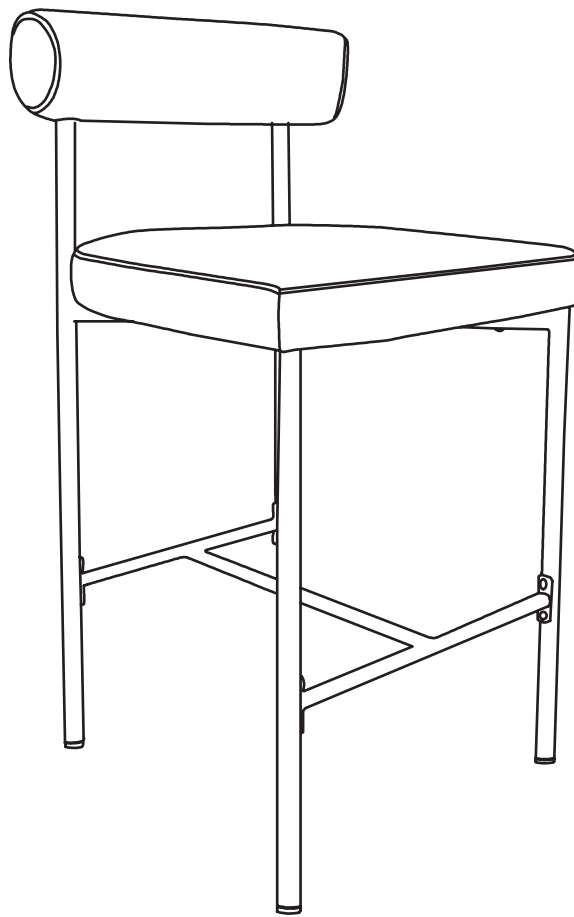


Let's build the

# Bar Stool



## What's included

Description	Qty
A Left Frame Leg	1
B Right Frame Leg	1
C Foot Rest Frame	1
D Seat	1
E Back Rest	1
1 M6*50MM Bolt	4
2 M6*8MM Bolt	2
3 M6*14MM Bolt	8
4 Washer	4
5 Spring Washer	4
6 Big Allen Key	1
7 Small Allen Key	1

### Estimated time for assembly



25:00

### What you need

- Some of your favourite bubbly or your preferred relaxant
- Use the packaging carton as a working surface to prevent product damage during assembly

Do not use a drill



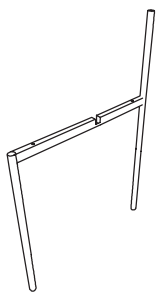
### Weight Limitation



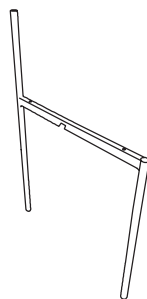
300  
lbs

# The goods

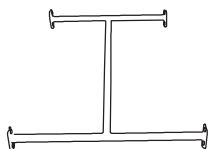
A



B



C



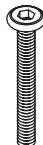
D



E



1



2



3



4



5



6



7



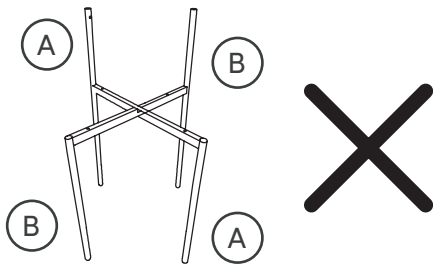
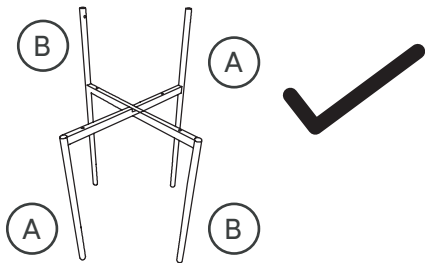
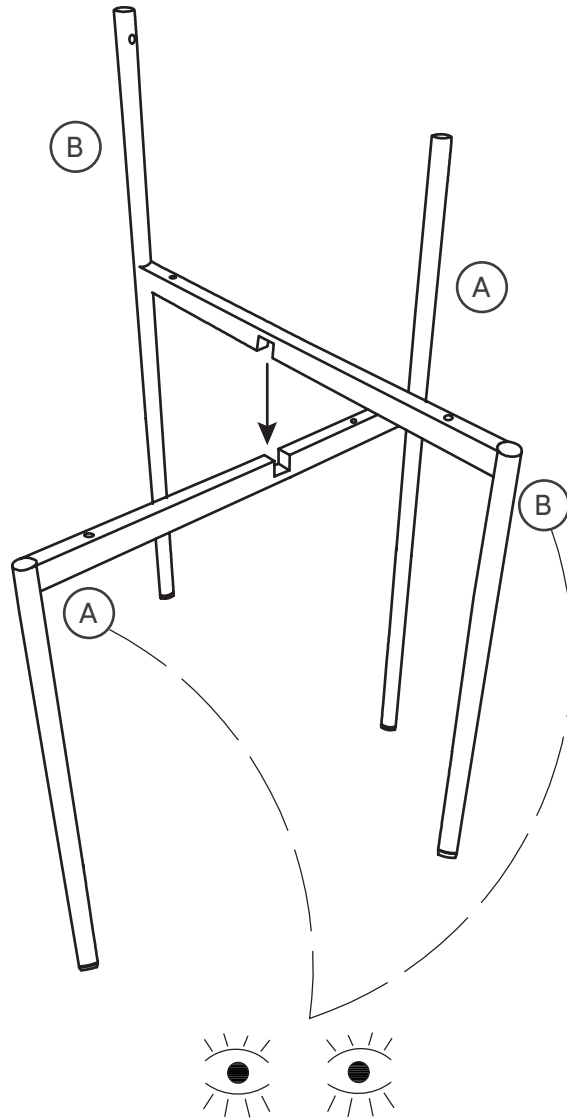
## IMPORTANT

1. Do not tighten bolts / screws completely until all bolts / screws are lined up and inserted into holes.
2. Do not over tighten screws and bolts to avoid stripping.
3. Please use hand tools to assemble this product. Do not use power tools.

# Step 1

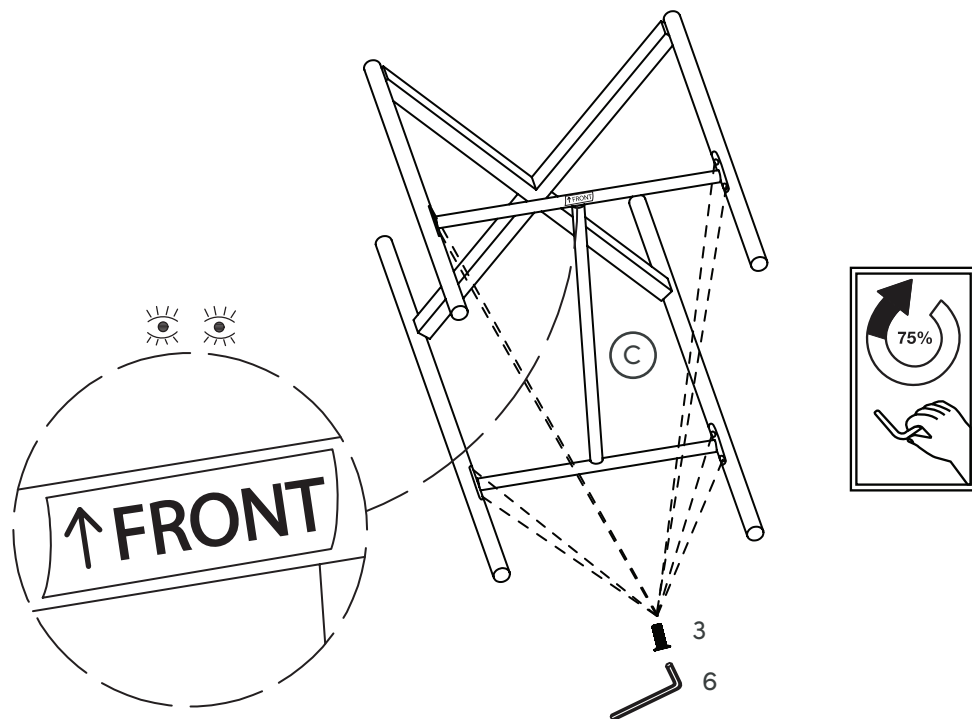
Okay, let's get this thing fired up! Don't worry, we'll get you back to your Netflix show in 25 minutes. You got this!

To start, attach the Frame Legs (A) and (B) together, being extra careful that you've matched them up the right way.



# Step 2

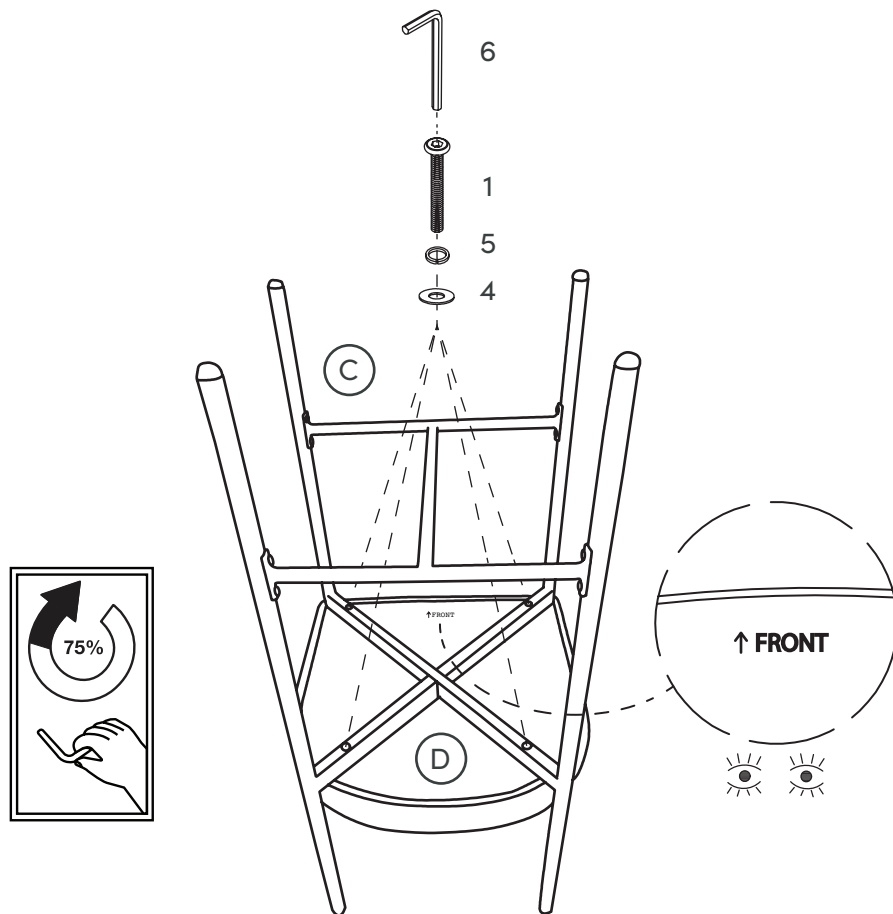
Secure the Foot Rest Frame (C) to the Legs from Step 1 with the M6\*14MM bolts (3) using the Big Allen Key (6). Tighten 75% for now!



# Step 3

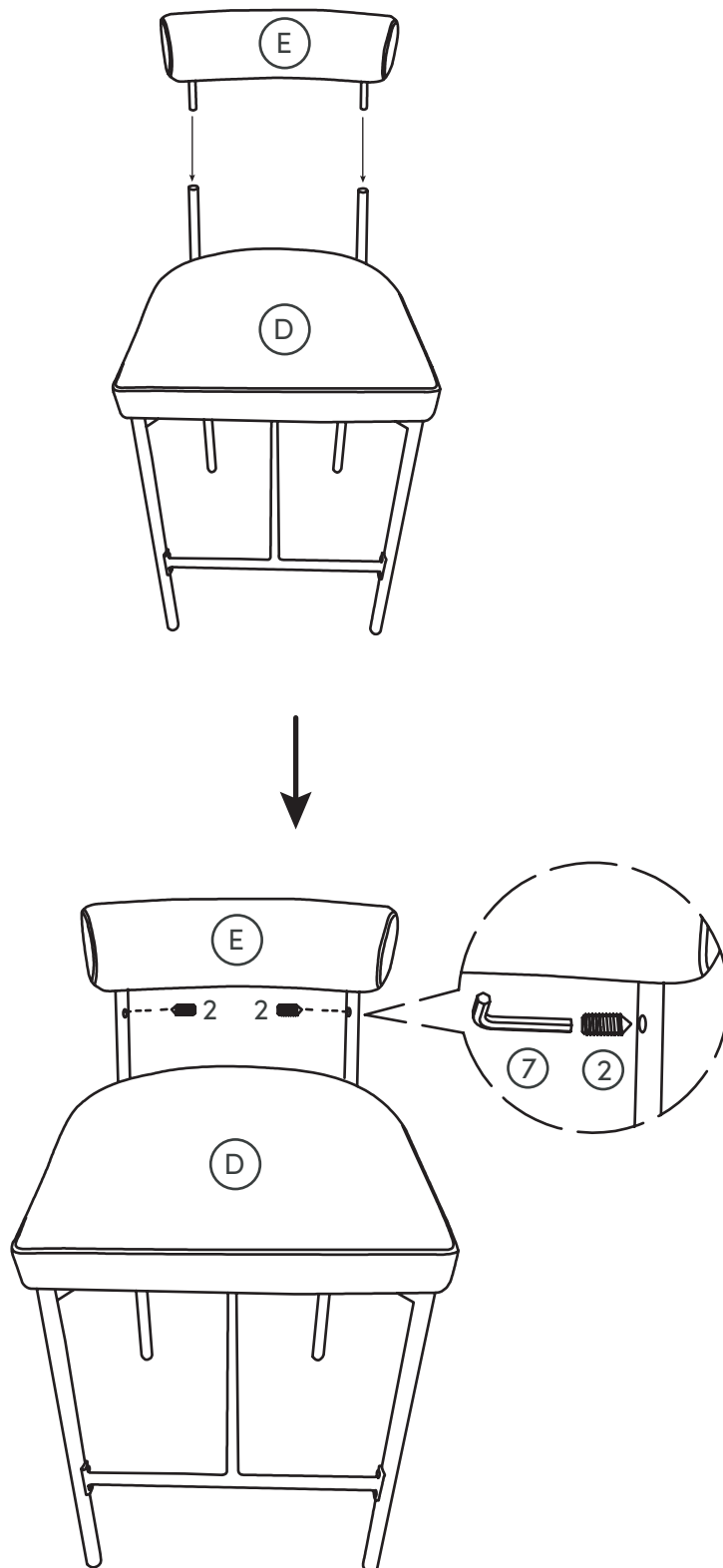
You're within minutes of pressing play on Netflix (or Hulu if that's your thing).

Secure the Seat (D) to the frame. Tighten all bolts 75% for now!



# Step 4

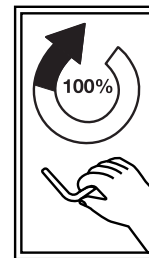
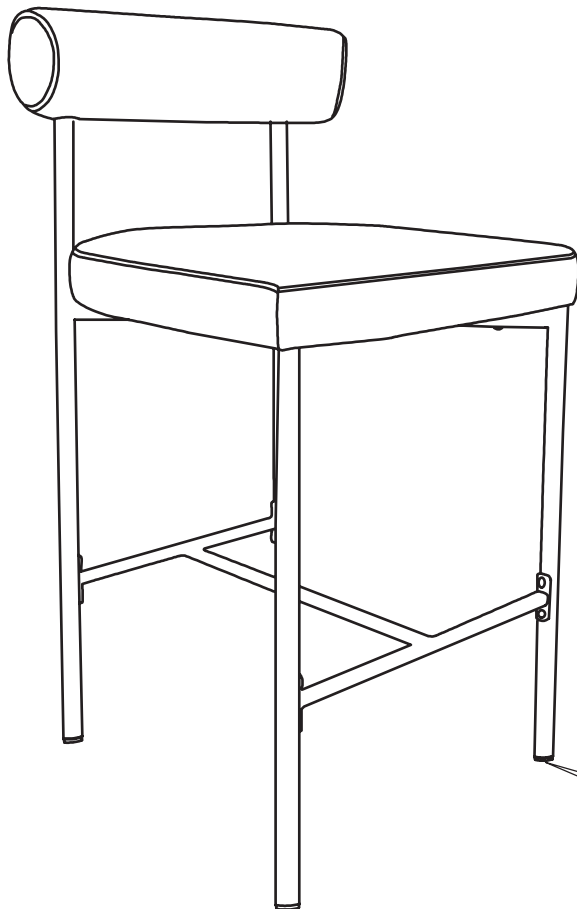
Line up the Back Rest (E) with the back of the Seat (D) and push down. Secure with the M6\*8MM bolts.



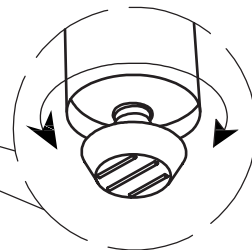
# Step 5

Last, but not least, twist on the floor protectors and tighten all bolts.

And now you're all done! We knew you could do it. Time to treat yourself to a pizza.



**Once ALL bolts are aligned, go ahead and tighten them all to 100% (Including those from Step 1)**



## Our way



Give us a call

---



Replacement

---



You

## Their way



Re-package item

---



Schedule pick up

---



Track package

---



Replacement

---



You

We really don't want you to go through the hassle of re-packaging your item and sending it back, because let's be honest...nobody has time for that.

# Safety first, fun later

We want your Bar Stool to last as long as possible, so we recommend that you tighten the screws 2 weeks after assembly and for added safety check the tightness of all screws every 2 months.

## Safe use of this product starts with you.

Use this Bar Stool responsibly with the primary concern for your safety. Follow assembly instructions carefully and inspect product upon receipt and each use.

and its parent companies cannot be held legally responsible for any injuries or death resulted from failure to follow instructions or improper use of this product.

## Do not modify the structure of this product in any way.

Our products have been tested to meet specific safety measures as they were originally intended to be sold. Any modifications will present the risk of creating significant safety issues which will not be responsible for.

## Proper use

- DO NOT** use for commercial purposes
- DO NOT** frolic on bar stool
- DO NOT** use bar stool as foot stool
- DO NOT** leave spilled liquid on seat
- DO NOT** use bar stool if damaged
- DO NOT** make temporary repairs
- DO NOT** use outdoors