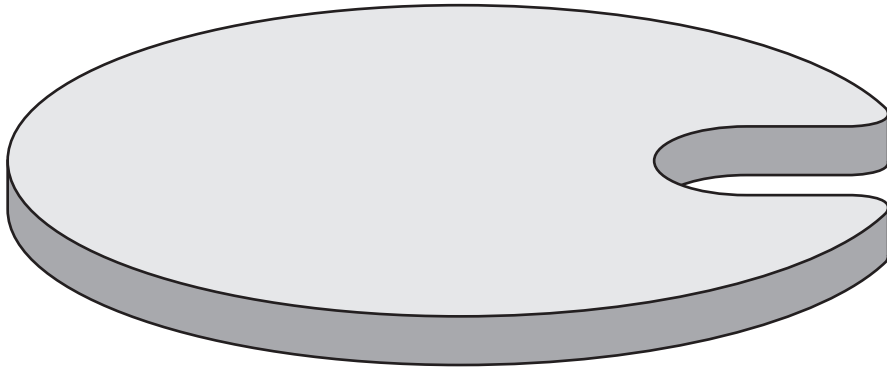
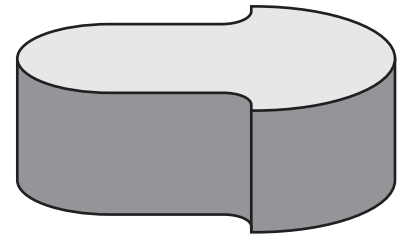


INSTALLATION INSTRUCTIONS

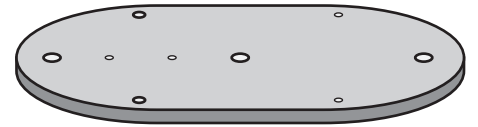
PARTS LIST



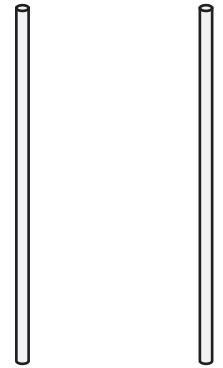
A. Table top



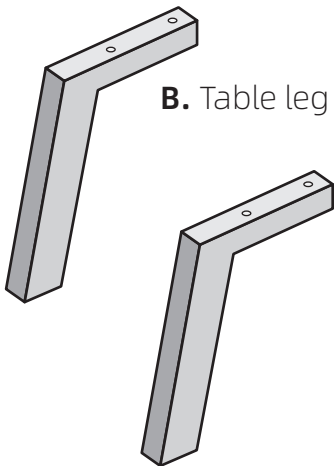
C. Marble decorative pieces



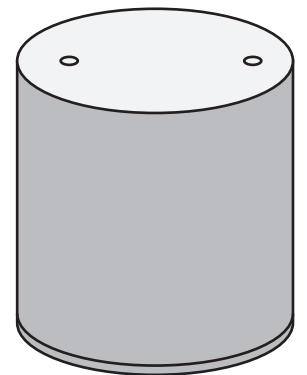
D. Connection plate



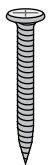
E. Long screw rod



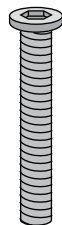
B. Table leg



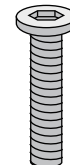
F. Base



Tapping screw ×4



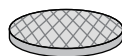
Screw(1) ×4



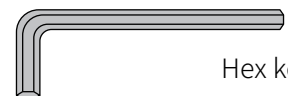
Screw(2) ×3



Nut cap ×2



Non-slip mat ×2

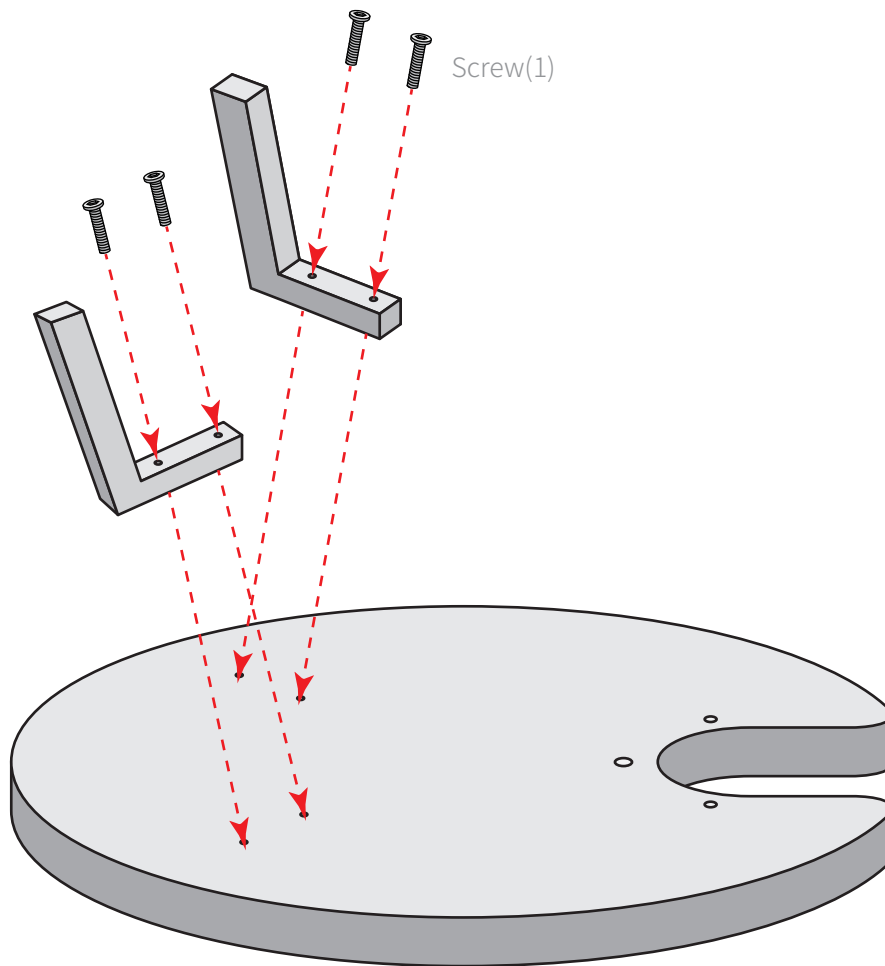


Hex key

The extra parts are for spare

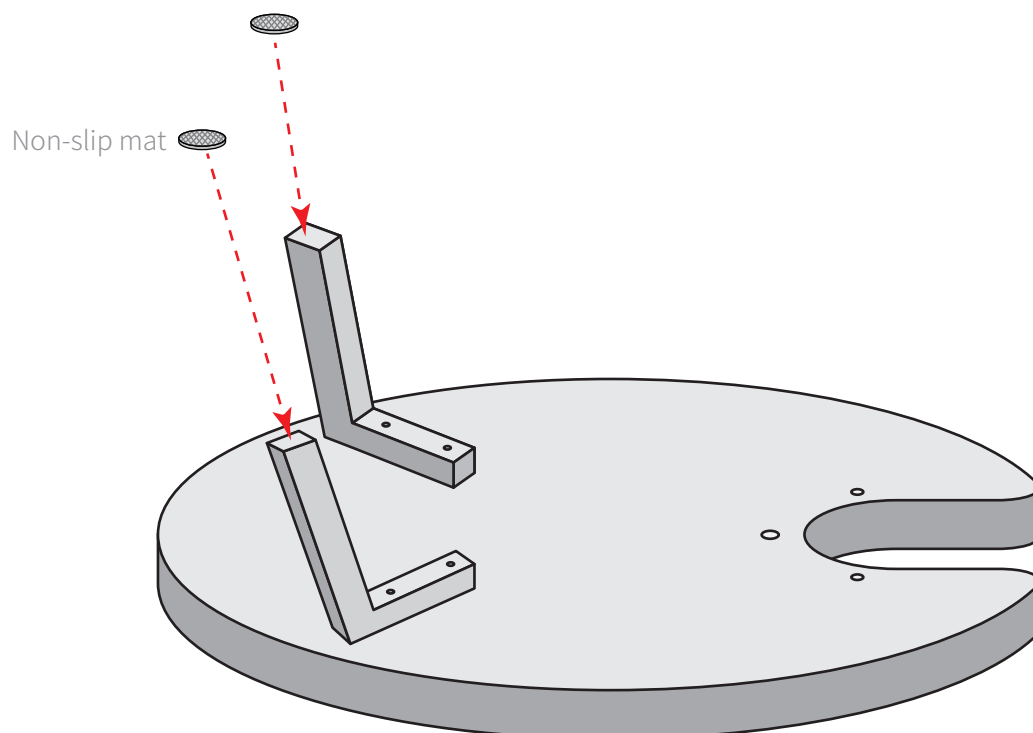
STEP 1

Install the table legs onto the bottom of the table and secure them with screws(1).



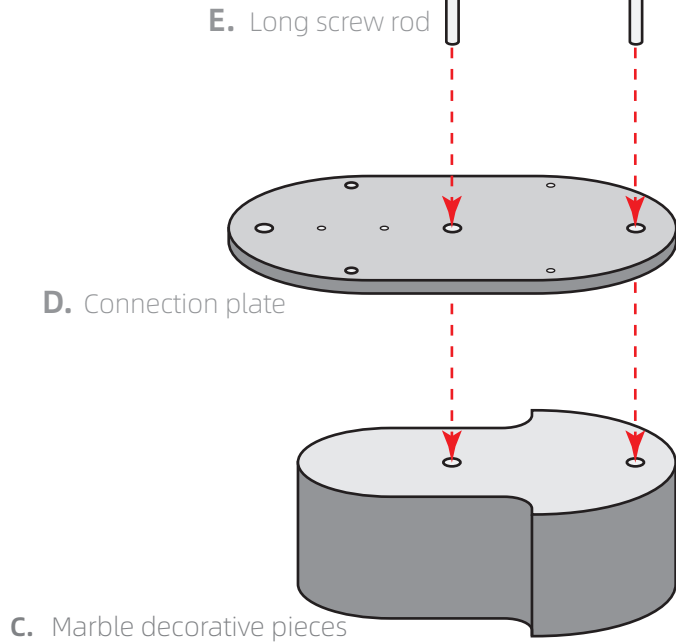
STEP 2

Attach the anti-slip mat to the bottom of the table legs



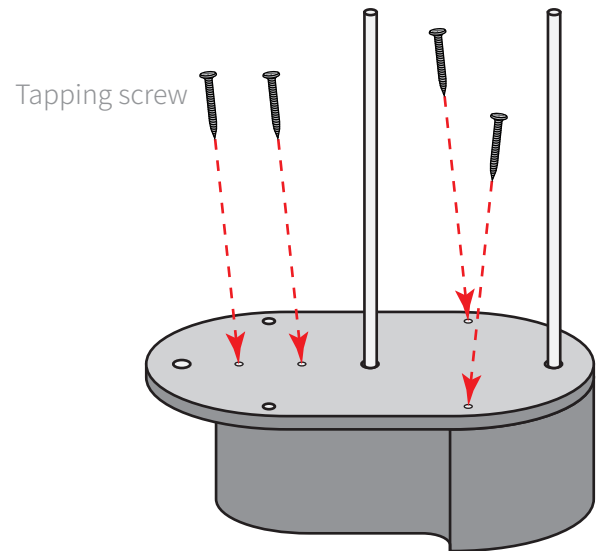
STEP 3

Install #E and #D onto #C



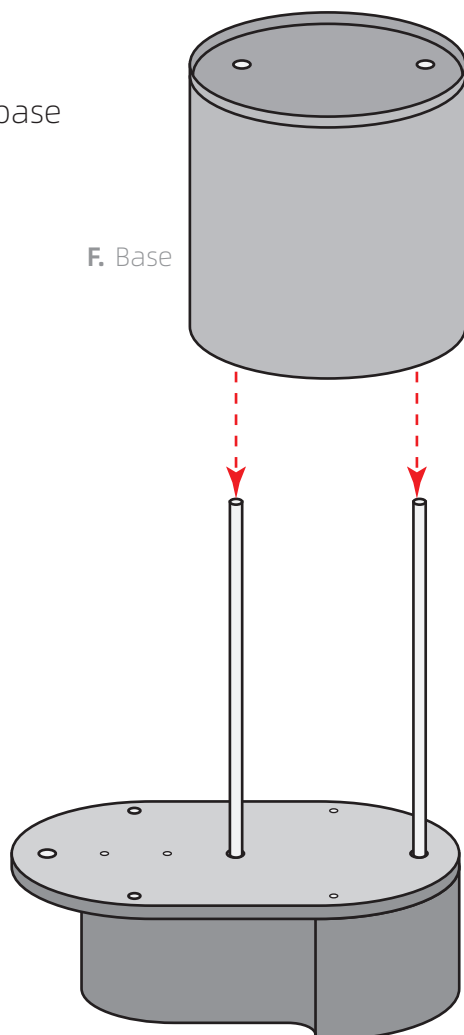
STEP 4

Fix the #D Connection plate with self-tapping screws.



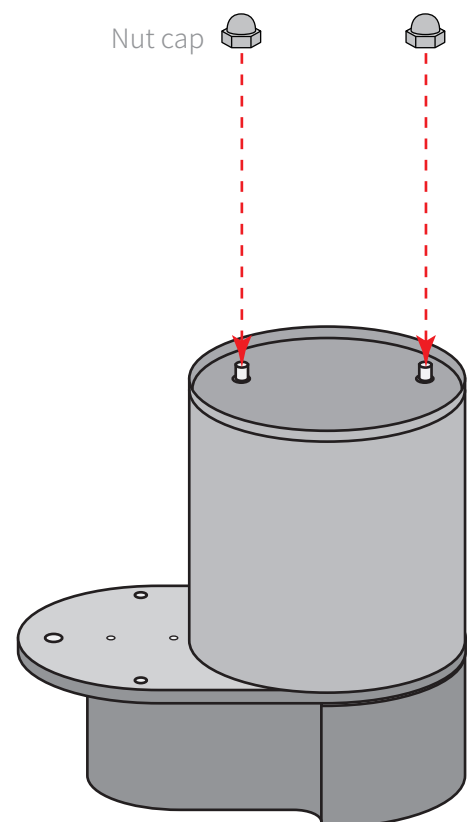
STEP 5

Install the #F base



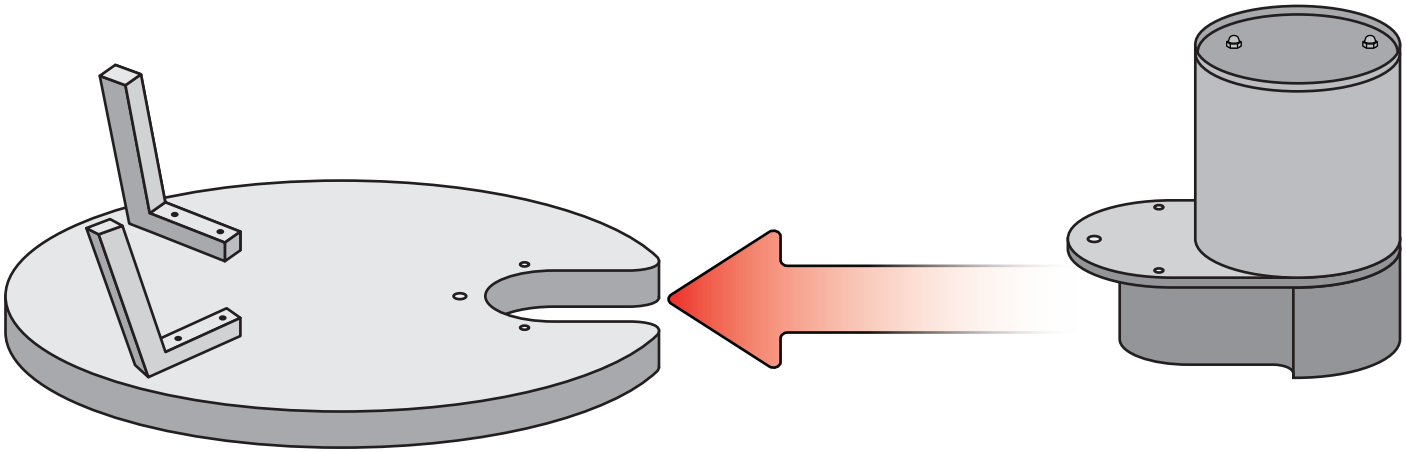
STEP 6

Fix with a nut cap



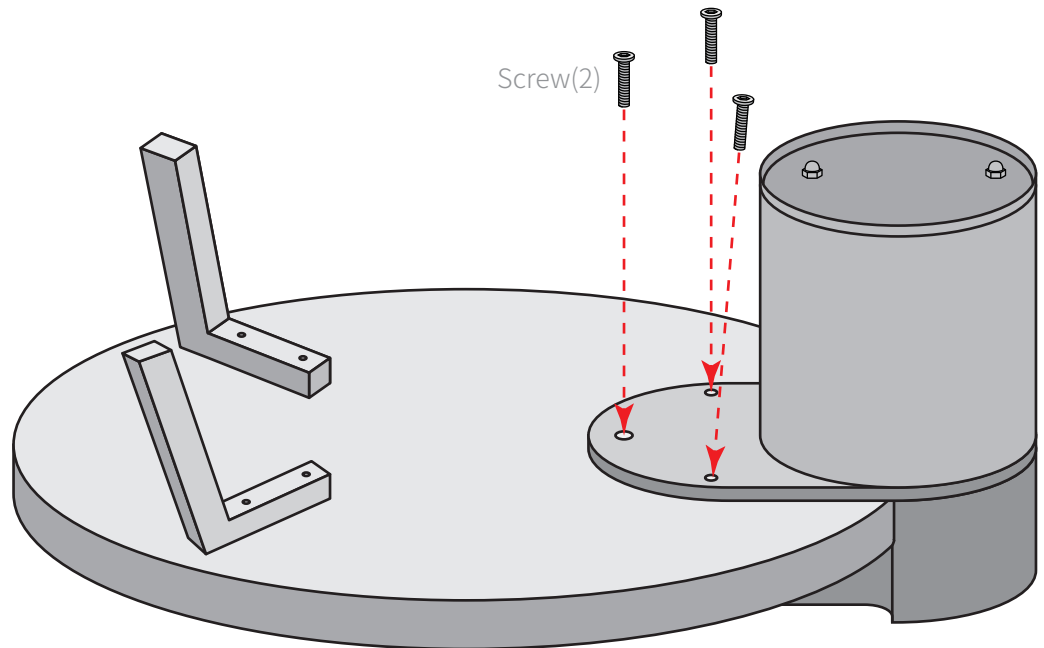
STEP 7

Assemble them together



STEP 8

Fix with screws(2)



Installation completed

