

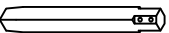




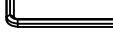
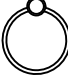

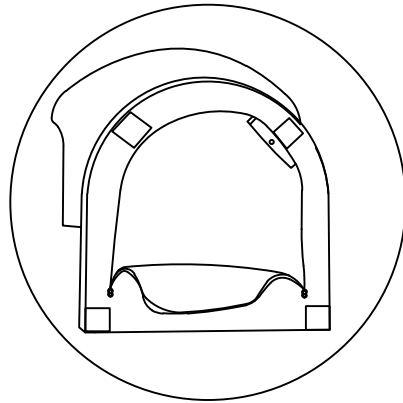


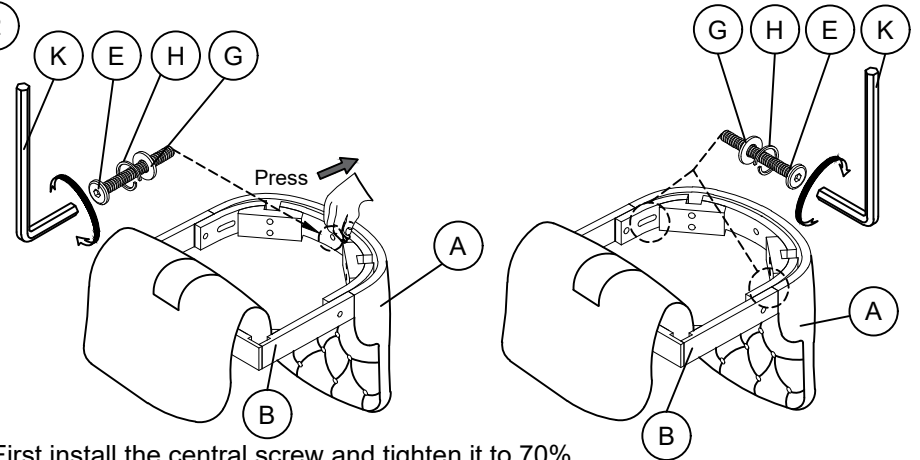
ASSEMBLY INSTRUCTIONS

Ax1PC	 Backrest
Bx1PC	 Seat
Cx2PCS	 Front leg
Dx2PCS	 Rear leg
Ex11PCS	5/16*50mm  Screw
Hx11PCS	5/16  Spring washer
Gx11PCS	5/16*24mm  Flat washer
Kx1PC	5mm  Allen key
Lx1PC	 Screw Ring
Mx4PCS	30*30mm  Spare Felt Pads for flooring protection

1 The legs are hidden under the seat frame

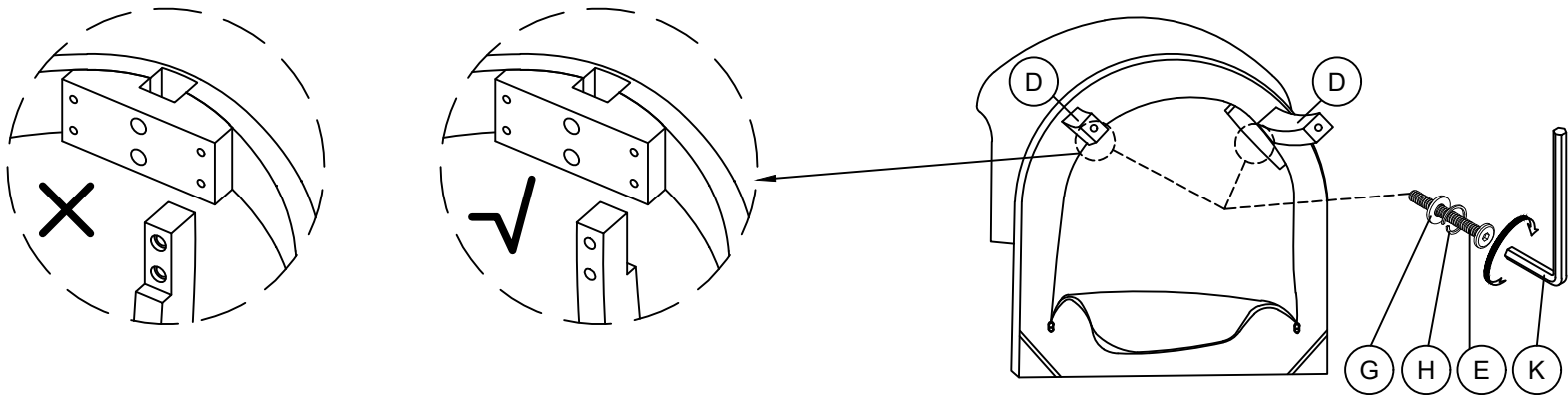


2



First install the central screw and tighten it to 70%, then install the screws on both sides and tighten them to 80%

3

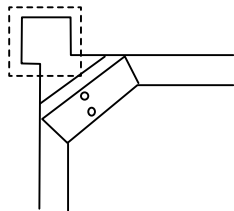


Tighten all the screws to 80% of maximum tightness

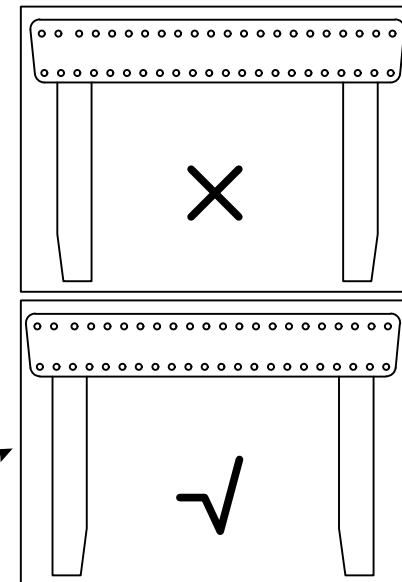
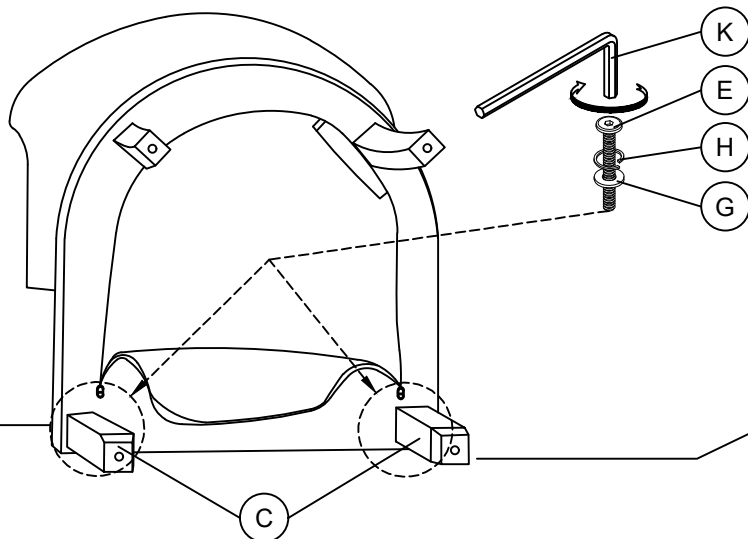
WARNING

DO NOT STAND ON THE PRODUCT, DO NOT USE THIS PRODUCT AS A STEP LADDER.
DO NOT USE THIS PRODUCT UNLESS ALL BOLTS, SCREWS AND KNOBS ARE FIRMLY SECURED.
PLEASE DO NOT USE KNIFE TO OPEN ANY OF THE BOX OR PRODUCT.

4



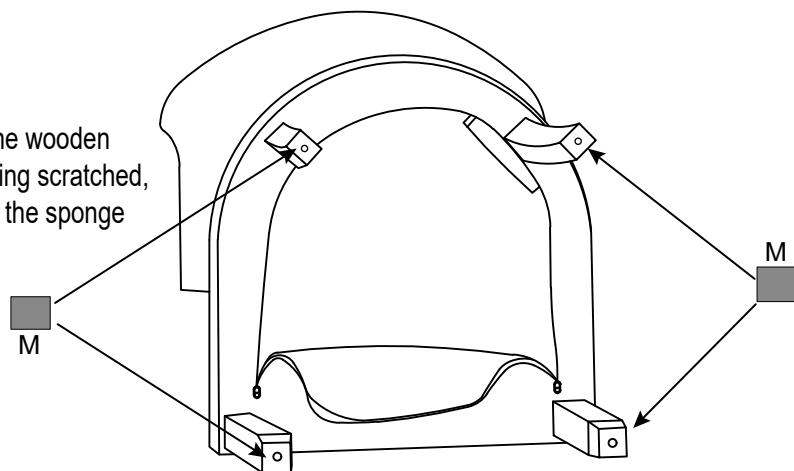
Put the front leg in the dotted box place, if you put it in the wrong place, it still can work, but the uneven force will cause the leg to break.



Tighten all the screws to 80% of maximum tightness

5

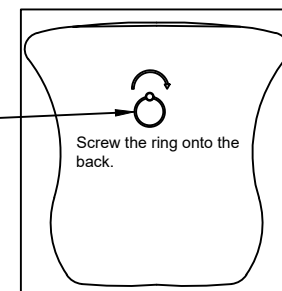
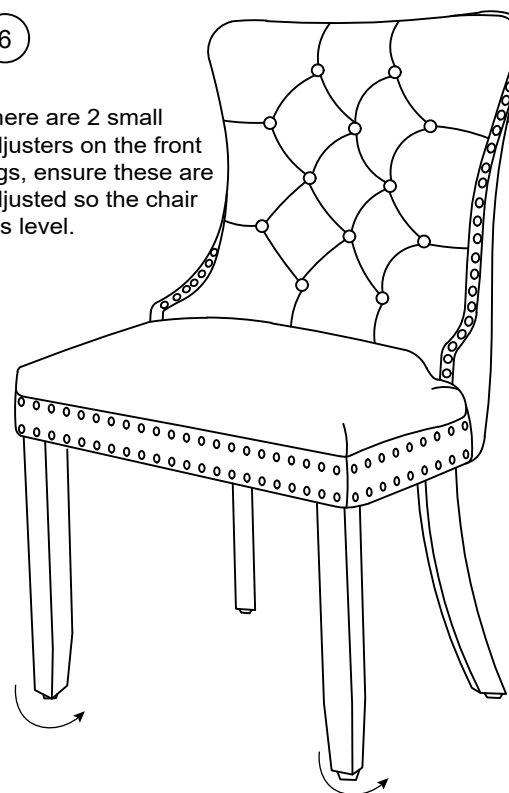
To prevent the wooden floor from being scratched, please place the sponge pad M on it.



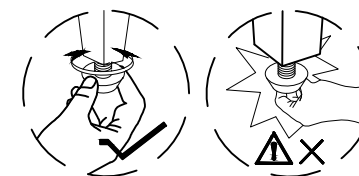
1. Carefully sit on the chair and make adjustments to ensure the legs are flat even on the floor.
2. Tighten all the screws to 100% of maximum tightness.
3. Close the zipper of bottom Non-Woven fabric.

6

There are 2 small adjusters on the front legs, ensure these are adjusted so the chair sits level.



Screw the ring onto the back.



Tighten one and loosen the other to adjust to level.